



US00D568536S

(12) **United States Design Patent**
Rhoad et al.

(10) **Patent No.:** **US D568,536 S**

(45) **Date of Patent:** **** May 6, 2008**

(54) **SAFETY RAZOR**

(75) Inventors: **Wes Rhoad**, Hamden, CT (US); **Jessica Jiang**, Guangzhou (CN)

(73) Assignee: **Eveready Battery Company, Inc.**, St. Louis, MO (US)

(**) Term: **14 Years**

(21) Appl. No.: **29/291,425**

(22) Filed: **Aug. 27, 2007**

(51) **LOC (8) Cl.** **28-03**

(52) **U.S. Cl.** **D28/46**

(58) **Field of Classification Search** D28/44-54;
30/30, 32, 34.05, 34.1, 34.2, 41, 44-45, 43-43.92,
30/47-51, 57-58, 346.5-346.61, 526-527,
30/532, 533, 537-540

See application file for complete search history.

(56) **References Cited**

U.S. PATENT DOCUMENTS

D254,692 S * 4/1980 Del Re D28/46
D260,303 S * 8/1981 Wordtmann D28/46
D279,824 S * 7/1985 Halm D28/48

5,031,319 A * 7/1991 Althaus et al. 30/526
5,421,286 A * 6/1995 McLean 30/41.7
D389,272 S * 1/1998 Ryu D28/46
D407,529 S * 3/1999 May D28/46

* cited by examiner

Primary Examiner—Jennifer Rivard

(74) *Attorney, Agent, or Firm*—Michaud-Duffy Group LLP

(57) **CLAIM**

The ornamental design for the safety razor, as shown and described.

DESCRIPTION

FIG. 1 is a rear perspective view of the safety razor.

FIG. 2 is a front perspective view of the safety razor.

FIG. 3 is a rear elevation view of the safety razor.

FIG. 4 is a front elevation view of the safety razor.

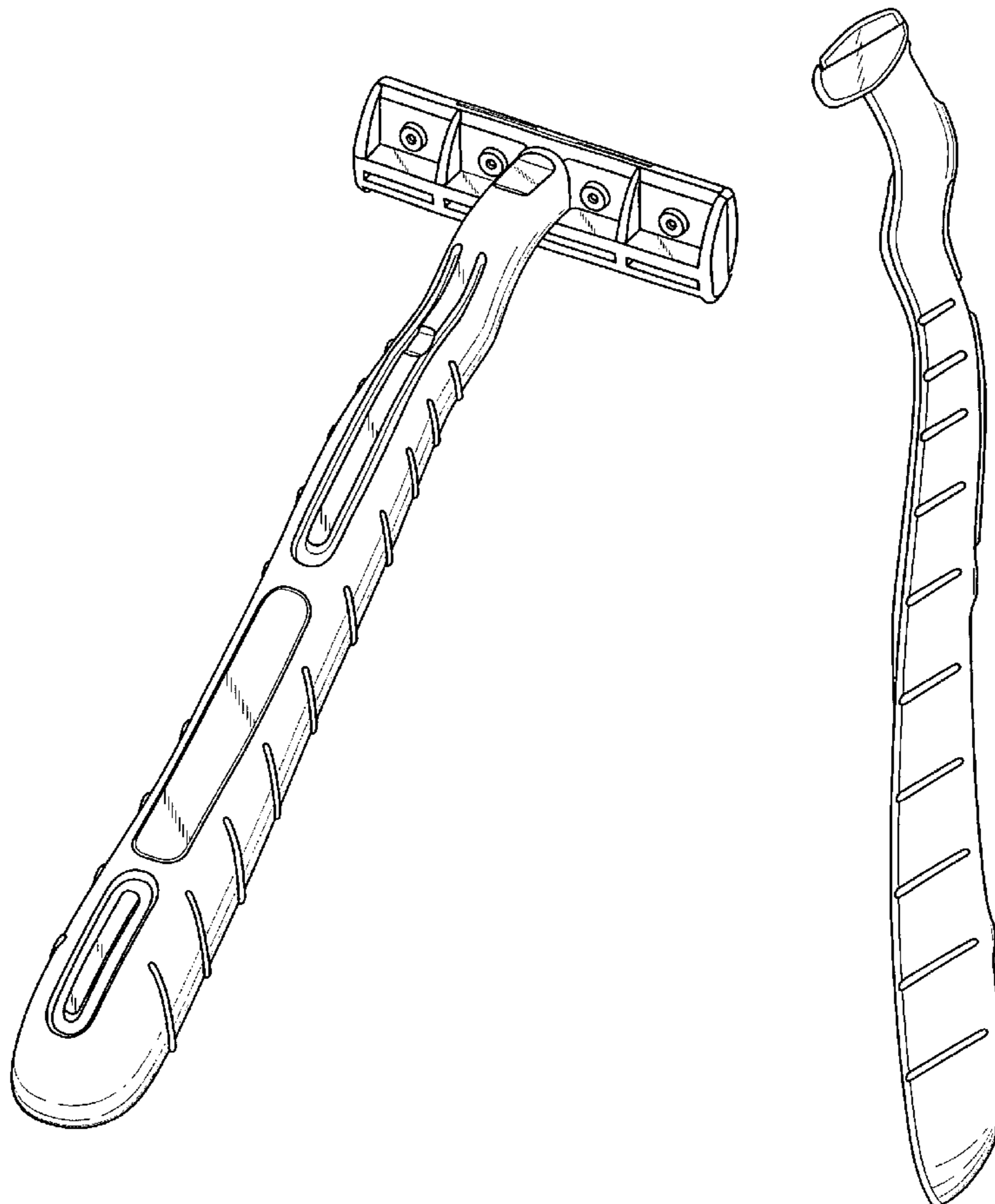
FIG. 5 is a left view of FIG. 4.

FIG. 6 is a right view of FIG. 4.

FIG. 7 is a lower end view of FIG. 4; and,

FIG. 8 is an upper end view of FIG. 4.

1 Claim, 6 Drawing Sheets



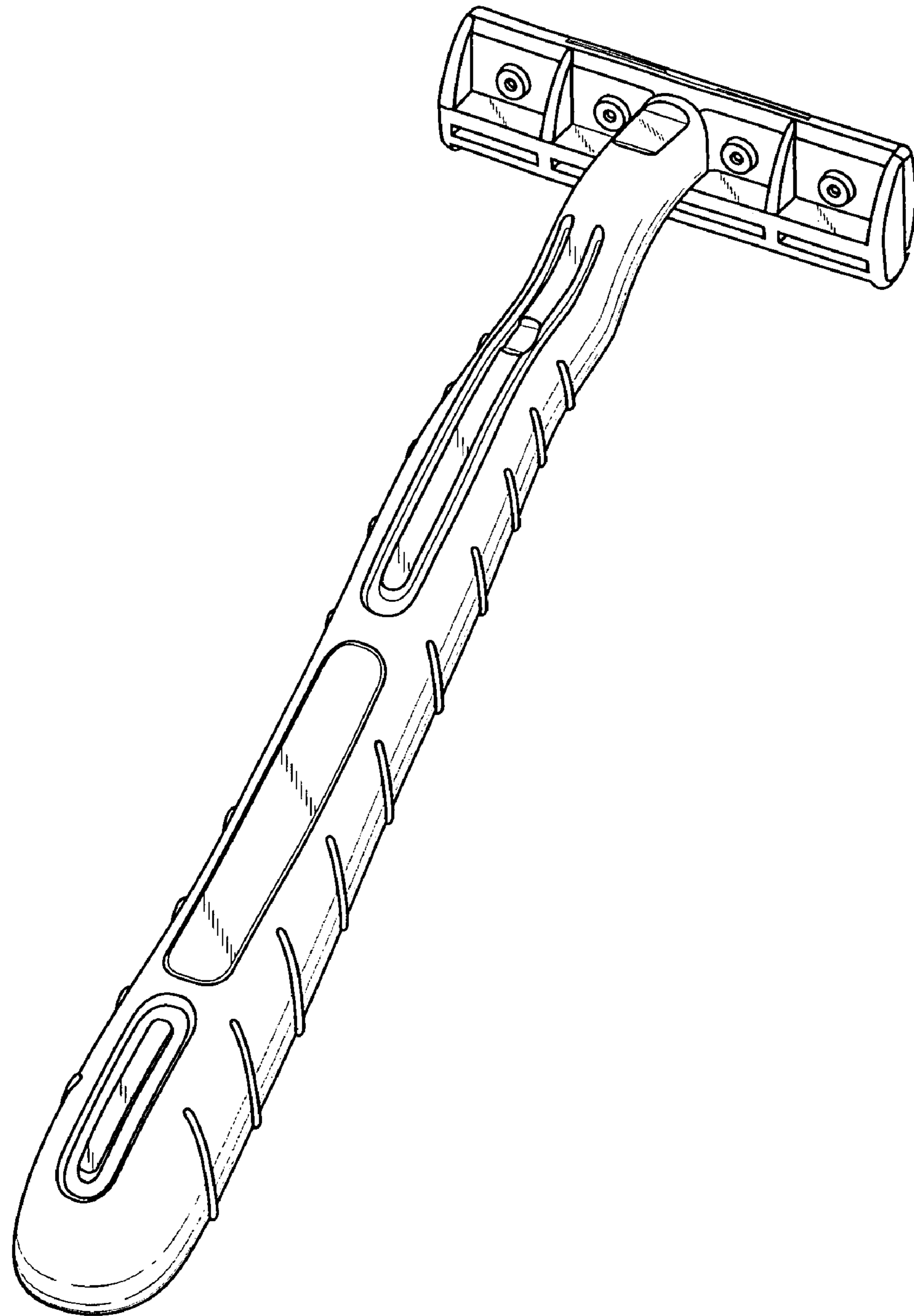


Fig. 1

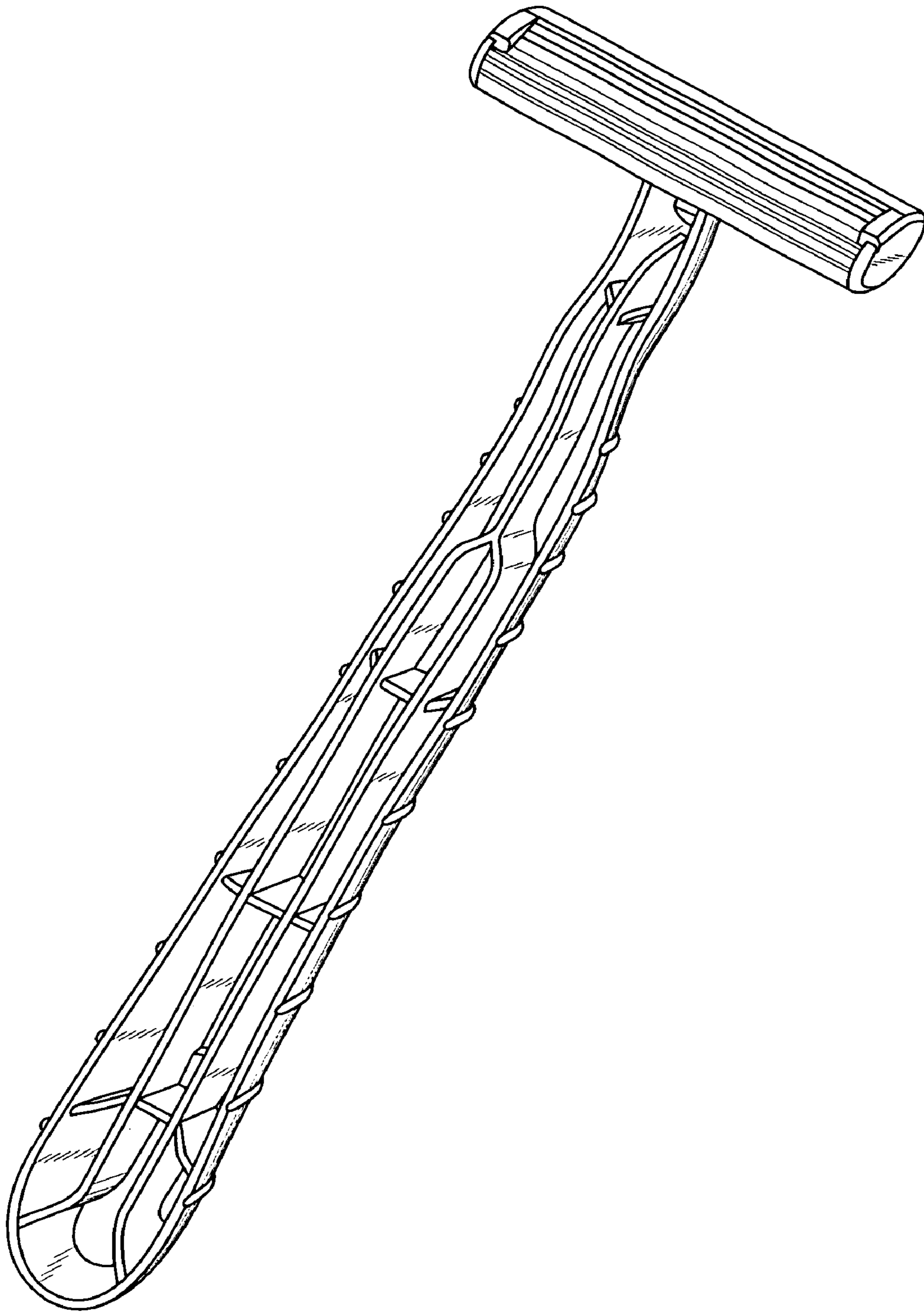


Fig. 2

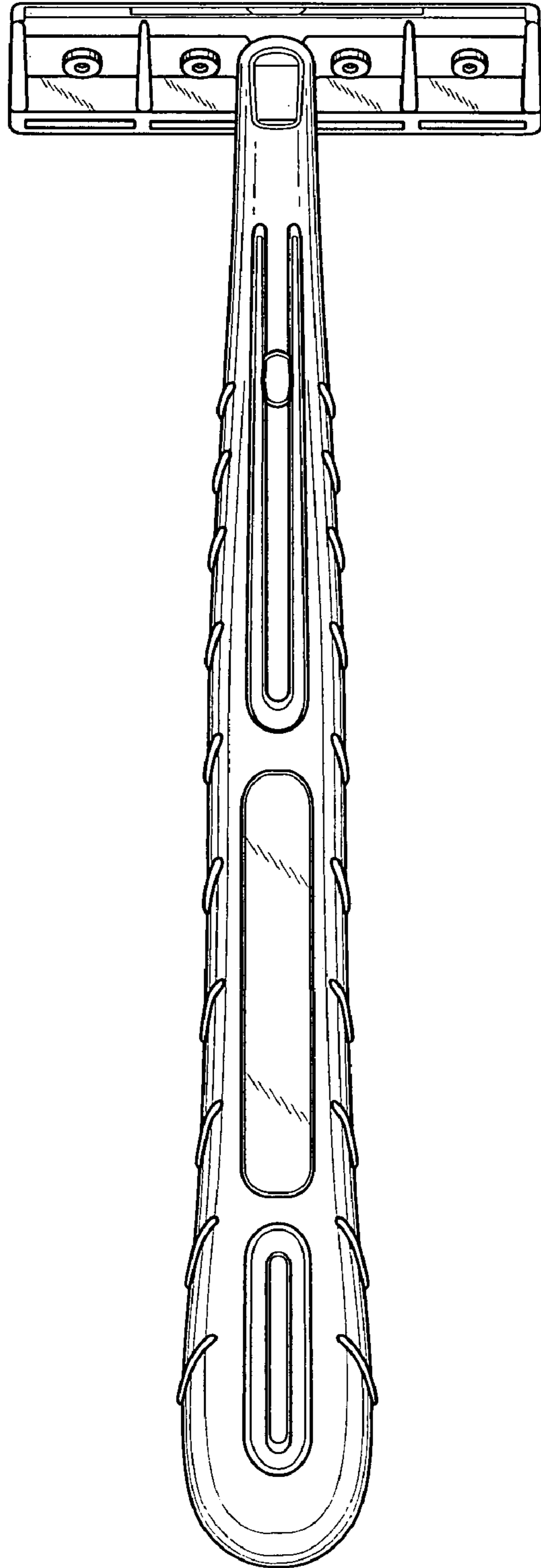


Fig. 3

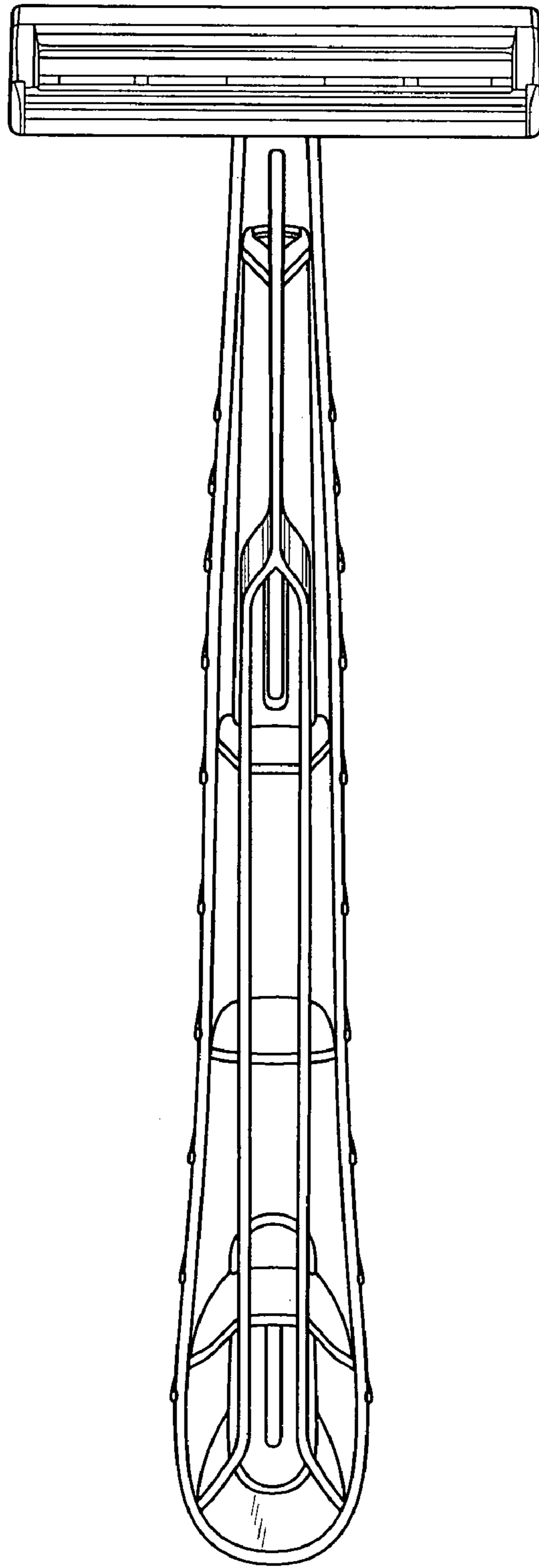


Fig. 4

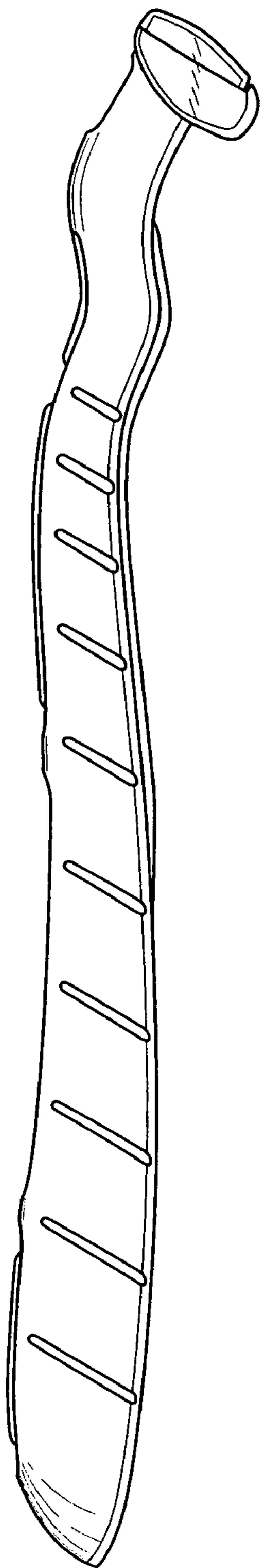


Fig. 5

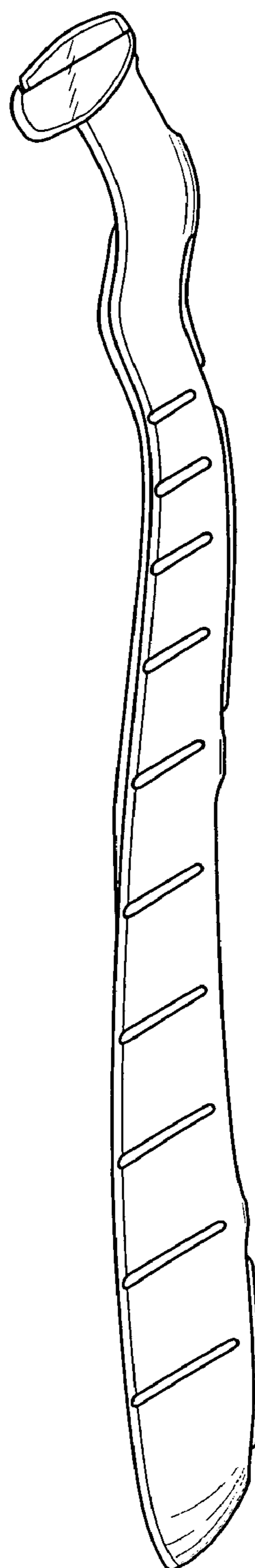


Fig. 6

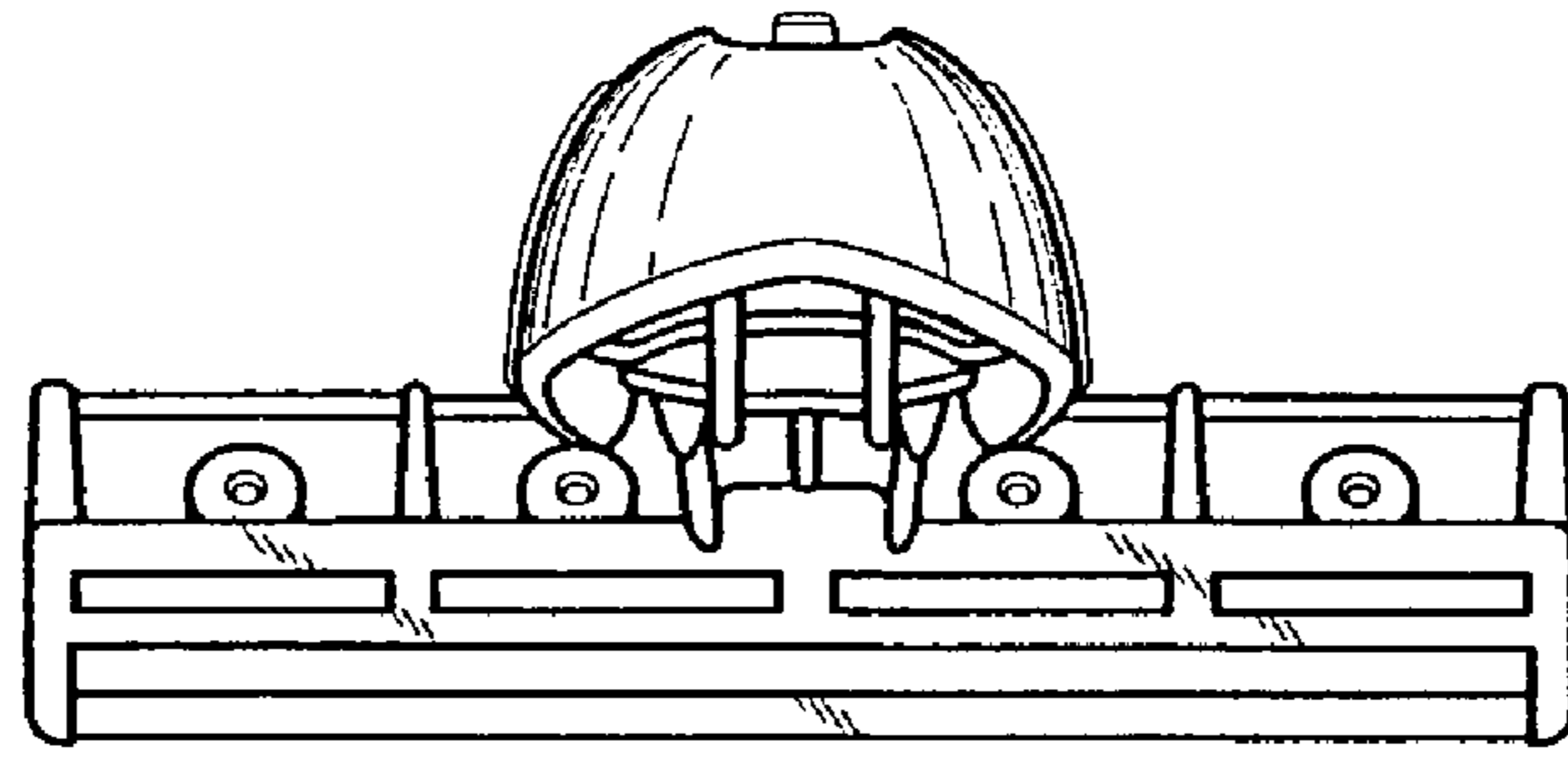


Fig. 7

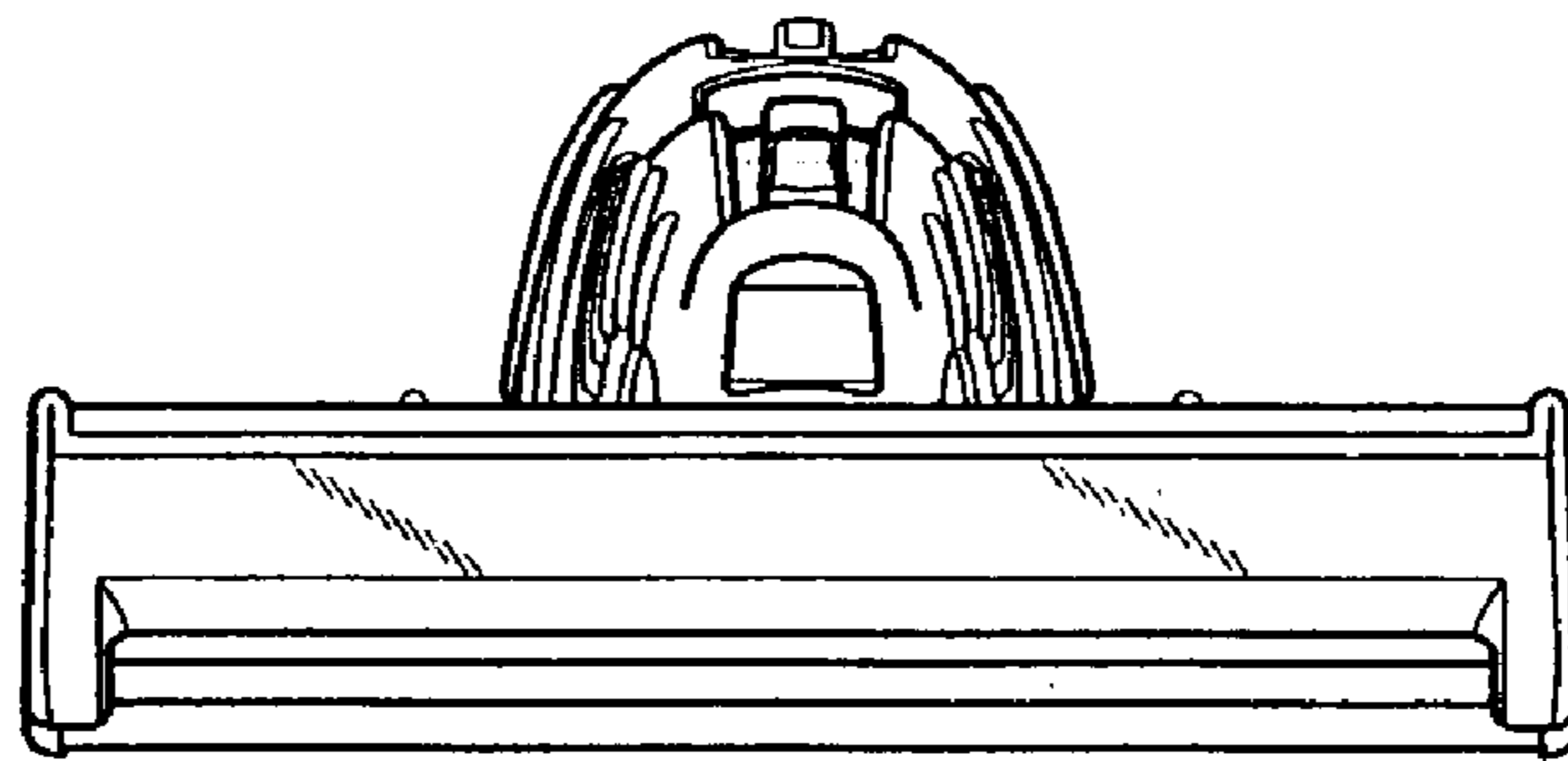


Fig. 8