



US00D568535S

(12) **United States Design Patent**  
**Rhoad et al.**

(10) **Patent No.:** **US D568,535 S**

(45) **Date of Patent:** **\*\* May 6, 2008**

(54) **SAFETY RAZOR**

(75) Inventors: **Wes Rhoad**, Hamden, CT (US); **Jessica Jiang**, Guangzhou (CN)

(73) Assignee: **Eveready Battery Company, Inc.**, St. Louis, MO (US)

(\*\*) Term: **14 Years**

(21) Appl. No.: **29/291,423**

(22) Filed: **Aug. 27, 2007**

(51) **LOC (8) Cl.** ..... **28-03**

(52) **U.S. Cl.** ..... **D28/46**

(58) **Field of Classification Search** ..... D28/44-54;  
30/30, 32, 34.05, 34.1, 34.2, 41, 44-45, 43-43.92,  
30/47-51, 57-58, 346.5-346.61, 526-527,  
30/532, 533, 537-540

See application file for complete search history.

(56) **References Cited**

**U.S. PATENT DOCUMENTS**

- D254,692 S \* 4/1980 Del Re ..... D28/46
- D260,303 S \* 8/1981 Wordtmann ..... D28/46
- D279,824 S \* 7/1985 Halm ..... D28/48
- 5,031,319 A \* 7/1991 Althaus et al. .... 30/526

- 5,421,286 A \* 6/1995 McLean ..... 30/41.7
- 5,461,781 A \* 10/1995 Pirc ..... 30/41
- D389,272 S \* 1/1998 Ryu ..... D28/46
- D407,529 S \* 3/1999 May ..... D28/46

\* cited by examiner

*Primary Examiner*—Jennifer Rivard

(74) *Attorney, Agent, or Firm*—Michaud-Duffy Group LLP

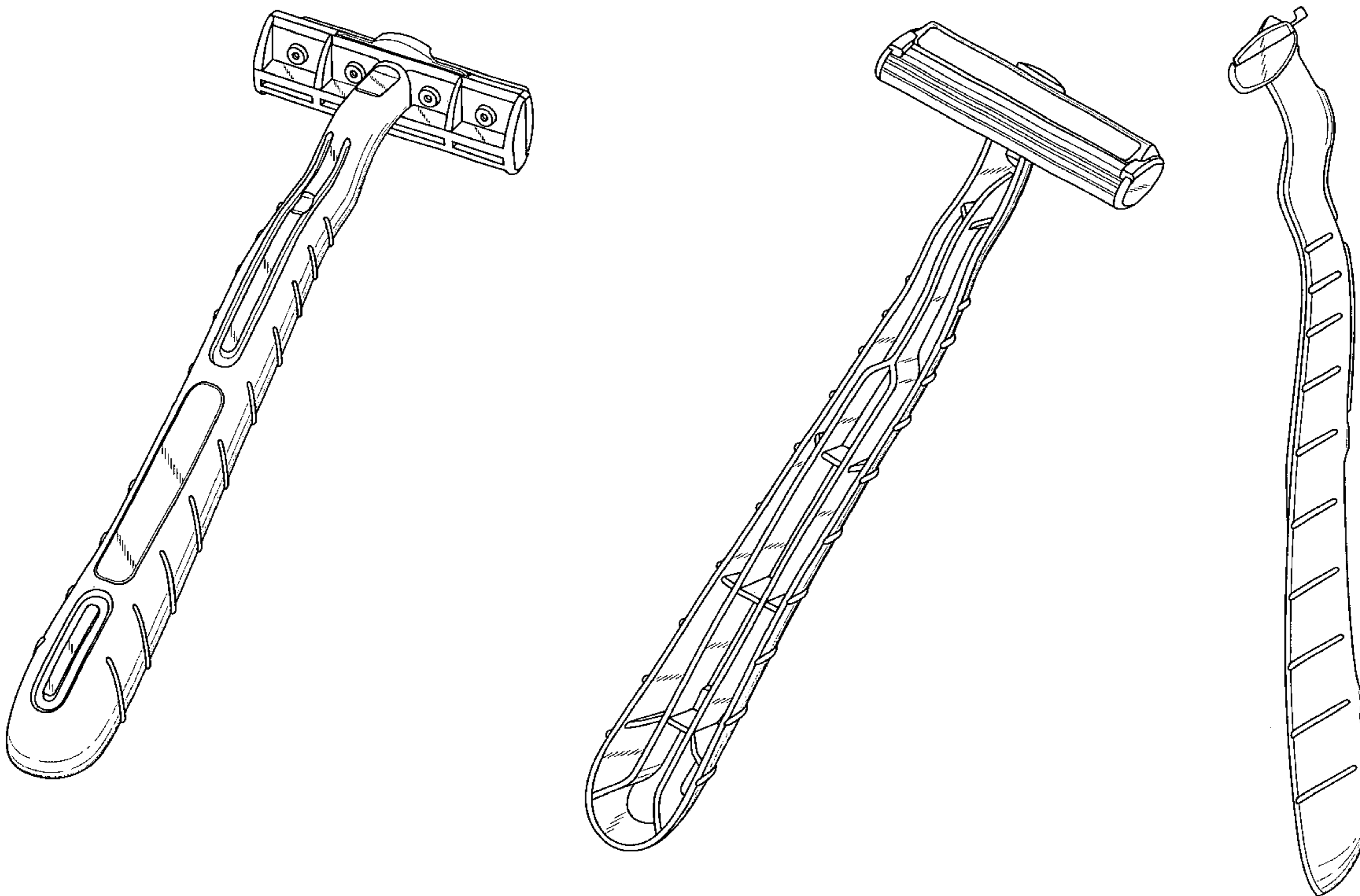
(57) **CLAIM**

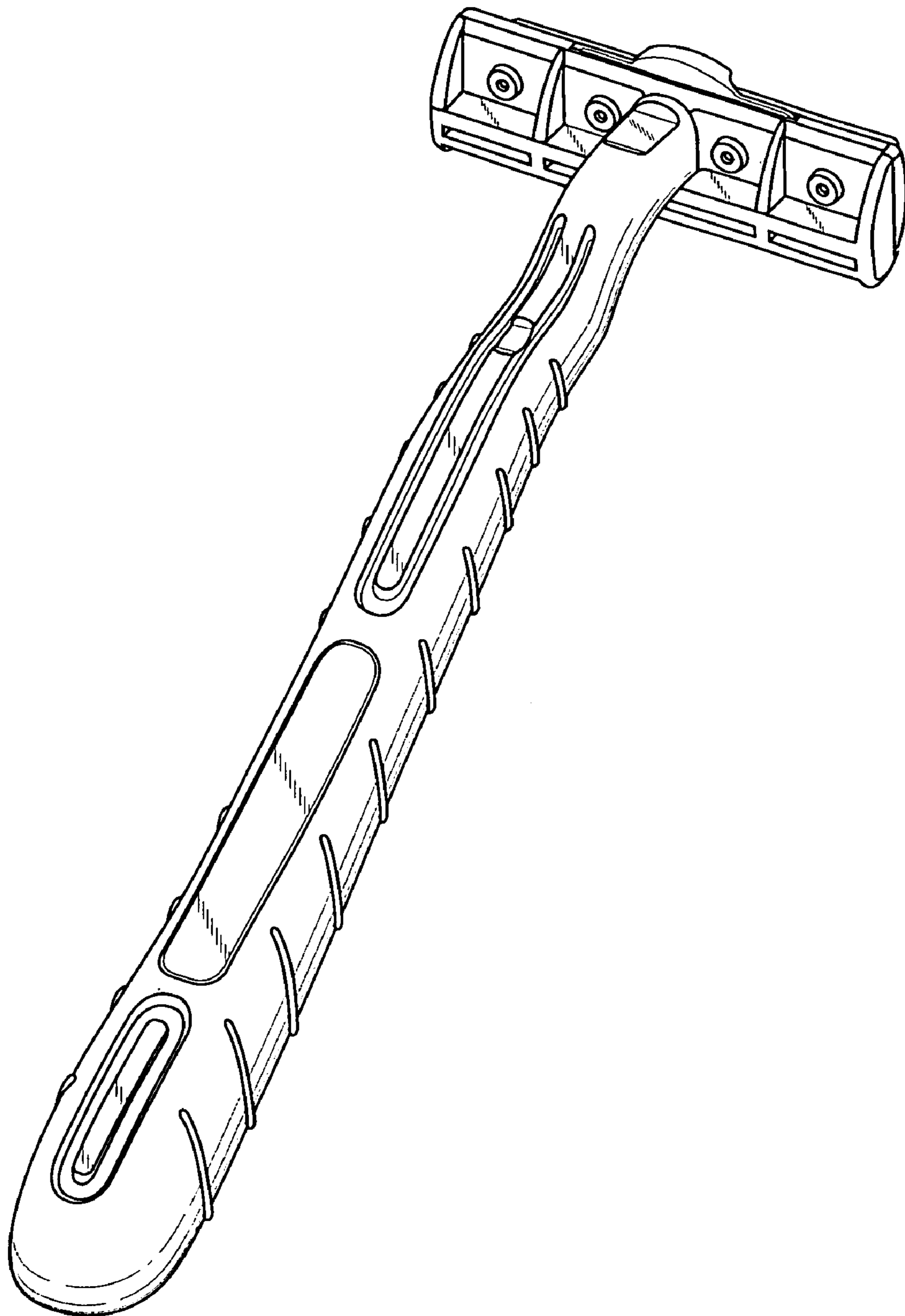
The ornamental design for the safety razor, as shown and described.

**DESCRIPTION**

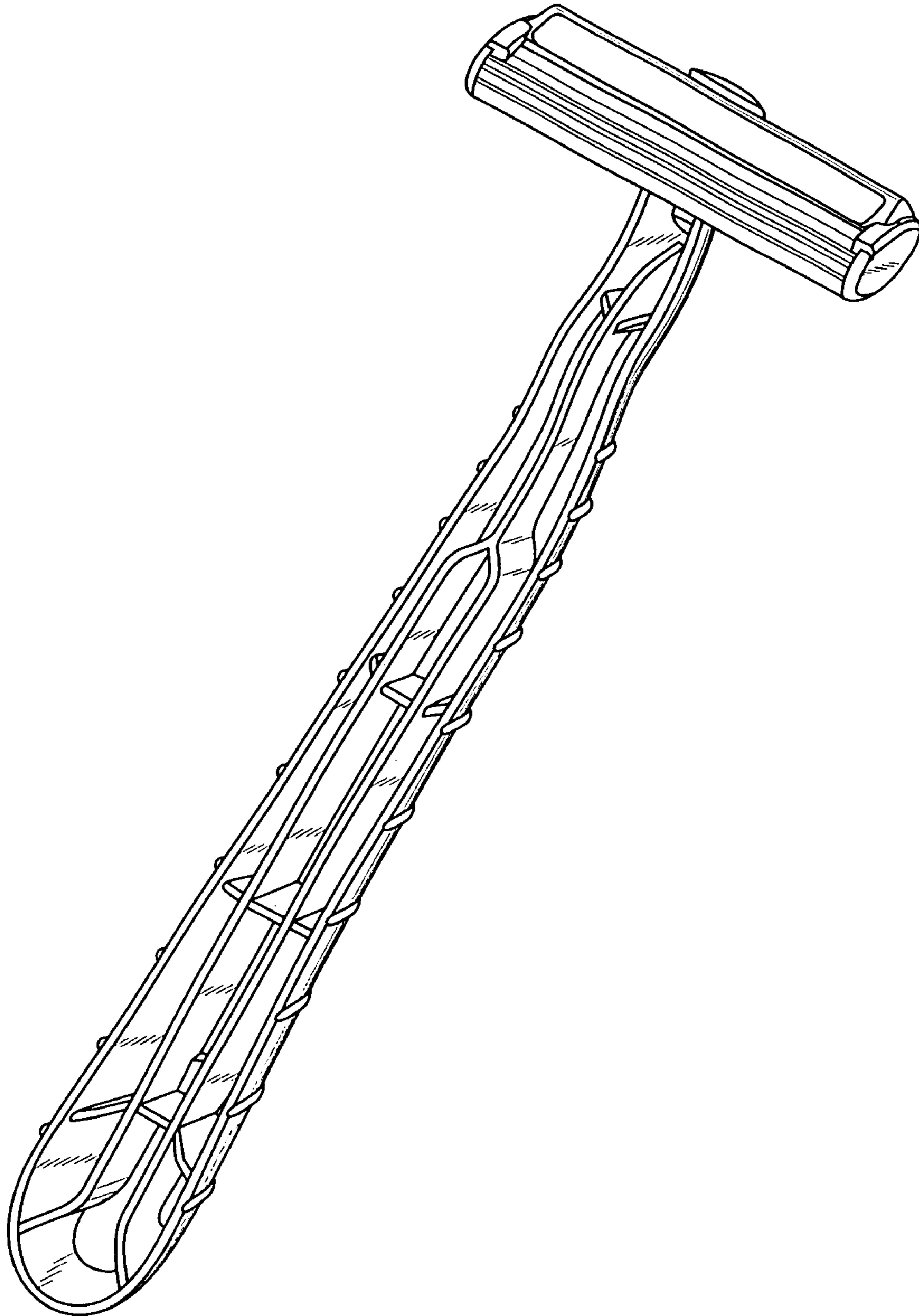
- FIG. 1 is a rear perspective view of the safety razor.
- FIG. 2 is a front perspective view of the safety razor.
- FIG. 3 is a rear elevation view of the safety razor.
- FIG. 4 is a front elevation view of the safety razor.
- FIG. 5 is a left view of FIG. 4.
- FIG. 6 is a right view of FIG. 4.
- FIG. 7 is a lower end view of FIG. 4; and,
- FIG. 8 is an upper end view of FIG. 4.

**1 Claim, 6 Drawing Sheets**

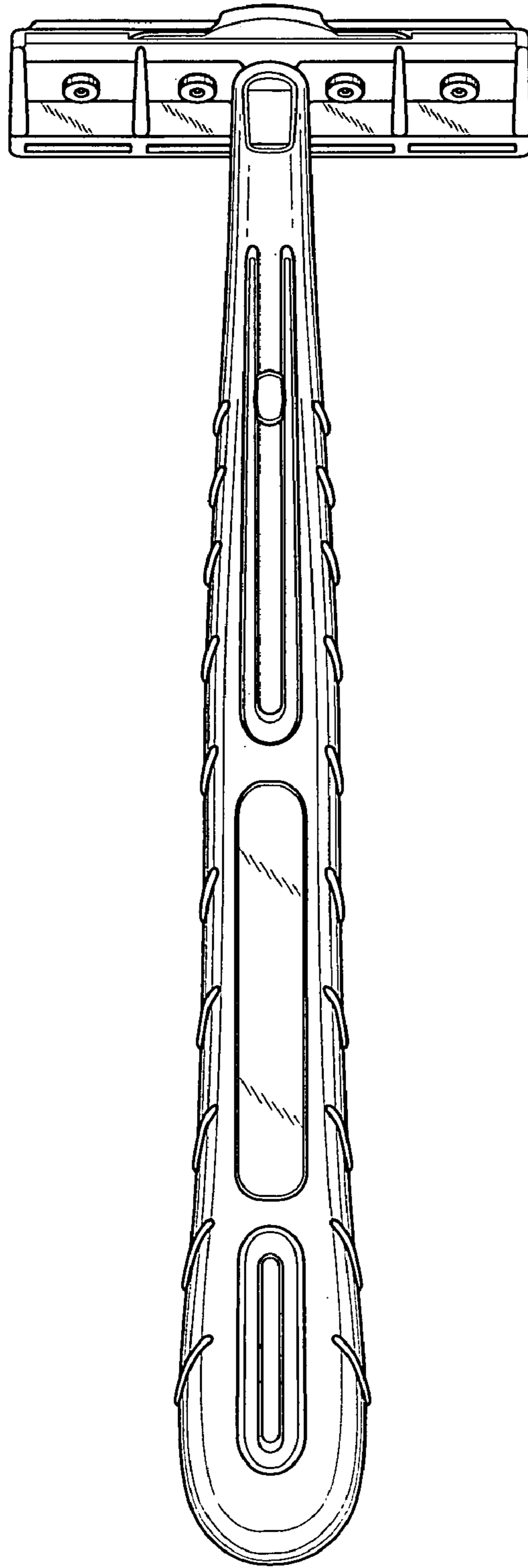




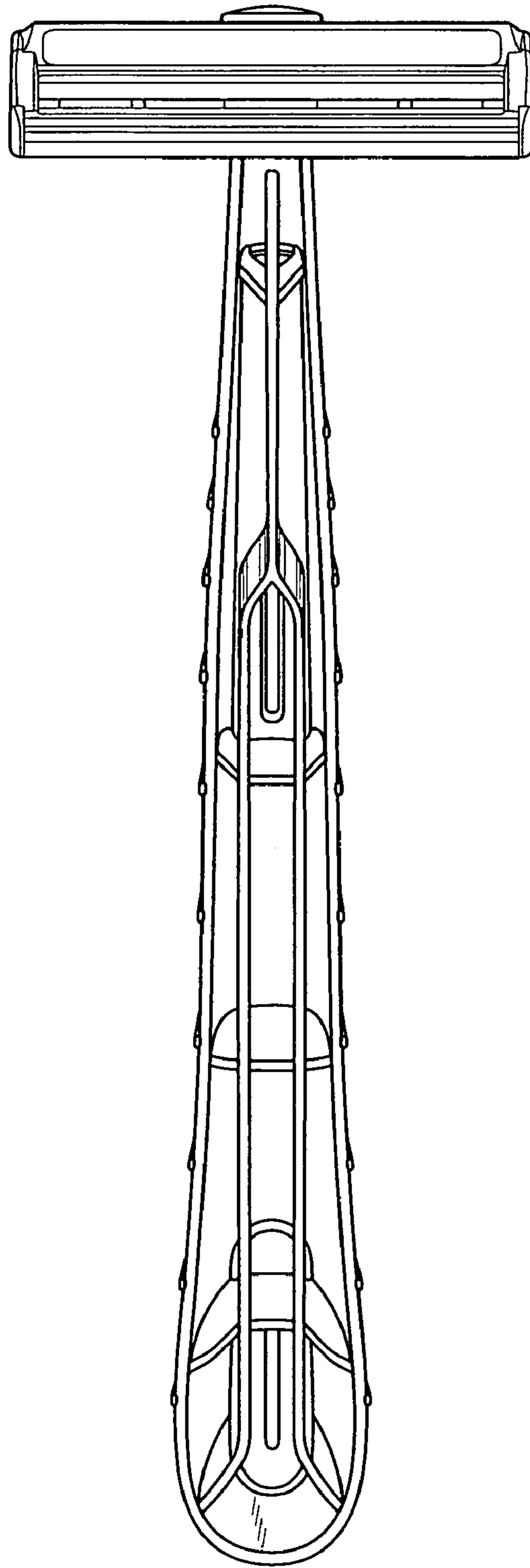
**Fig. 1**



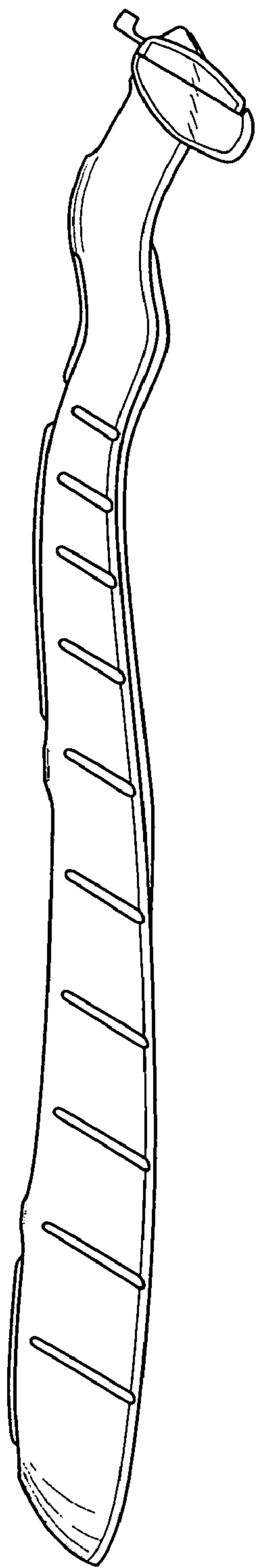
**Fig. 2**



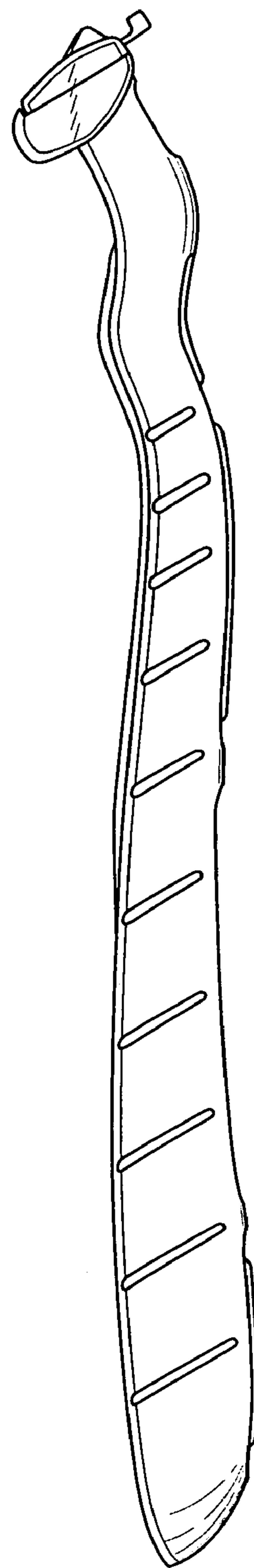
**Fig. 3**



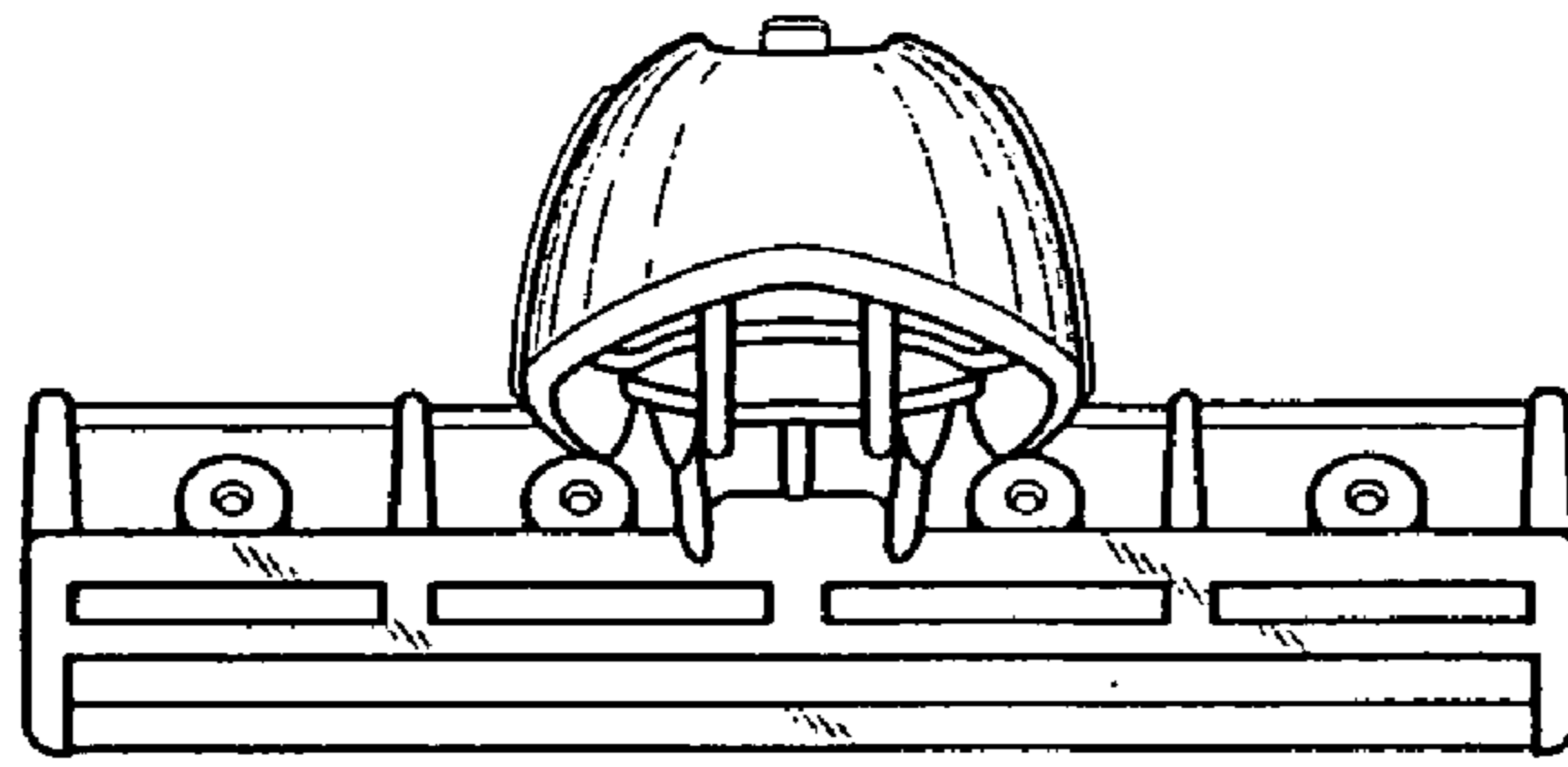
**Fig. 4**



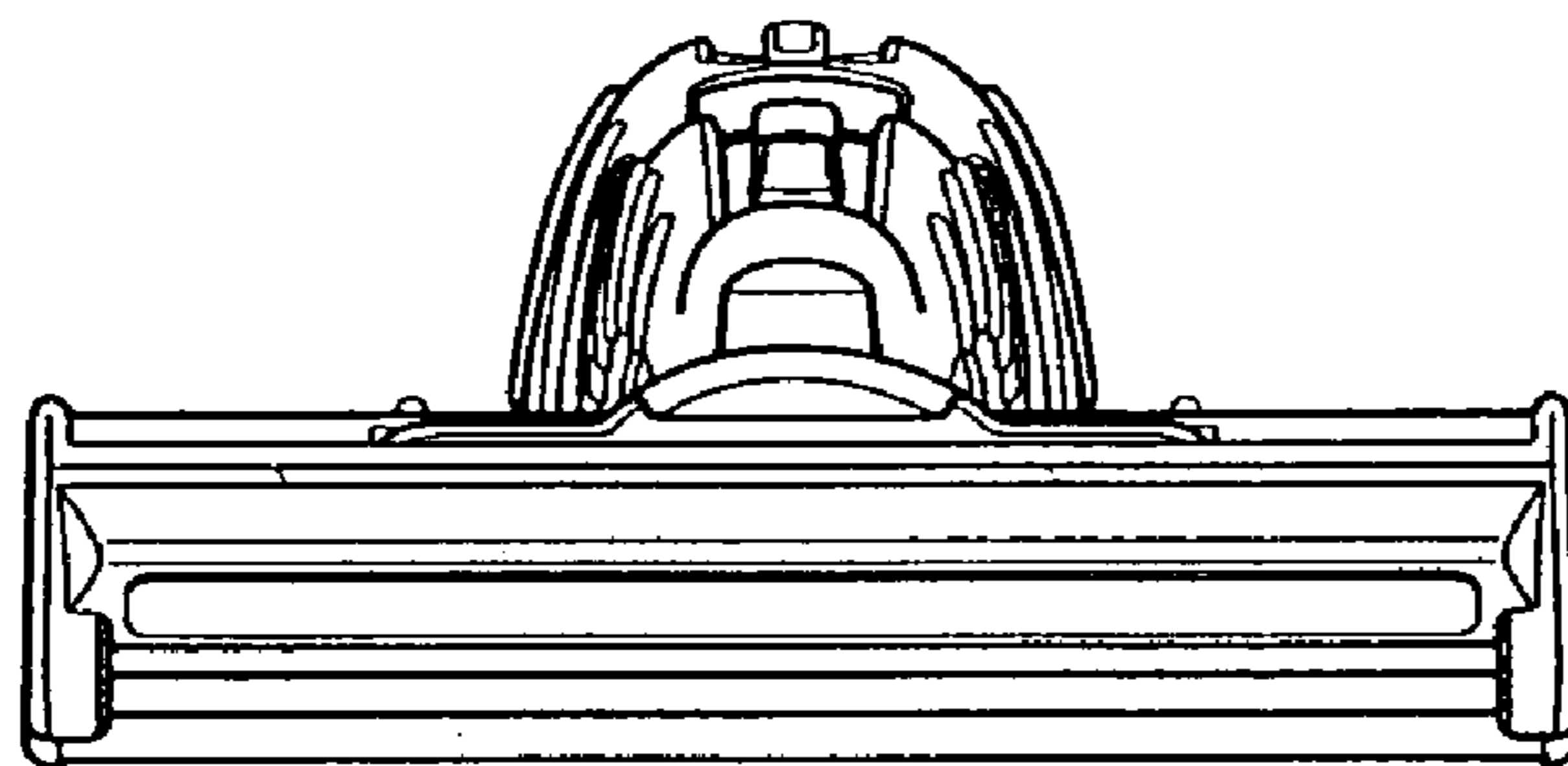
**Fig. 5**



**Fig. 6**



***Fig. 7***



***Fig. 8***