

US00D568532S

(12) **United States Design Patent**
Compton

(10) **Patent No.:** **US D568,532 S**

(45) **Date of Patent:** **** May 6, 2008**

(54) **LIGHTING FIXTURE SUPPORT ARM**

D63,602 S 12/1923 Ainsworth
D72,912 S 6/1927 Peinlich
D73,934 S 11/1927 Lindsay

(75) Inventor: **Wayne W. Compton**, Chino Hills, CA
(US)

(Continued)

(73) Assignee: **Hubbell Incorporated**, Orange, CT
(US)

Primary Examiner—Freda S. Nunn
Assistant Examiner—Kevin K Rudzinski

(**) Term: **14 Years**

(74) *Attorney, Agent, or Firm*—Jenae C. Avallone; Mark S. Bicks; Alfred N. Goodman

(21) Appl. No.: **29/287,975**

(57) **CLAIM**

(22) Filed: **Oct. 5, 2007**

The ornamental design for a lighting fixture support arm, as shown and described.

Related U.S. Application Data

DESCRIPTION

(62) Division of application No. 29/222,800, filed on Feb. 4, 2005, now Pat. No. Des. 556,945.

FIG. 1 is a top plan view of a lighting fixture support arm in accordance with the present invention;

(51) **LOC (8) Cl.** **26-99**

(52) **U.S. Cl.** **D26/155**

FIG. 2 is a left side view of the lighting fixture support arm illustrated in FIG. 1;

(58) **Field of Classification Search** D26/155,

D26/145, 71, 60, 68, 113, 118, 24, 61, 62,

D26/63, 64, 67, 72, 93, 138, 140, 141, 142,

D26/150, 151, 152, 153, 154; 362/147, 151,

362/153, 224, 257, 277, 280, 285, 287, 368,

362/370, 441, 432; 248/205.1; D6/332,

D6/350, 399, 459; D25/63

FIG. 3 is a front view of the lighting fixture support arm illustrated in FIGS. 1 and 2;

FIG. 4 is a right side view of the lighting fixture support arm illustrated in FIGS. 1–3;

FIG. 5 is a bottom view of the lighting fixture support arm illustrated in FIGS. 1–4; and,

See application file for complete search history.

FIG. 6 is a perspective view of the lighting fixture support arm illustrated in FIGS. 1–5 showing the arm supporting a light fixture mounted to a pole.

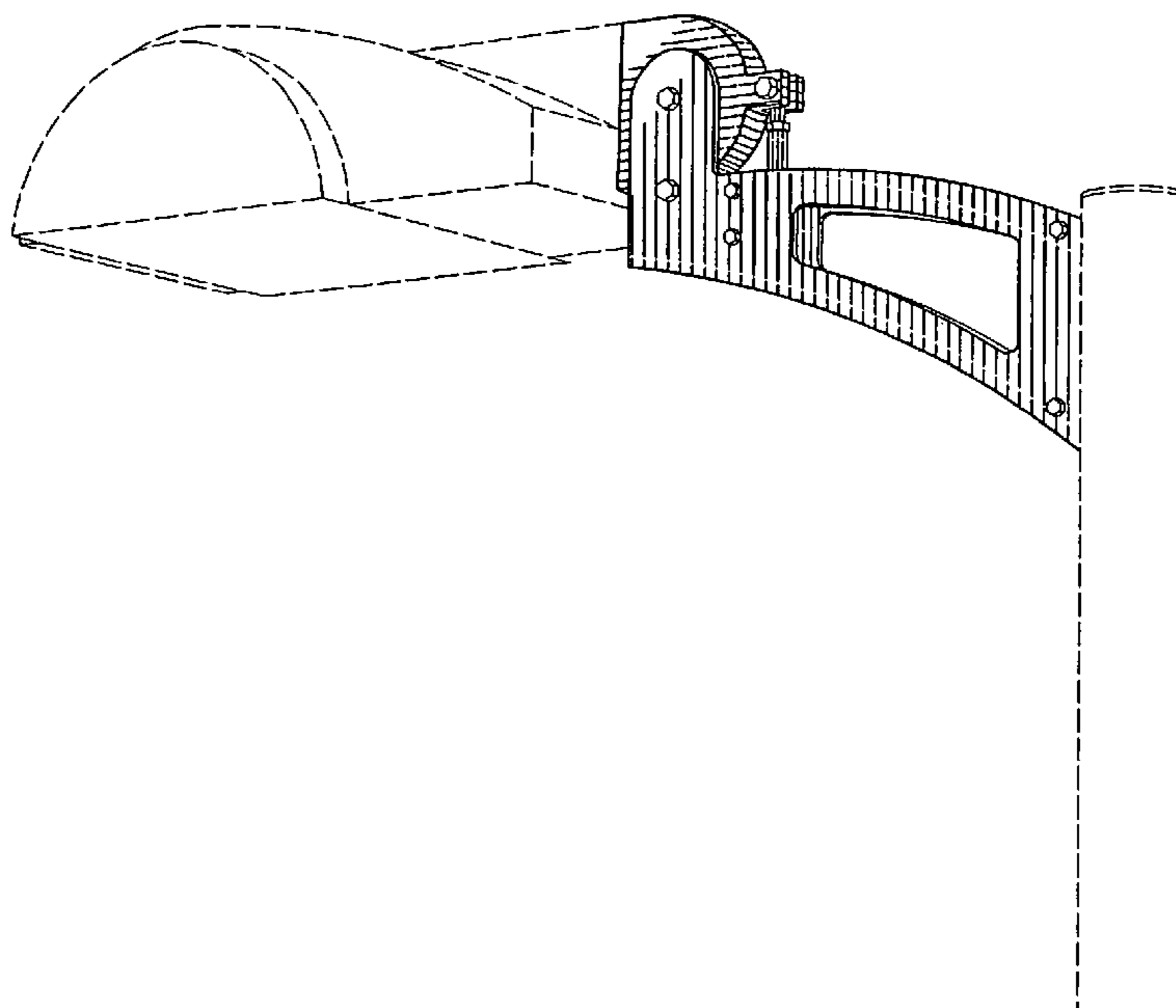
(56) **References Cited**

U.S. PATENT DOCUMENTS

D46,569 S * 10/1914 Kaufman D26/60
D49,999 S * 12/1916 Moritz D26/60
D52,969 S 2/1919 Rosenberg
D60,026 S 12/1921 Howell

The broken lines are shown for illustrative purposes only and form no part of the claimed design.

1 Claim, 2 Drawing Sheets



US D568,532 S

Page 2

U.S. PATENT DOCUMENTS

2,254,790	A *	9/1941	Benton	362/523	D417,137	S	11/1999	Vogels	
2,345,393	A *	3/1944	Heyermans	248/122.1	D419,713	S *	1/2000	Diaz-Azcuy D26/87
D162,639	S *	3/1951	Fiori	D26/60	D428,191	S *	7/2000	Kluck D26/155
2,974,920	A *	3/1961	Spaulding	248/292.14	D441,130	S	4/2001	Compton et al.	
D200,593	S	3/1965	Pettengill			D442,313	S	5/2001	Wojtkowiak et al.	
D203,294	S *	12/1965	Cianca	D26/71	D442,319	S *	5/2001	Hsu D26/87
D205,003	S	6/1966	de Vos			D454,975	S	3/2002	De'Armond et al.	
3,489,384	A *	1/1970	Perbal	248/280.11	D465,302	S	11/2002	Compton et al.	
D327,544	S	6/1992	Orozco			D479,624	S	9/2003	Svensen et al.	
D357,547	S	4/1995	Layh			D481,490	S	10/2003	Fickas et al.	
D380,851	S *	7/1997	Dolan	D26/92	D501,057	S *	1/2005	Haugaard et al. D26/71
5,918,970	A	7/1999	Brohard			D537,196	S	2/2007	Summerford et al.	
5,924,789	A	7/1999	Thornton							

* cited by examiner

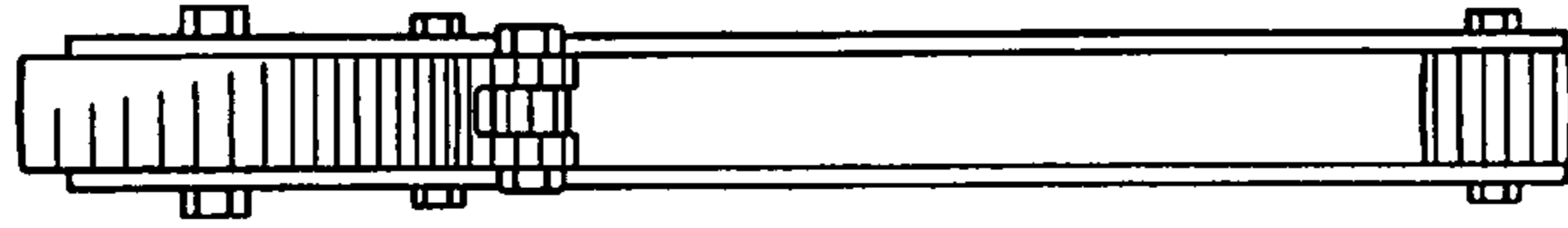


FIG. 1

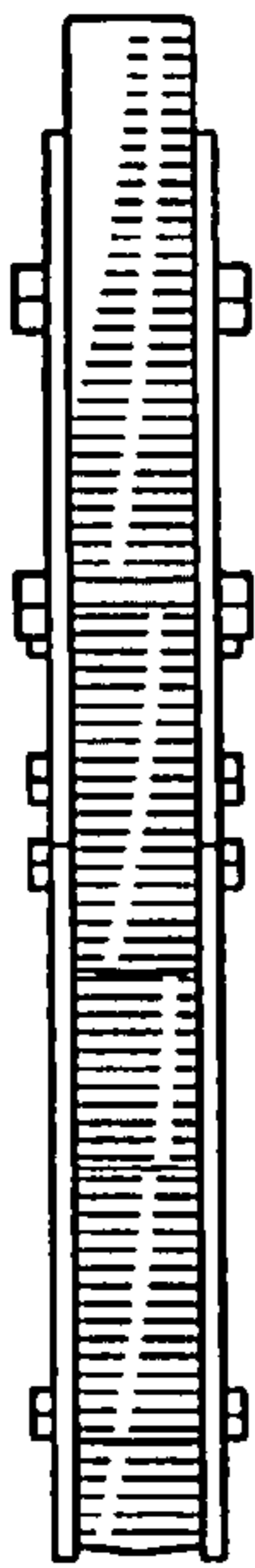


FIG. 2

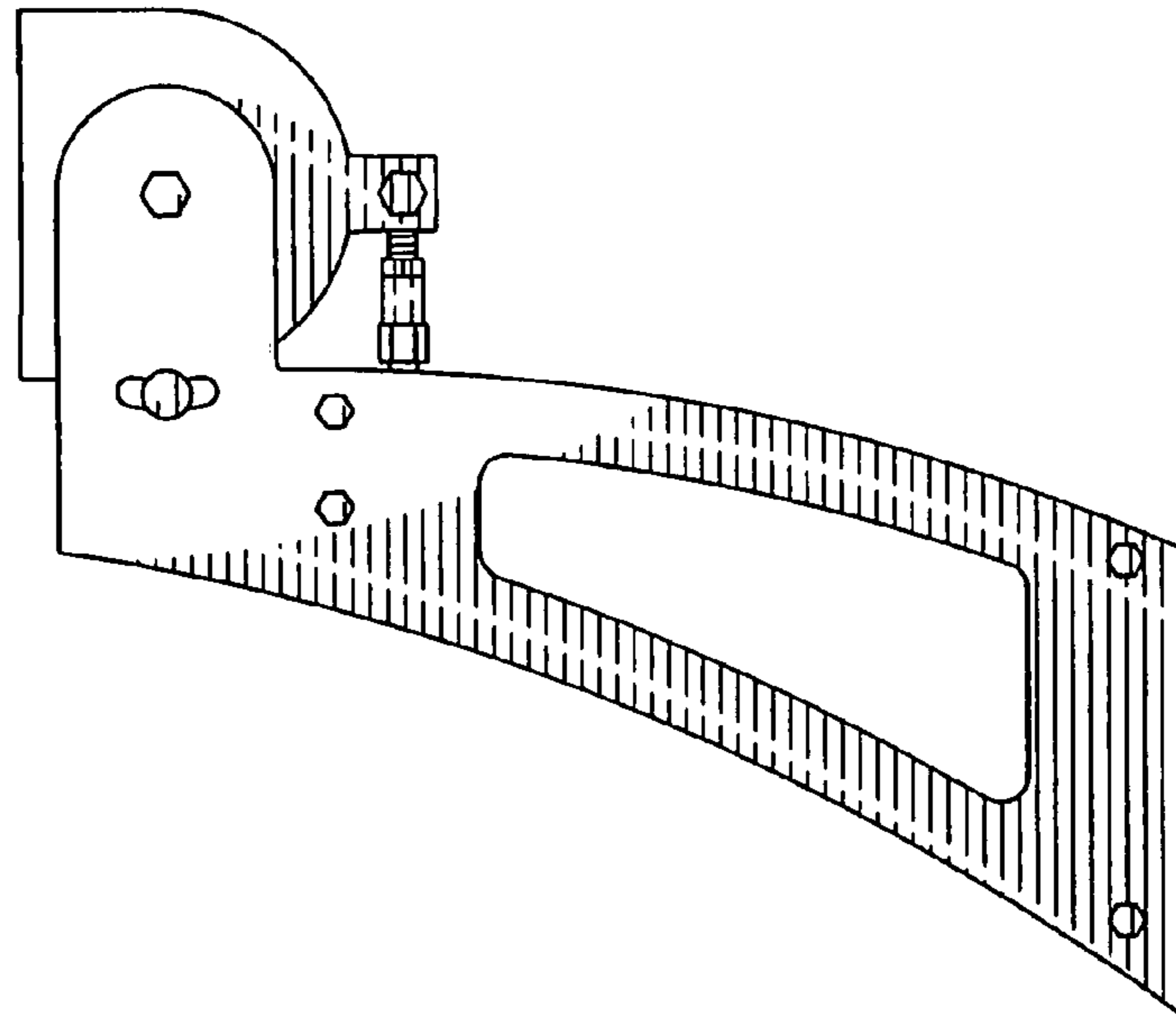


FIG. 3

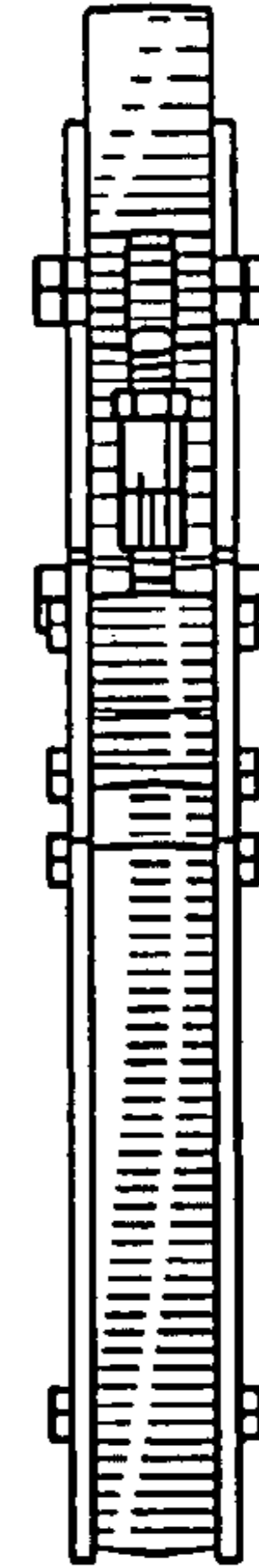


FIG. 4

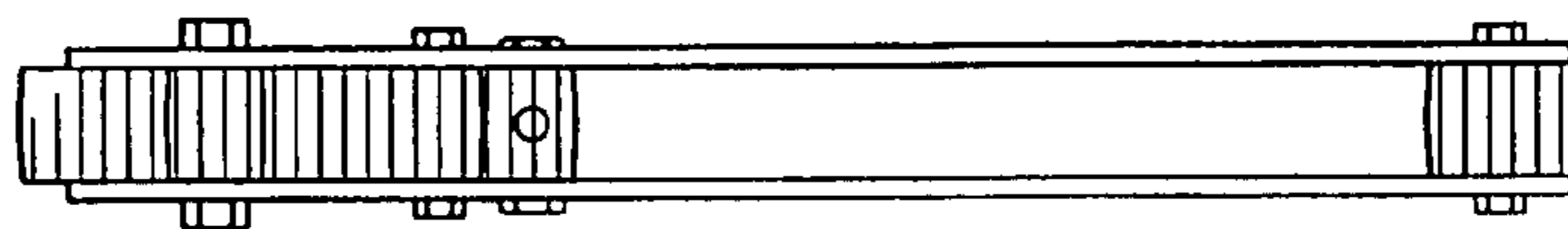


FIG. 5

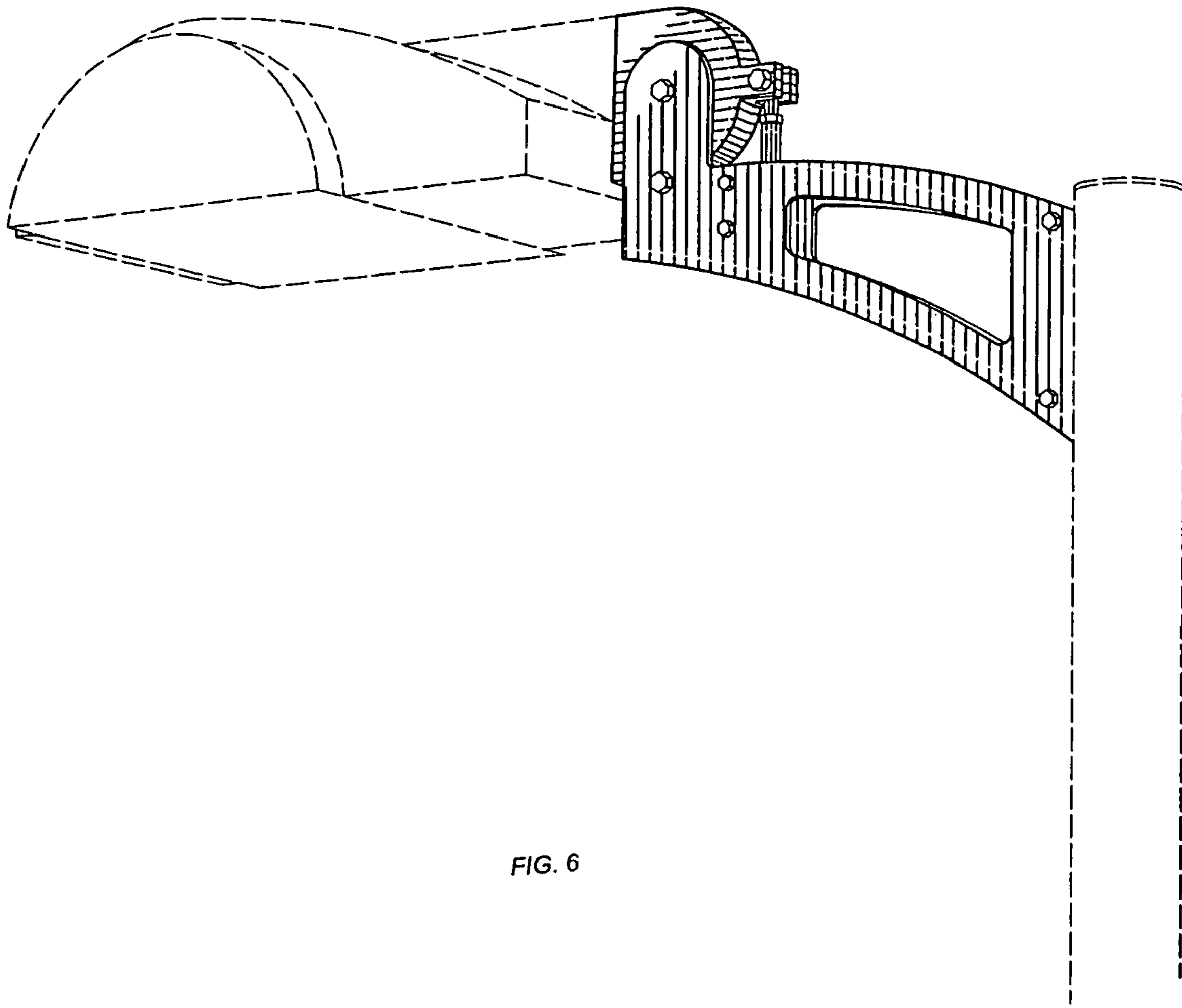


FIG. 6