



US00D568528S

(12) **United States Design Patent**  
**Hood**

(10) **Patent No.:** **US D568,528 S**

(45) **Date of Patent:** **\*\* May 6, 2008**

(54) **CLEAR PLASTIC SURGICAL LIGHT COVER**

(76) **Inventor:** **Frances W. Hood**, 2812 Vestavia Forest Pl., Birmingham, AL (US) 35216

(\*\*) **Term:** **14 Years**

(21) **Appl. No.:** **29/233,286**

(22) **Filed:** **Jun. 30, 2005**

(51) **LOC (8) Cl.** ..... **26-99**

(52) **U.S. Cl.** ..... **D26/119**

(58) **Field of Classification Search** ..... D26/131, D26/135, 143, 67, 123, 124, 129, 122, 128, D26/153, 155, 37, 118, 119, 142, 137, 138, D26/113, 63, 24, 65, 5, 6, 9, 12, 22, 23, 72, D26/120; 362/431, 612, 555, 565, 572, 147, 362/162, 161, 172, 186, 189, 649, 653, 311, 362/351, 353, 800, 804

See application file for complete search history.

(56) **References Cited**

**U.S. PATENT DOCUMENTS**

2,092,664	A *	9/1937	Bray	.....	340/321
2,781,811	A *	2/1957	Dilar et al.	.....	206/423
D243,986	S *	4/1977	O'Leary, Jr.	.....	D6/495
4,354,222	A *	10/1982	Gall	.....	362/352
4,559,671	A	12/1985	Andrews et al.		
4,605,124	A	8/1986	Sandel et al.		
D298,864	S *	12/1988	Jefferson	.....	D26/140
4,869,305	A *	9/1989	Jones	.....	150/155
4,975,826	A *	12/1990	Bell	.....	362/376
D315,222	S	3/1991	Sanborn		
5,142,736	A *	9/1992	Kuehn et al.	.....	16/421
5,355,292	A	10/1994	Hoftman et al.		
D376,222	S *	12/1996	Jameson, Jr.	.....	D26/118

D377,994	S	2/1997	Morrill		
5,599,093	A	2/1997	Hoftman et al.		
5,709,465	A *	1/1998	Lanzone	.....	362/400
5,746,506	A *	5/1998	Dunbar	.....	362/351
6,129,208	A *	10/2000	Ferguson	.....	206/423
D434,511	S *	11/2000	Parker	.....	D26/9
6,155,695	A *	12/2000	Sealy	.....	362/237
6,315,434	B1 *	11/2001	Long	.....	362/352
6,390,671	B1 *	5/2002	Tseng	.....	374/158
6,546,594	B1 *	4/2003	Wills	.....	16/412
6,692,141	B2	2/2004	Jesurun et al.		

\* cited by examiner

*Primary Examiner*—Freda S. Nunn  
*Assistant Examiner*—Kevin K Rudzinski  
(74) *Attorney, Agent, or Firm*—Gerald M. Walsh; Kenneth M. Bush; Bush Intellectual Property Law

(57) **CLAIM**

The ornamental design for a clear plastic surgical light cover, as shown and described.

**DESCRIPTION**

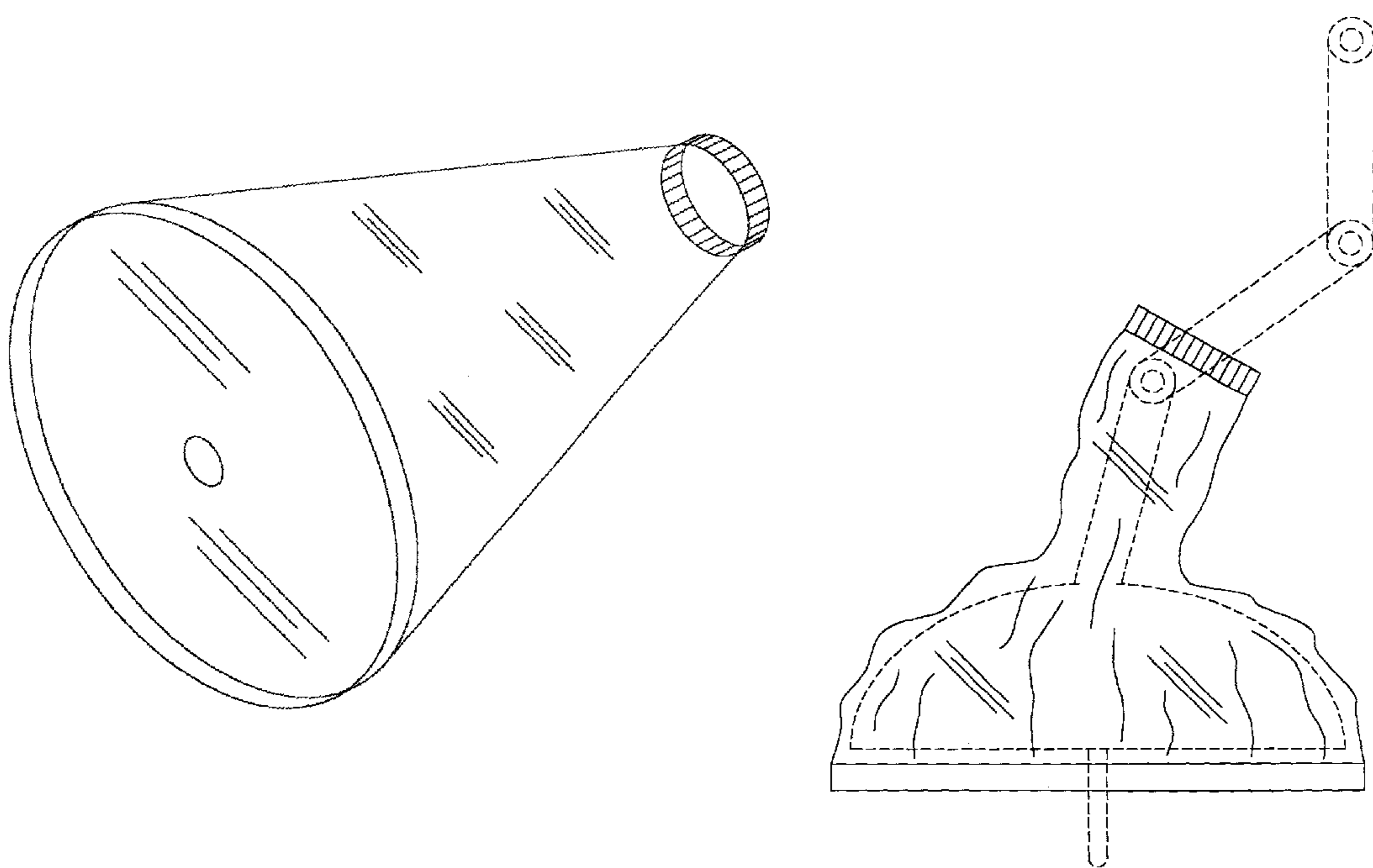
FIG. 1 is a front right perspective view of the clear plastic surgical light cover, showing my design.

FIG. 2 is a front elevational view thereof, the rear elevational view being identical to the front elevation view.

FIG. 3 is a side elevational view thereof; and,

FIG. 4 is a side perspective view thereof in position over a surgical light, the broken line showing of the surgical light being for illustrative purposes only and forming no part of the claimed design.

**1 Claim, 3 Drawing Sheets**



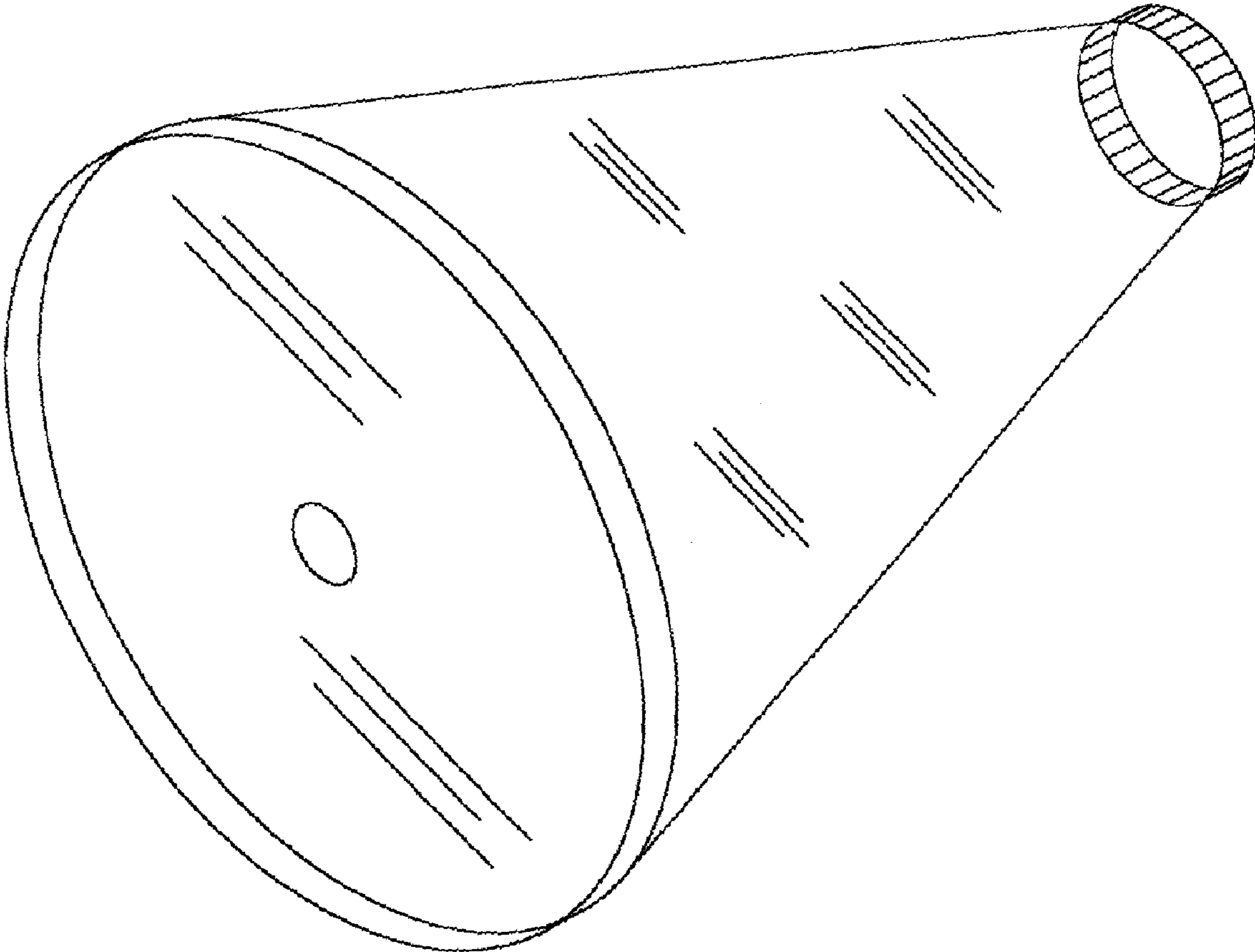


FIG. 1

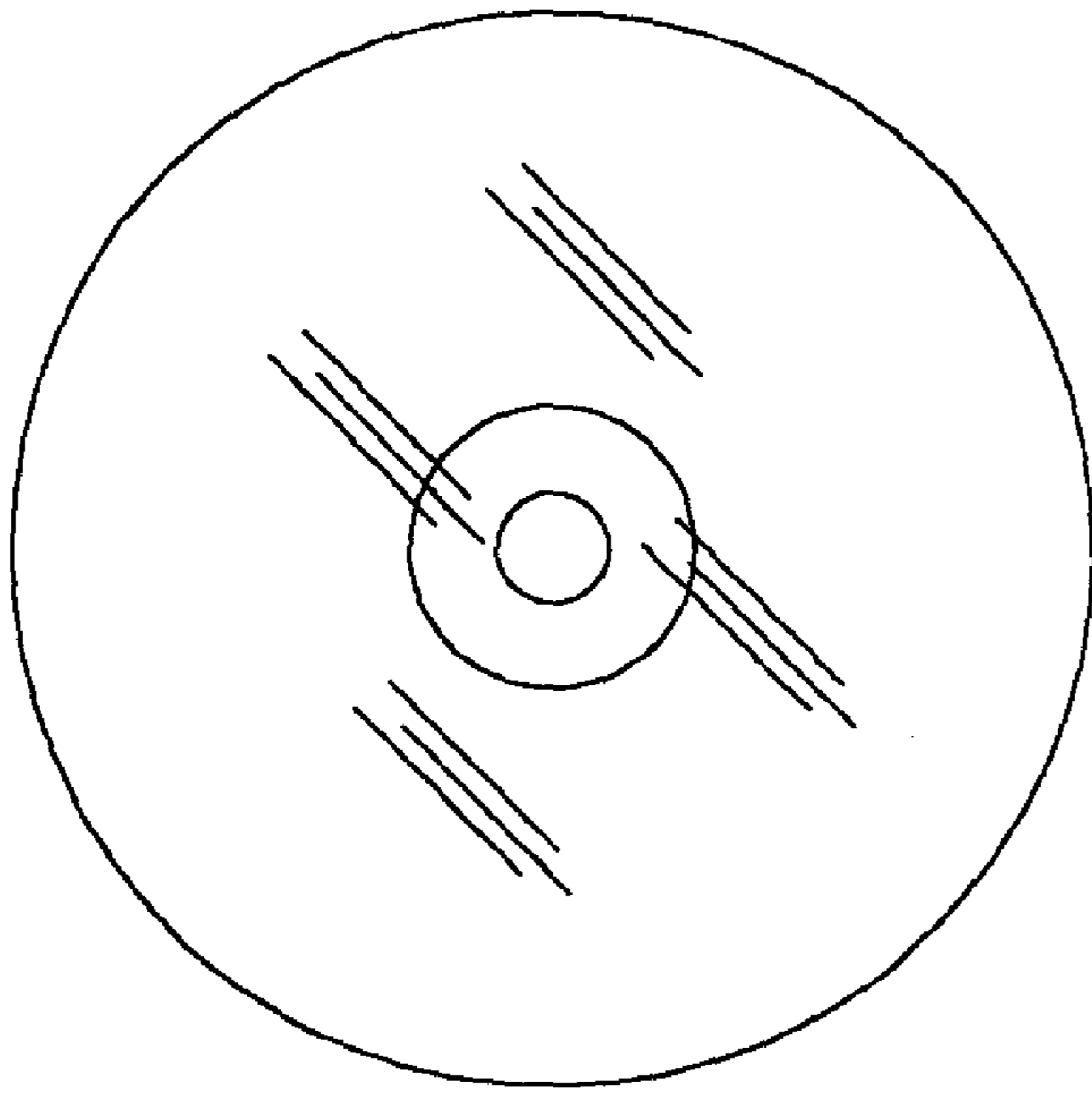


FIG. 2

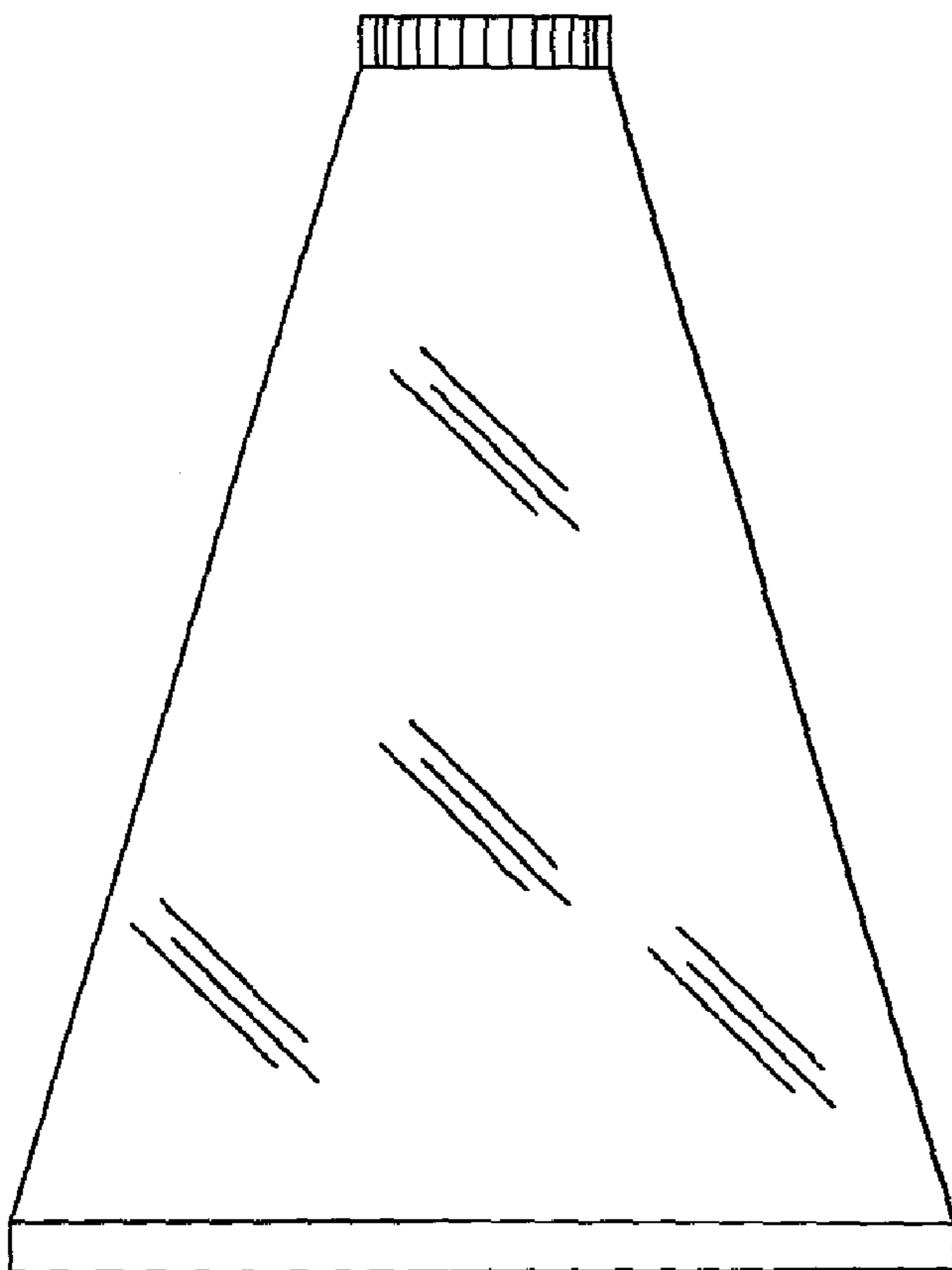


FIG. 3

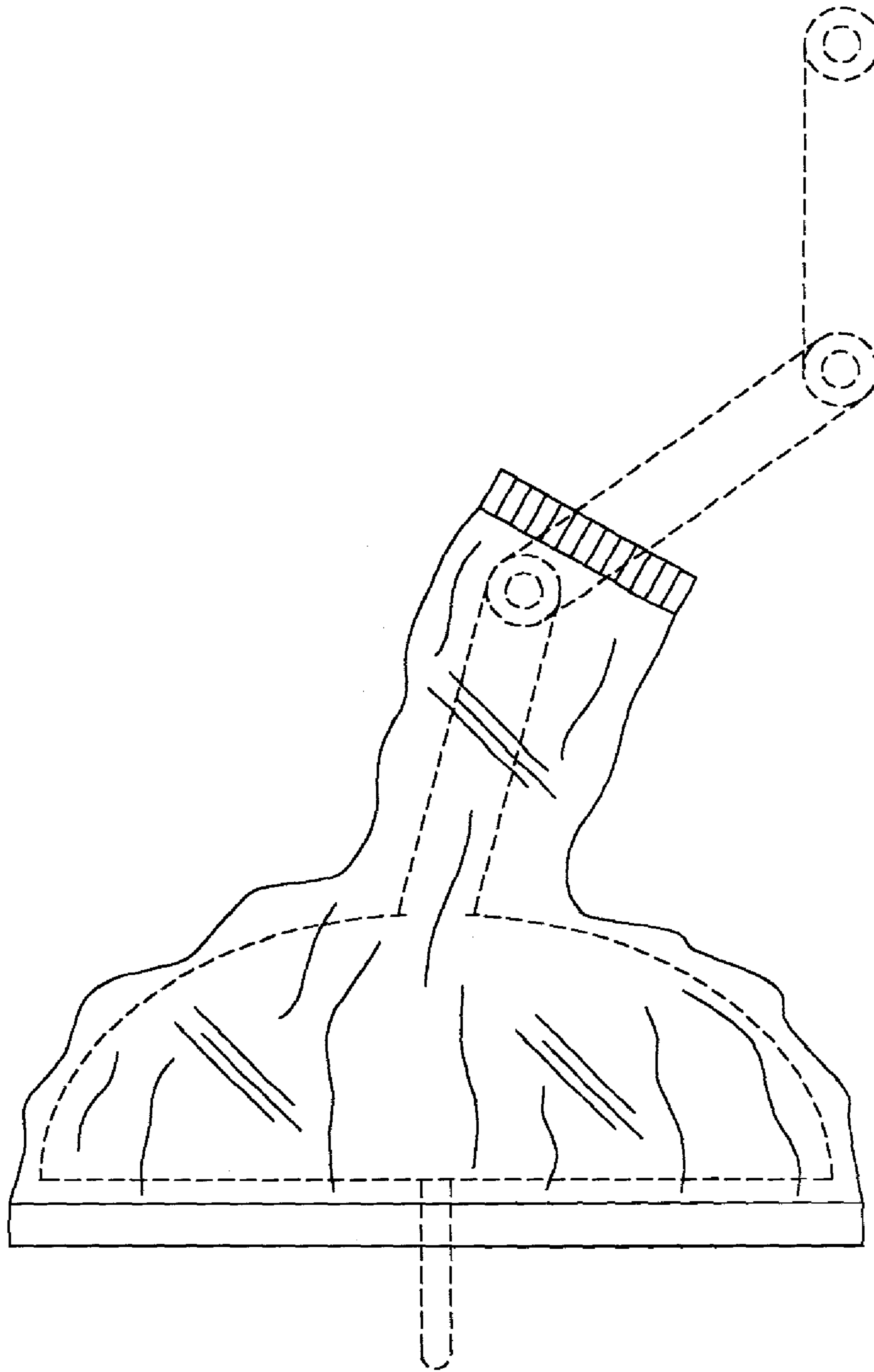


FIG. 4