



US00D568527S

(12) **United States Design Patent**
Schlegel et al.

(10) **Patent No.:** **US D568,527 S**

(45) **Date of Patent:** **** *May 6, 2008**

(54) **LAMPHEAD**

(75) Inventors: **Kerstin Schlegel**, Rosenheim (DE);
Thomas Dörner, Kolbermoor (DE);
Erwin Melzner, Stephanskirchen (DE)

(73) Assignee: **Arnold & Richter Cine Technik GmbH & Co. Betriebs KG**, Munich (DE)

(*) Notice: This patent is subject to a terminal disclaimer.

(**) Term: **14 Years**

(21) Appl. No.: **29/252,874**

(22) Filed: **Jan. 26, 2006**

(51) **LOC (8) Cl.** **26-99**

(52) **U.S. Cl.** **D26/118**

(58) **Field of Classification Search** D26/138,
D26/113, 118, 93, 119, 142, 140, 141, 152,
D26/153; 362/257, 269, 270, 294, 382, 389,
362/410

See application file for complete search history.

(56) **References Cited**

U.S. PATENT DOCUMENTS

D38,133 S *	7/1906	Rosenbluth	D26/24
D260,300 S *	8/1981	Aron	D26/63
4,692,844 A *	9/1987	Galerie	362/3
4,703,404 A *	10/1987	Helton et al.	362/294
4,992,918 A *	2/1991	Shioiri et al.	362/368

5,067,065 A *	11/1991	Dahlgren	362/369
5,205,645 A *	4/1993	Lee	362/431
5,461,554 A *	10/1995	Leonetti et al.	362/390
D388,525 S *	12/1997	Lowell et al.	D26/63
6,485,167 B2 *	11/2002	Liang et al.	362/373
6,720,724 B2 *	4/2004	Chonan et al.	313/440

OTHER PUBLICATIONS

“ARRI” Tungsten Studio Lighting, published prior to Jul. 29, 2003.

* cited by examiner

Primary Examiner—Freda S. Nunn

Assistant Examiner—Kevin K Rudzinski

(74) *Attorney, Agent, or Firm*—Christie, Parker & Hale, LLP

(57) **CLAIM**

The ornamental design for lamphead, as shown and described.

DESCRIPTION

FIG. 1 is a left front perspective view of the lamphead;

FIG. 2 is a right side elevation view thereof;

FIG. 3 is a left side elevation view thereof;

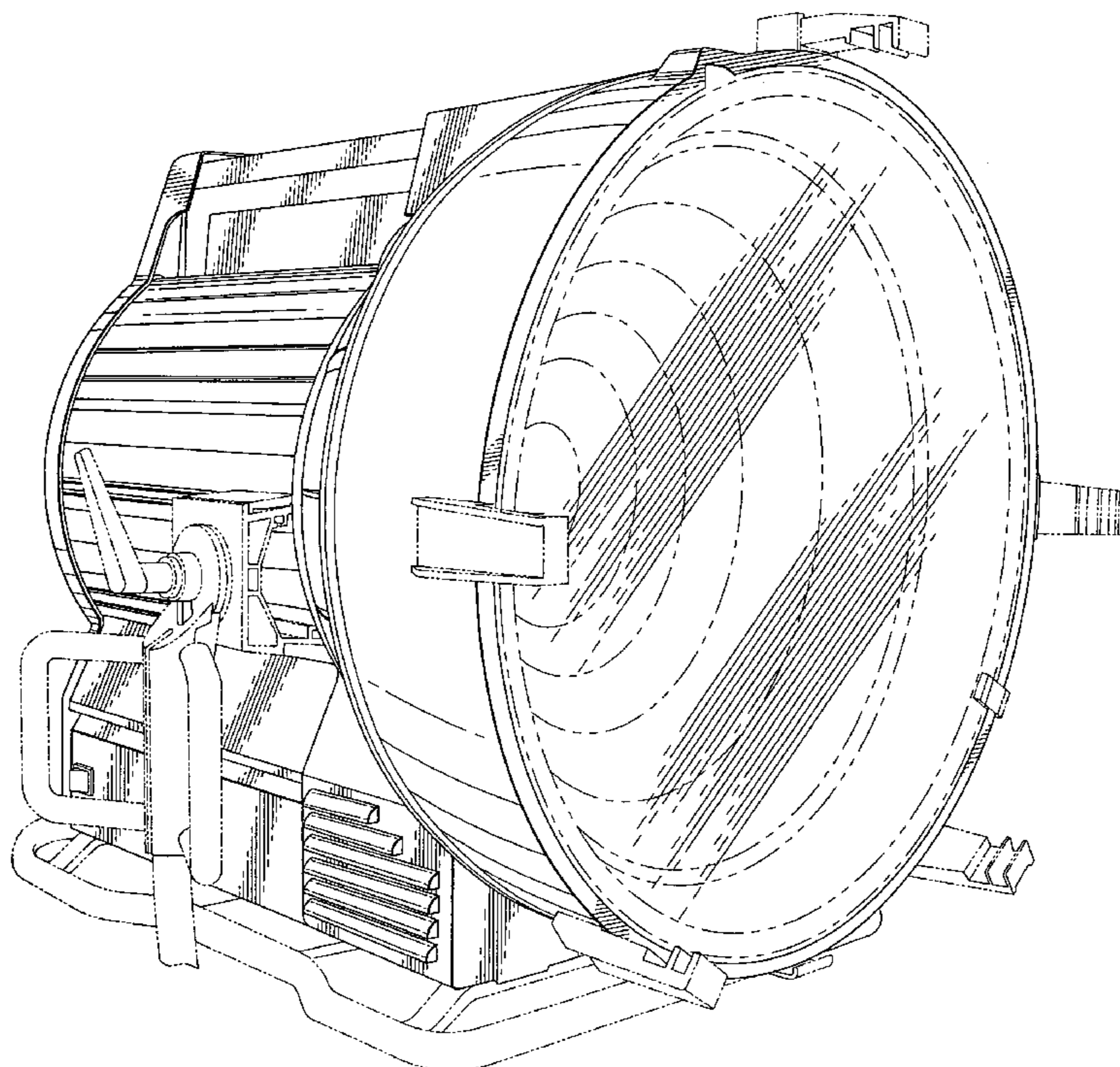
FIG. 4 is a rear elevation view thereof;

FIG. 5 is a front elevation view thereof; and,

FIG. 6 is a top plan view thereof.

The broken line showing is included for the purpose of illustration only and forms no part of the claimed design.

1 Claim, 6 Drawing Sheets



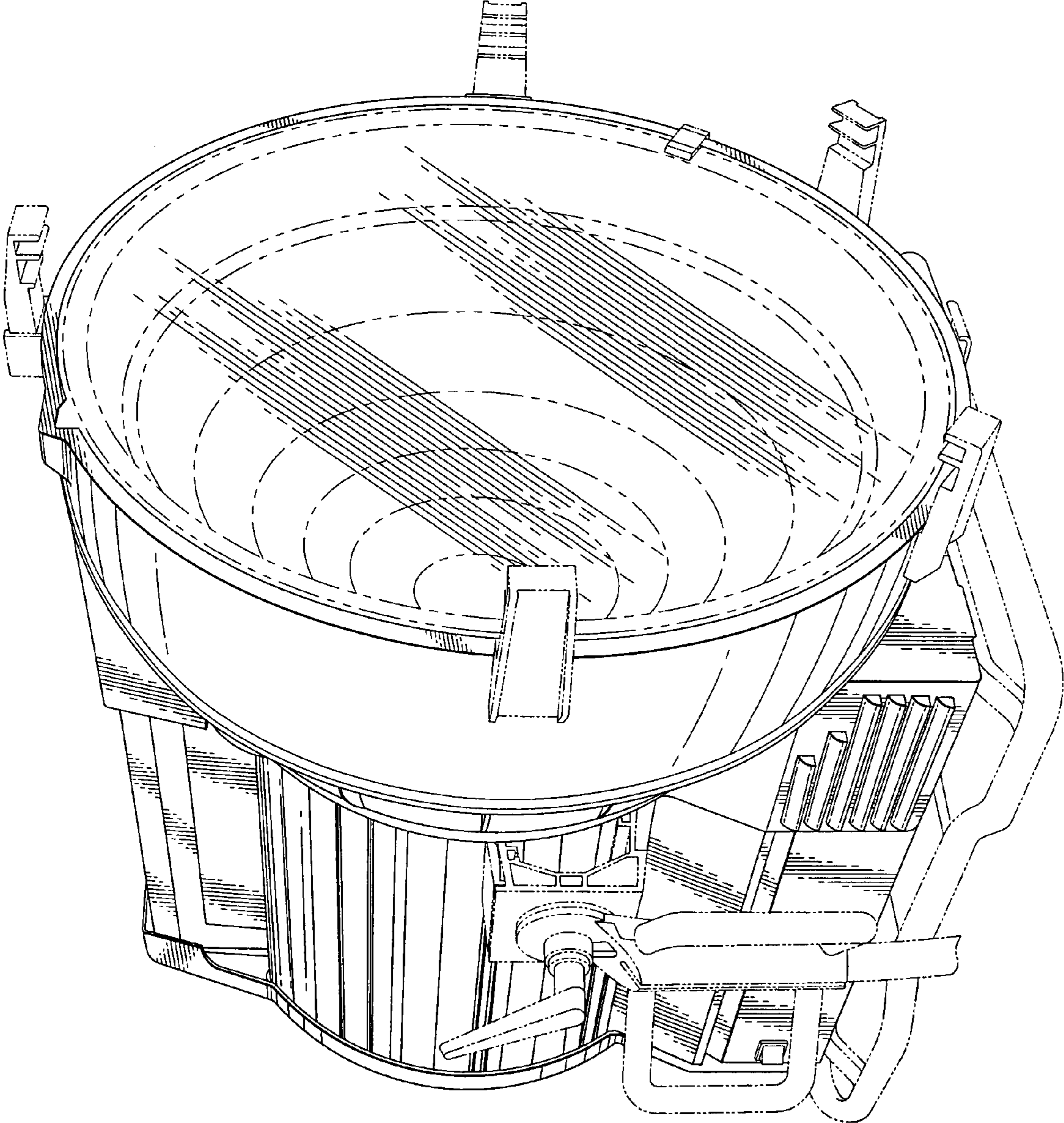


FIG. 1

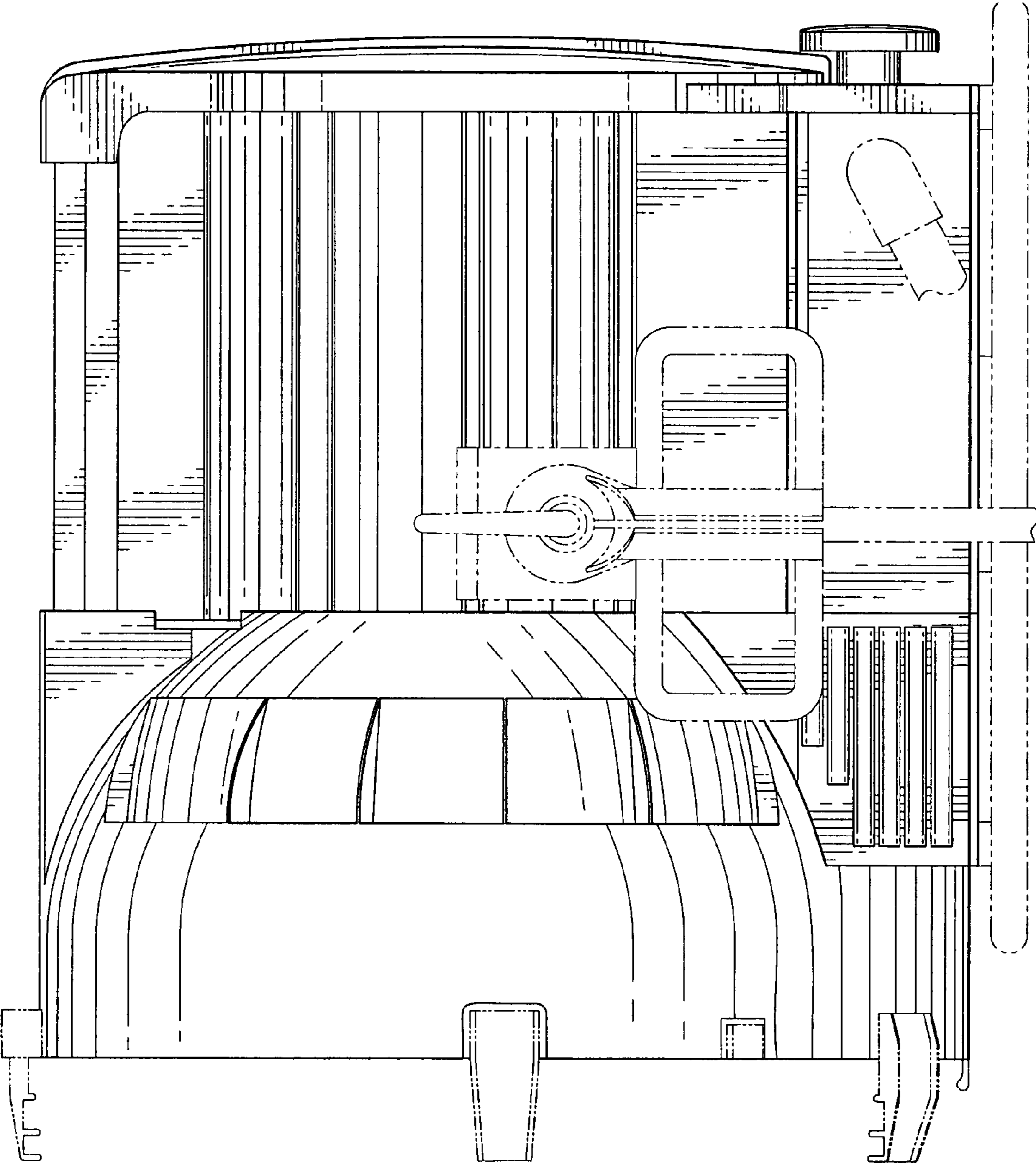


FIG. 2

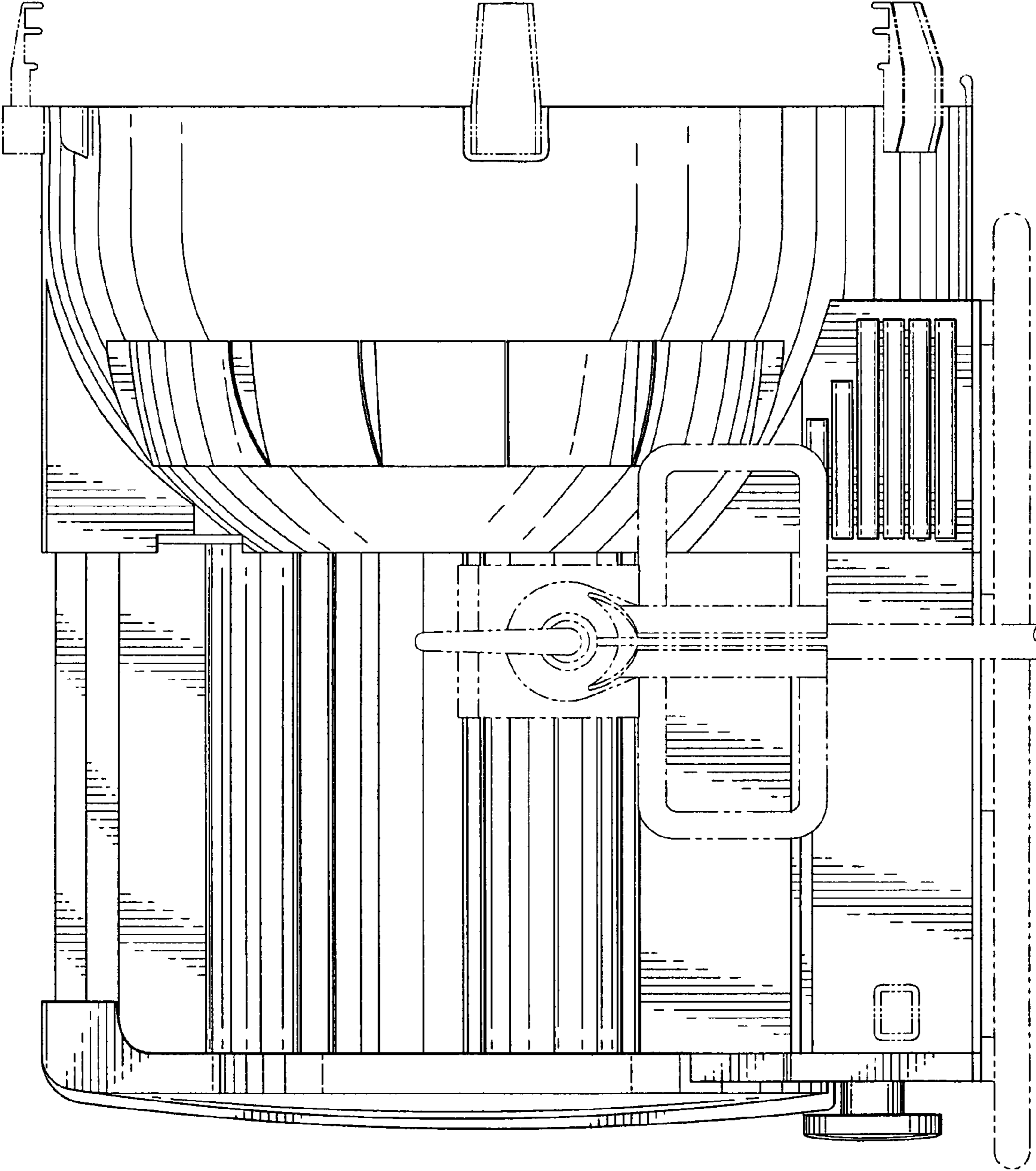


FIG. 3

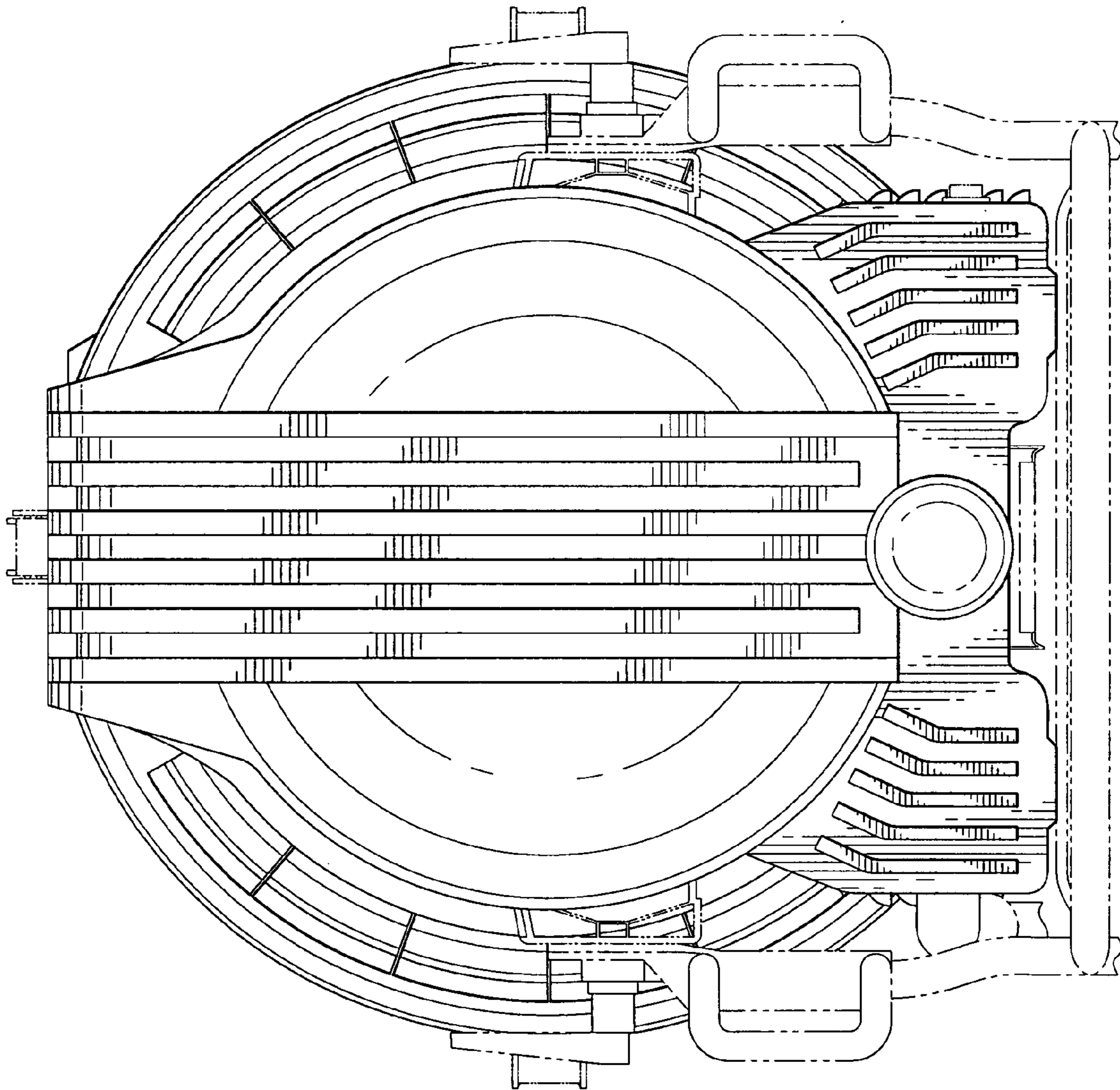


FIG. 4

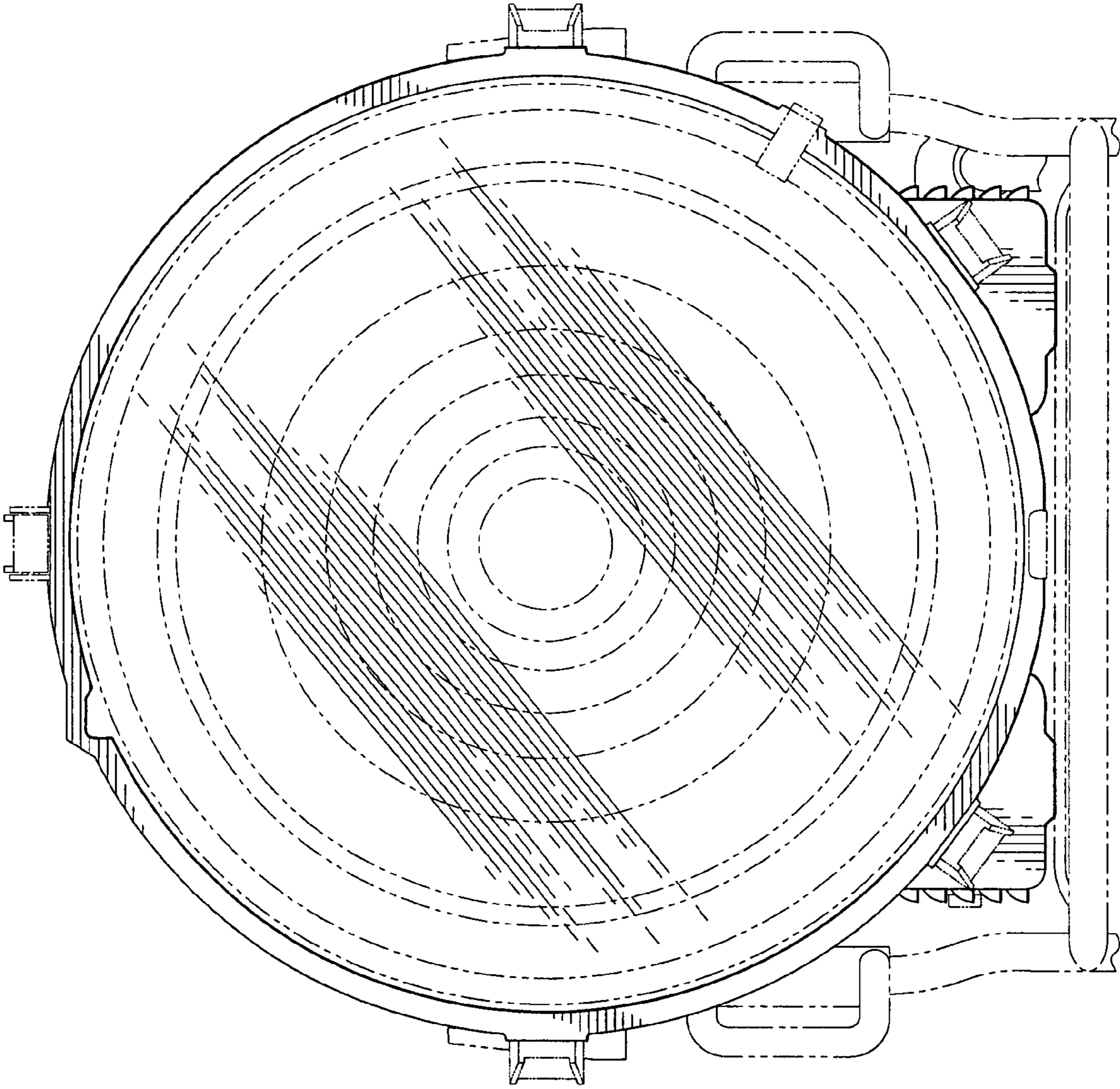


FIG. 5

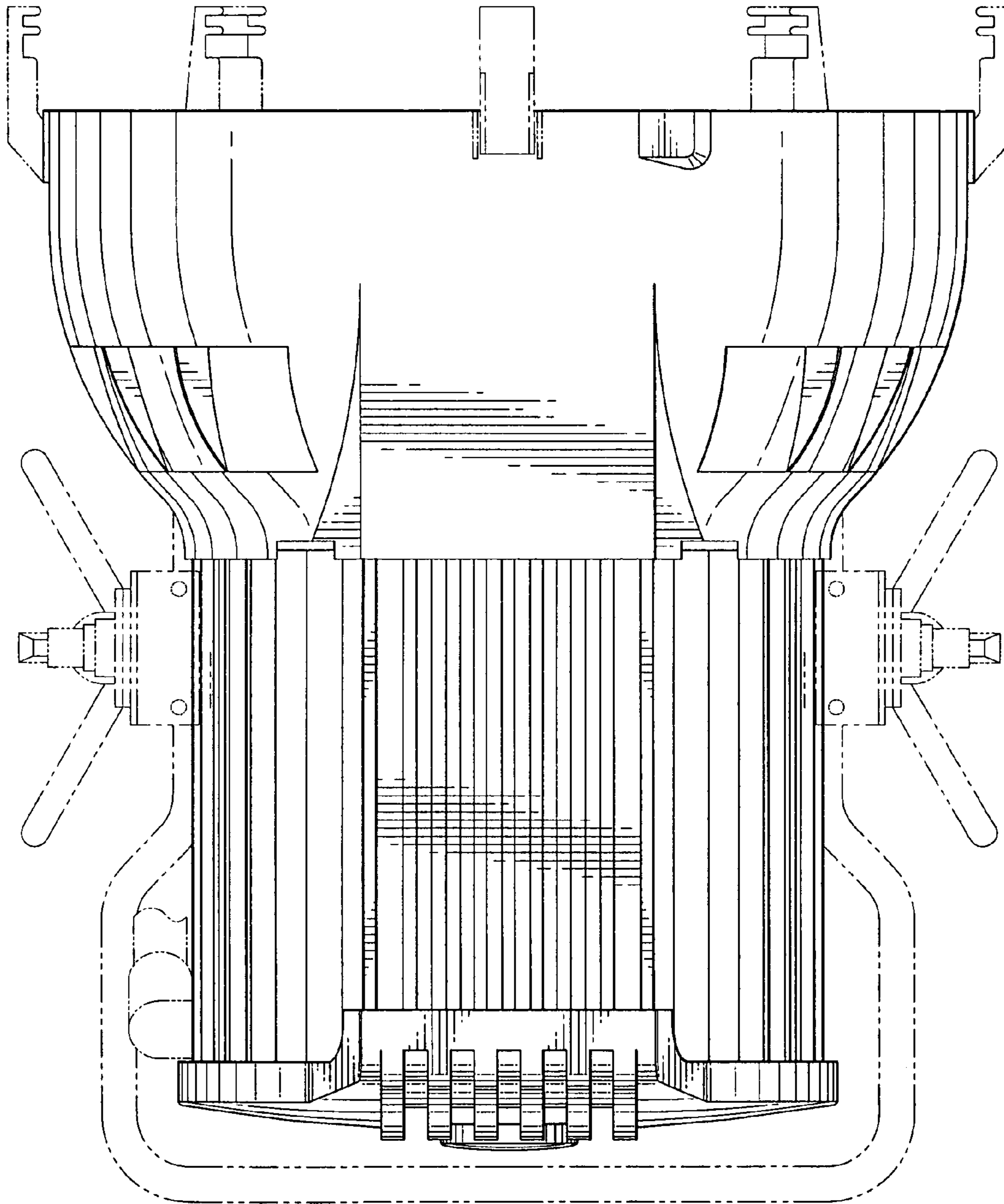


FIG. 6