



US00D568524S

(12) **United States Design Patent**
Sandell

(10) **Patent No.:** **US D568,524 S**

(45) **Date of Patent:** **** May 6, 2008**

(54) **OUTDOOR LIGHTING FIXTURE**

DESCRIPTION

(75) Inventor: **Donald R. Sandell**, San Jose, CA (US)

(73) Assignee: **EML Technologies LLC**, Danville, CA (US)

(**) Term: **14 Years**

(21) Appl. No.: **29/277,201**

(22) Filed: **Feb. 17, 2007**

(51) **LOC (8) Cl.** **26-03**

(52) **U.S. Cl.** **D26/85; D26/71**

(58) **Field of Classification Search** D26/71,
D26/72, 85, 88, 89, 121, 122; 362/147, 348-350,
362/367, 432, 806

See application file for complete search history.

(56) **References Cited**

U.S. PATENT DOCUMENTS

D188,912 S *	9/1960	Lasker	D26/85
D189,857 S *	3/1961	Lasker	D26/85
D198,812 S *	8/1964	Pettengill	D26/71
D222,117 S *	9/1971	Baatz	D26/85
D264,135 S	4/1982	Zwillich		
D336,964 S *	6/1993	Janssen et al.	D26/85
D348,531 S	7/1994	Mehaffey		
D468,046 S *	12/2002	Bernard et al.	D26/85
D500,569 S *	1/2005	Butler	D26/71
D531,342 S *	10/2006	Kauffman et al.	D26/68
D552,292 S *	10/2007	Martineau	D26/85

* cited by examiner

Primary Examiner—Clare E Heflin

(74) *Attorney, Agent, or Firm*—Elliot B. Aronson

(57) **CLAIM**

The ornamental design for an outdoor lighting fixture, as shown and described.

FIG. 1 is an overall perspective view of an outdoor lighting fixture showing a first embodiment of my design;

FIG. 2 is a front elevational view of the outdoor lighting fixture of FIG. 1;

FIG. 3 is a top plan view of the outdoor lighting fixture of FIG. 1;

FIG. 4 is a bottom plan view of the outdoor lighting fixture of FIG. 1 with a portion of the outdoor lighting fixture shown in broken lines; and

FIG. 5 is a right side elevational view of the outdoor lighting fixture of FIG. 1, the left side being a mirror image.

The rear of the outdoor lighting fixture embodiment of FIG. 1 contains no elements of the claimed design and is not visible in ordinary use.

FIG. 6 is an overall perspective view of an outdoor lighting fixture showing a second embodiment of my design with a portion of the outdoor lighting fixture shown in broken lines;

FIG. 7 is a front elevational view of the outdoor lighting fixture of FIG. 6 with a portion of the outdoor lighting fixture shown in broken lines;

FIG. 8 is a top plan view of the outdoor lighting fixture of FIG. 6 with a portion of the outdoor lighting fixture shown in broken lines;

FIG. 9 is a bottom plan view of the outdoor lighting fixture of FIG. 6 with a portion of the outdoor lighting fixture shown in broken lines; and,

FIG. 10 is a right side elevational view of the outdoor lighting fixture of FIG. 6 with a portion of the outdoor lighting fixture shown in broken lines, the left side being a mirror image.

The rear of the outdoor lighting fixture embodiment of FIG. 6 contains no elements of the claimed design and is not visible in ordinary use.

The broken lines in the Figures are shown for illustrative purposes only and do not form part of the claimed design.

1 Claim, 4 Drawing Sheets

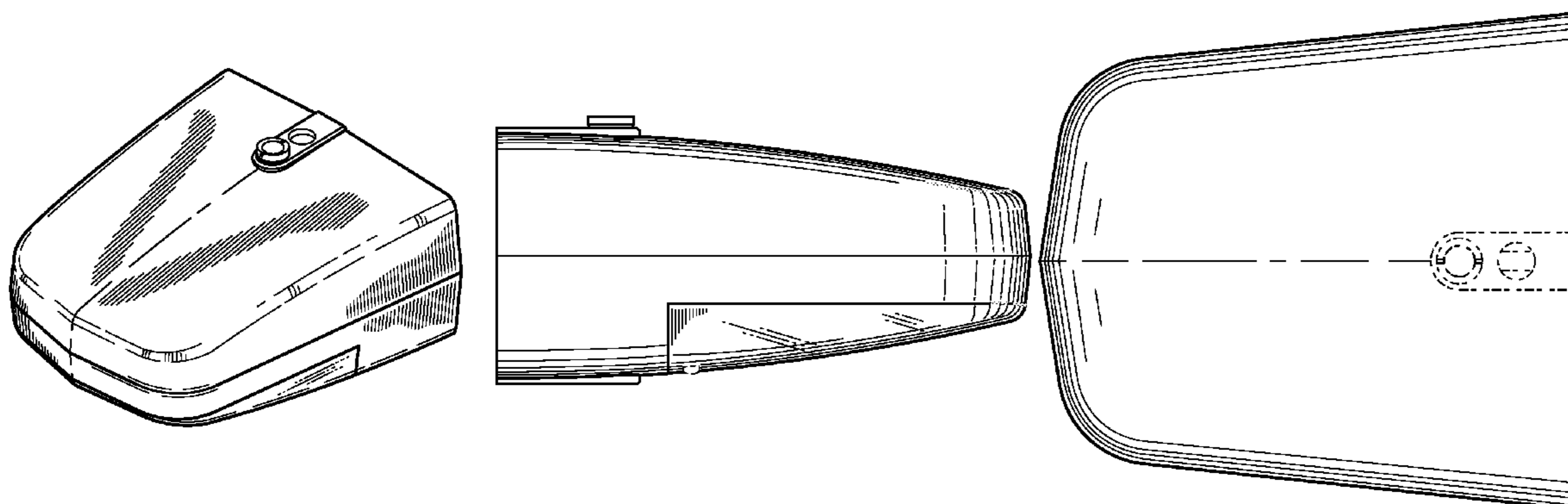


FIG. 1

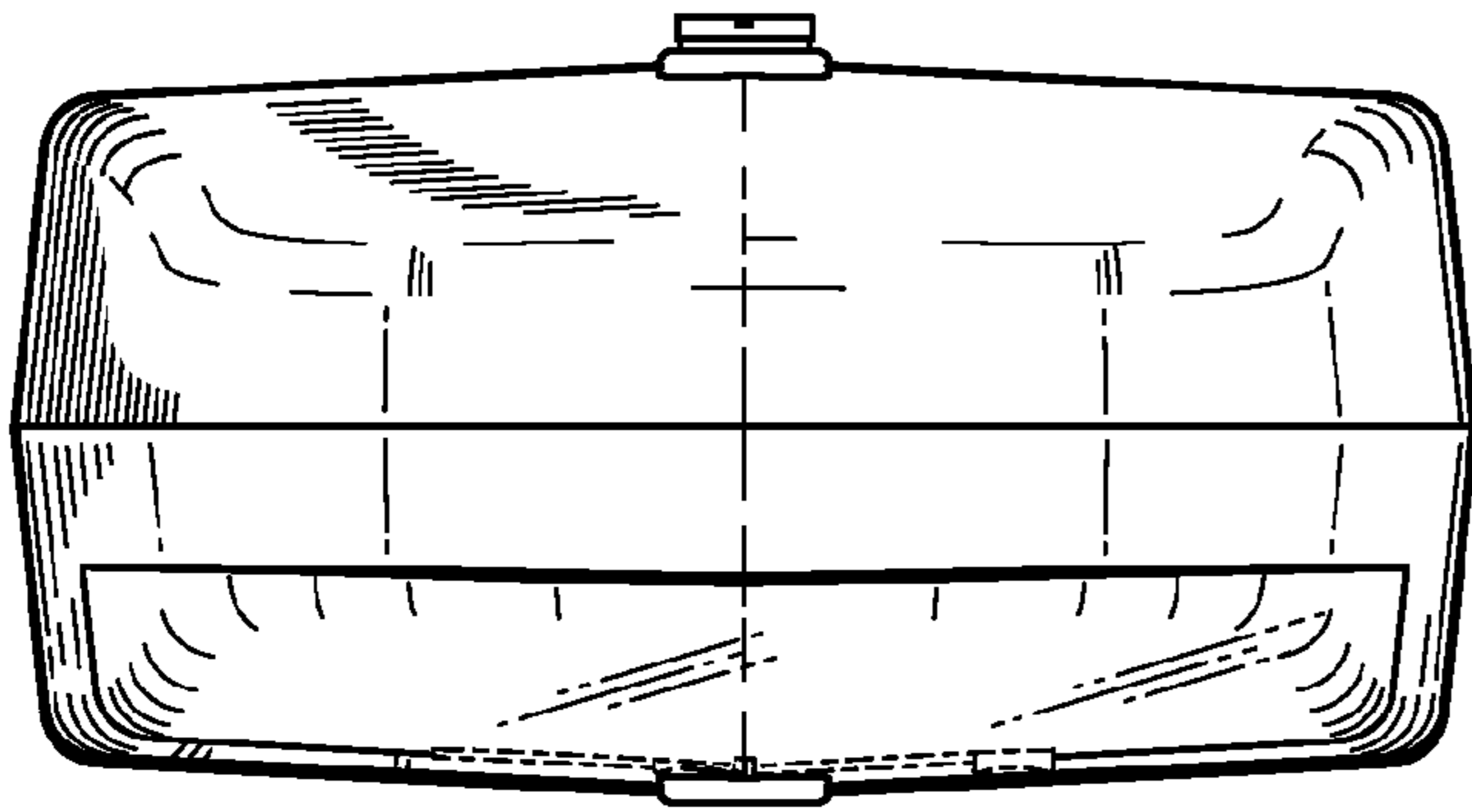
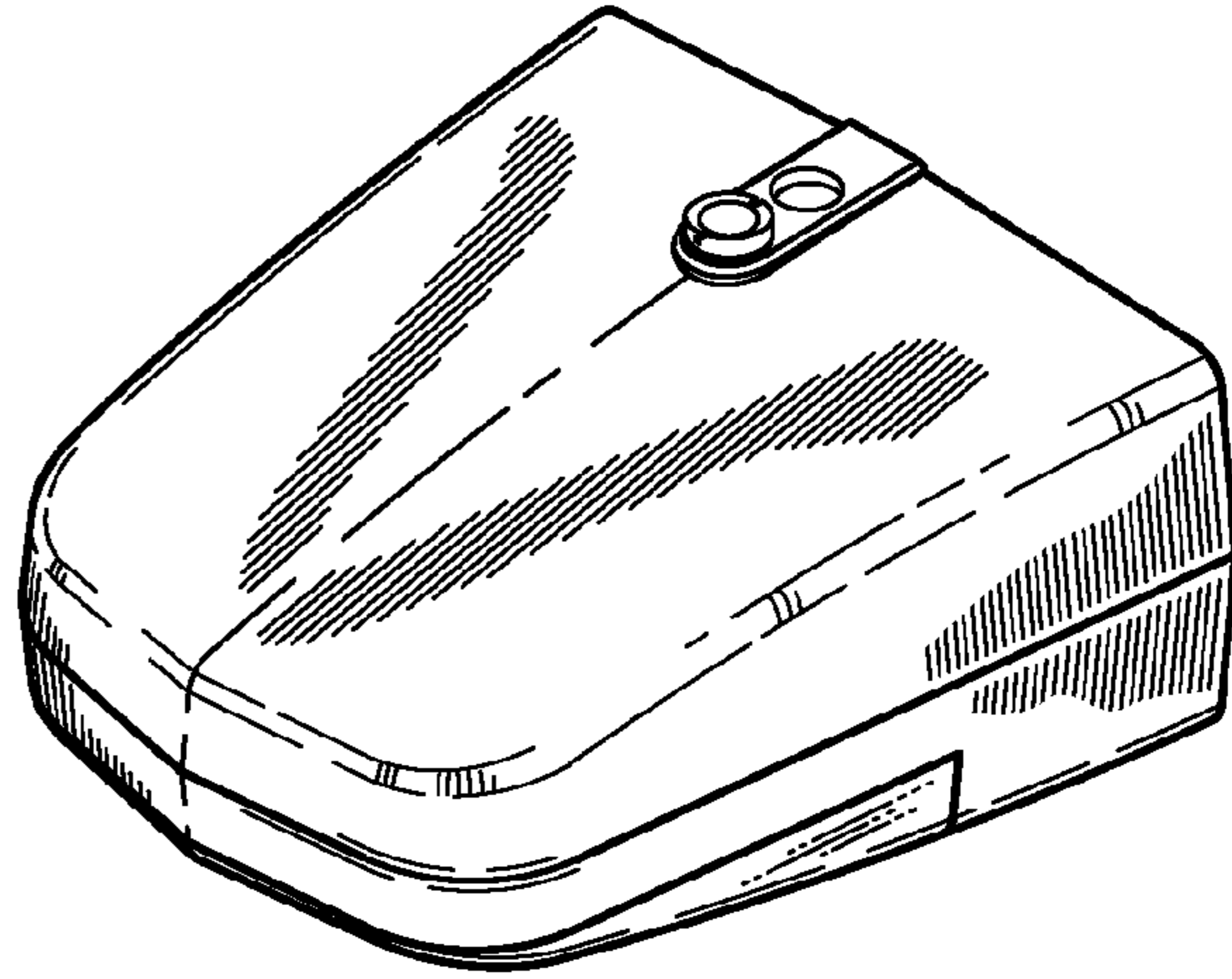


FIG. 2

FIG. 3

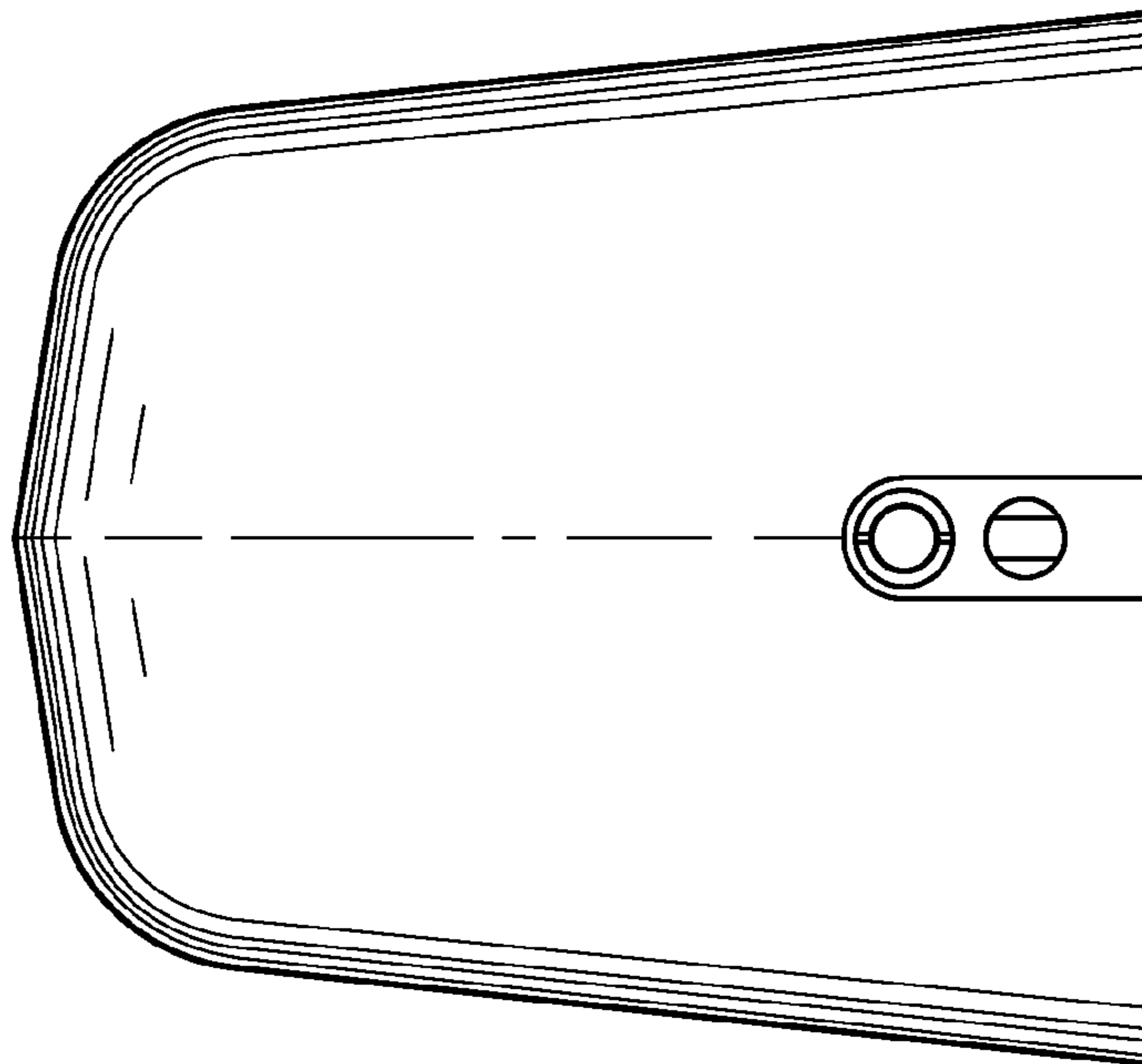


FIG. 4

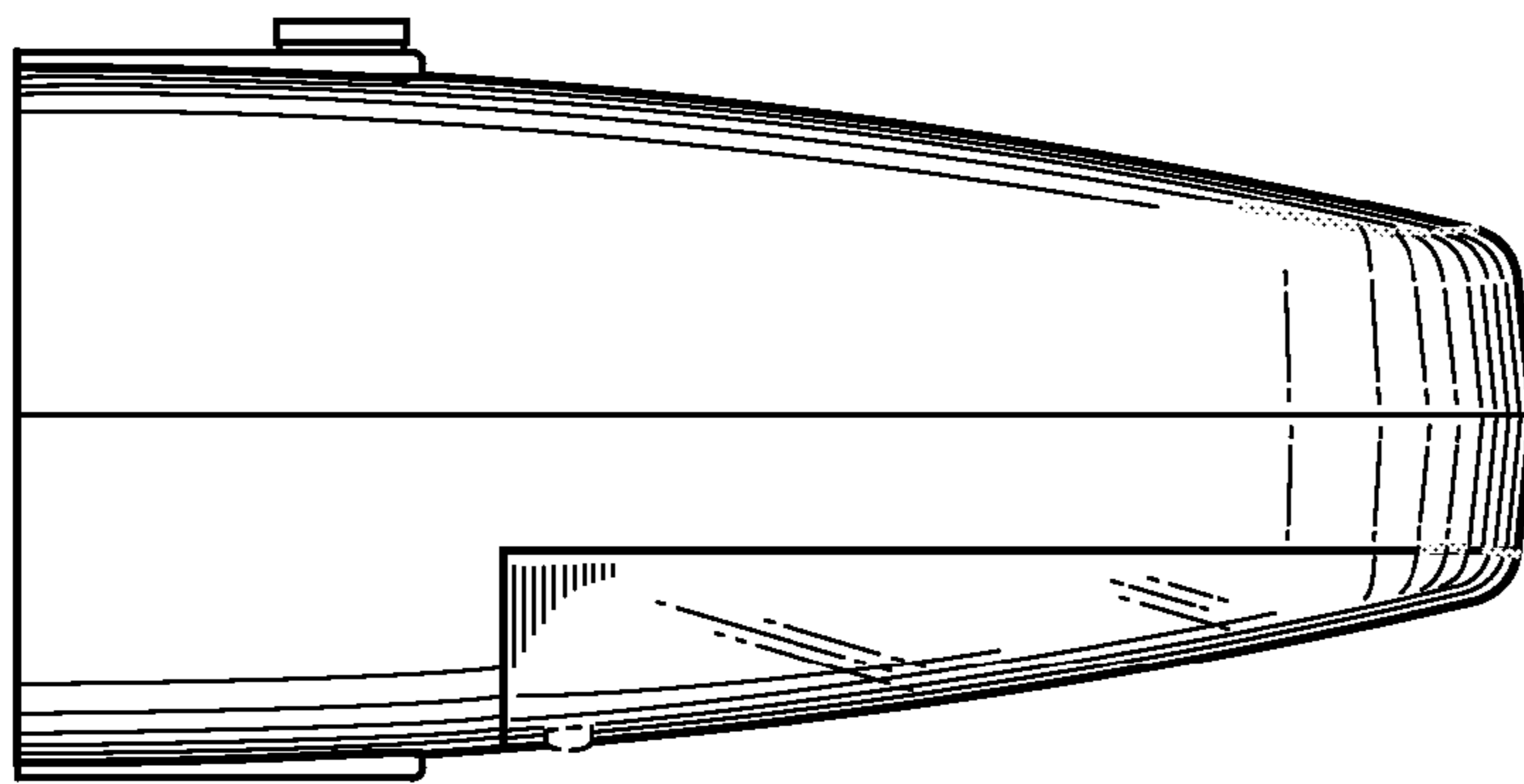
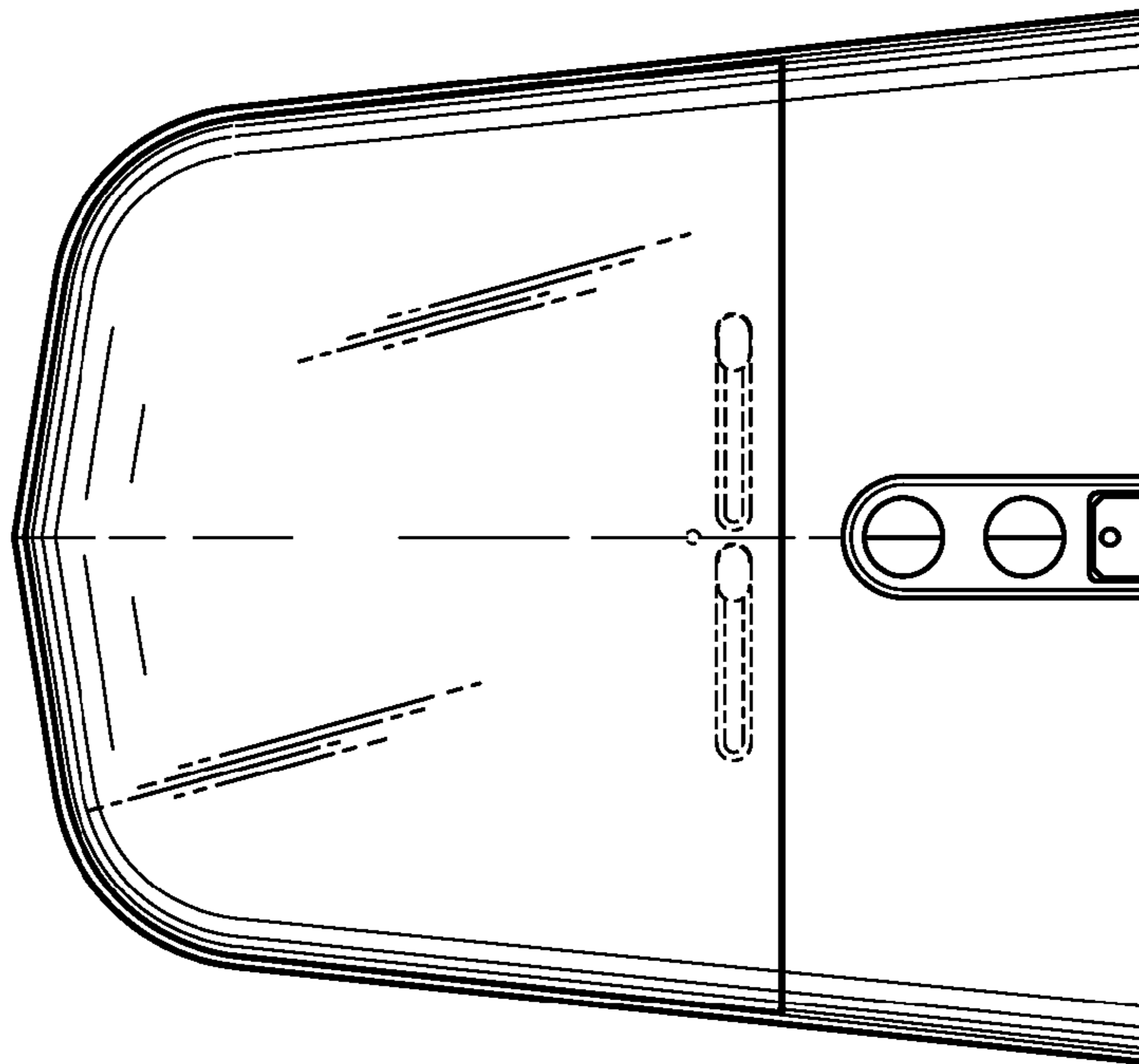


FIG. 5

FIG. 6

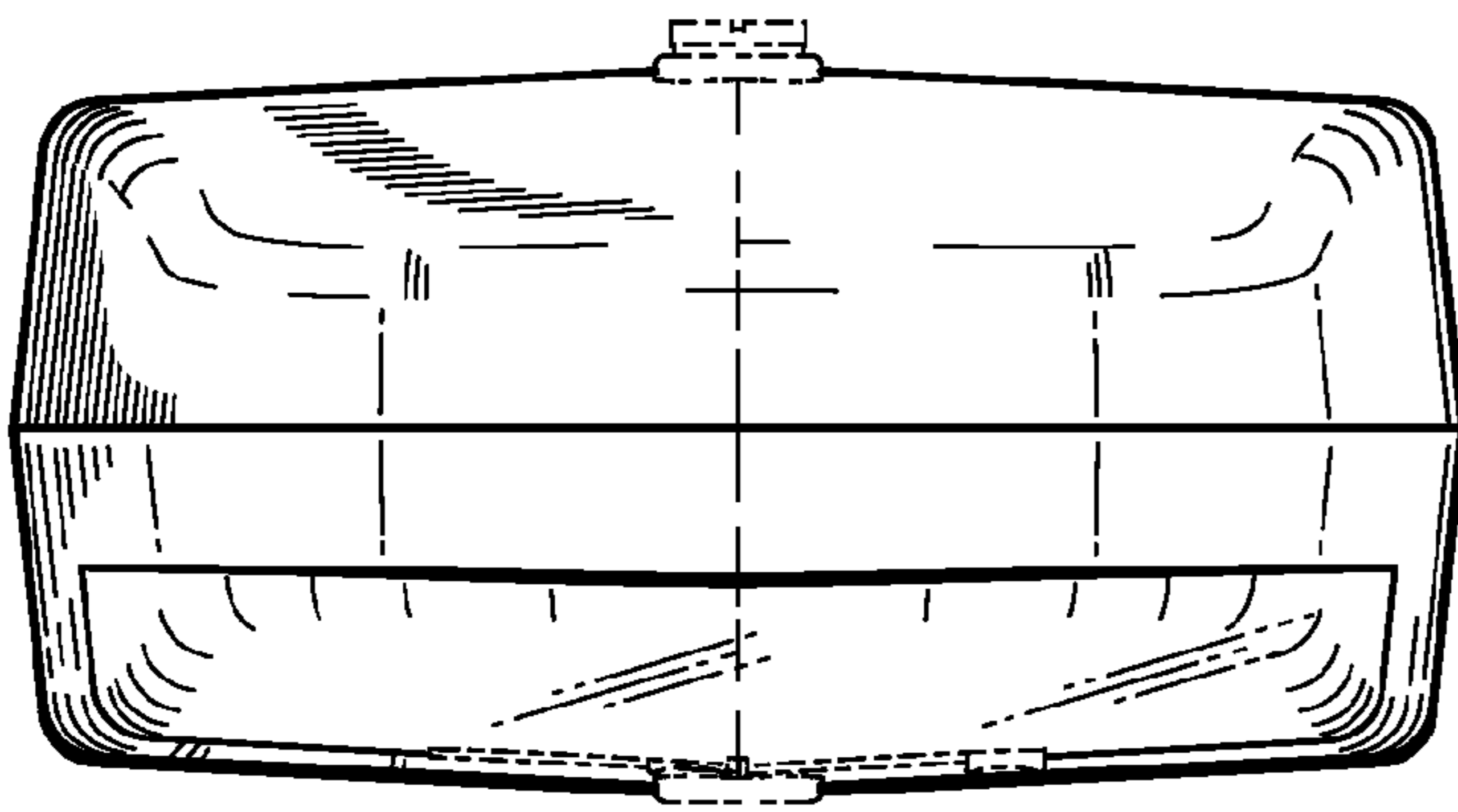
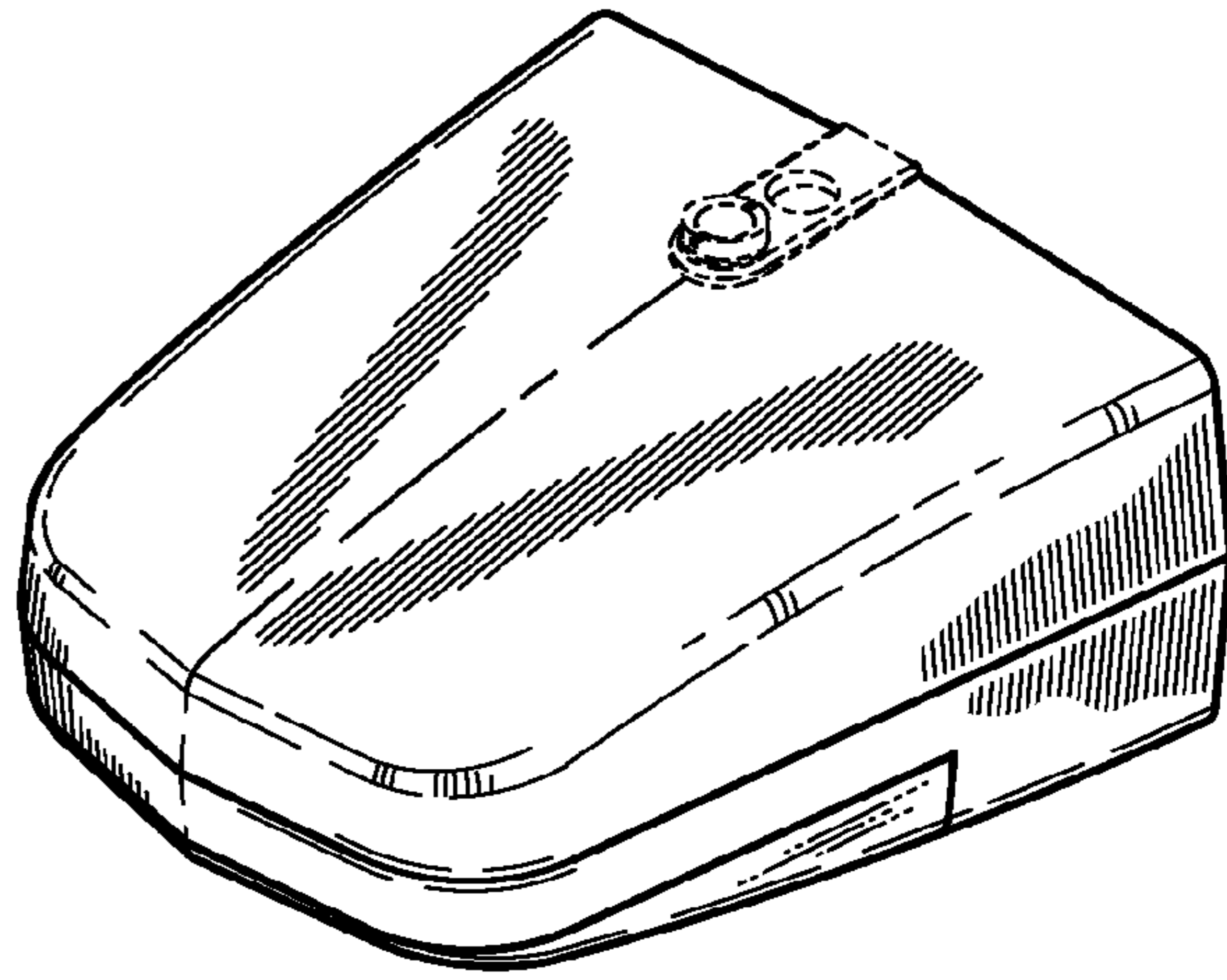


FIG. 7

FIG. 8

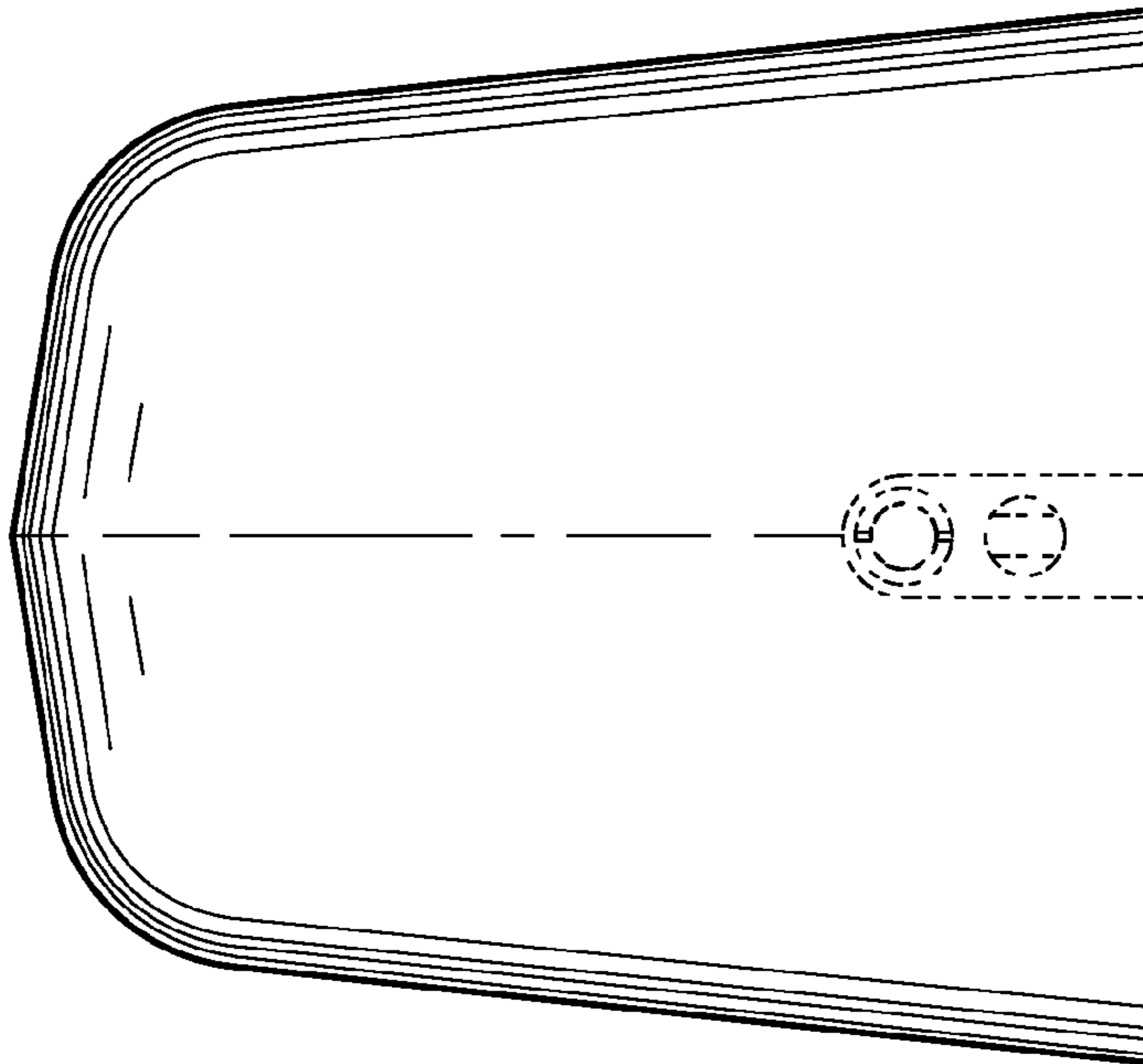


FIG. 9

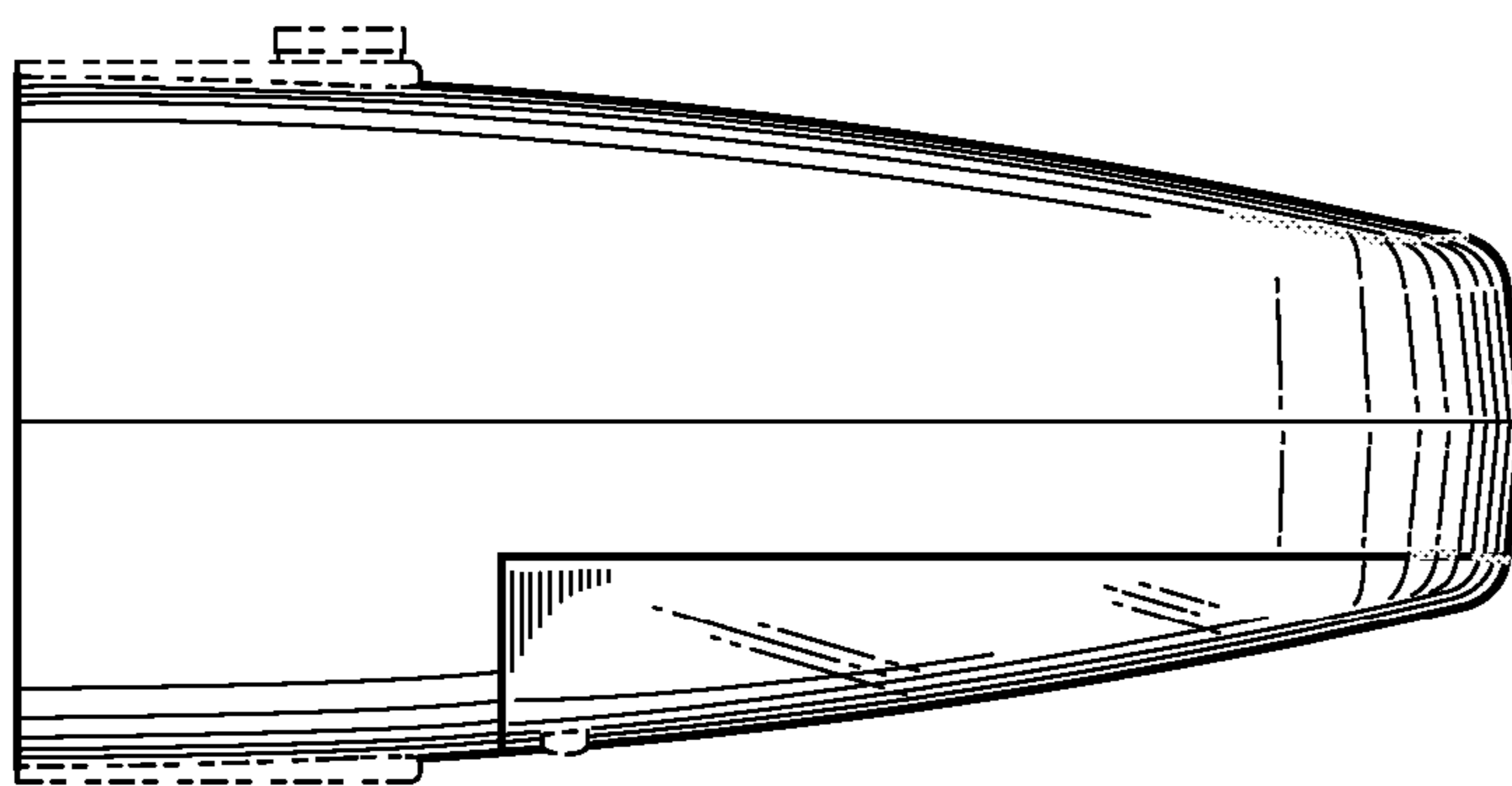
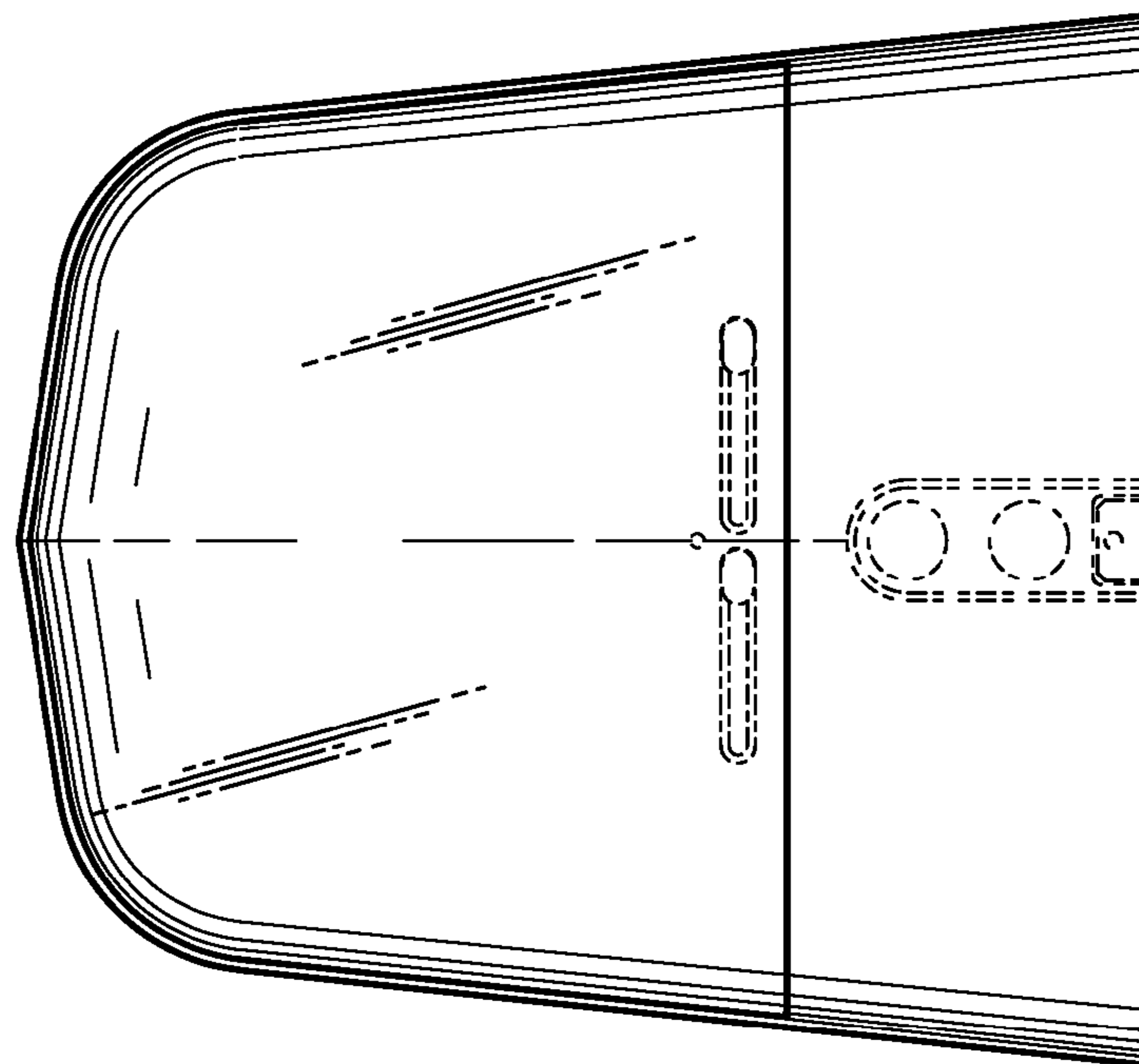


FIG. 10