

US00D568523S

(12) **United States Design Patent**
Goetz-Schaefer

(10) **Patent No.:** **US D568,523 S**

(45) **Date of Patent:** **** May 6, 2008**

(54) **WALL LIGHT**

(75) Inventor: **Katharina Goetz-Schaefer**, Bad Salzufflen (DE)

(73) Assignee: **Zumtobel Lighting GmbH & Co. KG**, Lemgo (DE)

(**) Term: **14 Years**

(21) Appl. No.: **29/264,620**

(22) Filed: **Aug. 14, 2006**

(30) **Foreign Application Priority Data**

Feb. 16, 2006 (EM) 000480504-0001
Feb. 16, 2006 (EM) 000480504-0002

(51) **LOC (8) Cl.** **26-03**

(52) **U.S. Cl.** **D26/85**

(58) **Field of Classification Search** D26/72,
D26/85-89; 362/147, 431, 432, 362
See application file for complete search history.

(56) **References Cited**

U.S. PATENT DOCUMENTS

D148,036 S * 12/1947 Robinson D26/85
D152,889 S * 3/1949 Kuhler D11/140
D298,059 S * 10/1988 Muller D26/86

D422,107 S * 3/2000 Meier D26/87
D487,528 S * 3/2004 Christensen et al. D26/79
D496,485 S * 9/2004 Stekelenburg D26/72

* cited by examiner

Primary Examiner—Clare E Heflin

(74) *Attorney, Agent, or Firm*—Marshall, Gerstein & Borun LLP

(57) **CLAIM**

The ornamental design for a wall light, as shown.

DESCRIPTION

FIG. 1 is a front, bottom and one side perspective view of the wall light showing the new design;

FIG. 2 is a rear, top and opposite side perspective view thereof;

FIG. 3 is a rear, bottom perspective view thereof;

FIG. 4 is a front elevation view thereof;

FIG. 5 is a side elevation view thereof;

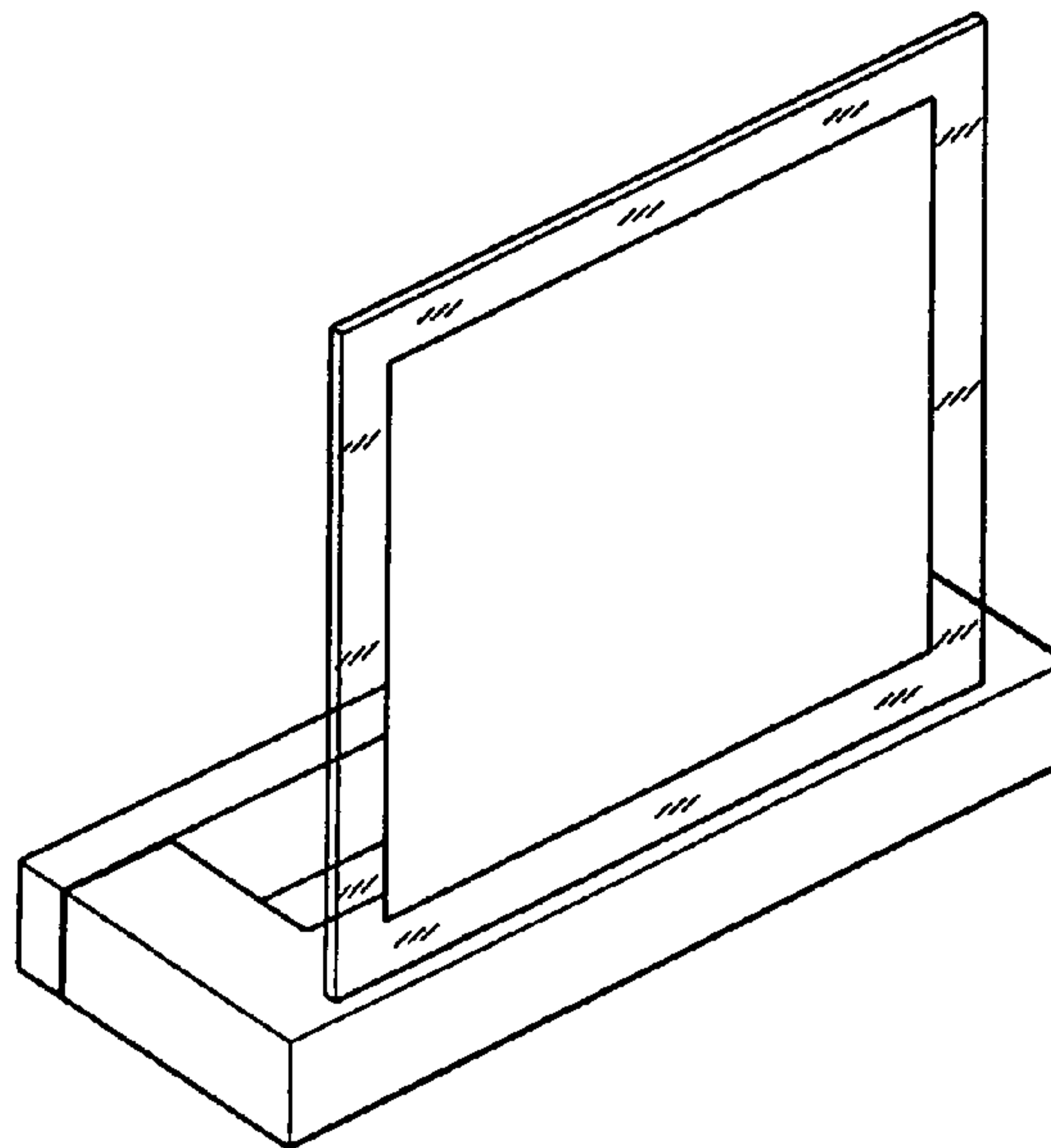
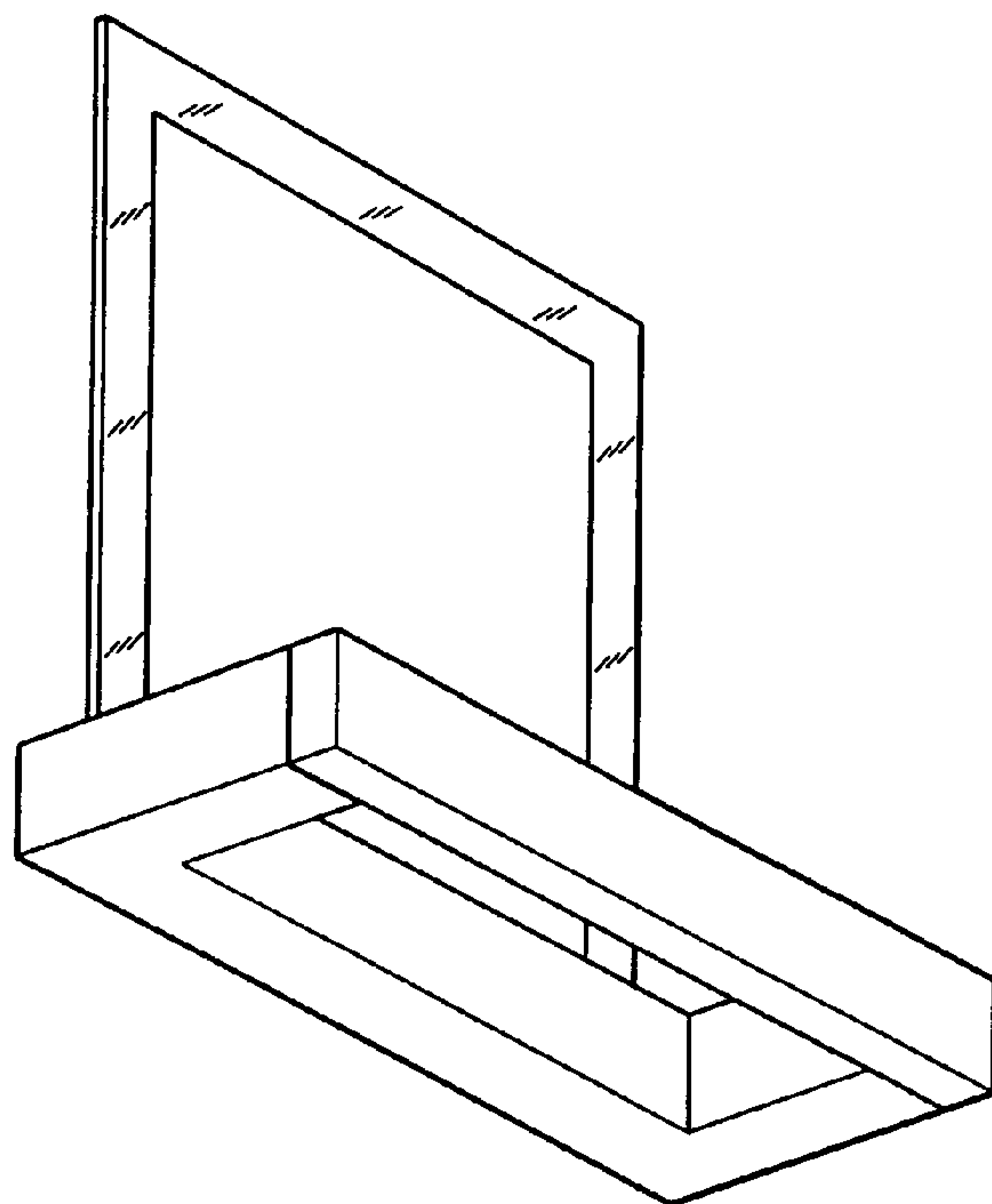
FIG. 6 is a rear elevation view thereof;

FIG. 7 is an opposite side elevation view thereof;

FIG. 8 is a top plan view thereof; and,

FIG. 9 is a bottom plan view thereof.

1 Claim, 3 Drawing Sheets



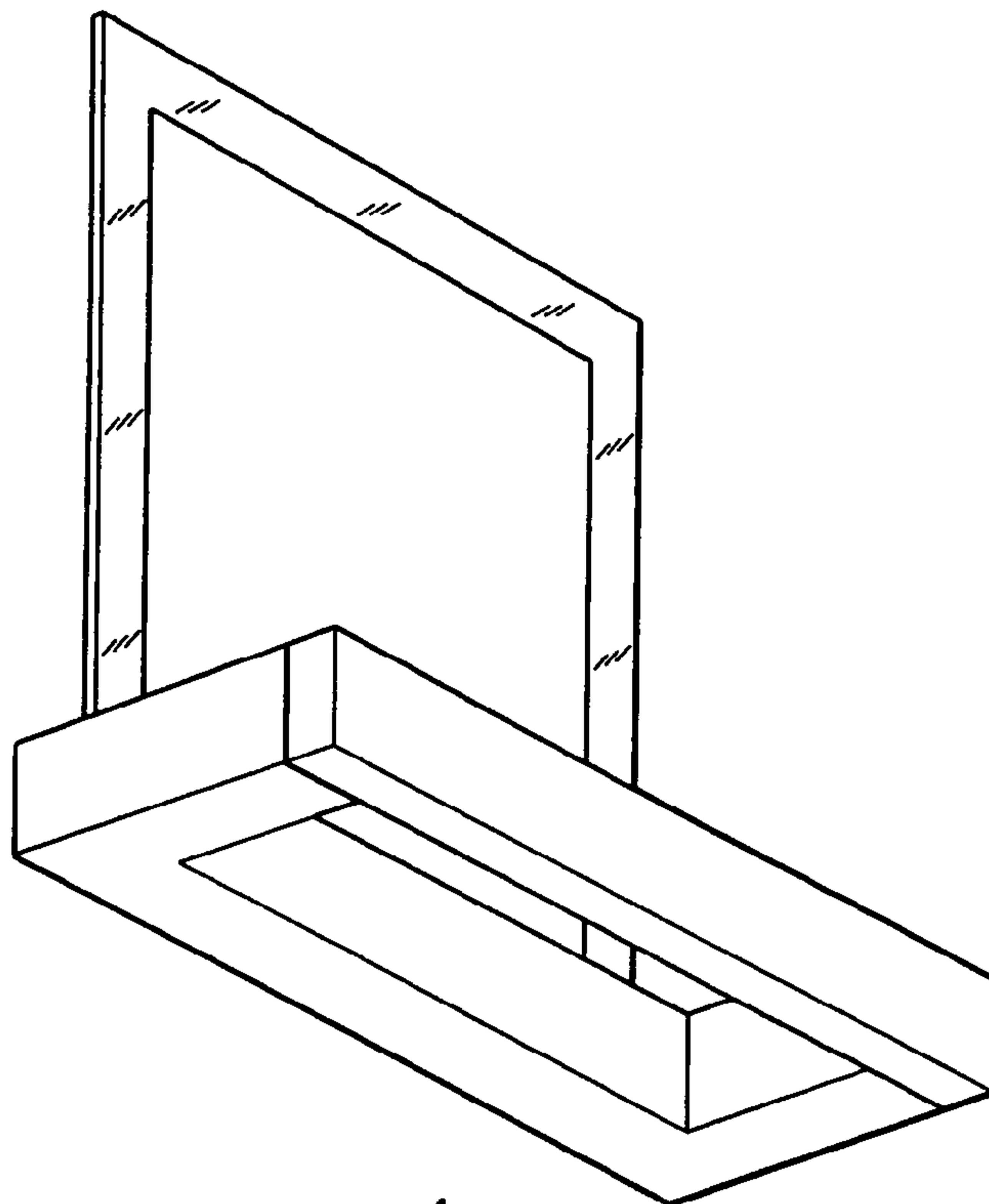


Fig. 1

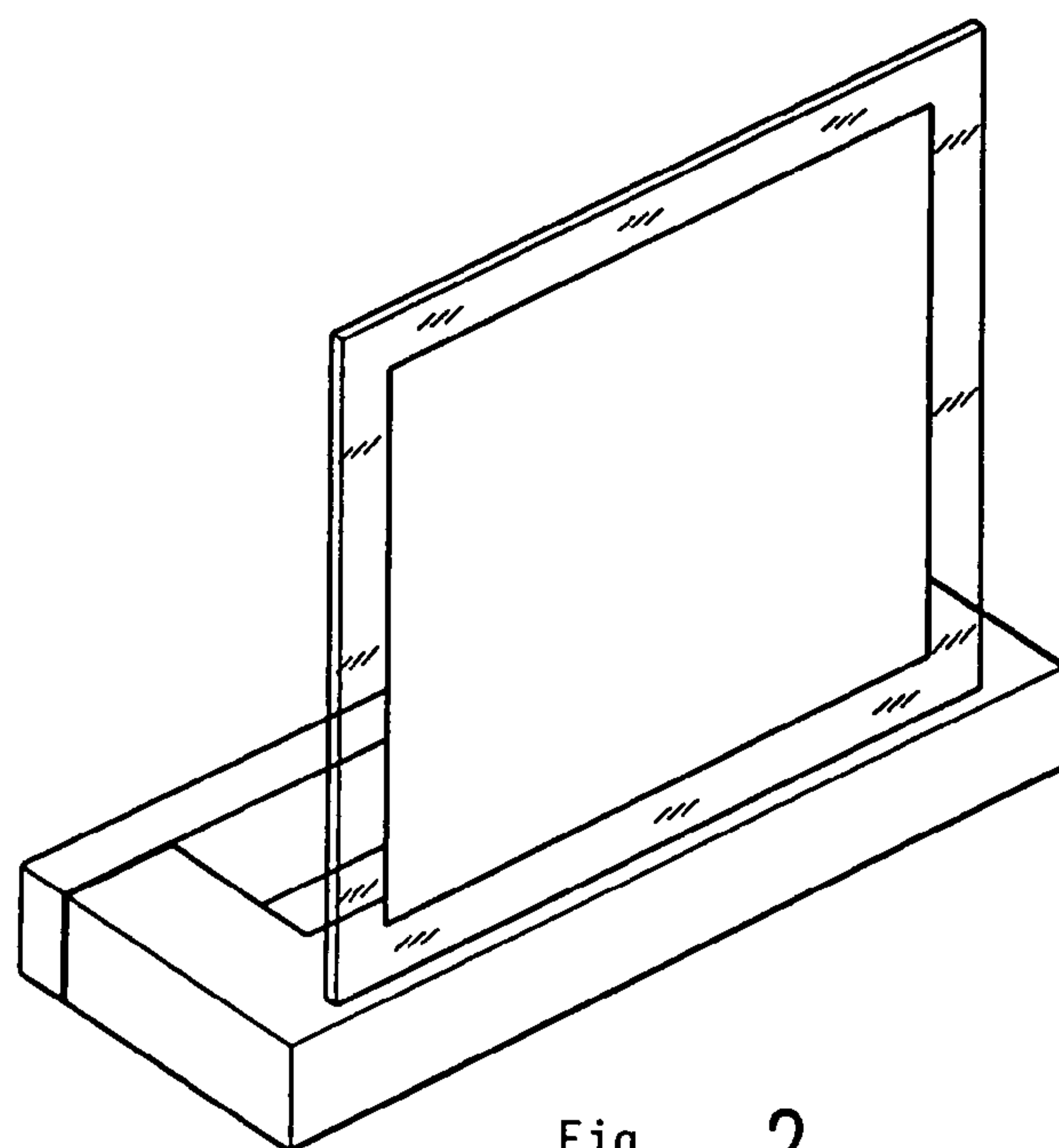


Fig. 2

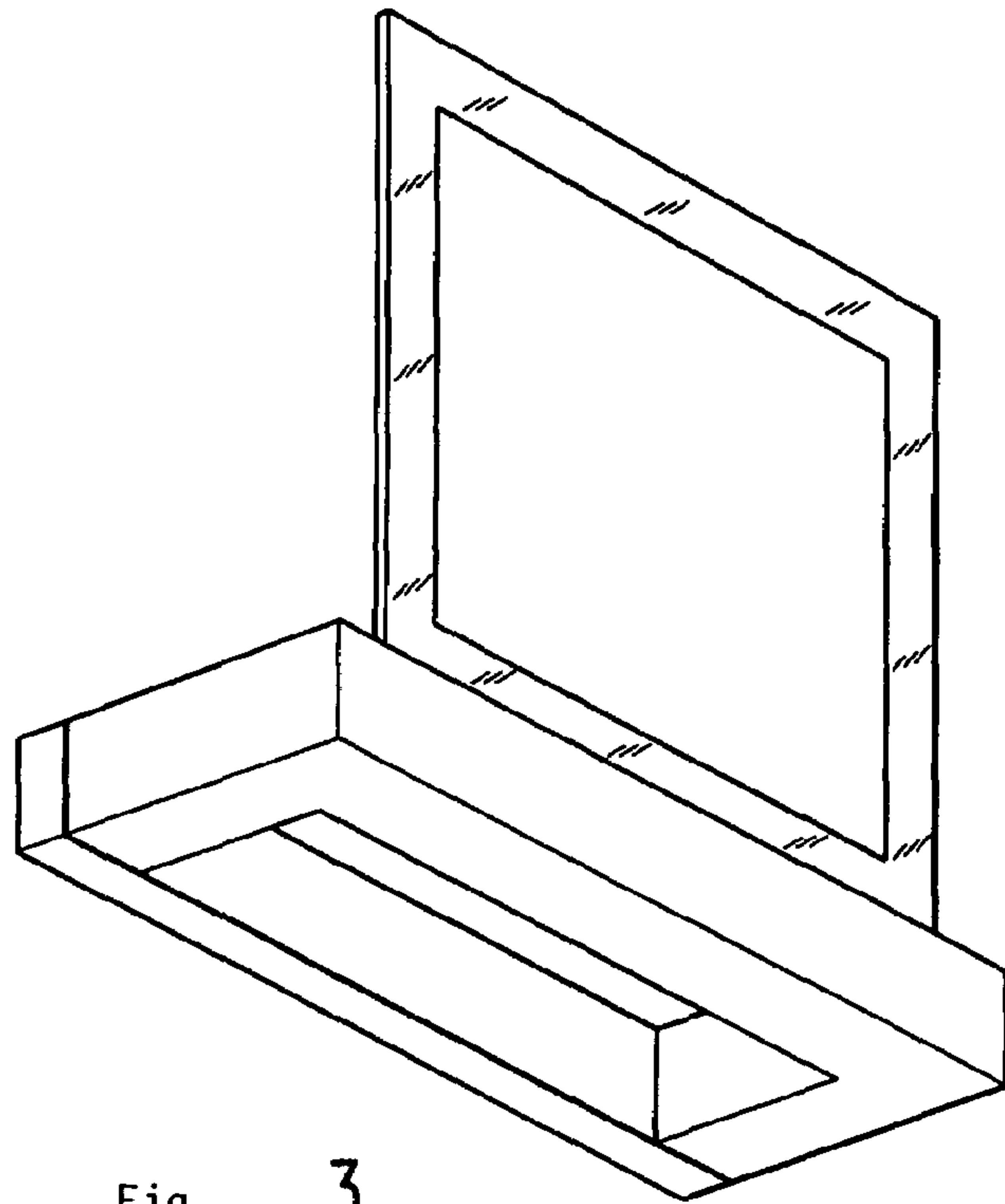


Fig. 3

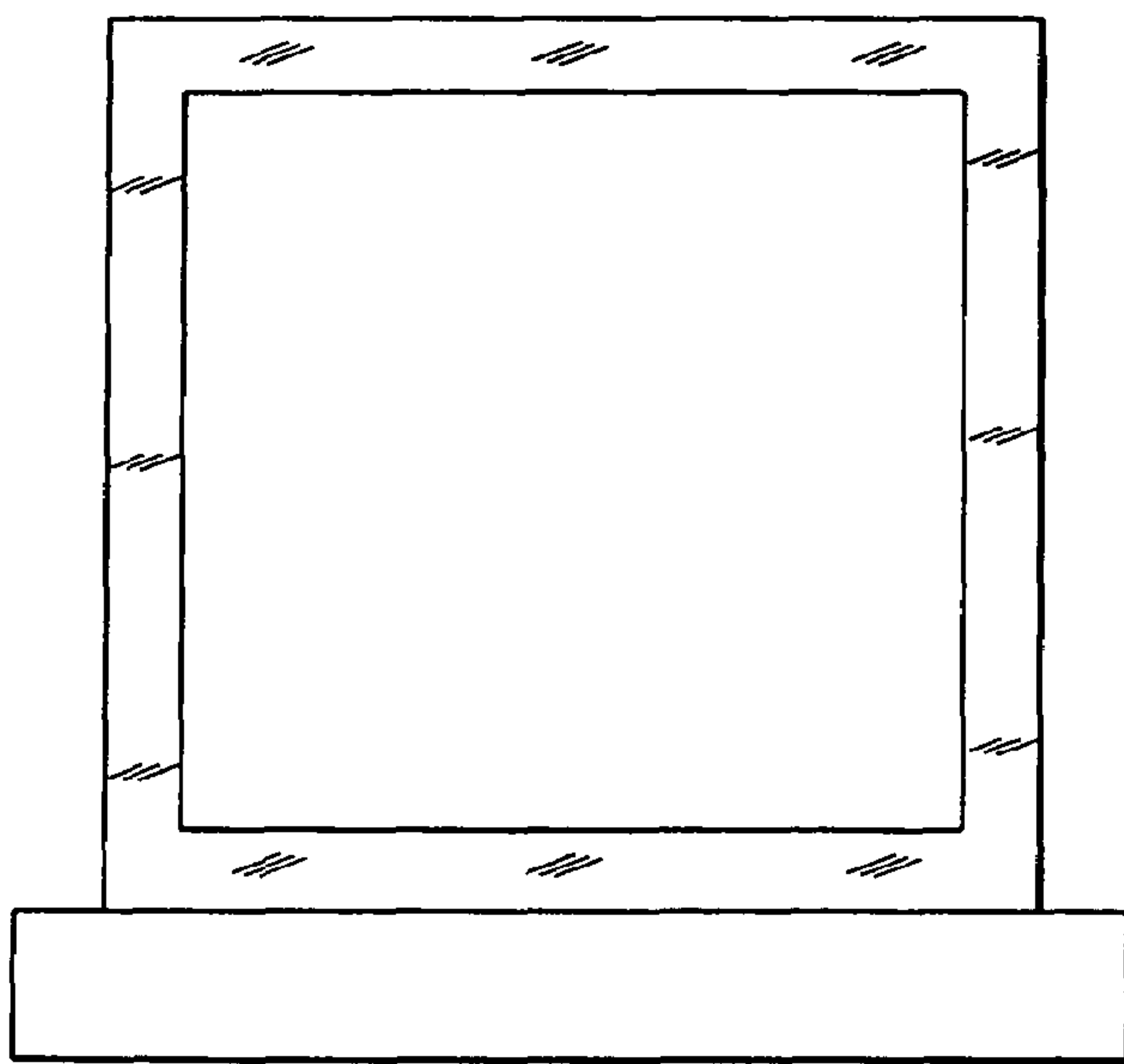


Fig. 4

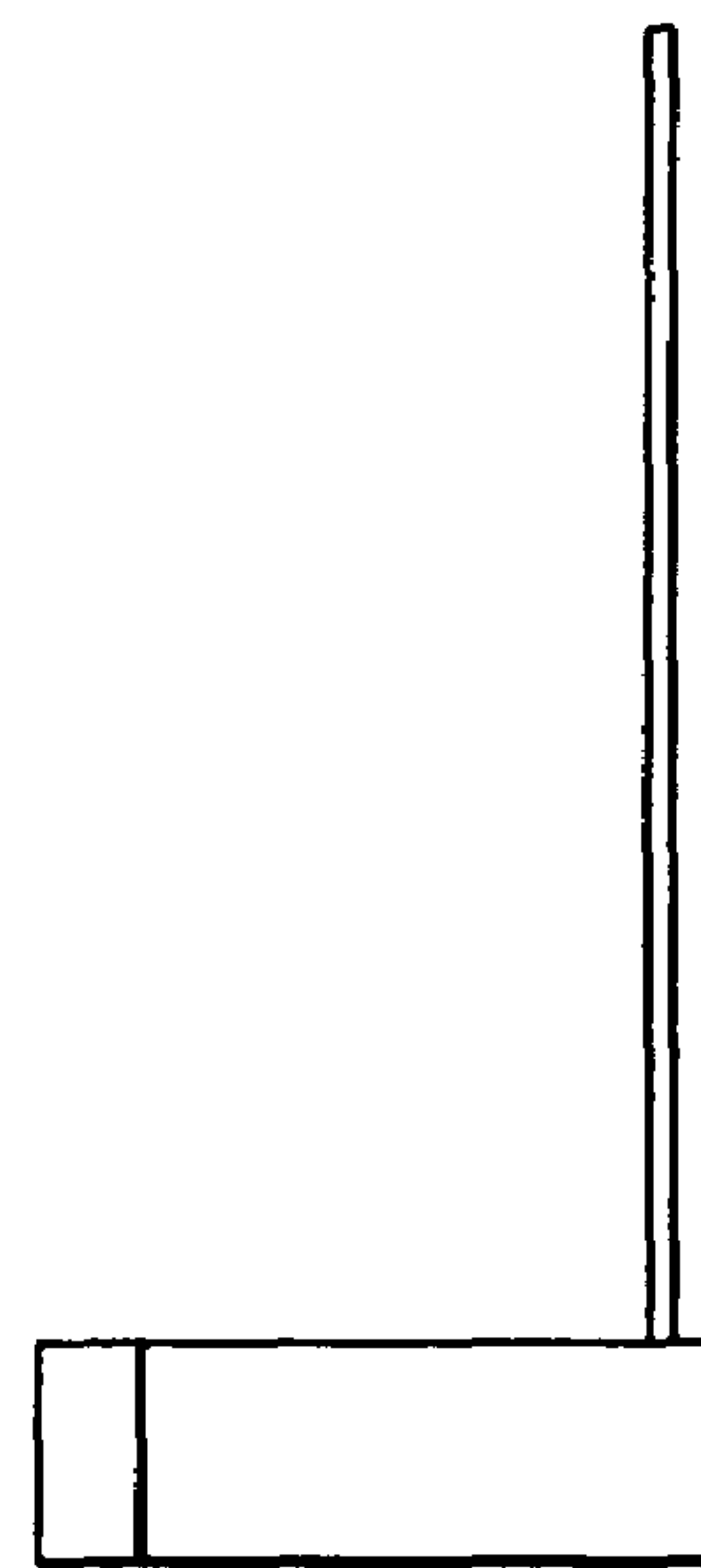


Fig. 5

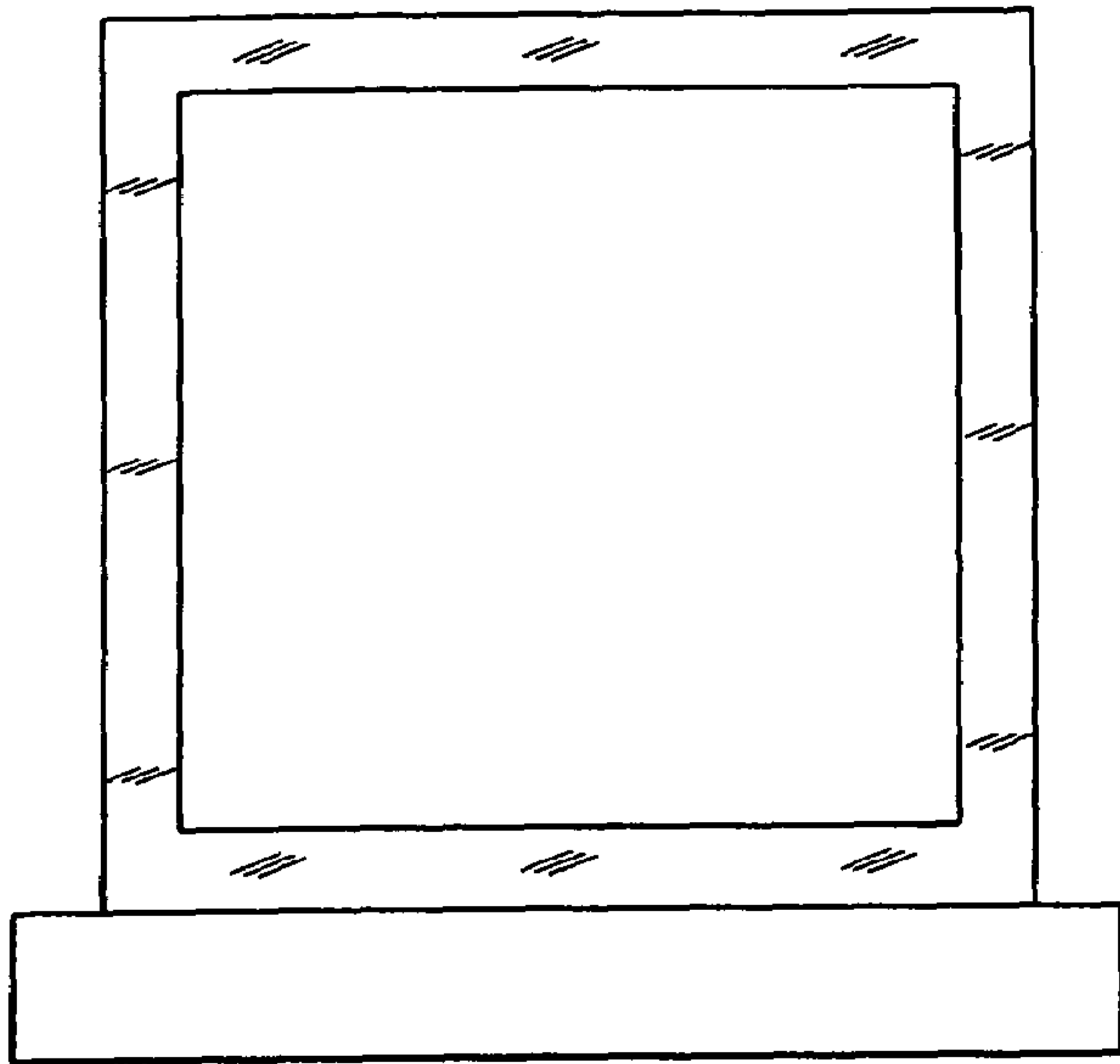


Fig. 6

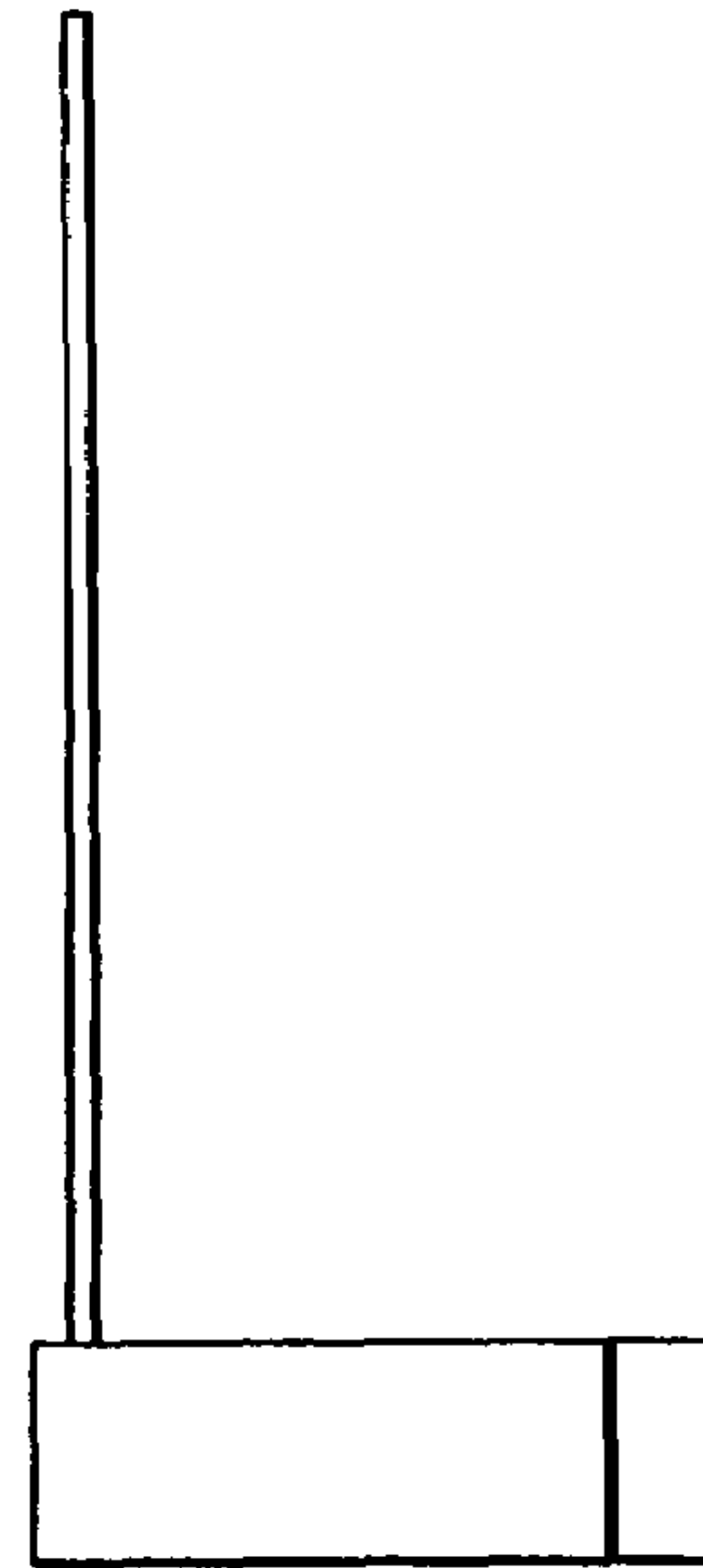


Fig. 7

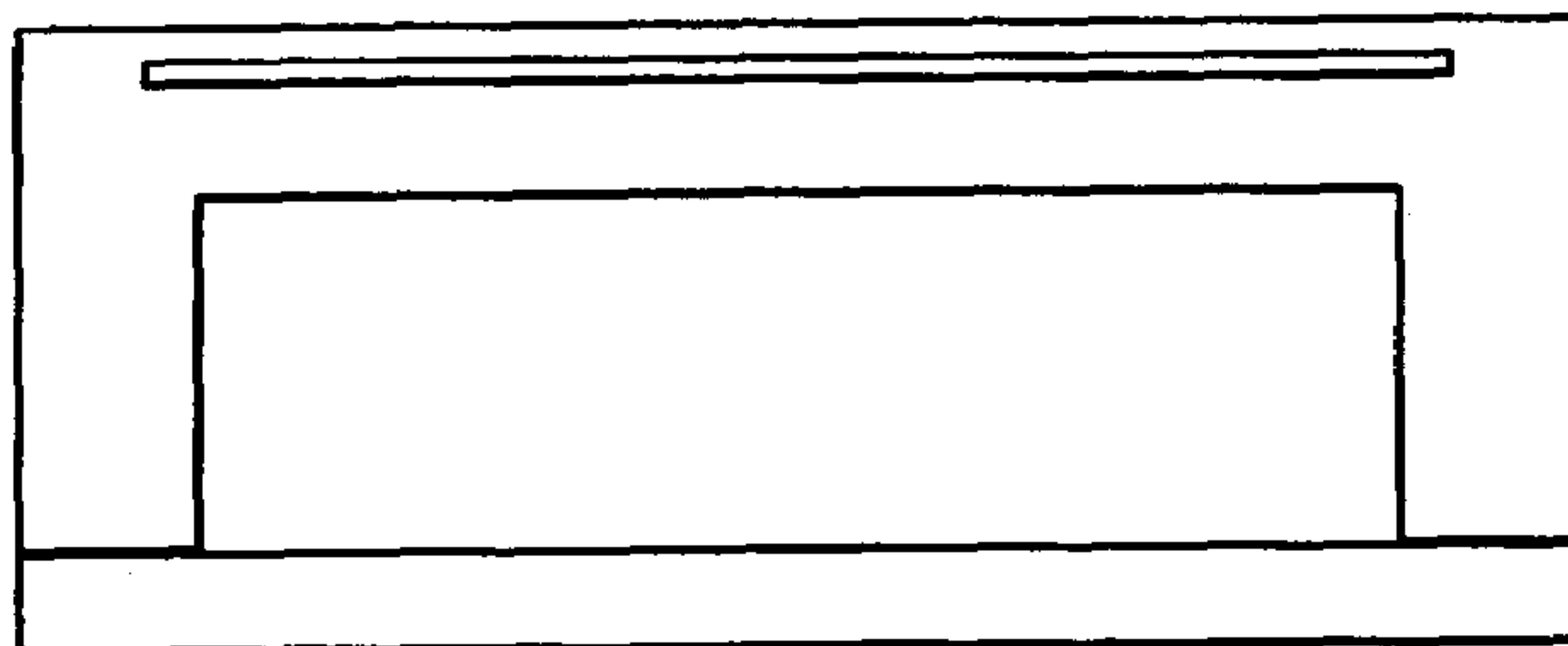


Fig. 8

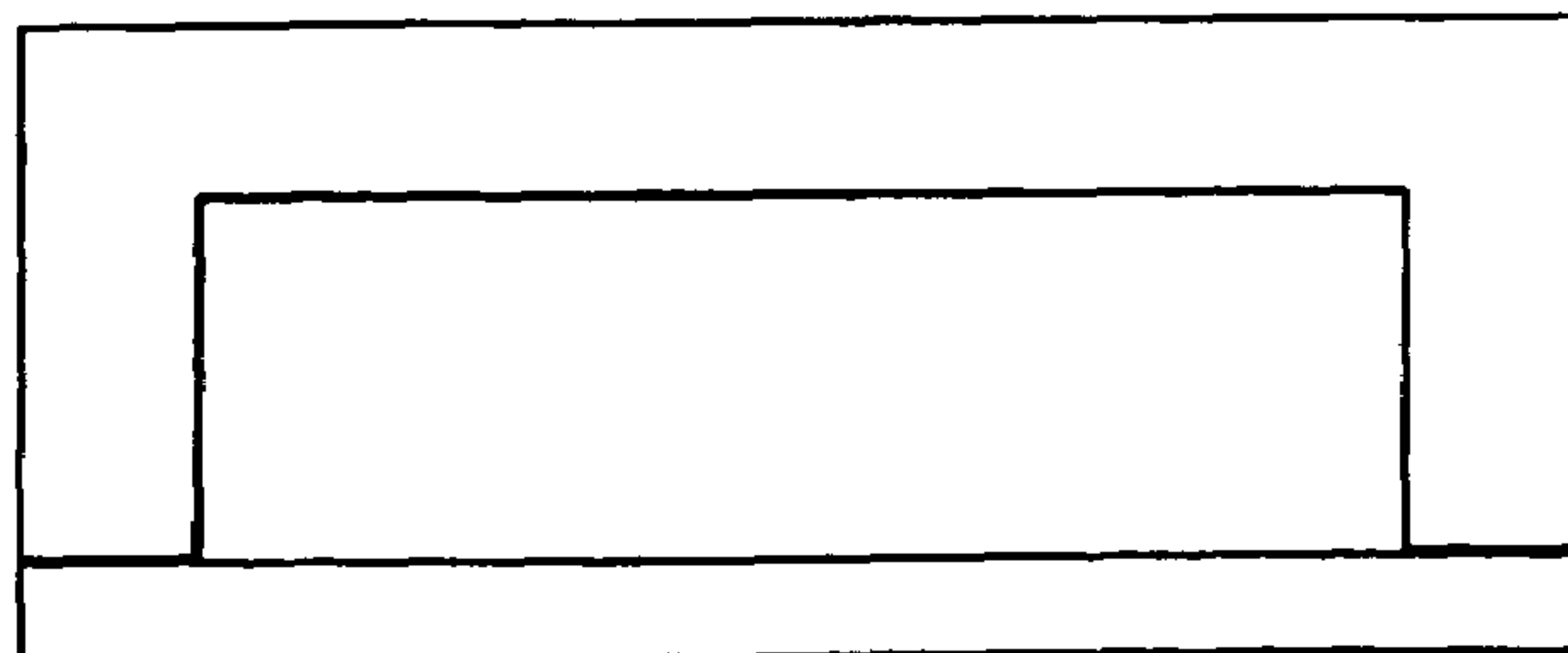


Fig. 9