



US00D568522S

(12) **United States Design Patent**
Engel

(10) **Patent No.:** **US D568,522 S**

(45) **Date of Patent:** **** May 6, 2008**

(54) **LIGHTING FIXTURE**

(76) Inventor: **Hartmut S. Engel**, Monrepos Strasse 7,
Ludwigsburg (DE) 71634

(**) Term: **14 Years**

(21) Appl. No.: **29/249,569**

(22) Filed: **Oct. 12, 2006**

(30) **Foreign Application Priority Data**

Apr. 13, 2006 (EM) 000526702

(51) **LOC (8) Cl.** **26-03**

(52) **U.S. Cl.** **D26/74; D26/78**

(58) **Field of Classification Search** D26/35,
D26/72, 74-79, 81-92; 362/147, 217-225,
362/260, 283, 347, 363

See application file for complete search history.

(56) **References Cited**

U.S. PATENT DOCUMENTS

D107,878	S	*	1/1938	Levy	D26/74
D165,259	S	*	11/1951	Baker	D26/74
2,675,466	A	*	4/1954	Baker	362/308
2,826,684	A	*	3/1958	Baker	362/306
D209,536	S	*	12/1967	McCain	D26/74
D264,007	S	*	4/1982	Heritage	D26/74
5,457,617	A	*	10/1995	Chan et al.	362/366
D469,212	S	*	1/2003	Chiu	D26/118
6,634,764	B2	*	10/2003	Kotovskiy et al.	362/148
6,779,908	B1	*	8/2004	Ng	362/147
D544,128	S	*	6/2007	Carro	D26/74
2001/0040809	A1	*	11/2001	Sools et al.	362/343
2006/0245178	A1	*	11/2006	Engel	362/147

FOREIGN PATENT DOCUMENTS

EP	000123864	1/2004
EP	000125224	1/2004

EP 000233184 9/2004

* cited by examiner

Primary Examiner—Robert M. Spear

Assistant Examiner—Susan E Krakower

(74) *Attorney, Agent, or Firm*—Sierra Patent Group, Ltd.

(57) **CLAIM**

The ornamental design for an lighting fixture, as shown and described.

DESCRIPTION

FIG. 1 is a bottom plan view of an lighting fixture showing my new design, in a closed position;

FIG. 2 is a bottom left perspective view thereof, in a closed position;

FIG. 3 is a bottom front perspective view thereof, in an open position;

FIG. 4 is a bottom left perspective view thereof, in an open position;

FIG. 5 is a bottom plan view thereof with the light bulb receiver angled down and center;

FIG. 6 is a bottom plan view thereof with the light bulb receiver angled down and left;

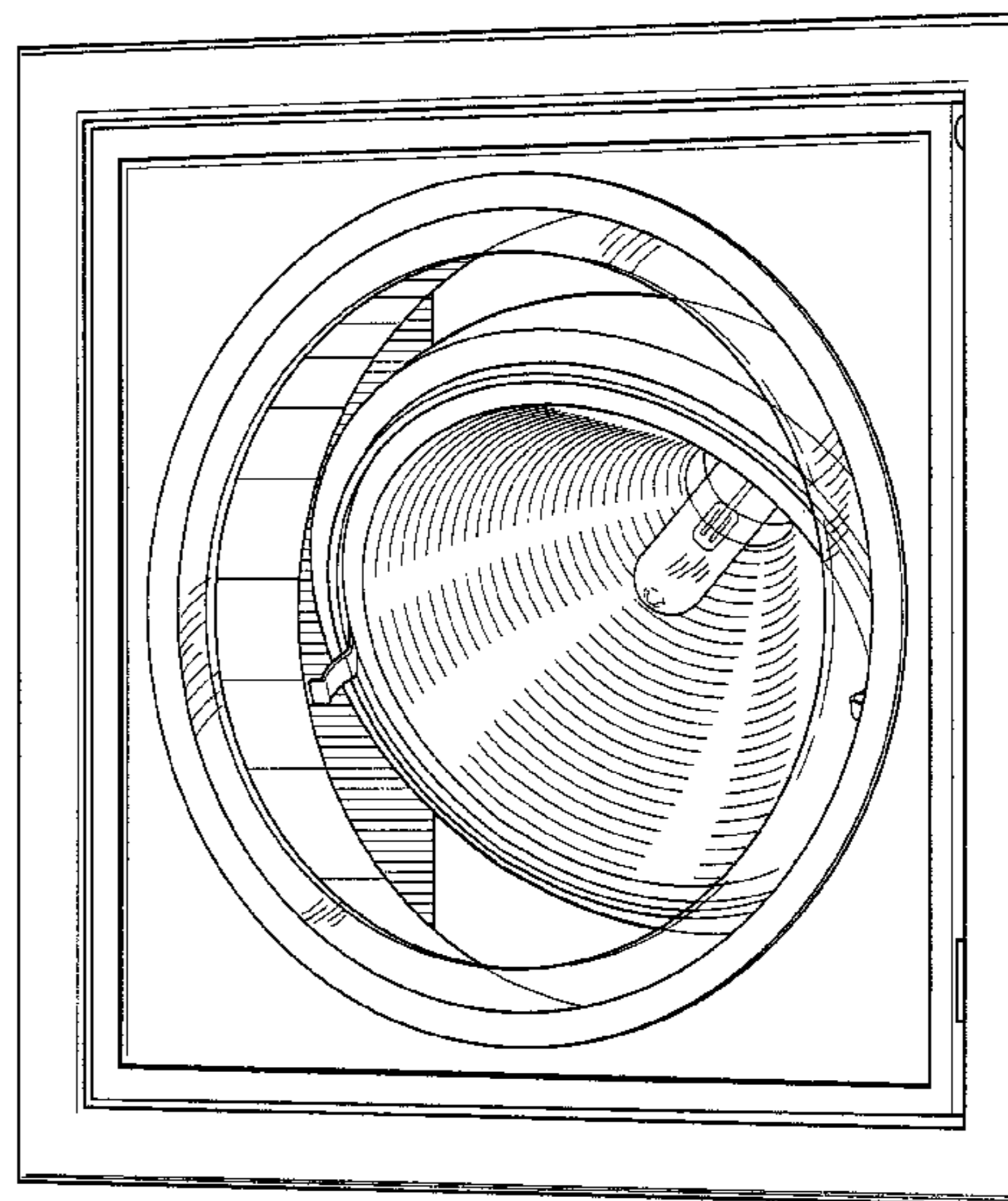
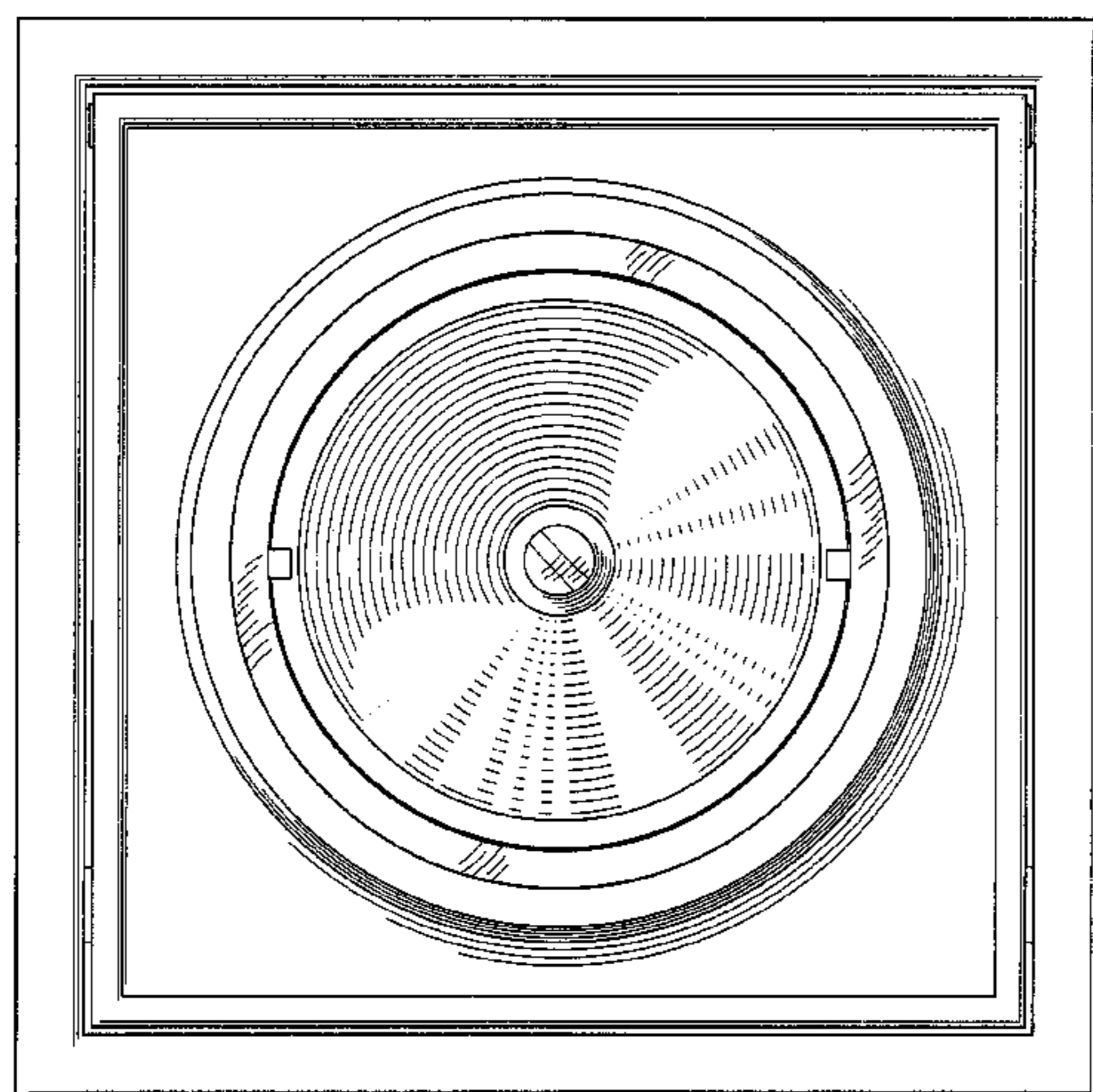
FIG. 7 is a bottom plan view thereof, with the light bulb receiver angled right and center;

FIG. 8 is a bottom plan view thereof, with the light bulb receiver angled left and center;

FIG. 9 is a bottom left perspective view thereof, in an open position with the light bulb receiver angled up and center; and,

FIG. 10 is a bottom front perspective view thereof, in an open position with the light bulb receiver angled up and center.

1 Claim, 10 Drawing Sheets



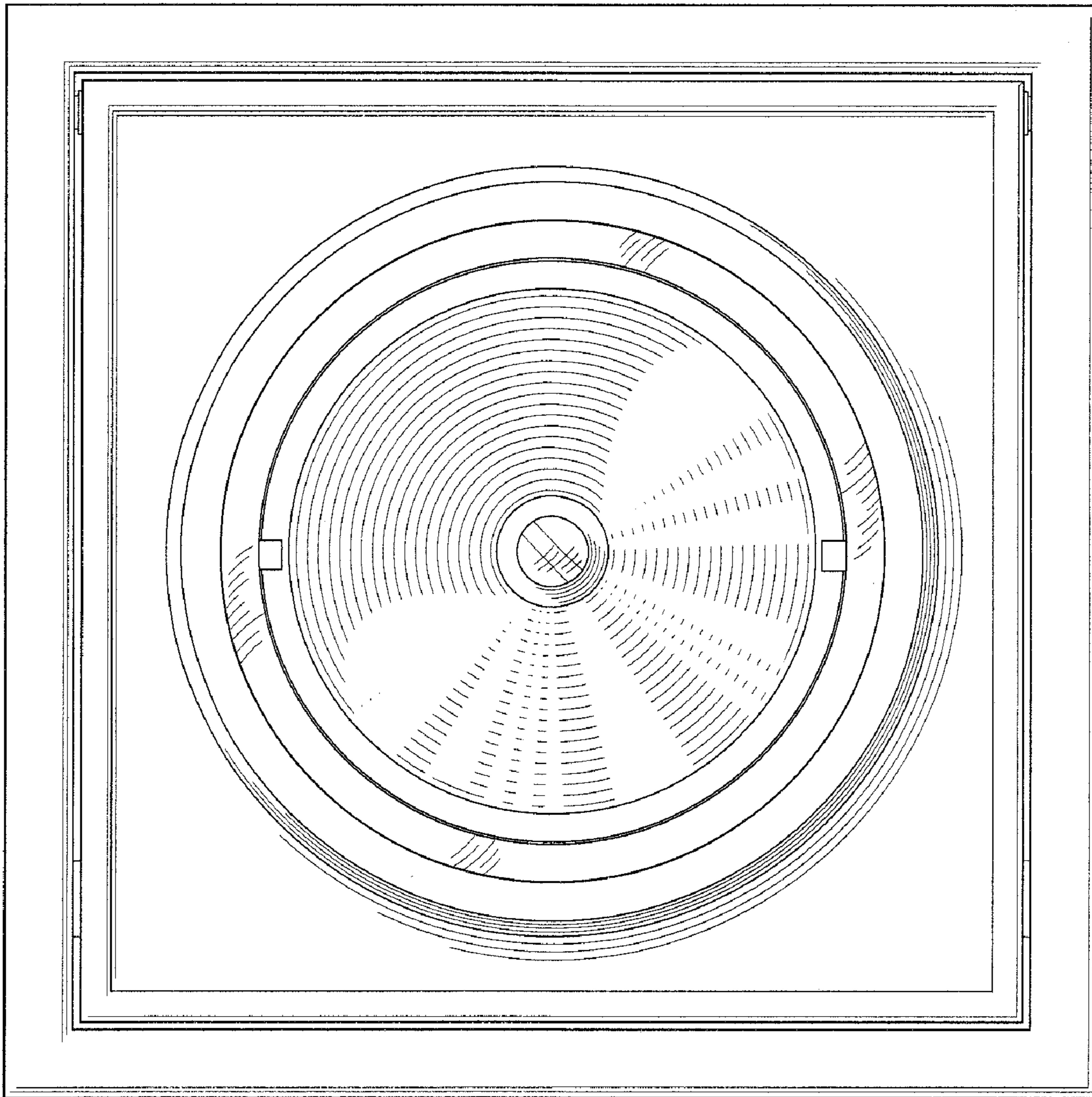


Fig. 1

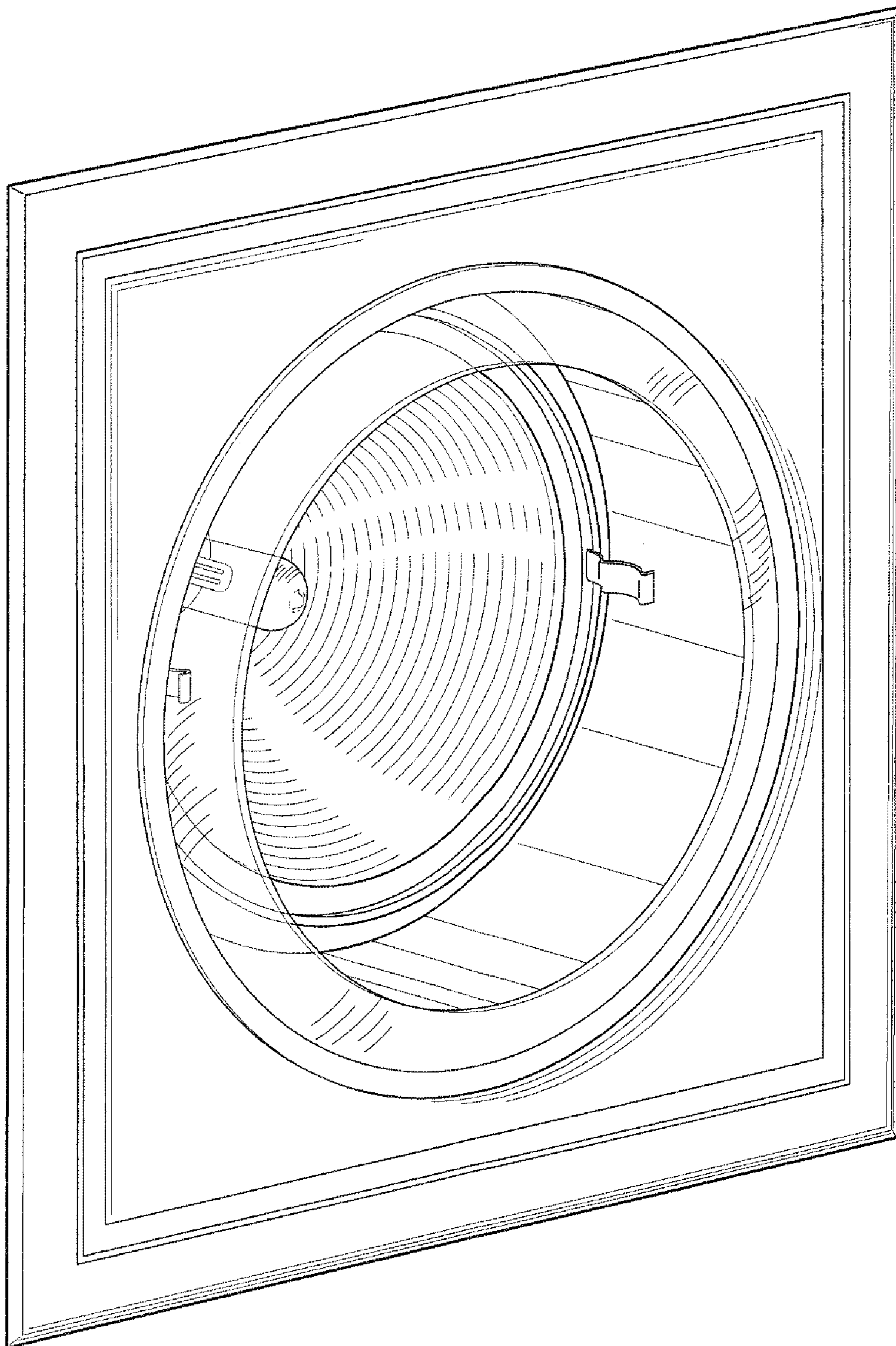


Fig. 2

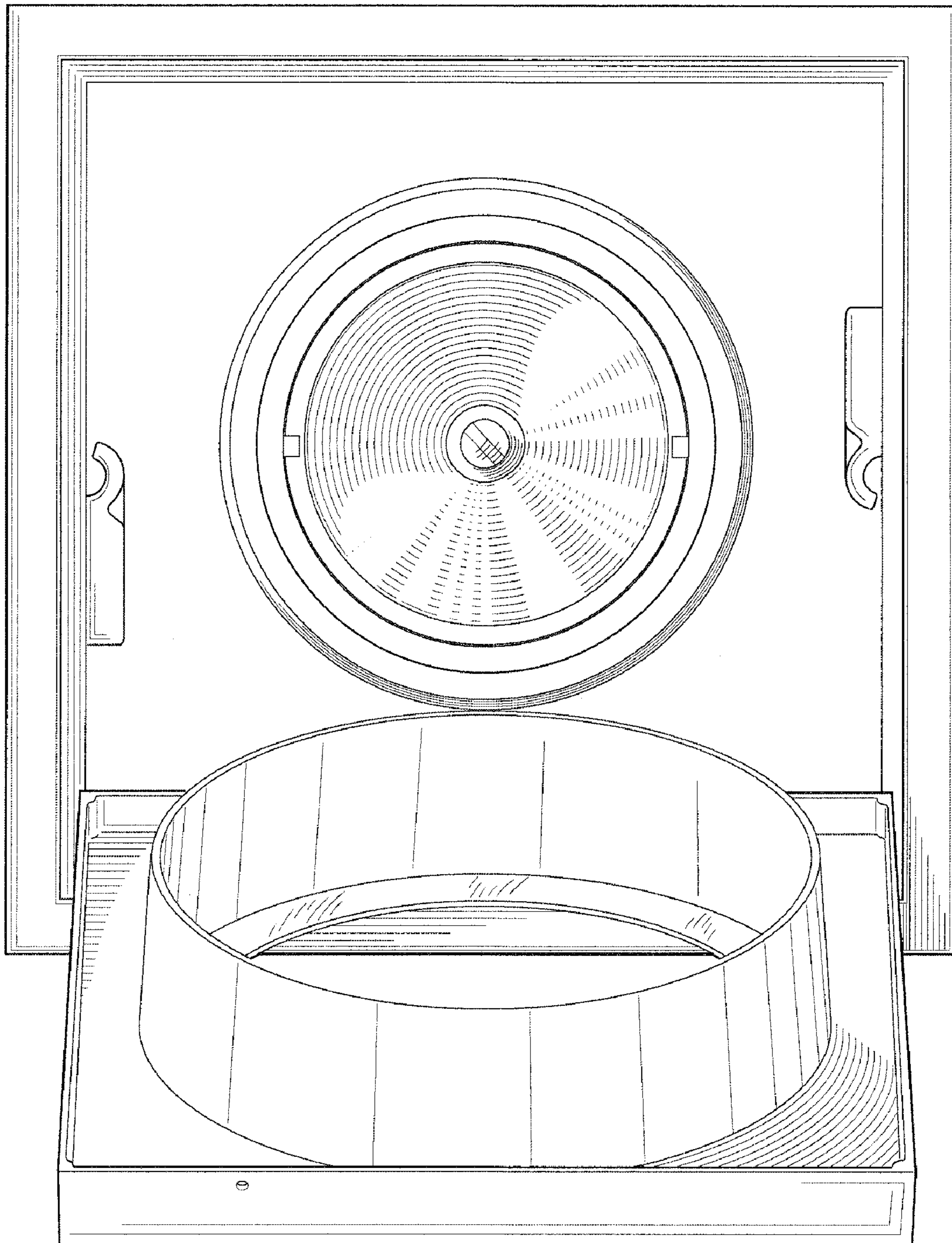


Fig. 3

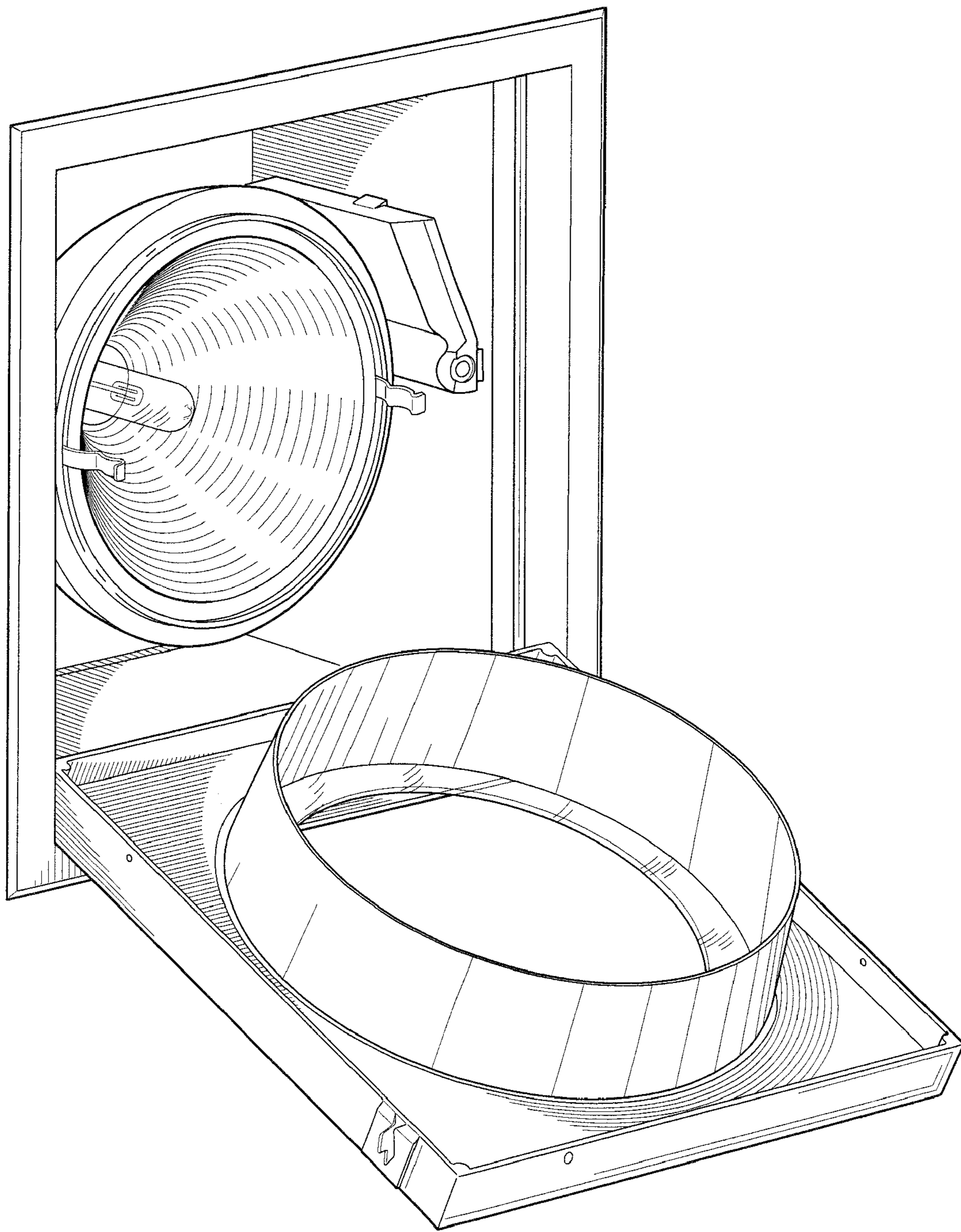


Fig. 4

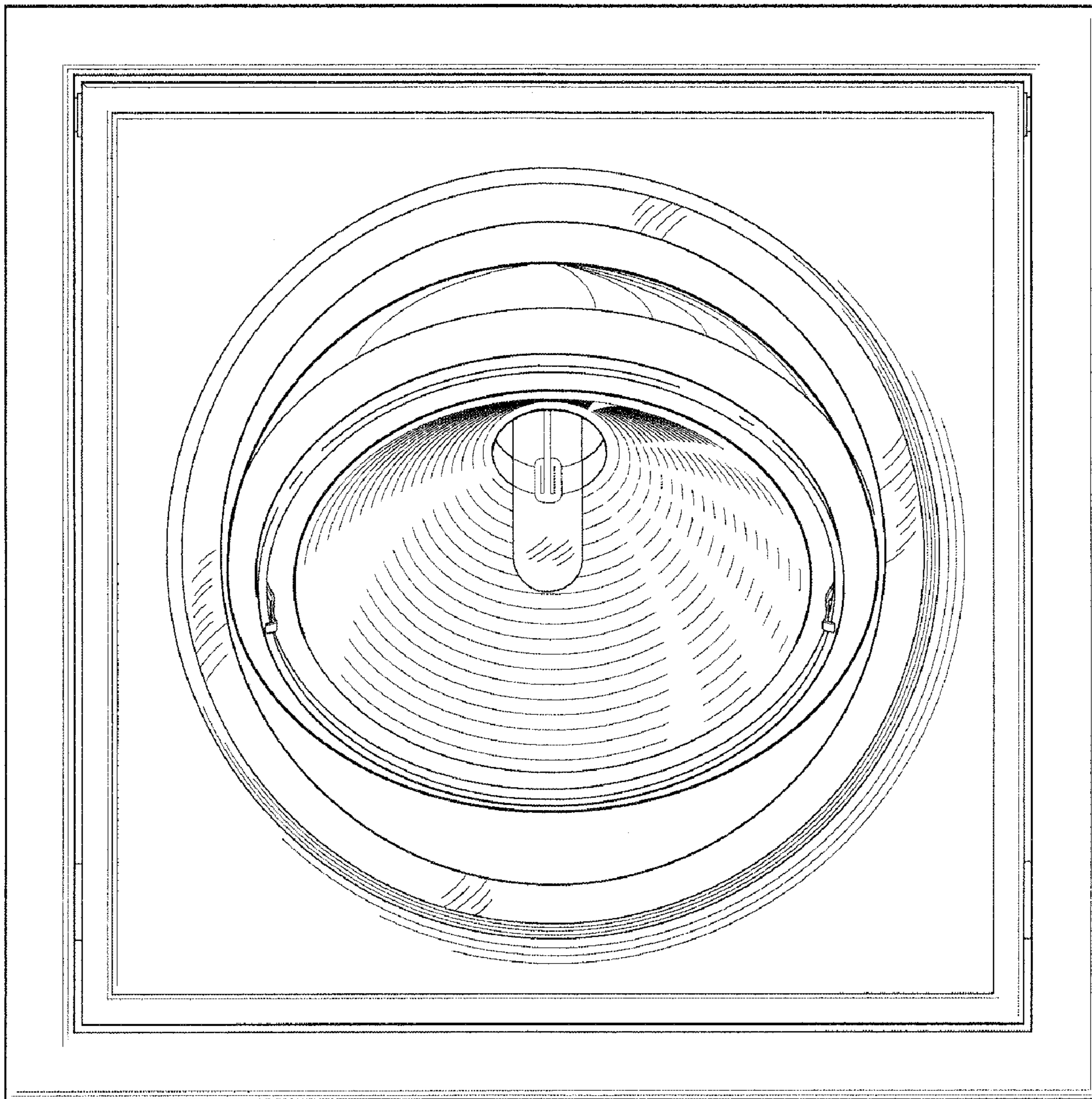


Fig. 5

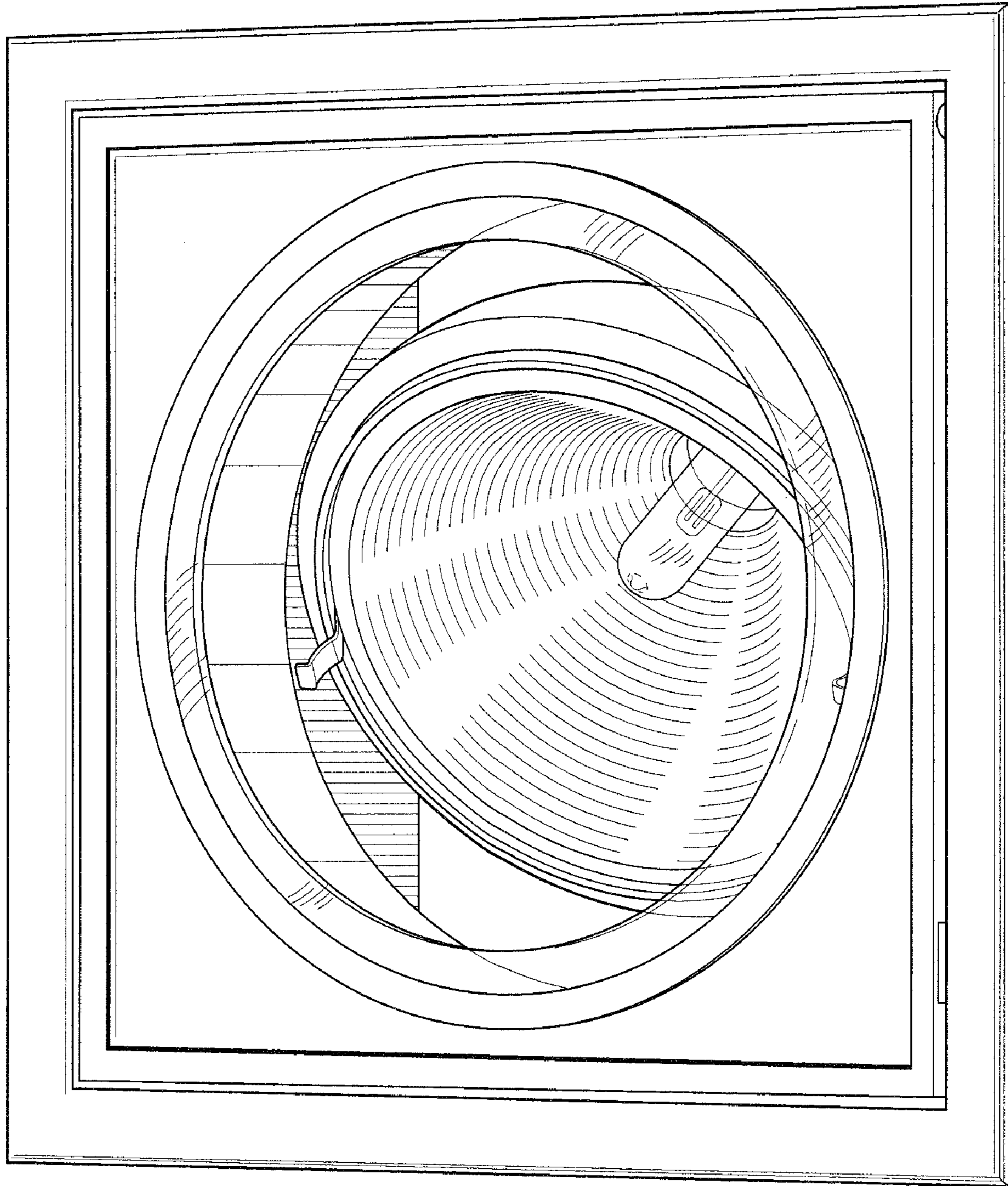


Fig.6

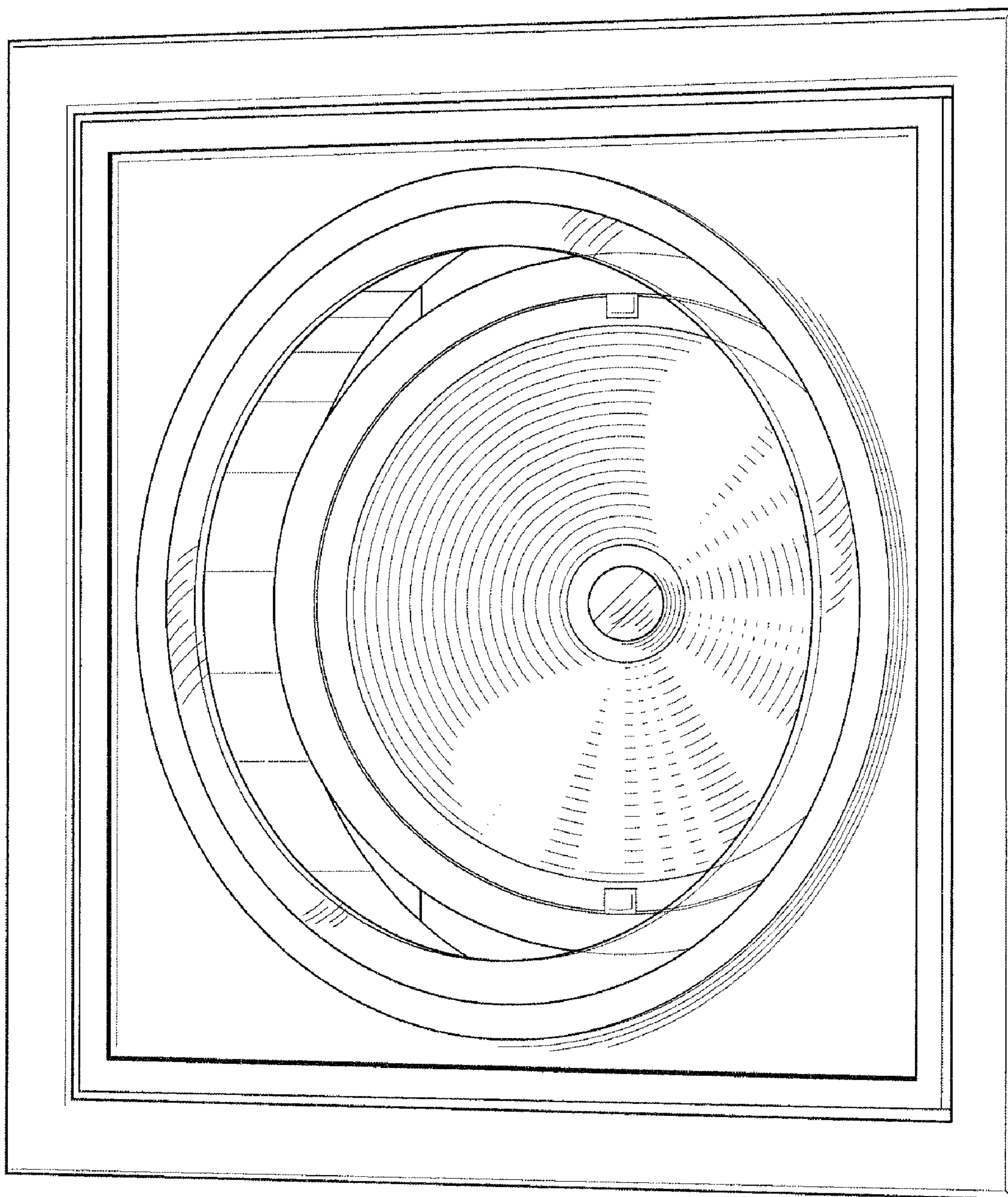


Fig. 7

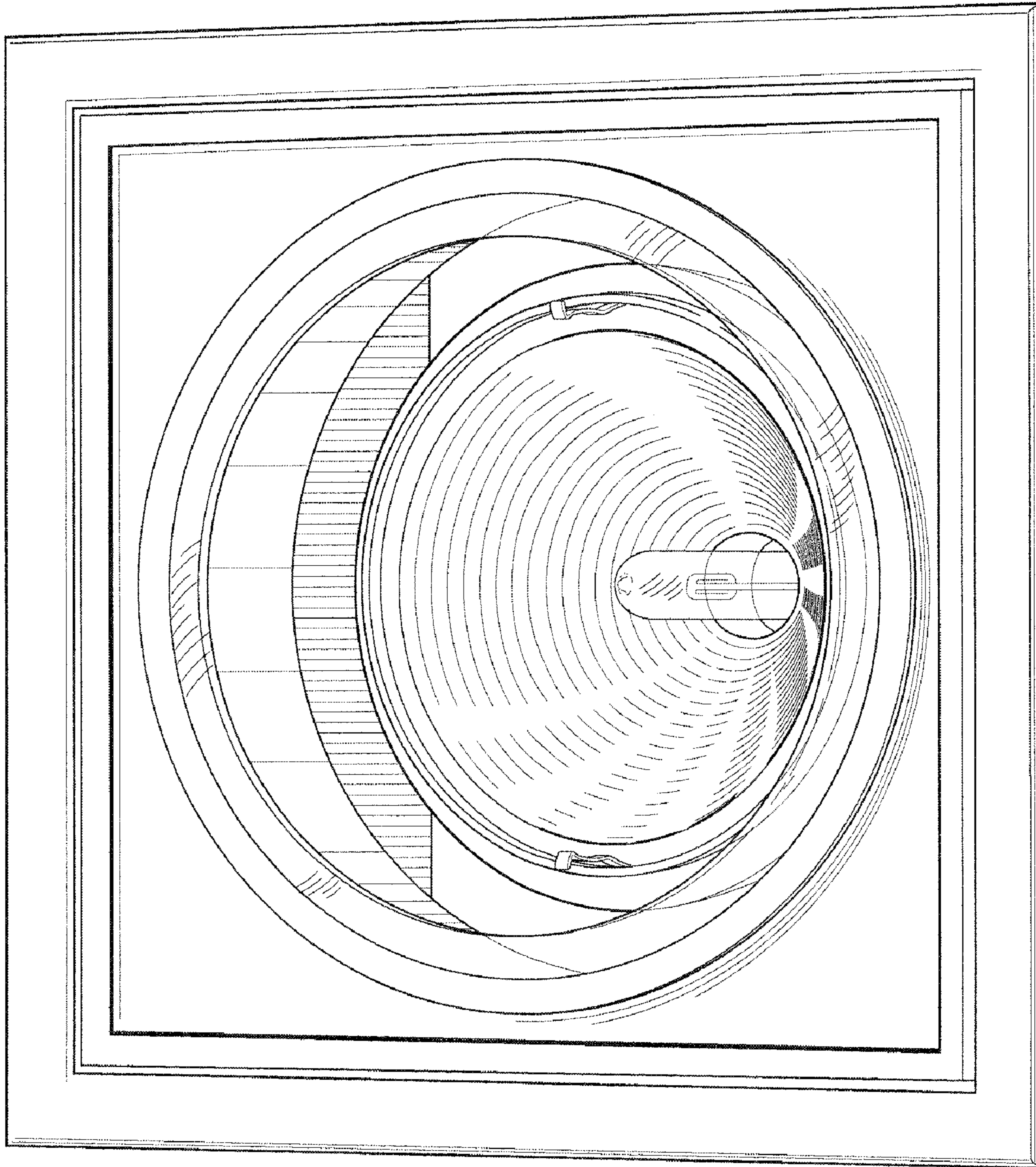


Fig.8

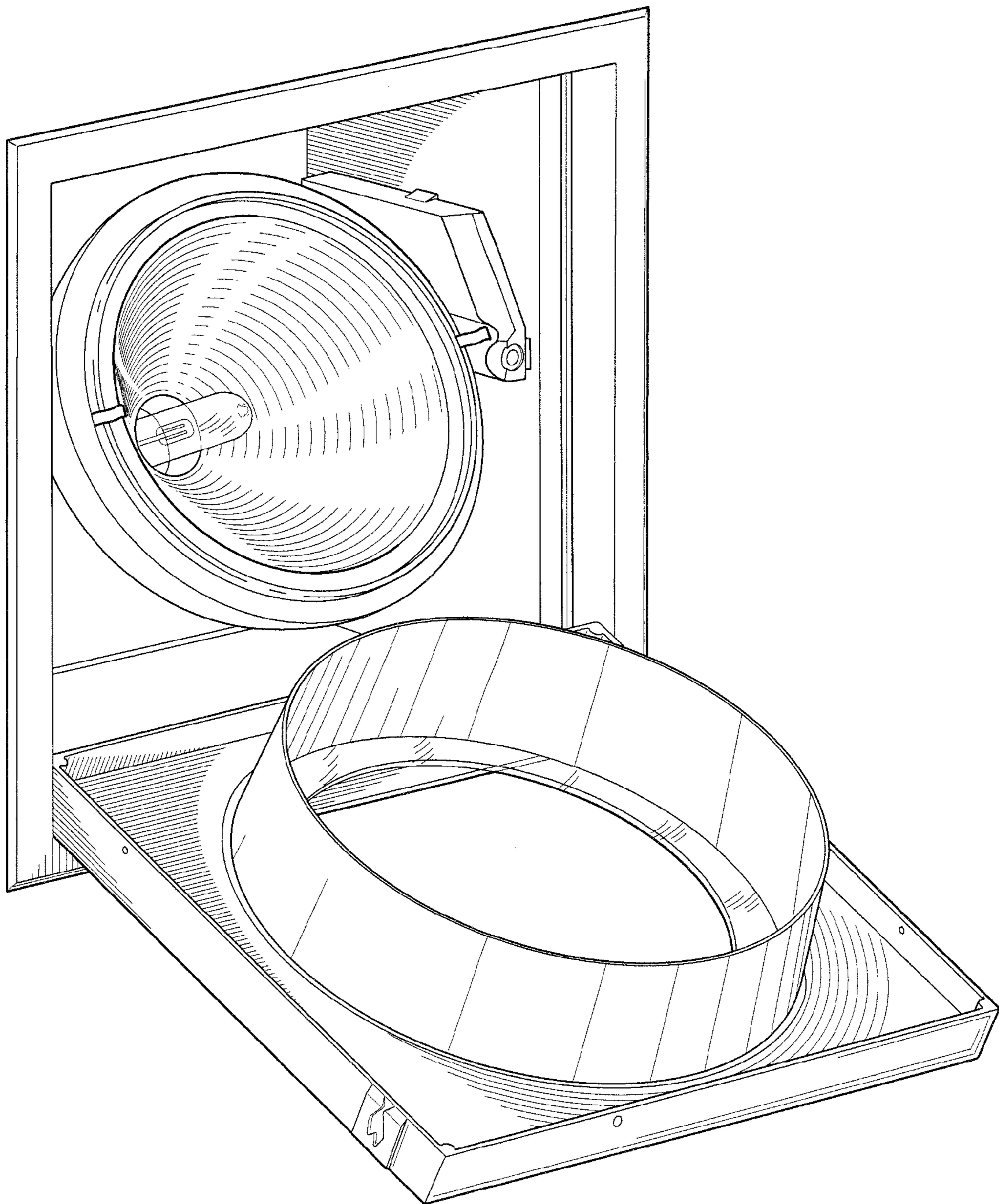


Fig. 9

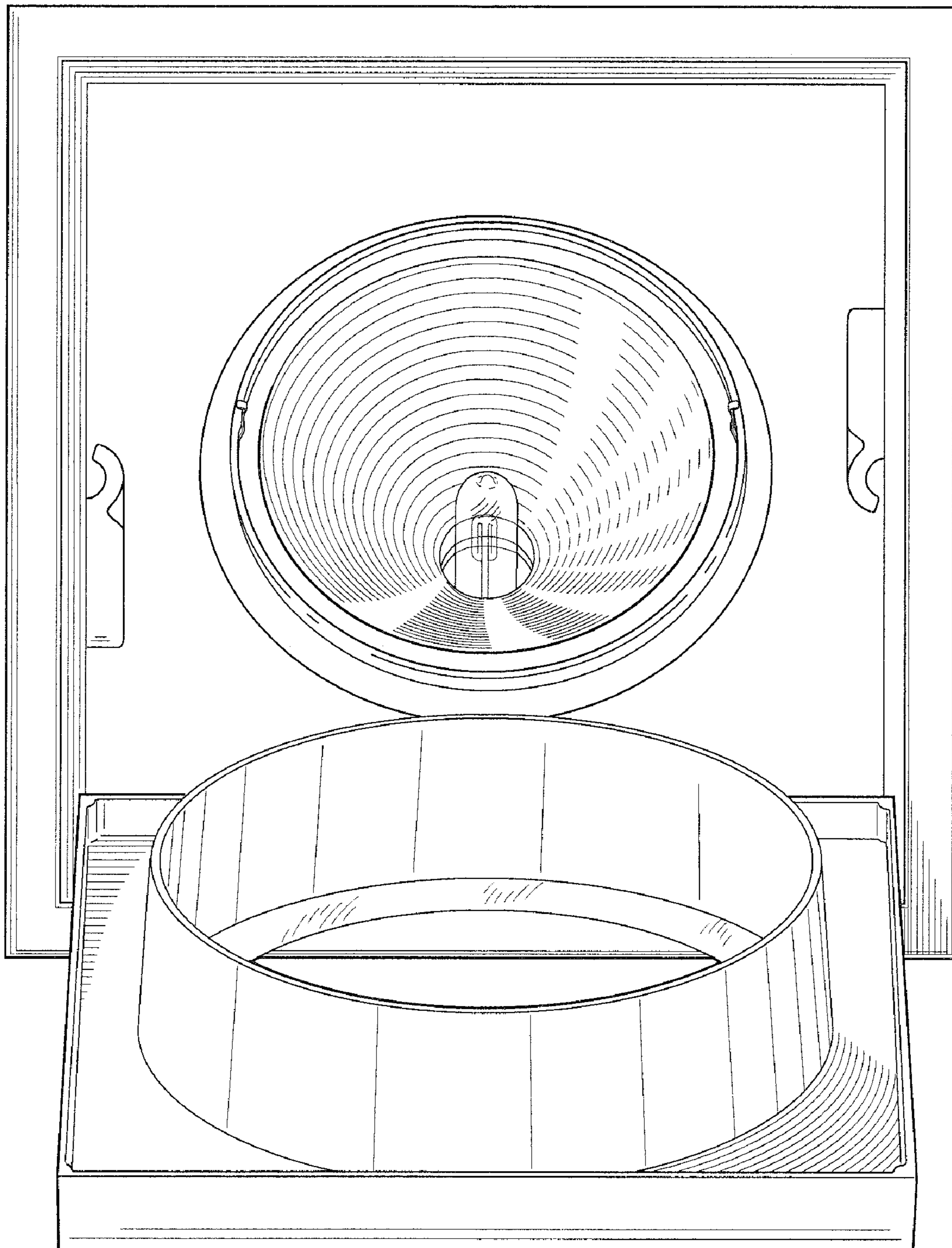


Fig. 10