



US00D568519S

(12) **United States Design Patent**
Lu et al.

(10) **Patent No.:** **US D568,519 S**

(45) **Date of Patent:** **** May 6, 2008**

(54) **TABLE LAMP**

(76) Inventors: **James Lu**, Kaiyilai Industrial Park,
Industrial Zone No. 388, Liangantian
Village, Pinghu Town, Shenzhen City
(CN); **Michael Lu**, Kaiyilai Industrial
Park, Industrial Zone No. 388,
Liangantian Village, Pinghu Town,
Shenzhen City (CN)

(**) Term: **14 Years**

(21) Appl. No.: **29/282,306**

(22) Filed: **Jul. 16, 2007**

(51) **LOC (8) Cl.** **26-05**

(52) **U.S. Cl.** **D26/65**

(58) **Field of Classification Search** D26/60-66,
D26/93, 107, 118, 128; 362/269, 277, 278,
362/282, 285, 287, 288, 401-402, 410, 413-414,
362/418-430

See application file for complete search history.

(56) **References Cited**

U.S. PATENT DOCUMENTS

- D325,997 S * 5/1992 Dieperink et al. D26/107
- D345,027 S * 3/1994 Huang D26/65
- D368,319 S * 3/1996 Huang D26/65
- D382,362 S * 8/1997 Huang D26/65
- D427,348 S * 6/2000 Huang D26/63
- 6,079,857 A * 6/2000 Mendelsohn et al. 362/427

- D428,179 S * 7/2000 Huang D26/65
- D436,205 S * 1/2001 Huang D26/63
- D441,114 S * 4/2001 Chen D26/63
- 6,270,238 B1 * 8/2001 Mendelsohn et al. 362/287
- 6,814,473 B2 * 11/2004 Chen 362/402
- D544,635 S * 6/2007 Chen D26/118
- 2003/0133305 A1 * 7/2003 Chen 362/414

* cited by examiner

Primary Examiner—Cathron Brooks

Assistant Examiner—Barbara Fox

(57) **CLAIM**

The ornamental design for a table lamp, as shown and described.

DESCRIPTION

FIG. 1 is a front elevational view of a table lamp showing my new design;

FIG. 2 is a rear elevational view thereof;

FIG. 3 is a left side view thereof;

FIG. 4 is a right side view thereof;

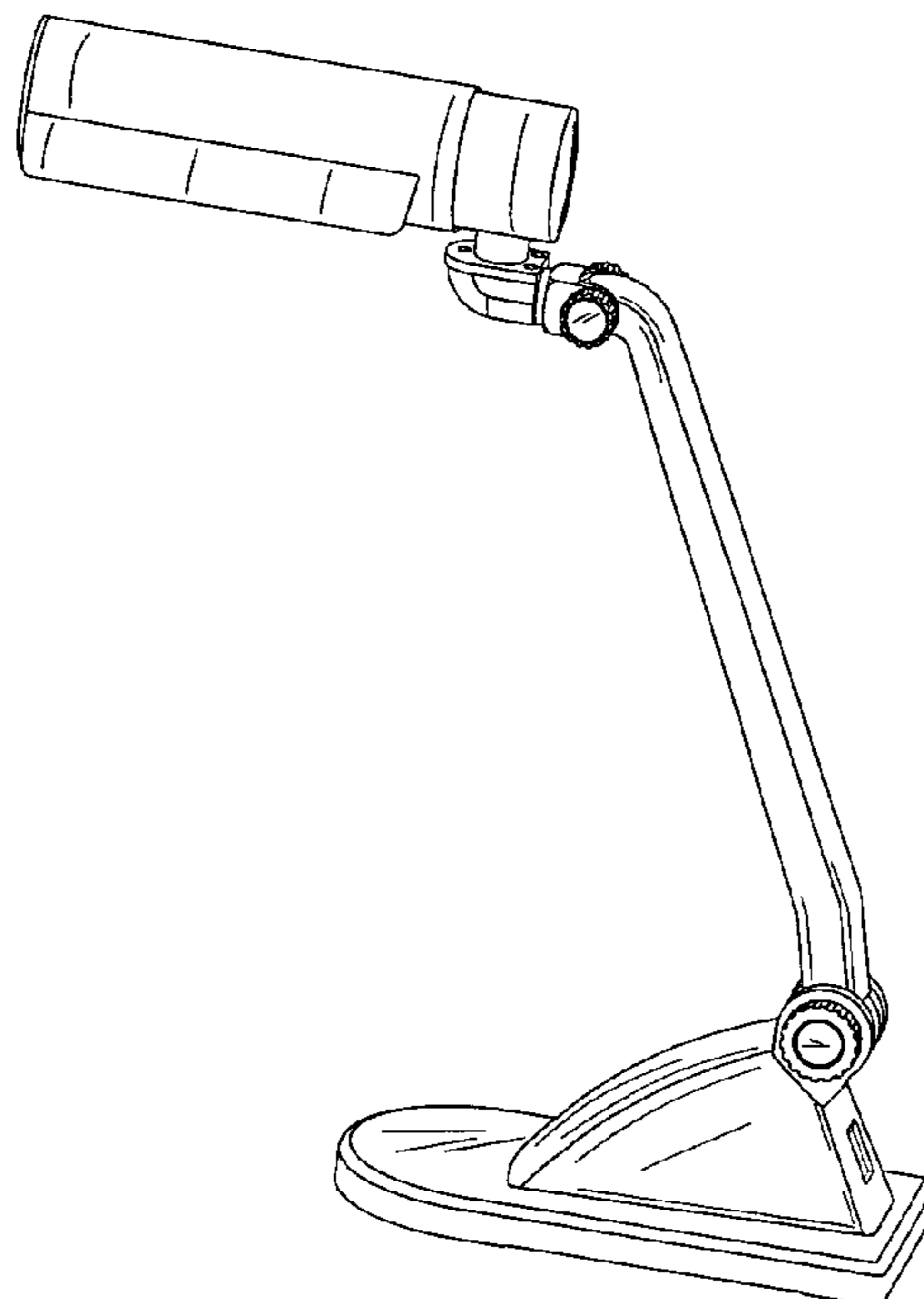
FIG. 5 is a top plan view thereof;

FIG. 6 is a bottom plan view thereof; and,

FIG. 7 is a perspective view thereof.

The broken lines shown on the drawings form no part of the claimed design.

1 Claim, 7 Drawing Sheets



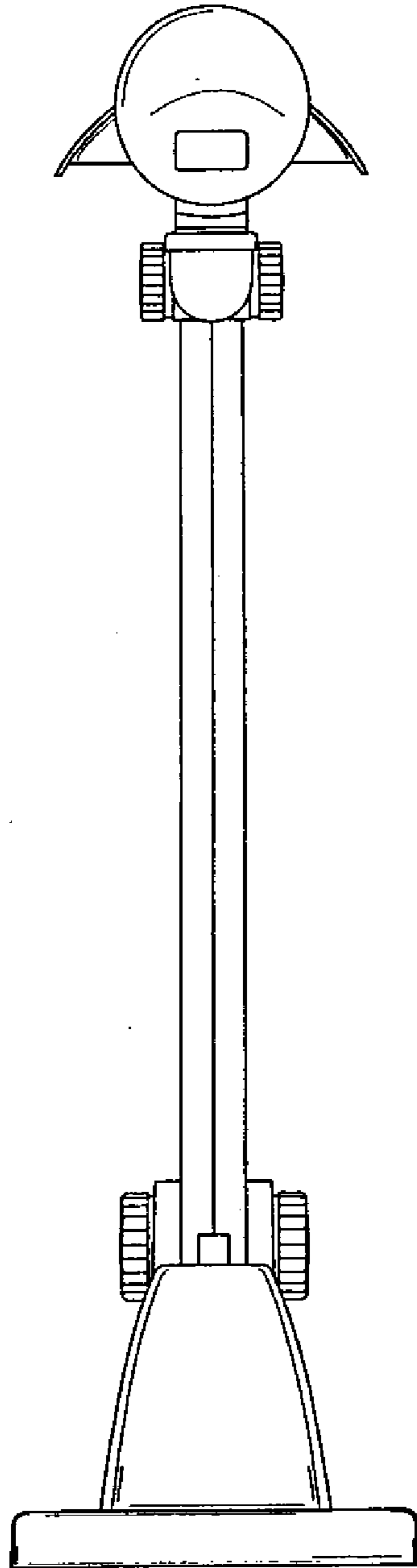


FIG. 1

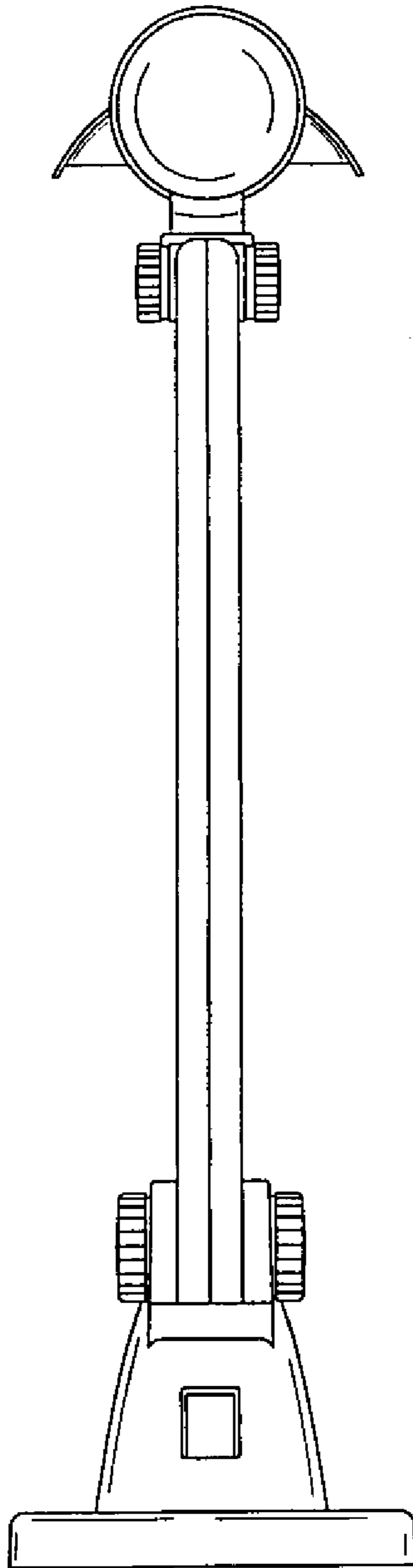


FIG. 2

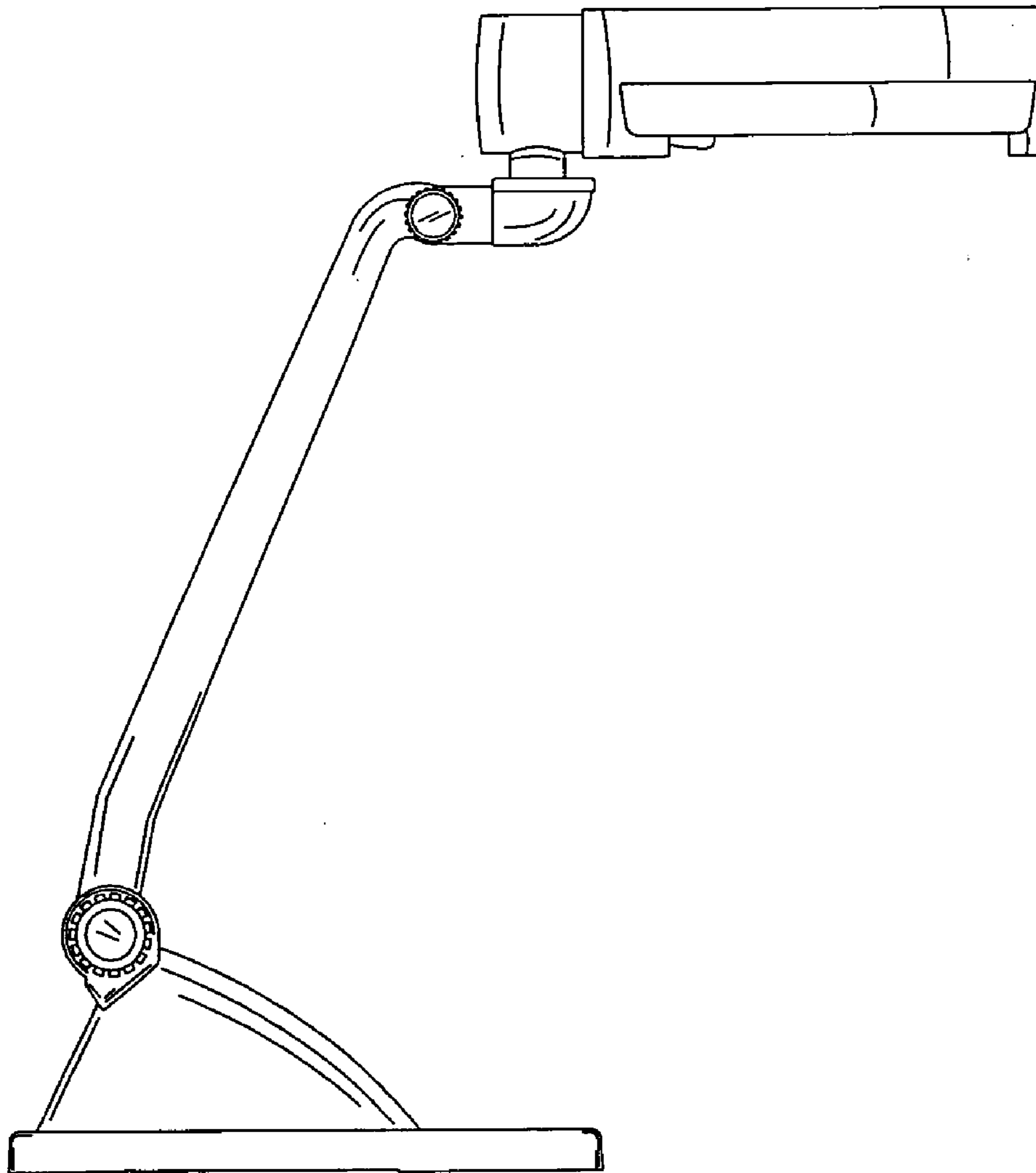


FIG. 3

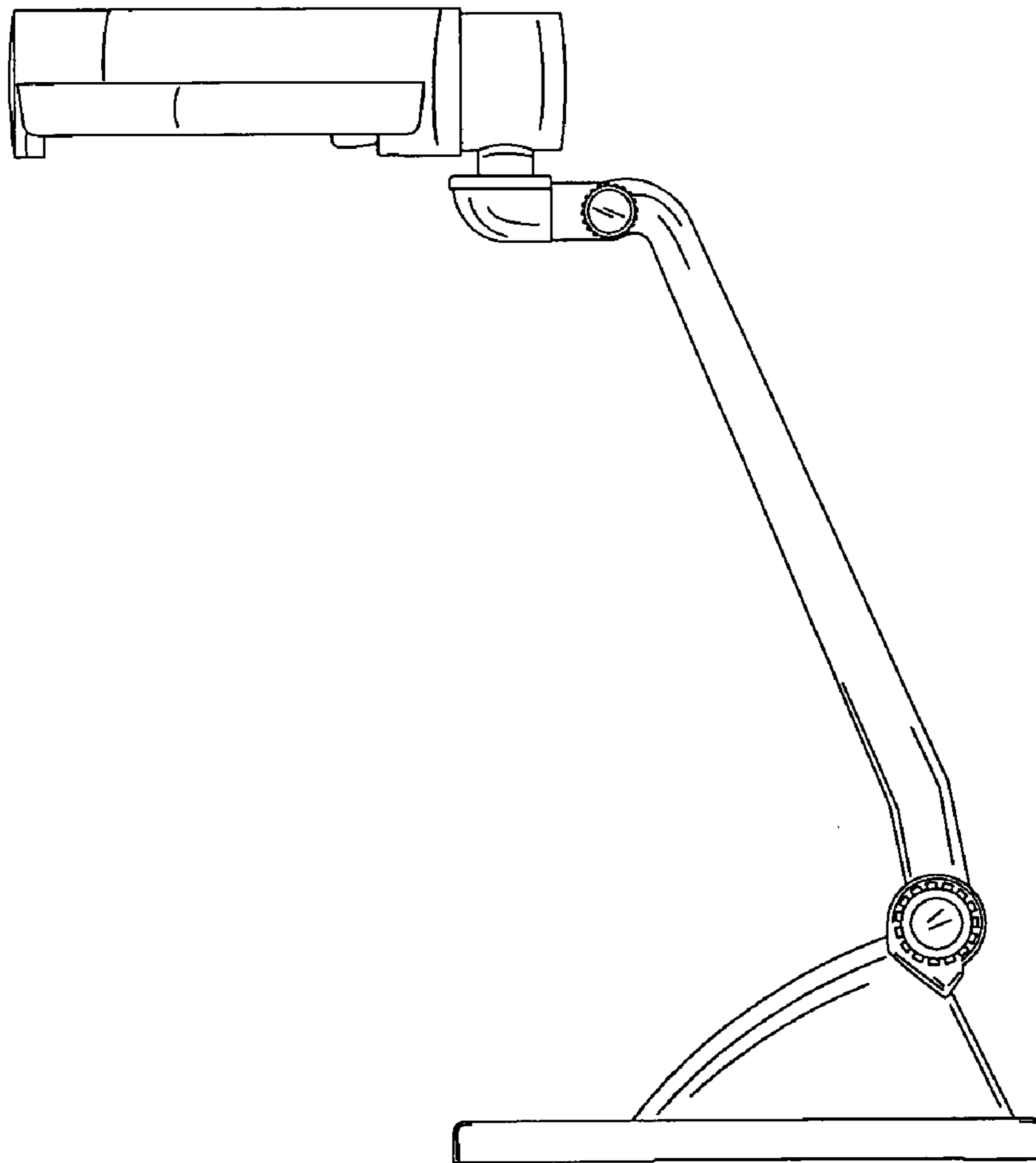


FIG. 4

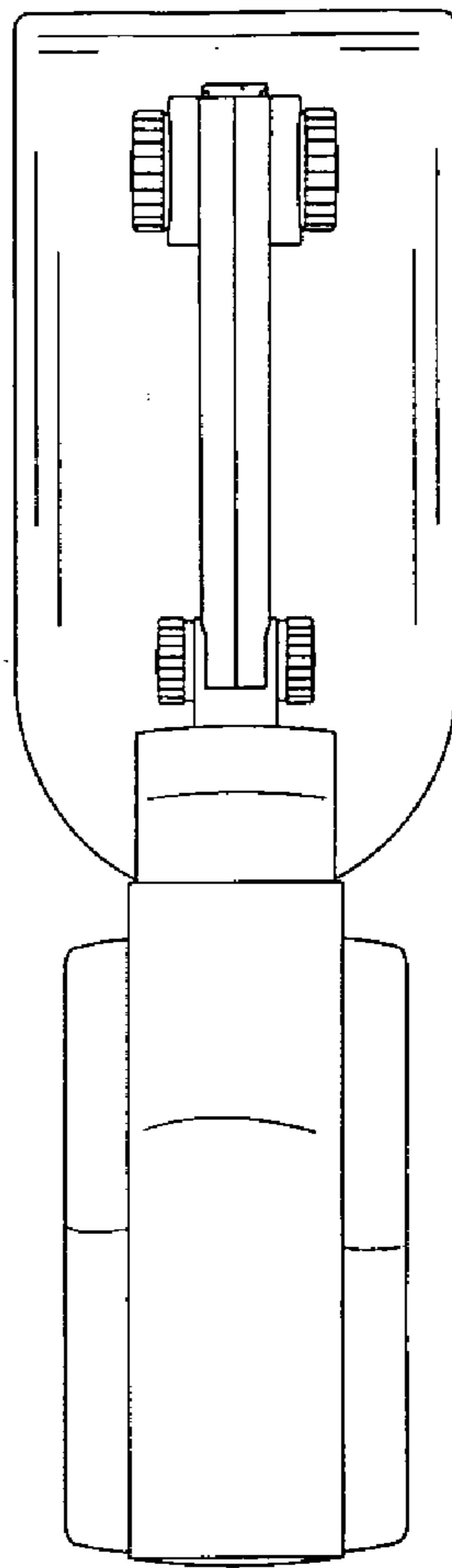


FIG. 5

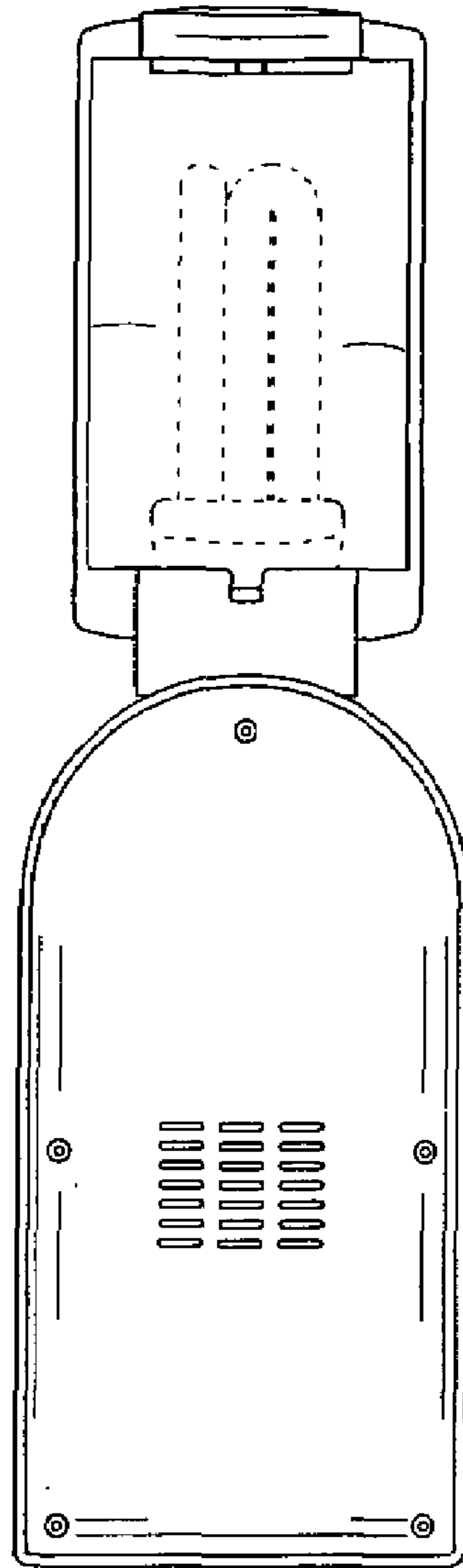


FIG. 6

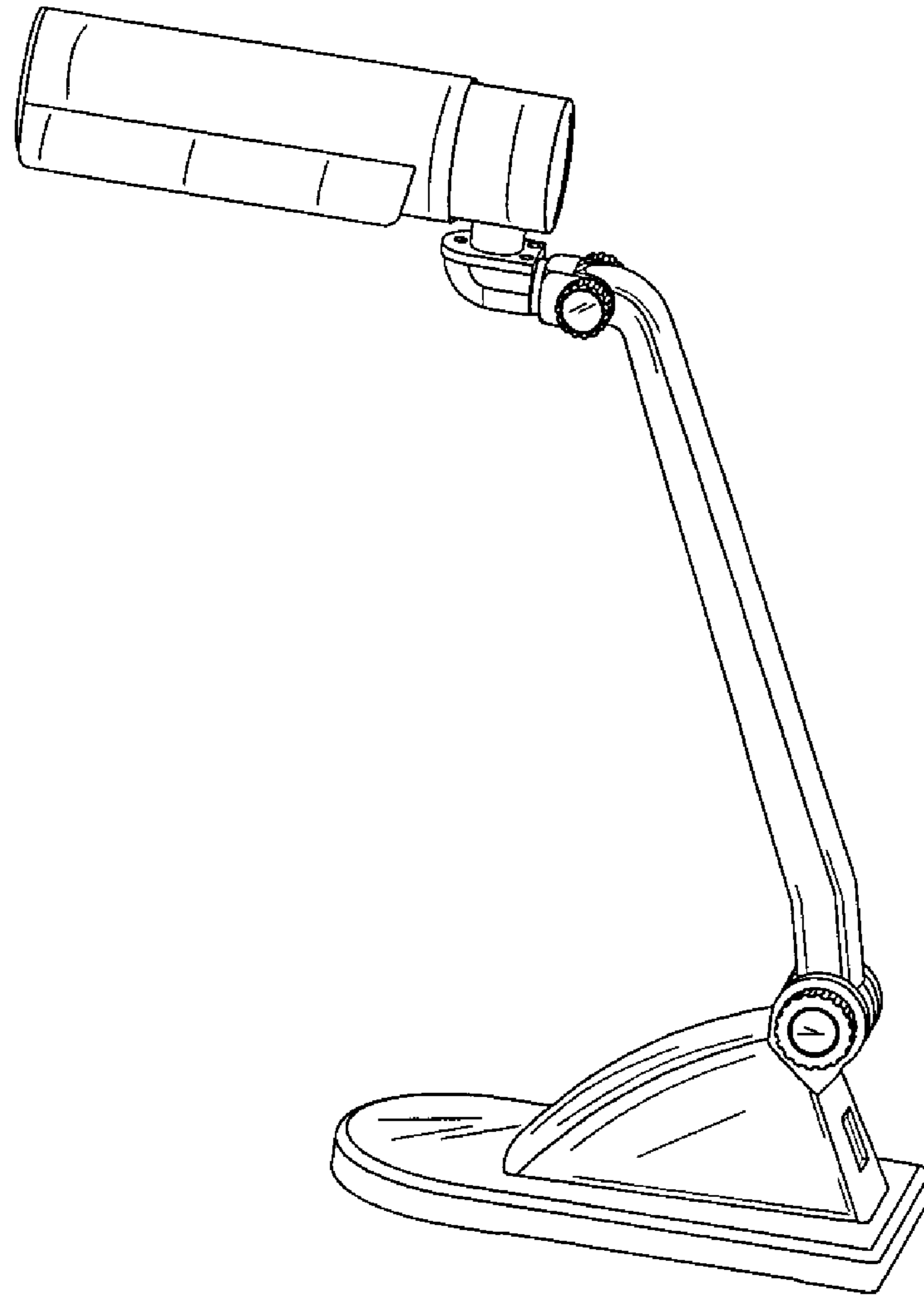


FIG. 7