



US00D568518S

(12) **United States Design Patent**
Schmidt

(10) **Patent No.:** **US D568,518 S**

(45) **Date of Patent:** **** May 6, 2008**

(54) **SPOTLIGHT**

(75) Inventor: **Hugo Dines Schmidt**, Aarhus (DK)

(73) Assignee: **Zumtobel Staff GmbH & Co. KG**, Lemgo (DE)

(**) Term: **14 Years**

(21) Appl. No.: **29/252,921**

(22) Filed: **Jan. 30, 2006**

(51) **LOC (8) Cl.** **26-05**

(52) **U.S. Cl.** **D26/63**

(58) **Field of Classification Search** D26/24,
D26/60-67, 85; 362/285, 287, 418, 419,
362/427, 147, 269, 271, 275, 291, 310, 311,
362/362, 296, 159, 187, 266

See application file for complete search history.

(56) **References Cited**

U.S. PATENT DOCUMENTS

D358,677 S *	5/1995	Kania	D26/65
D394,323 S *	5/1998	West	D26/63
D402,384 S *	12/1998	Chen	D26/63
6,022,129 A *	2/2000	Tang	362/404
D454,219 S *	3/2002	Thompson	D26/63
7,086,759 B2 *	8/2006	Hartmann et al.	362/311

FOREIGN PATENT DOCUMENTS

IT DM/046296 * 10/1998

* cited by examiner

Primary Examiner—Cathron Brooks

Assistant Examiner—Barbara Fox

(74) *Attorney, Agent, or Firm*—Marshall, Gerstein & Borun LLP

(57) **CLAIM**

The ornamental design for a spotlight, as shown and described.

DESCRIPTION

FIG. 1 is a perspective view of a spotlight that has the new design.

FIG. 2 is another perspective view of the spotlight.

FIG. 3 is another perspective view of the spotlight.

FIG. 4 is another perspective view of the spotlight.

FIG. 5 is a right-side elevational view of the spotlight, the opposite side view being a mirror image thereof.

FIG. 6 is a front-side elevational view of the spotlight; and,

FIG. 7 is a back-side elevational view of the spotlight.

The broken line showing of top portions of the spotlight is for the purpose of illustrating portions of the article and forms no part of the claimed design.

1 Claim, 7 Drawing Sheets

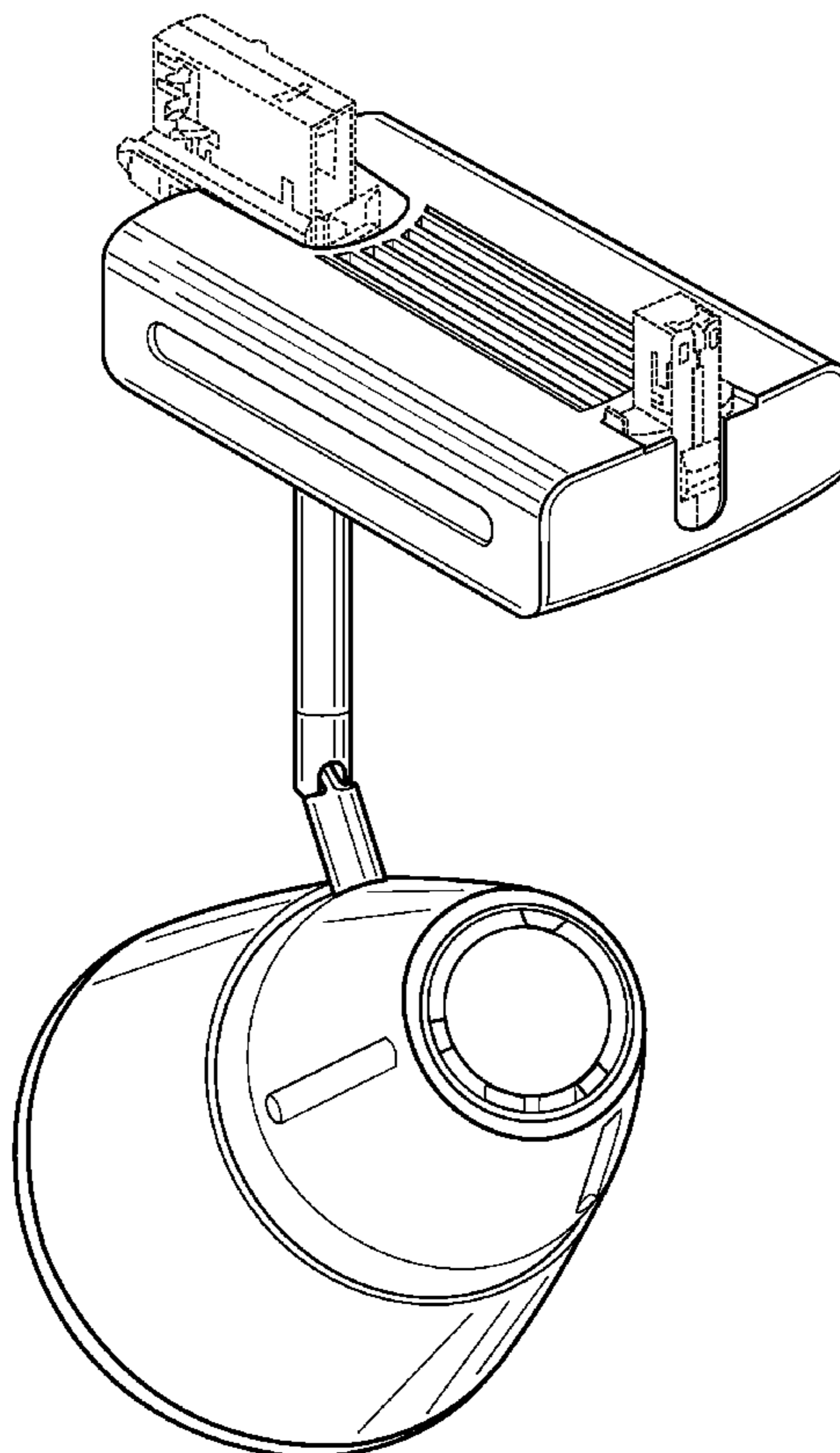


FIG. 1

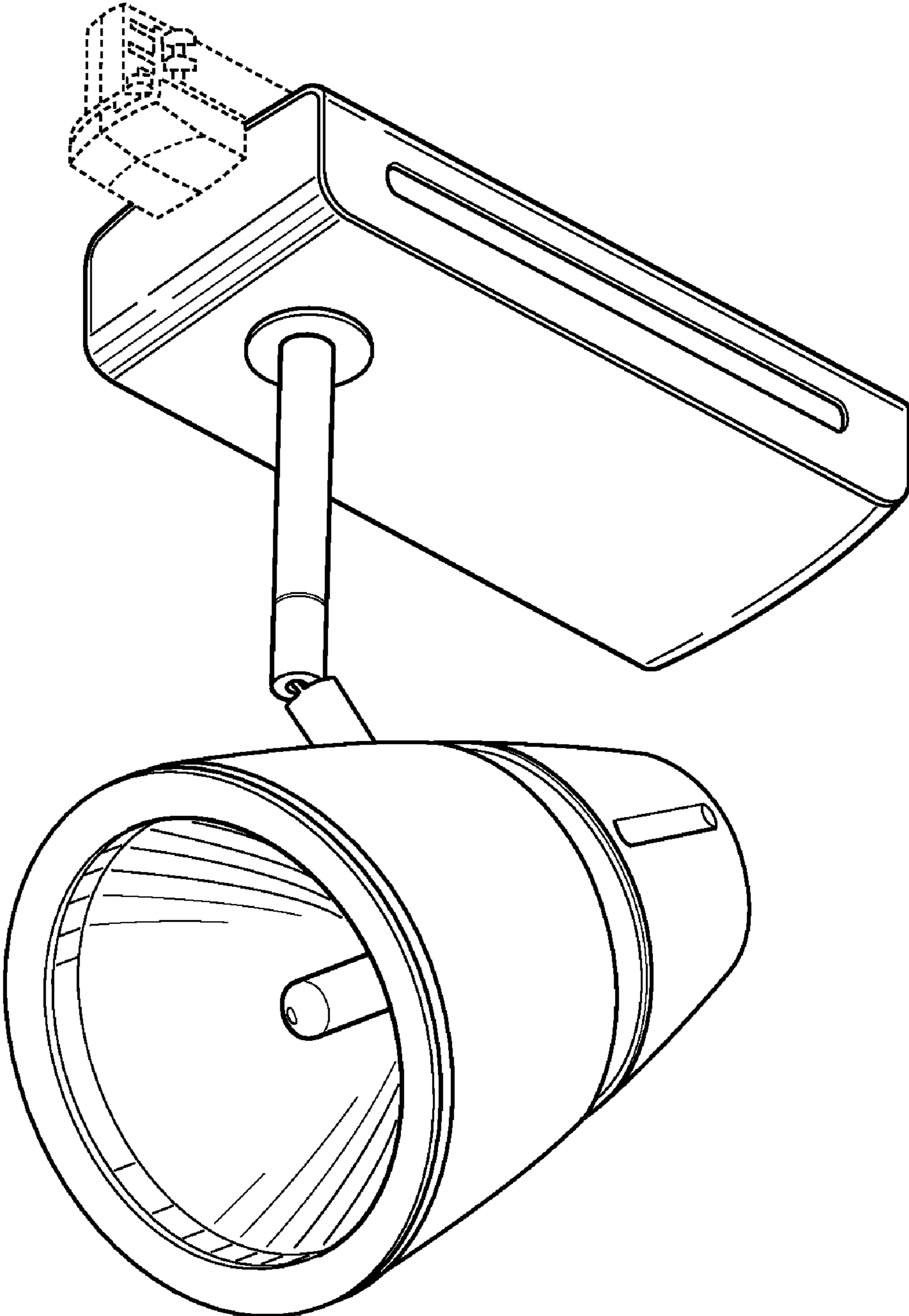


FIG. 2

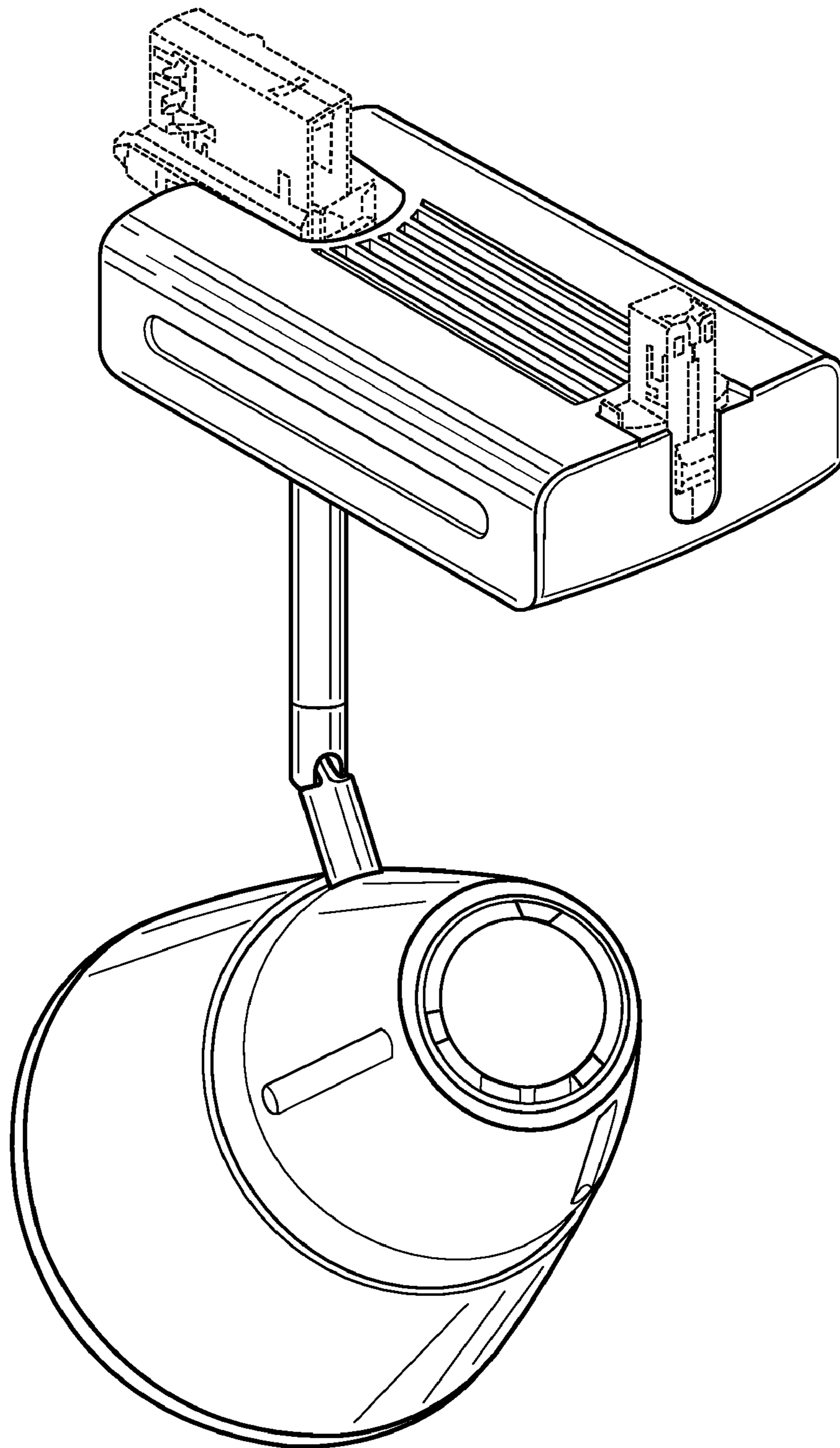


FIG. 3

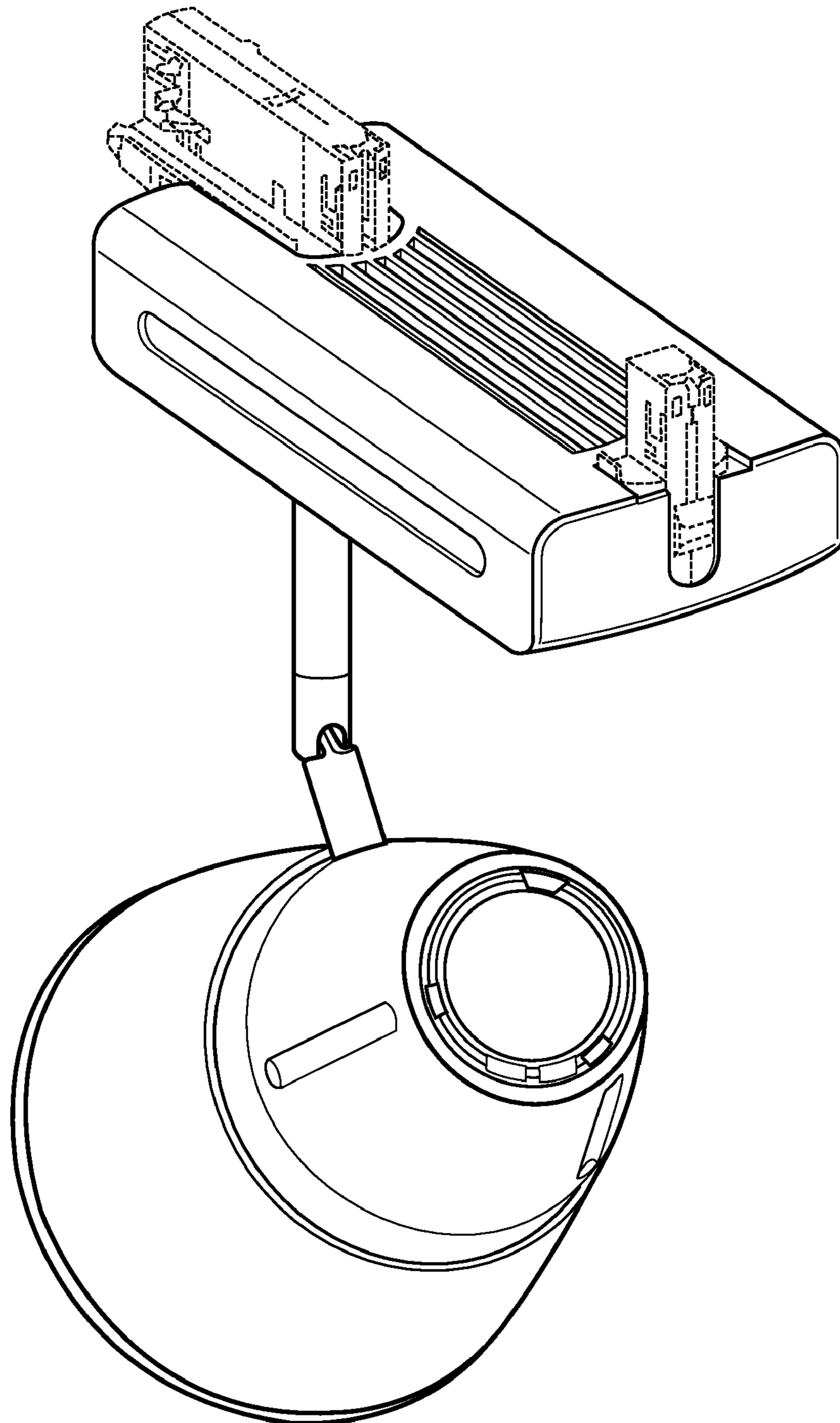


FIG. 4

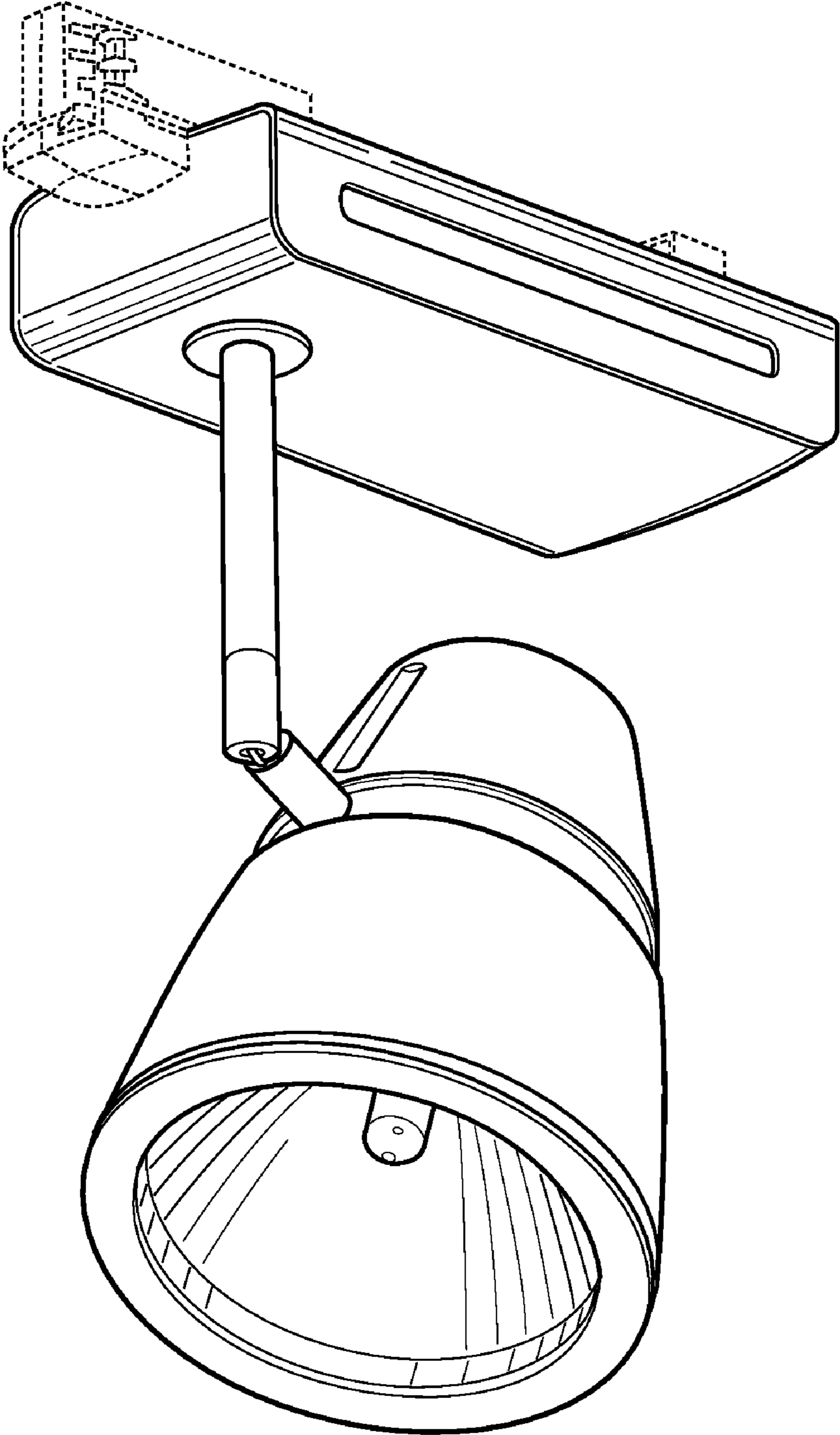


FIG. 5

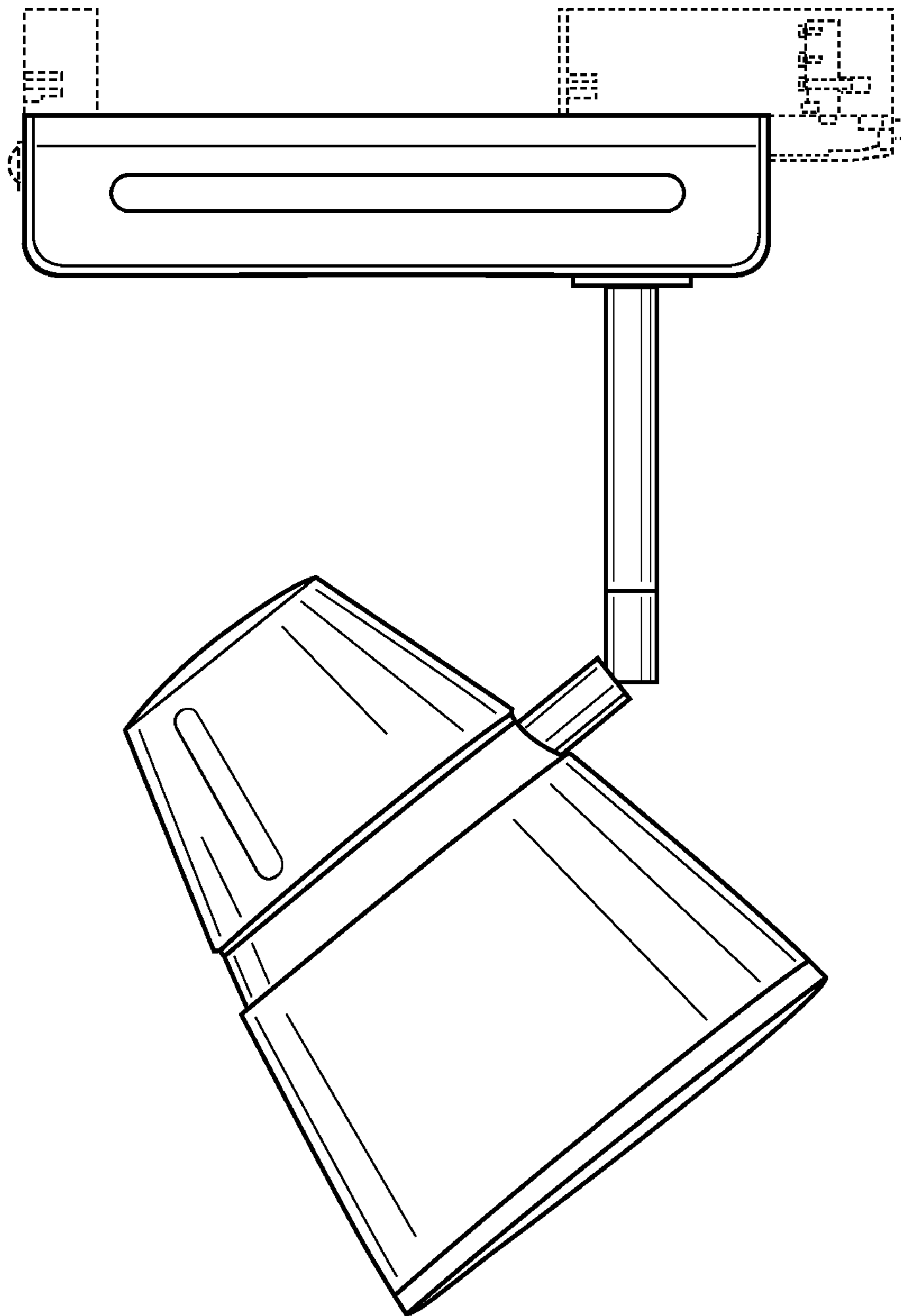


FIG. 6

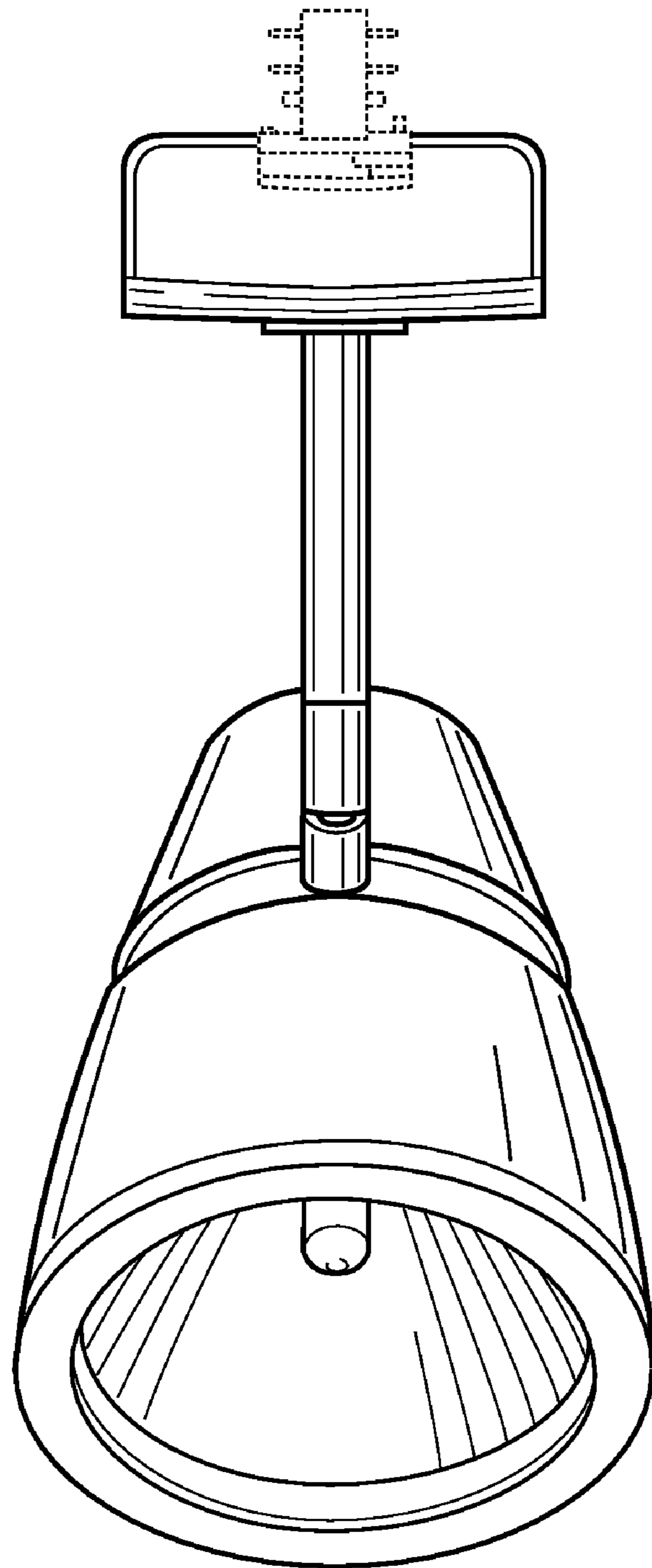


FIG. 7

