



US00D568517S

(12) **United States Design Patent**
Redfern et al.

(10) **Patent No.:** **US D568,517 S**

(45) **Date of Patent:** **** May 6, 2008**

(54) **LIGHTING FIXTURE**

(75) Inventors: **Chris Redfern**, Milan (IT);
Jean-Michel Wilmotte, Paris (FR)

(73) Assignee: **Zumtobel Staff GmbH & Co. KG**,
Lemgo (DE)

(**) Term: **14 Years**

(21) Appl. No.: **29/211,634**

(22) Filed: **Aug. 19, 2004**

(30) **Foreign Application Priority Data**

Feb. 19, 2004 (EM) 000 144035-0001/0

(51) **LOC (8) Cl.** **26-05**

(52) **U.S. Cl.** **D26/63**

(58) **Field of Classification Search** D26/80,
D26/81, 84, 63; 362/147, 227, 232, 237,
362/240, 241, 247, 249, 250

See application file for complete search history.

(56) **References Cited**

U.S. PATENT DOCUMENTS

D47,863	S	*	9/1915	Seamon	D26/63
D74,734	S	*	3/1928	Garey et al.	D26/63
1,870,241	A	*	8/1932	Dorey	362/243
D128,967	S	*	8/1941	Peterson	D26/63
D166,411	S	*	4/1952	Rahn	D26/80
D168,738	S	*	2/1953	Friedman	D23/334
D175,528	S	*	9/1955	Atkin	D26/63
D211,388	S	*	6/1968	Harrison	D26/63
D222,556	S	*	11/1971	Mattson et al.	D26/63
3,643,079	A	*	2/1972	Glickman	362/251
D232,256	S	*	7/1974	Koshigaya	D26/102
4,316,237	A	*	2/1982	Yamada et al.	362/33
4,319,311	A	*	3/1982	Mitchell	362/250

6,120,164	A	*	9/2000	Libin et al.	362/269
6,132,062	A	*	10/2000	Borders et al.	362/251
6,174,069	B1	*	1/2001	Plunk et al.	362/147
D520,177	S	*	5/2006	Roos et al.	D26/143

* cited by examiner

Primary Examiner—Clare E Heflin

(74) *Attorney, Agent, or Firm*—Fitzpatrick, Cella, Harper & Scinto

(57) **CLAIM**

The ornamental design for a lighting fixture, as shown and described.

DESCRIPTION

FIG. 1 is a perspective view of a front, one end and one side of a first embodiment of the new design and comprising a pair of lamps;

FIG. 2 is a perspective view of a front, one end and one side of a second embodiment showing the new design and comprising three lamps;

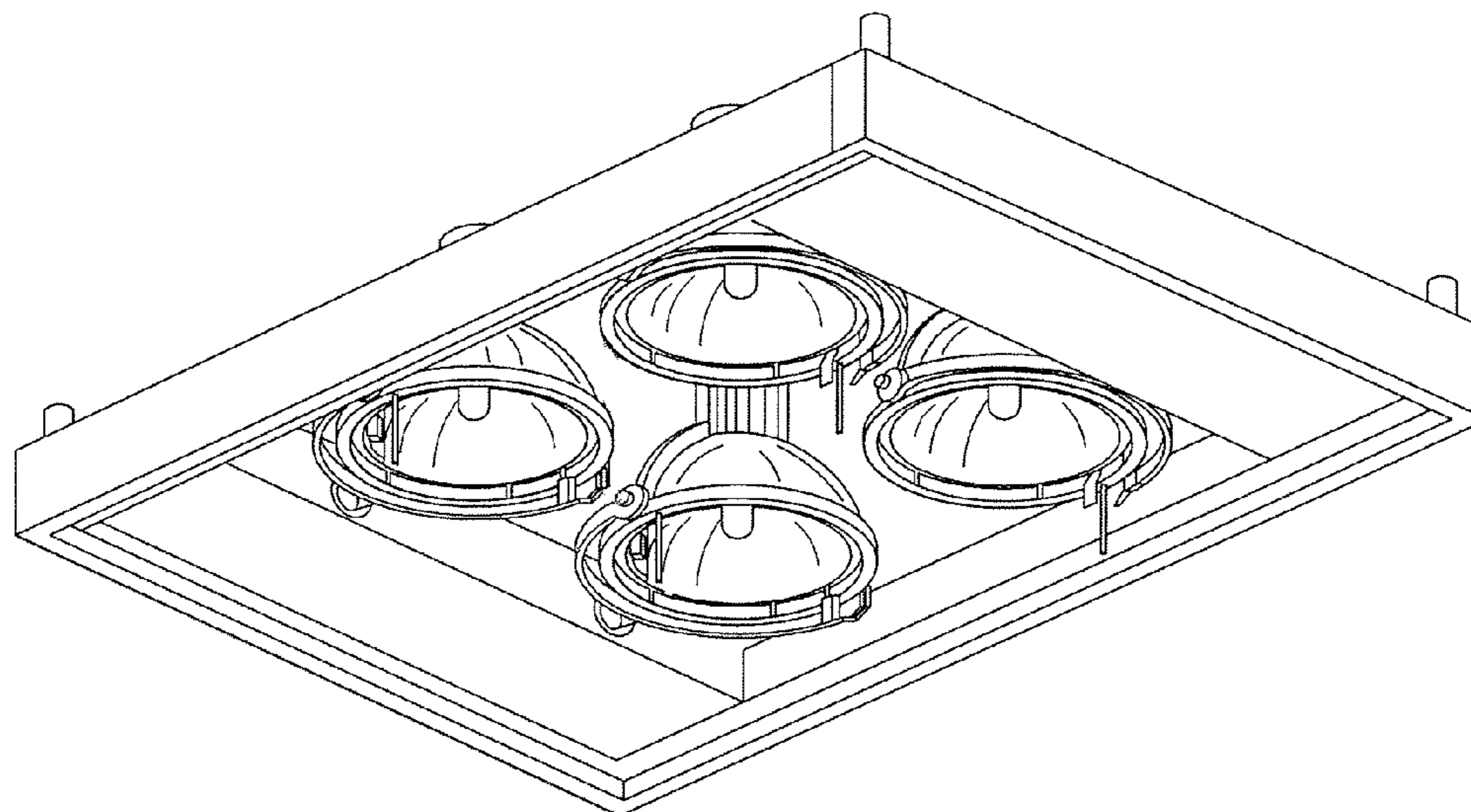
FIG. 3 is a perspective view of a front, one end and one side of a third embodiment showing the new design and comprising four lamps;

FIG. 4 is a perspective view of a front, one end and one side of a fourth embodiment showing the new design and comprising two lamps;

FIG. 5 is a perspective view of a front, one end and one side of a fifth embodiment showing the new design and comprising three lamps; and,

FIG. 6 is a perspective view of a front, one end and one side of a sixth embodiment showing the new design and comprising four lamps.

1 Claim, 6 Drawing Sheets



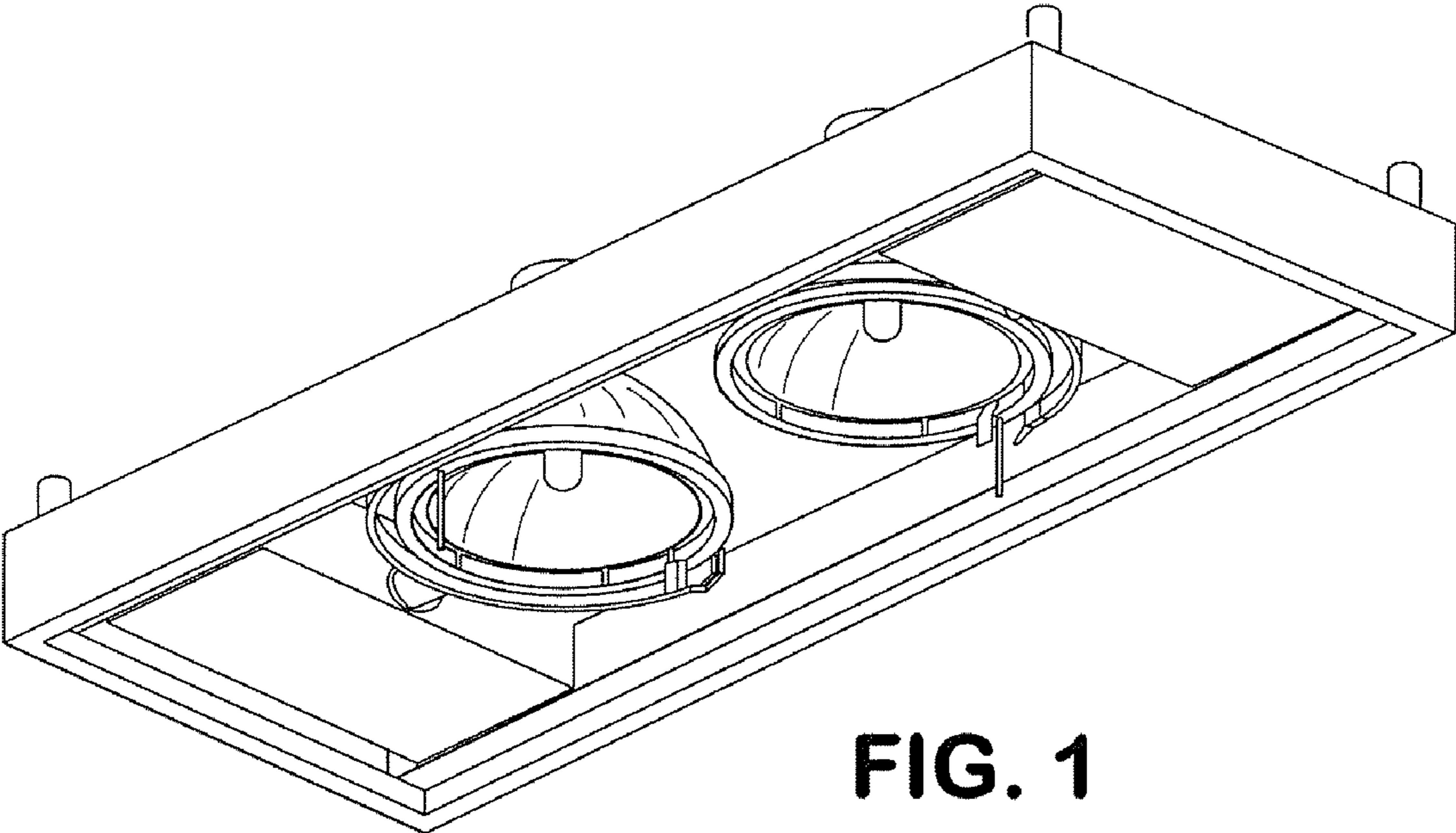


FIG. 1

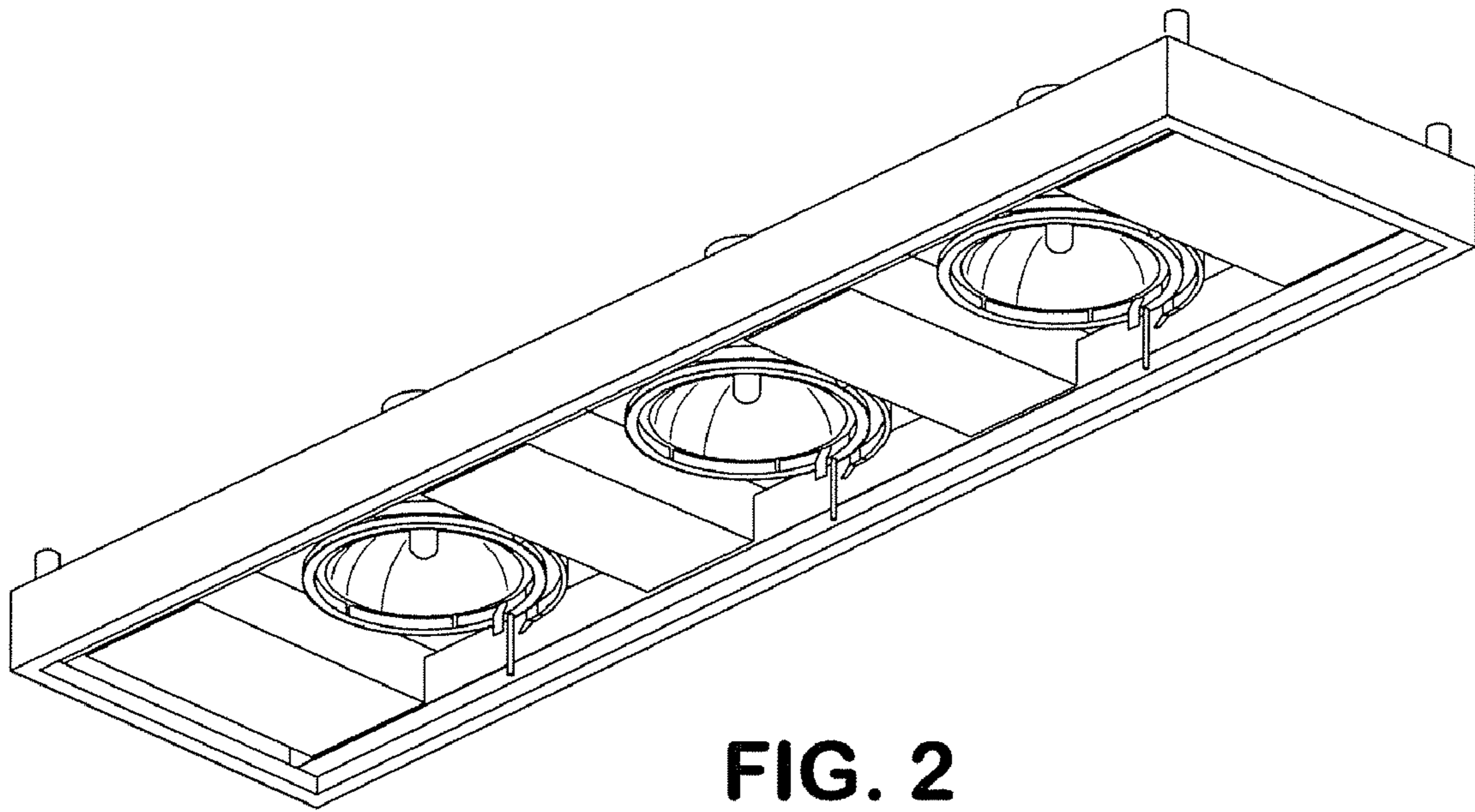


FIG. 2

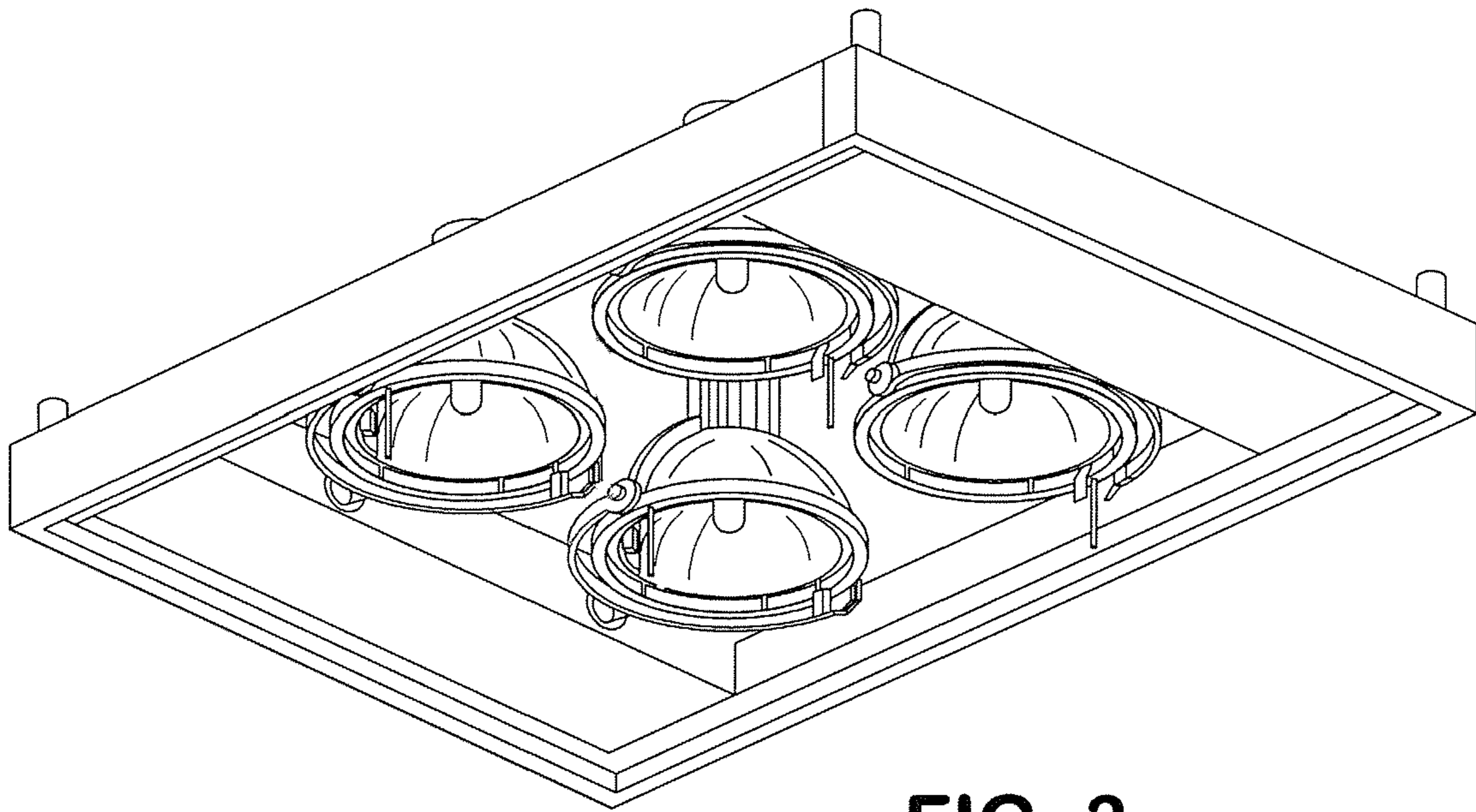


FIG. 3

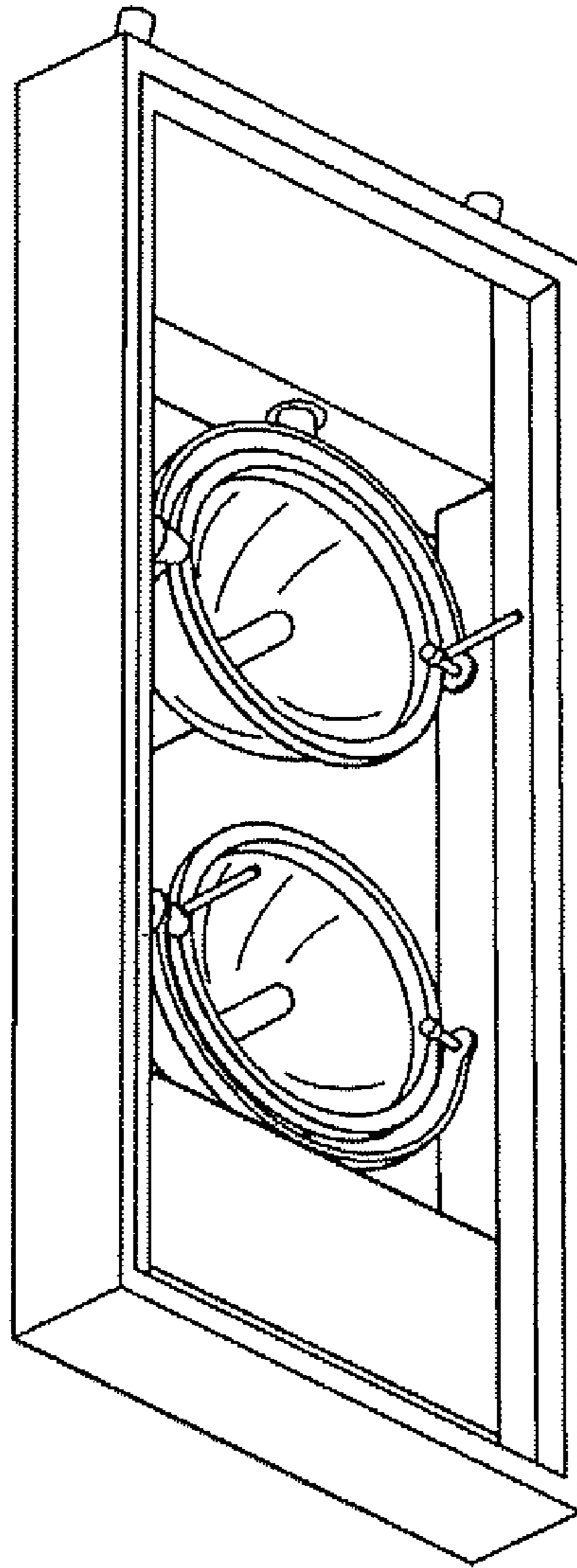


FIG. 4

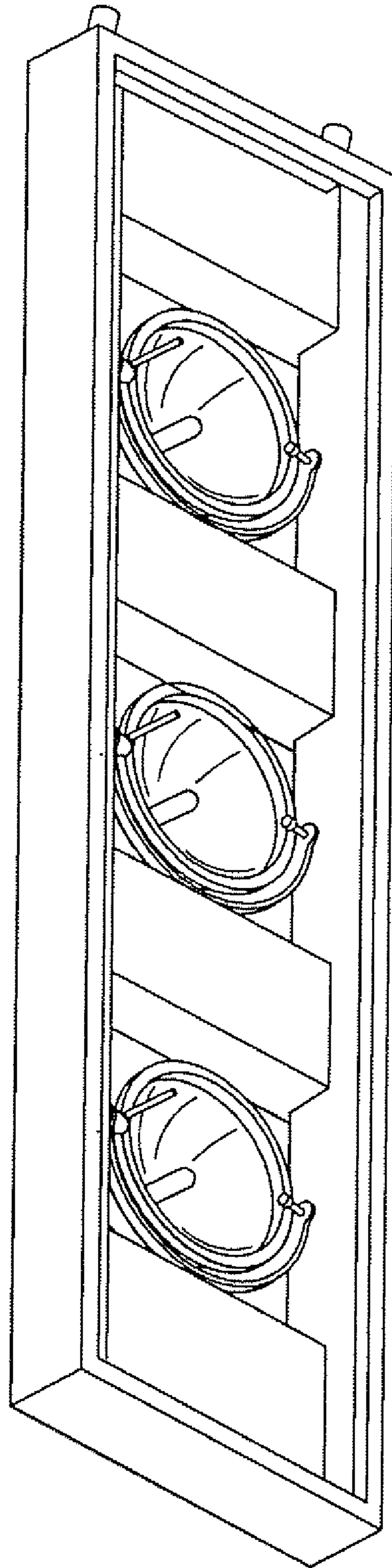


FIG. 5

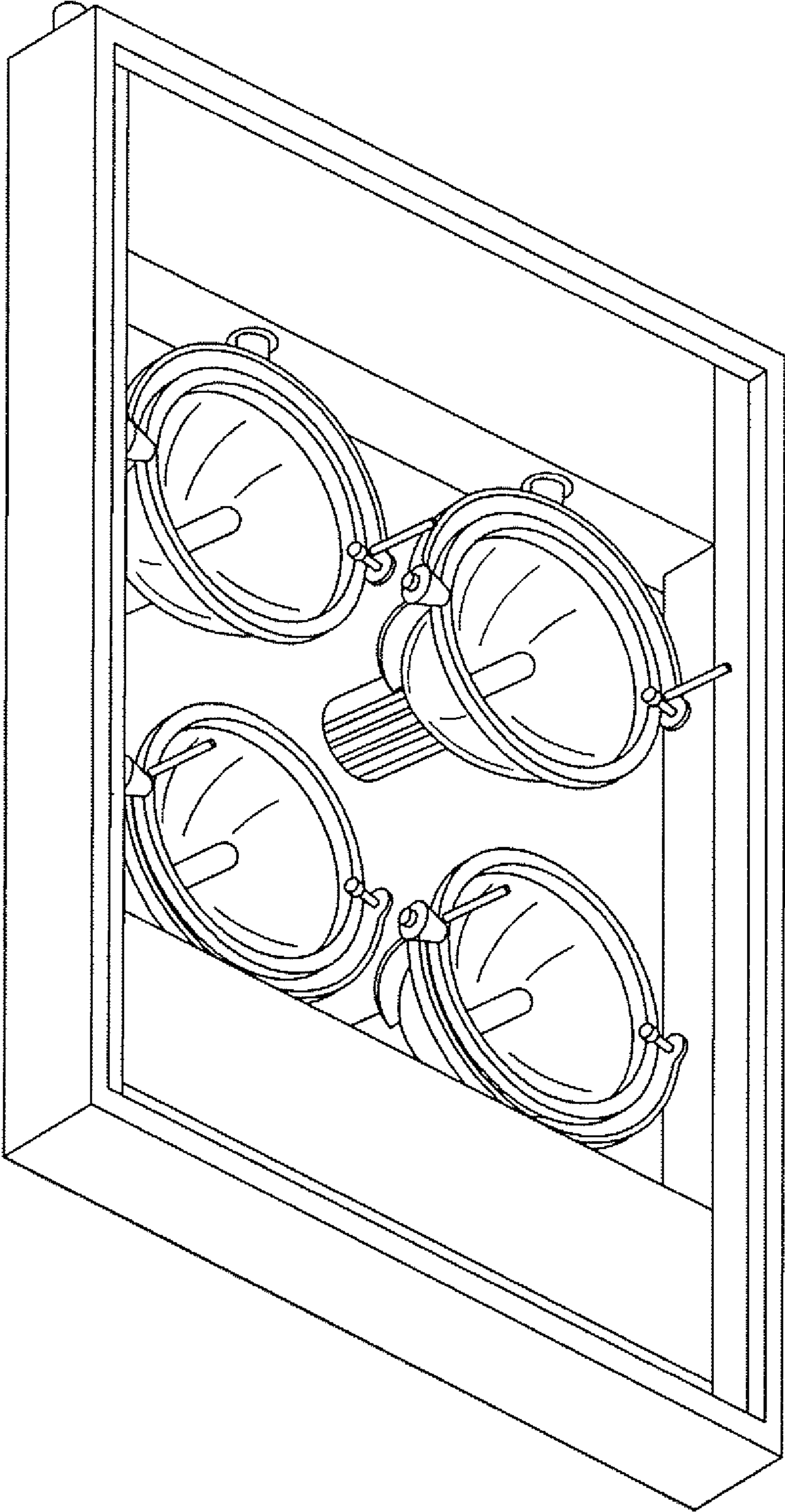


FIG. 6