



US00D568514S

(12) **United States Design Patent**  
**Shiu**

(10) **Patent No.:** **US D568,514 S**

(45) **Date of Patent:** **\*\* May 6, 2008**

(54) **FLASHLIGHT**

(75) Inventor: **Stephanie Wai Man Shiu**, Kowloon (HK)

(73) Assignee: **Gold Coral International Limited**, San Po Kong, Kowloon (HK)

(\*\*) Term: **14 Years**

(21) Appl. No.: **29/275,244**

(22) Filed: **Dec. 18, 2006**

(30) **Foreign Application Priority Data**

Jul. 13, 2006 (HK) ..... 0601837

(51) **LOC (8) Cl.** ..... **26-02**

(52) **U.S. Cl.** ..... **D26/49; D26/37**

(58) **Field of Classification Search** ..... D26/37, D26/46, 49, 48, 50; 362/157, 158, 183, 184, 362/195, 196, 202, 203, 204, 205, 206, 208  
See application file for complete search history.

(56) **References Cited**

**U.S. PATENT DOCUMENTS**

D417,022 S \* 11/1999 Chiu ..... D26/49  
D419,254 S \* 1/2000 Chiu ..... D26/49

D443,705 S \* 6/2001 Sanders ..... D26/37  
D473,961 S \* 4/2003 Galli ..... D26/49  
D544,116 S \* 6/2007 Wai ..... D26/37  
D544,120 S \* 6/2007 Matthews et al. .... D26/37  
D544,730 S \* 6/2007 Stukenberg ..... D6/492  
D544,976 S \* 6/2007 Lui et al. .... D26/46

\* cited by examiner

*Primary Examiner*—Ian Simmons

*Assistant Examiner*—Carissa C Fitts

(74) *Attorney, Agent, or Firm*—Joseph G. Swan, PC

(57) **CLAIM**

The ornamental design for a flashlight, as shown and described.

**DESCRIPTION**

FIG. 1 is a left side elevational view of a flashlight according to the present invention.

FIG. 2 is a top plan view of the flashlight.

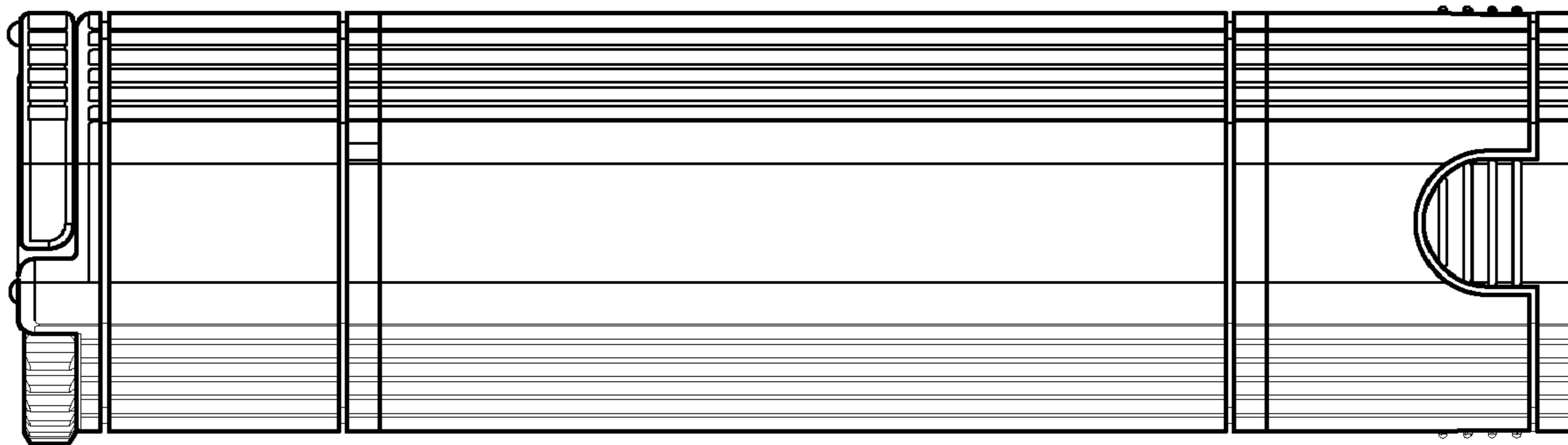
FIG. 3 is a right side elevational view of the flashlight.

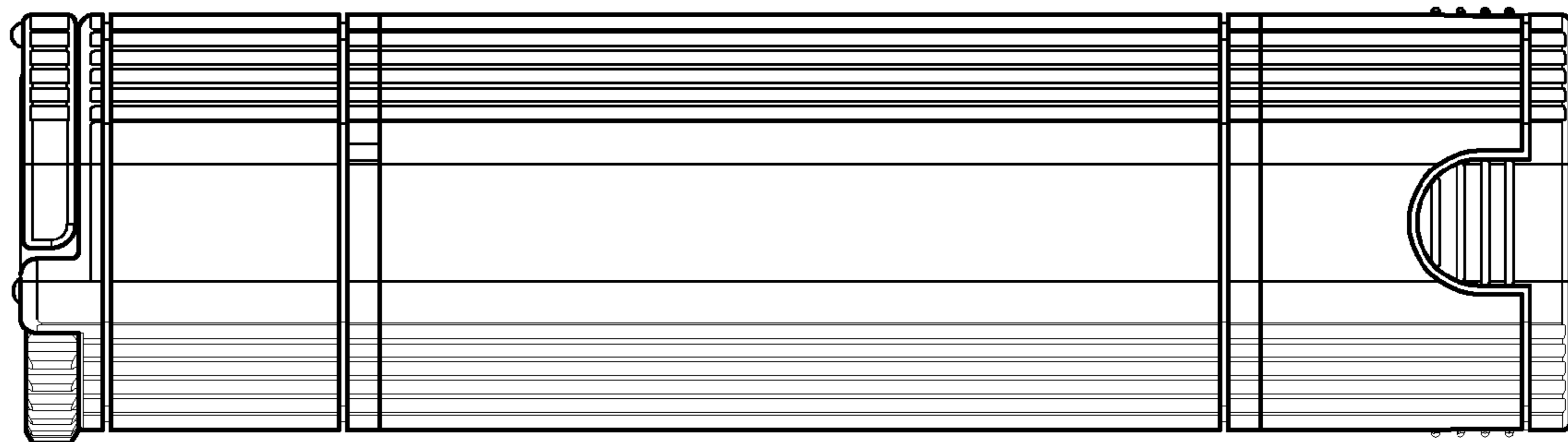
FIG. 4 is a bottom plan view of the flashlight.

FIG. 5 is a front elevational view of the flashlight; and,

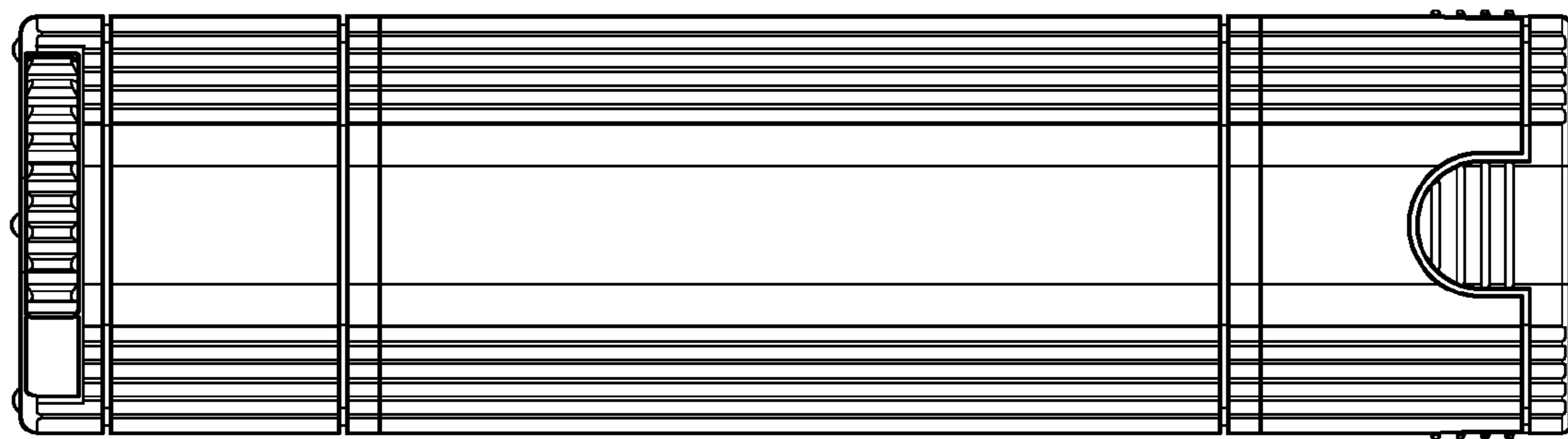
FIG. 6 is a rear elevational view of the flashlight.

**1 Claim, 3 Drawing Sheets**

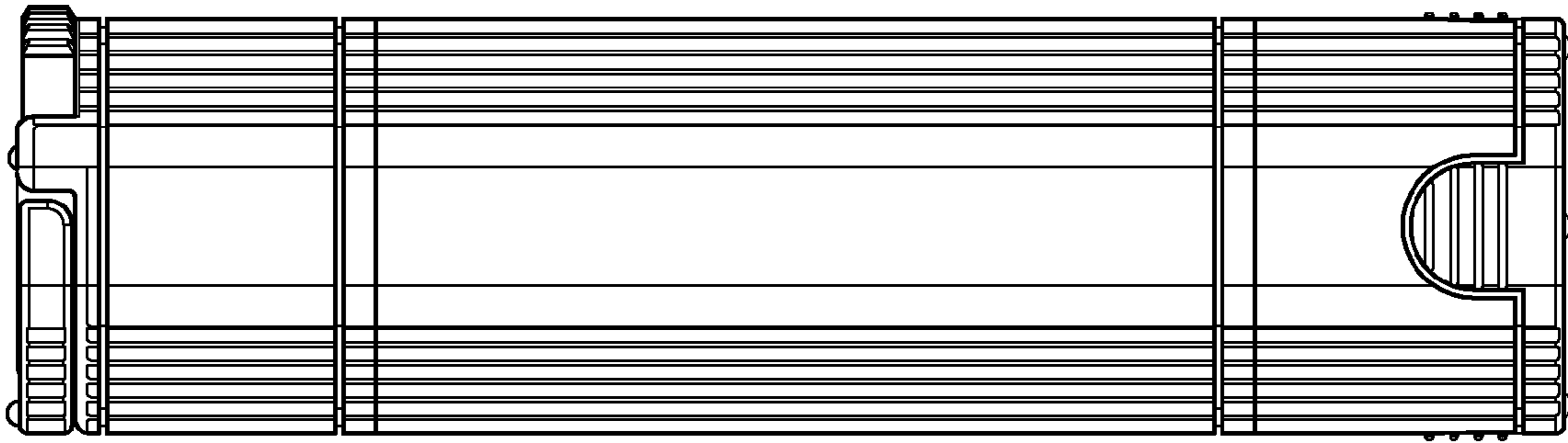




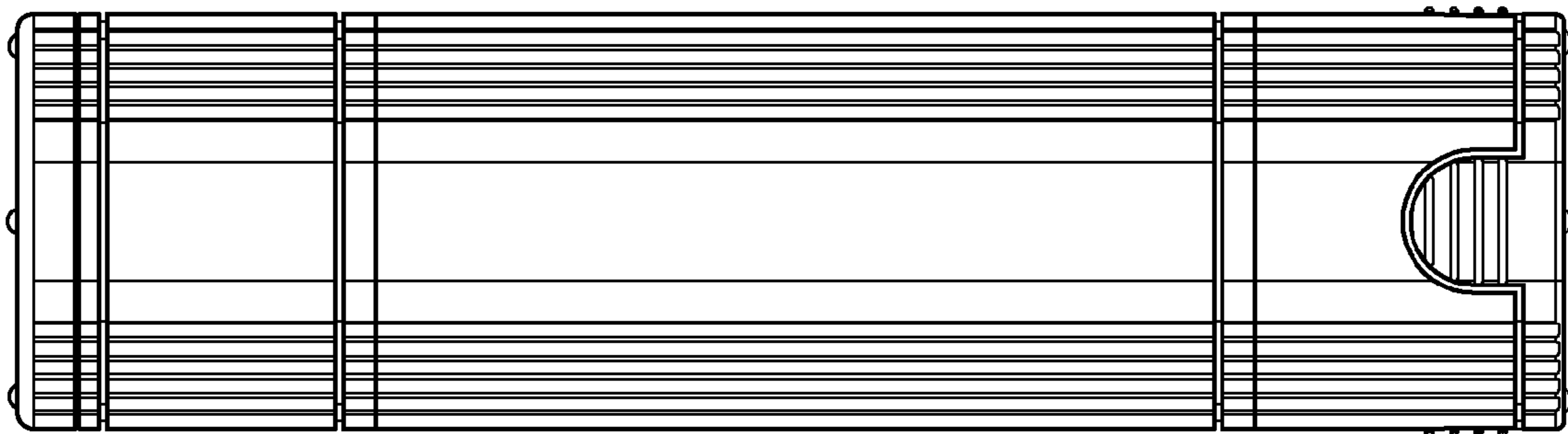
*FIG. 1*



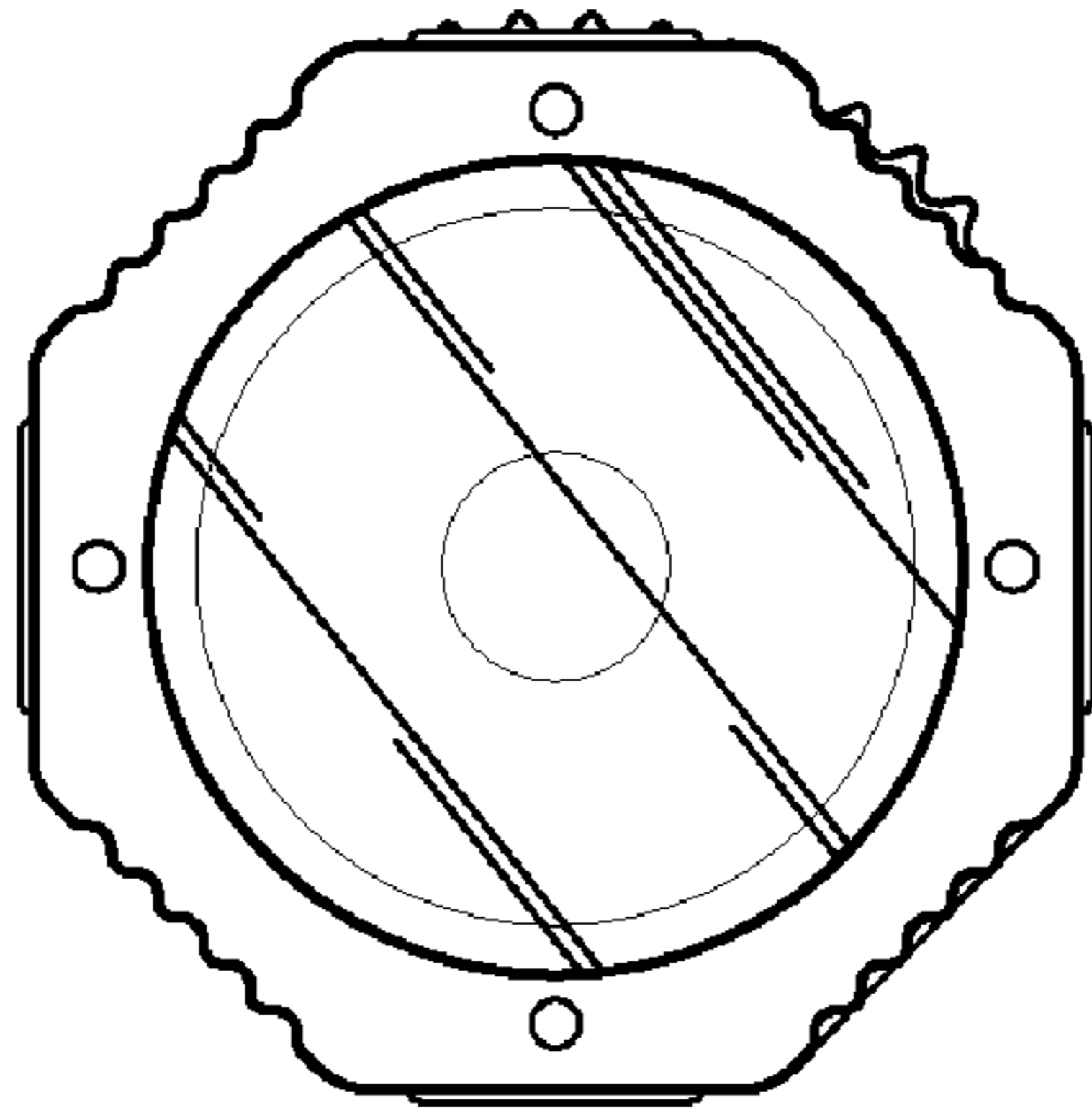
*FIG. 2*



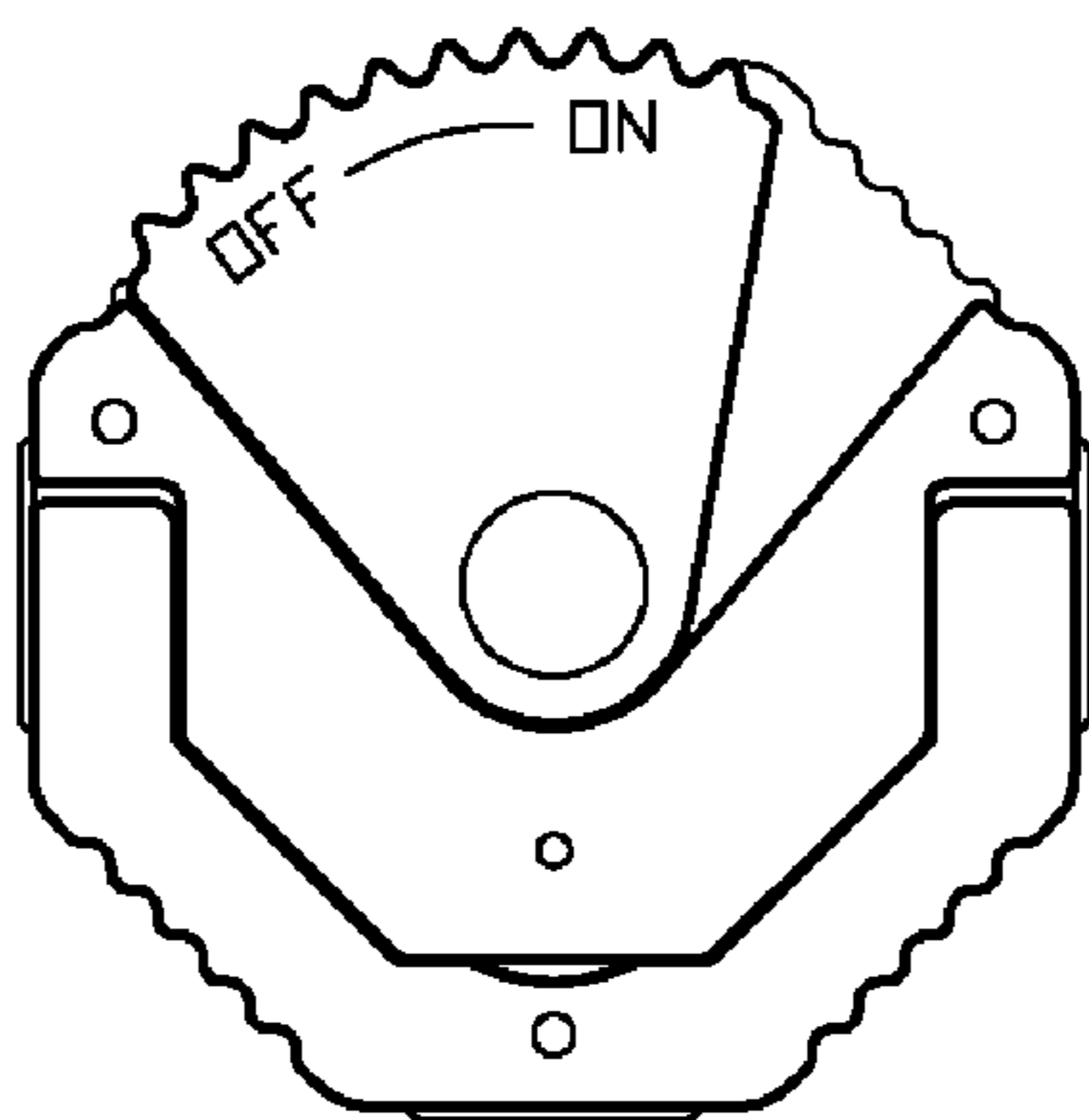
*FIG. 3*



*FIG. 4*



**FIG. 5**



**FIG. 6**