



US00D568513S

(12) **United States Design Patent**  
**Li**

(10) **Patent No.:** **US D568,513 S**

(45) **Date of Patent:** **\*\* May 6, 2008**

(54) **RECHARGEABLE CAMPING LIGHT**

(76) **Inventor:** **Shen Jian Li**, Industrial Park, Simen, Yuyao City, Zhejiang Province (CN)

(\*\*) **Term:** **14 Years**

(21) **Appl. No.:** **29/250,184**

(22) **Filed:** **Nov. 6, 2006**

(51) **LOC (8) Cl.** ..... **26-02**

(52) **U.S. Cl.** ..... **D26/42; D26/40**

(58) **Field of Classification Search** ..... D26/37,  
D26/38, 40, 41, 42, 46, 47, 50; 362/157,  
362/158, 194, 195, 208, 183, 190, 191  
See application file for complete search history.

(56) **References Cited**

**U.S. PATENT DOCUMENTS**

D234,311 S *	2/1975	Oakley	.....	D26/41
D285,840 S *	9/1986	Poon	.....	D26/42
D306,768 S *	3/1990	Yuen	.....	D26/42
D311,964 S *	11/1990	Wan	.....	D26/40
D334,437 S *	3/1993	Poon	.....	D26/42
D352,794 S *	11/1994	Bamber et al.	.....	D26/42
5,588,738 A *	12/1996	Meoli	.....	362/184
D439,354 S *	3/2001	Yuen	.....	D26/42
D441,888 S *	5/2001	Haneda et al.	.....	D26/42
D492,806 S *	7/2004	Hsu et al.	.....	D26/40
2004/0228124 A1 *	11/2004	Reiff et al.	.....	362/184

**OTHER PUBLICATIONS**

Rechargeable Camping Lantern with 20W Fluorescent Tube Model No. TL5018, updated Aug. 4, 2007, [online], [retrieved on Sep. 14, 2007]. Retrieved from Internet <URL: <http://taller.manufacturer.globalsources.com/si/6008814651686/pdtl/Rechargeable-emergency/1003171262/Rechargeable-Camping-Lantern.htm>>.\*

\* cited by examiner

*Primary Examiner*—Ian Simmons

*Assistant Examiner*—Carissa C Fitts

(74) *Attorney, Agent, or Firm*—Global IP Services; Tianhua Gu

(57) **CLAIM**

The ornamental design for a rechargeable camping light, as shown and described.

**DESCRIPTION**

FIG. 1 is a perspective view of a rechargeable camping light showing my new design;

FIG. 2 is a front view thereof;

FIG. 3 is a back view thereof;

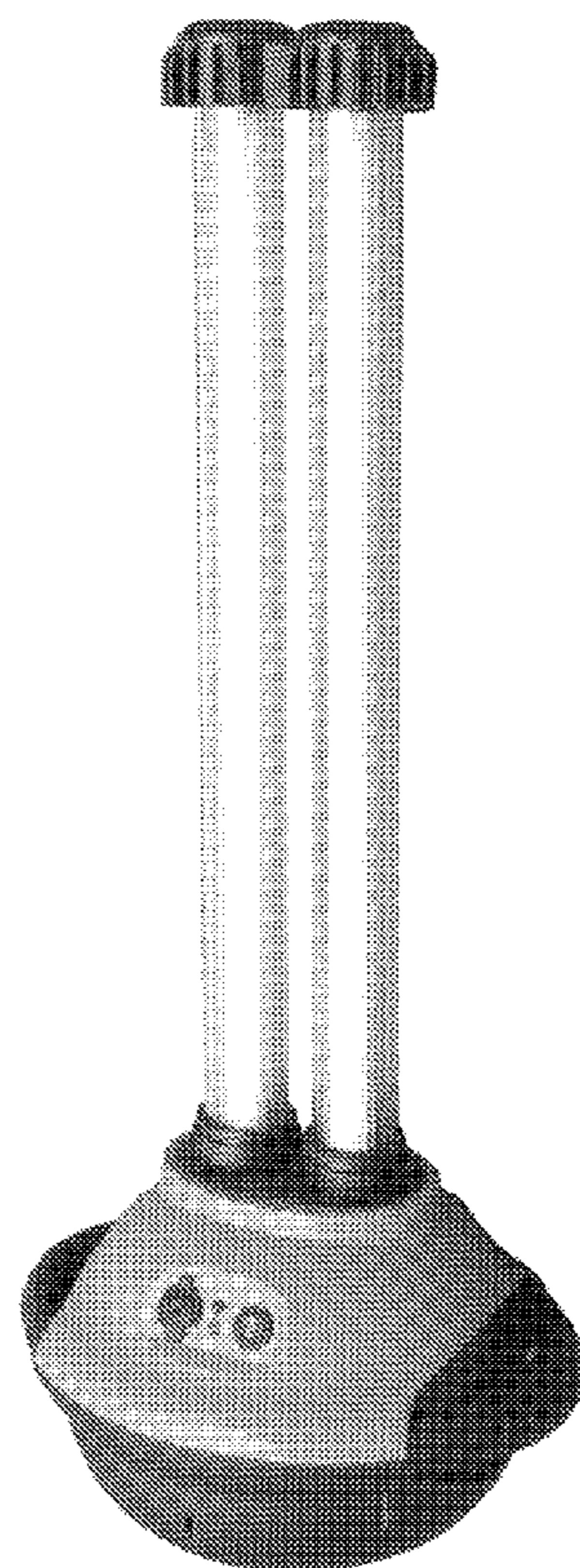
FIG. 4 is a left side view thereof;

FIG. 5 is a right side view thereof;

FIG. 6 is a top view thereof; and,

FIG. 7 is a bottom view thereof.

**1 Claim, 4 Drawing Sheets**



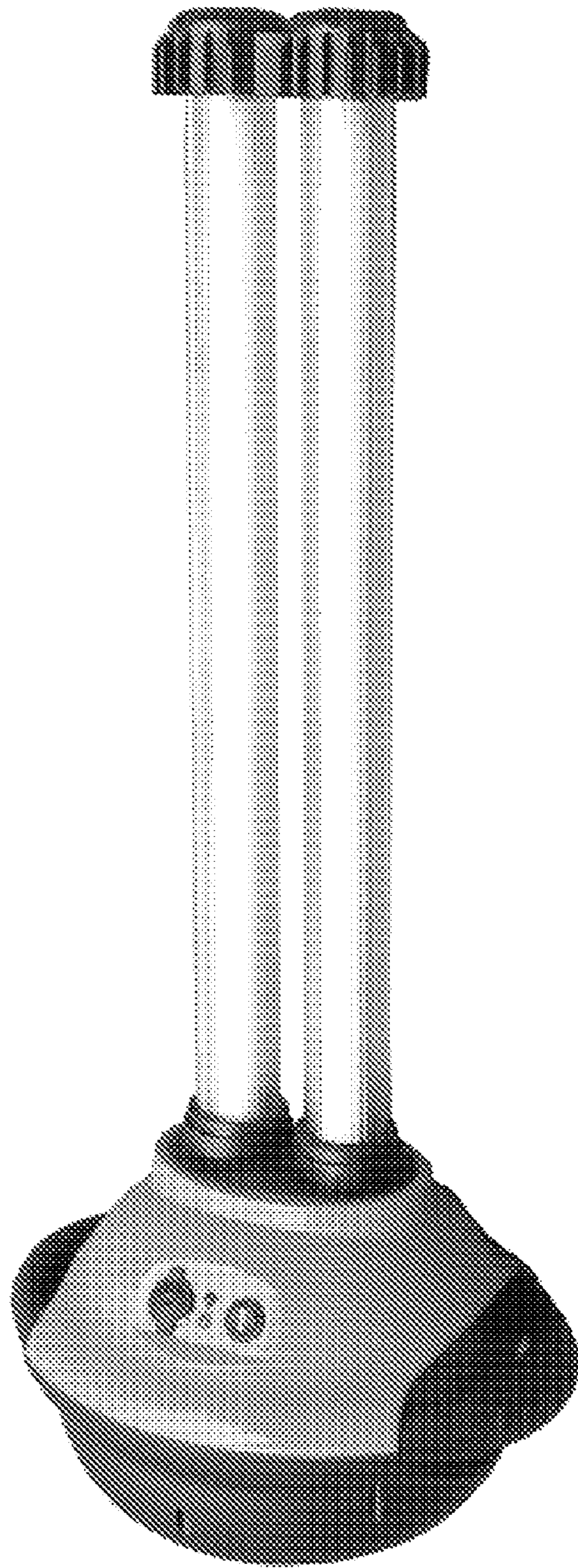


Fig. 1



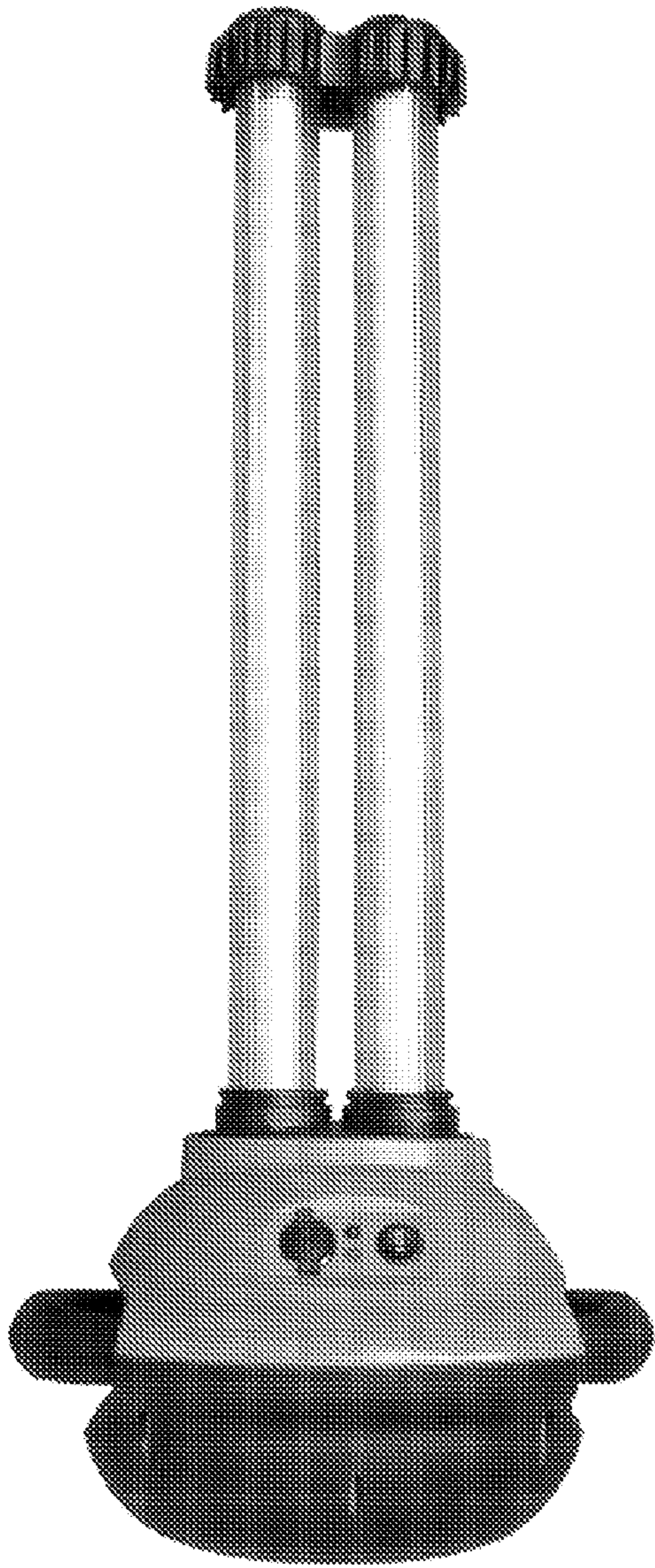


Fig. 2

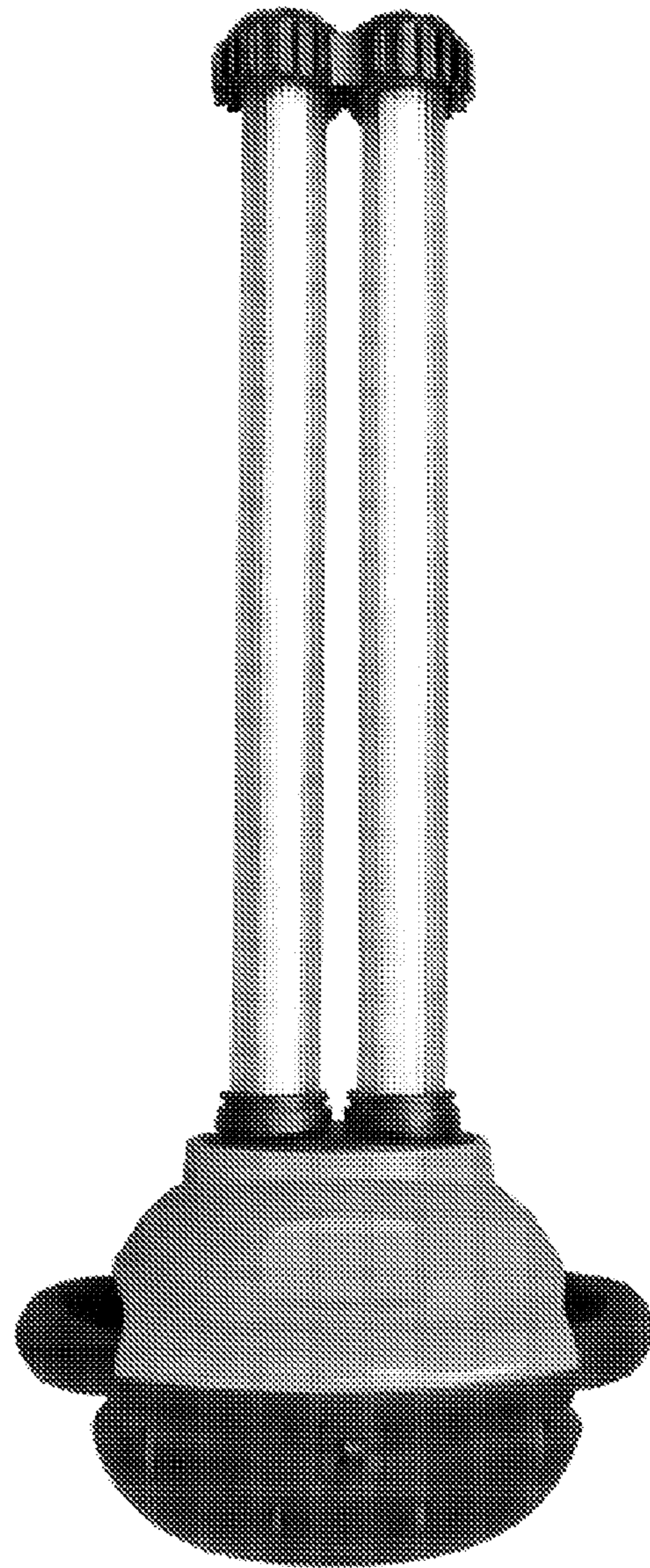


Fig. 3



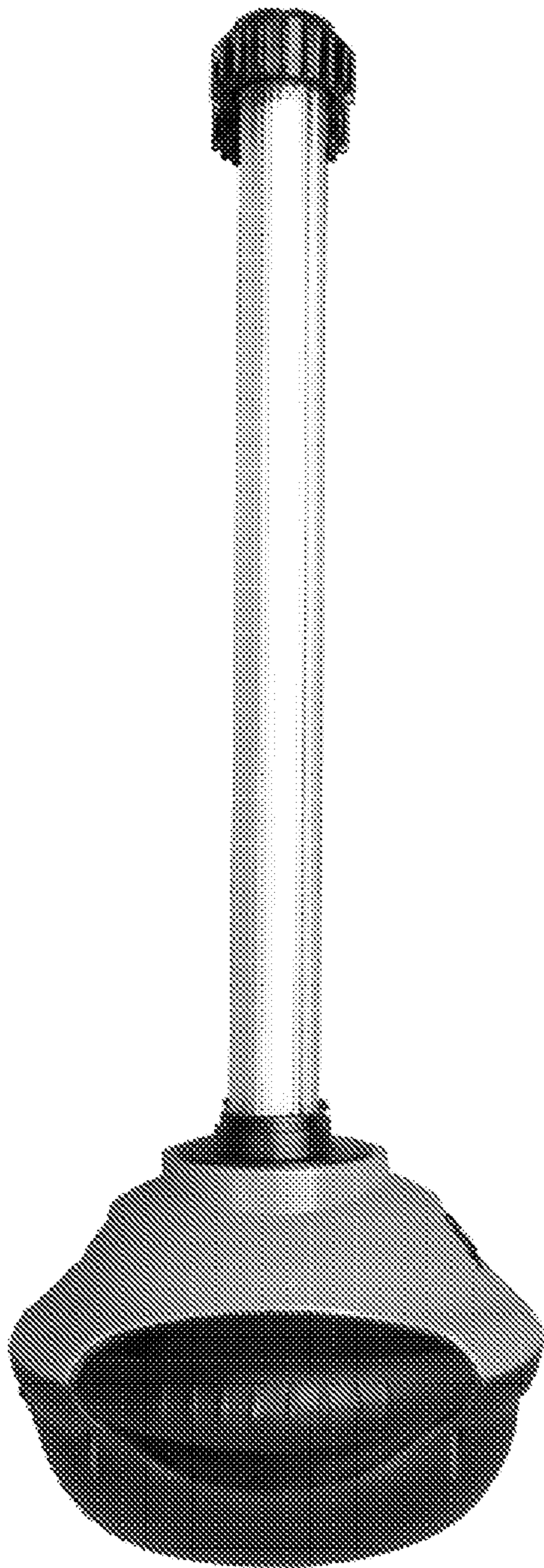


Fig. 4

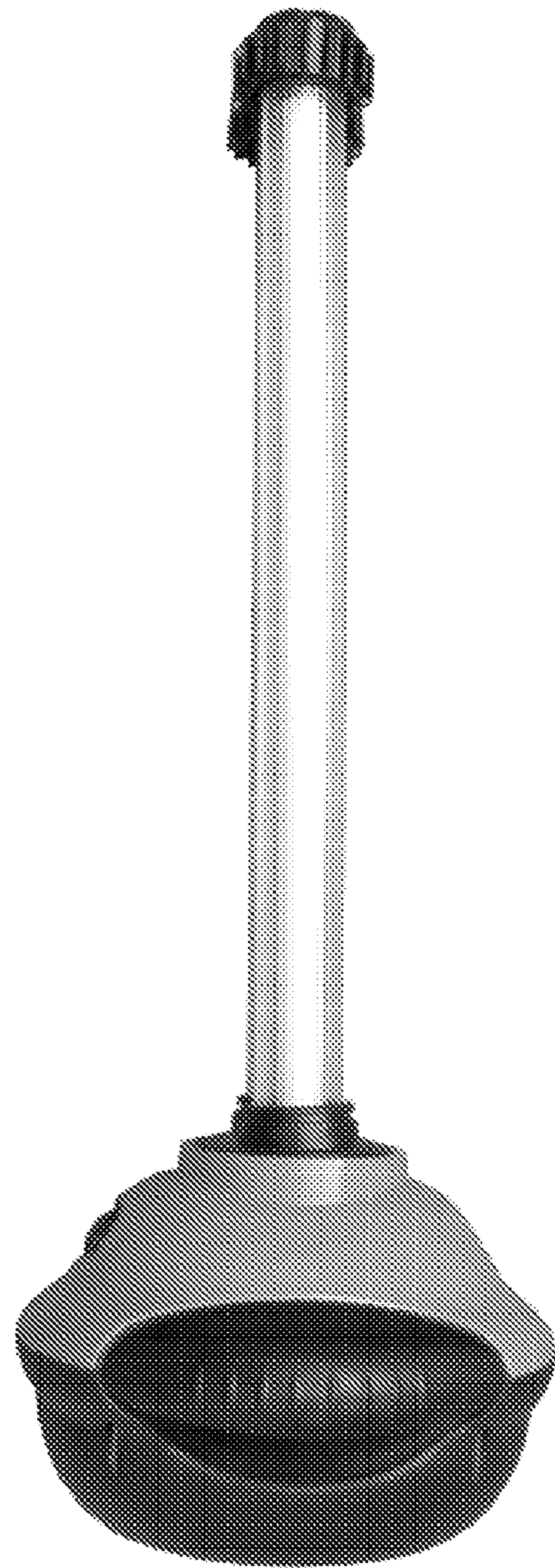


Fig. 5



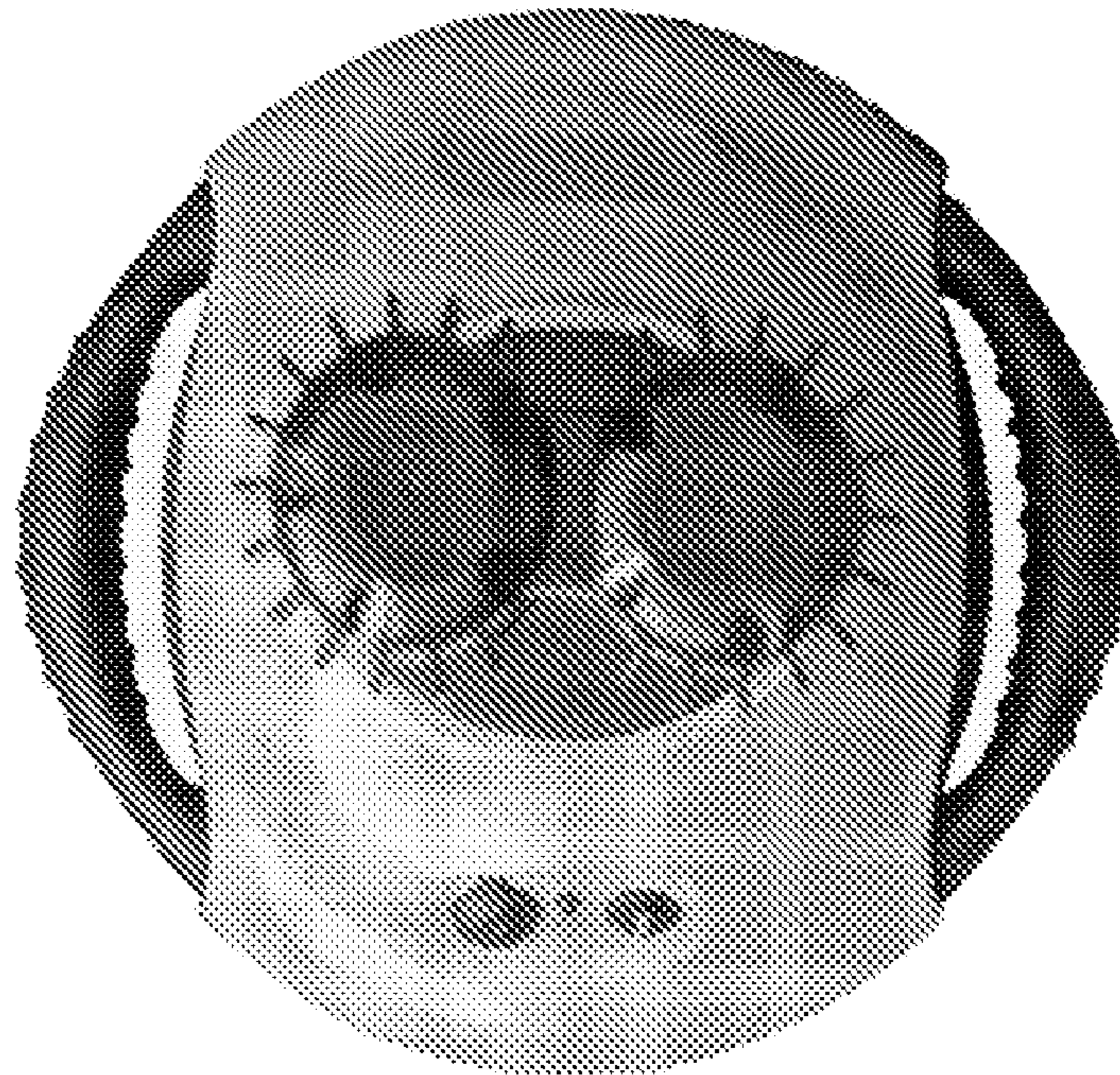


Fig. 6

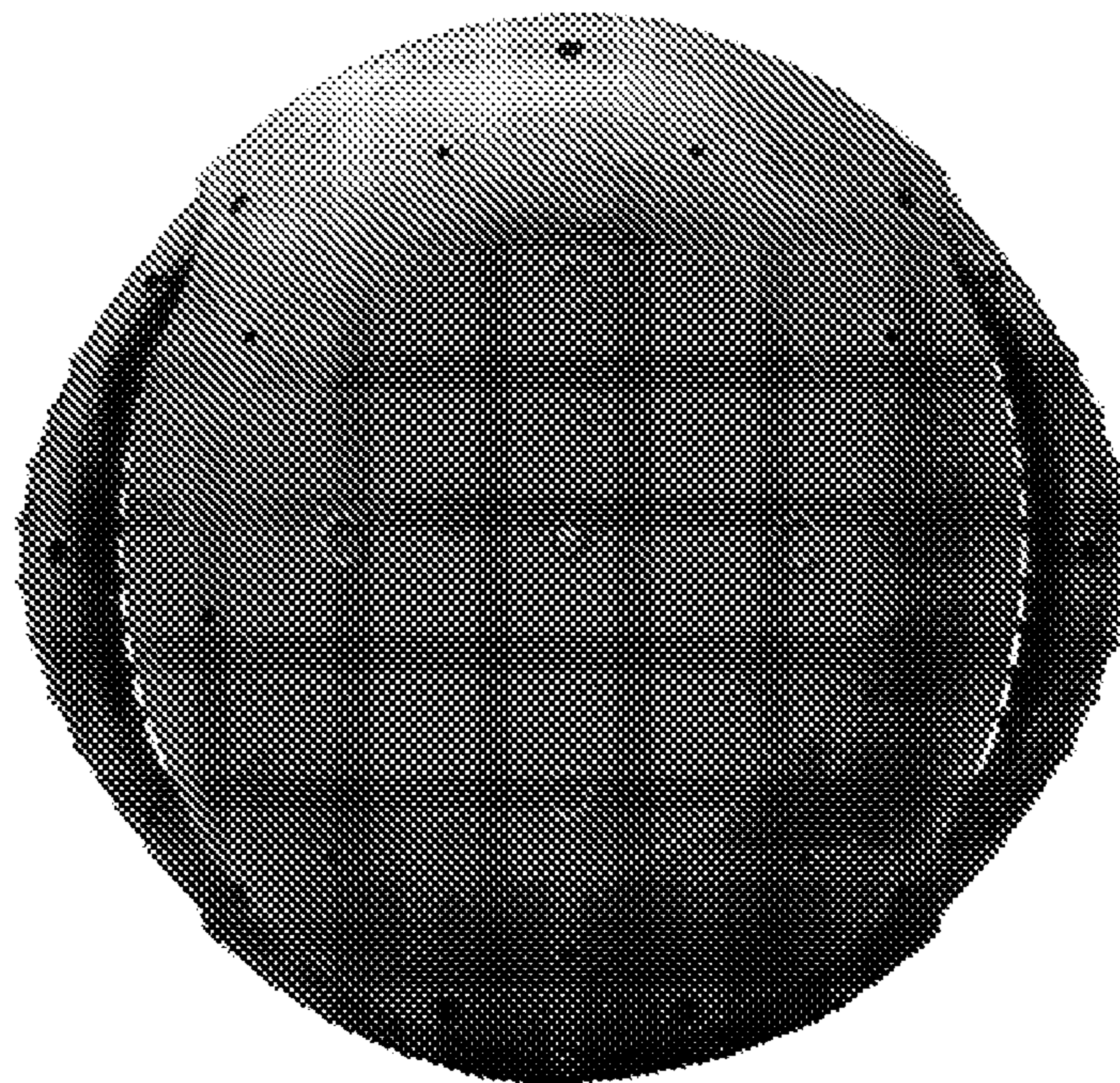


Fig. 7