



US00D568510S

(12) **United States Design Patent**
Shiu

(10) **Patent No.:** **US D568,510 S**

(45) **Date of Patent:** **** May 6, 2008**

(54) **PORTABLE LIGHT SOURCE**

D557,842 S * 12/2007 Lee et al. D26/39

(75) Inventor: **Stephanie Wai Man Shiu**, Kowloon (HK)

* cited by examiner

Primary Examiner—Marcus A Jackson

(73) Assignee: **Gold Coral International Limited**, San Po Kong, Kowloon (HK)

(74) *Attorney, Agent, or Firm*—Joseph G. Swan, PC

(**) Term: **14 Years**

(57) **CLAIM**

(21) Appl. No.: **29/295,210**

The ornamental design for a portable light source, as shown and described.

(22) Filed: **Sep. 23, 2007**

DESCRIPTION

(30) **Foreign Application Priority Data**

Mar. 27, 2007 (HK) 0700845

FIG. 1 is a front elevational view of a portable light source attached to a head strap according to the present invention.

(51) **LOC (8) Cl.** **26-02**

FIG. 2 is a front elevational view of the portable light source.

(52) **U.S. Cl.** **D26/39**

FIG. 3 is a rear elevational view of the portable light source.

(58) **Field of Classification Search** D26/37-50;
362/157, 158, 171-174, 183-208

FIG. 4 is a top plan view of the portable light source.

See application file for complete search history.

FIG. 5 is a bottom plan view of the portable light source.

FIG. 6 is a right side elevational view of the portable light source; and,

(56) **References Cited**

FIG. 7 is a left side elevational view of the portable light source.

U.S. PATENT DOCUMENTS

D445,929 S * 7/2001 Shing D26/39

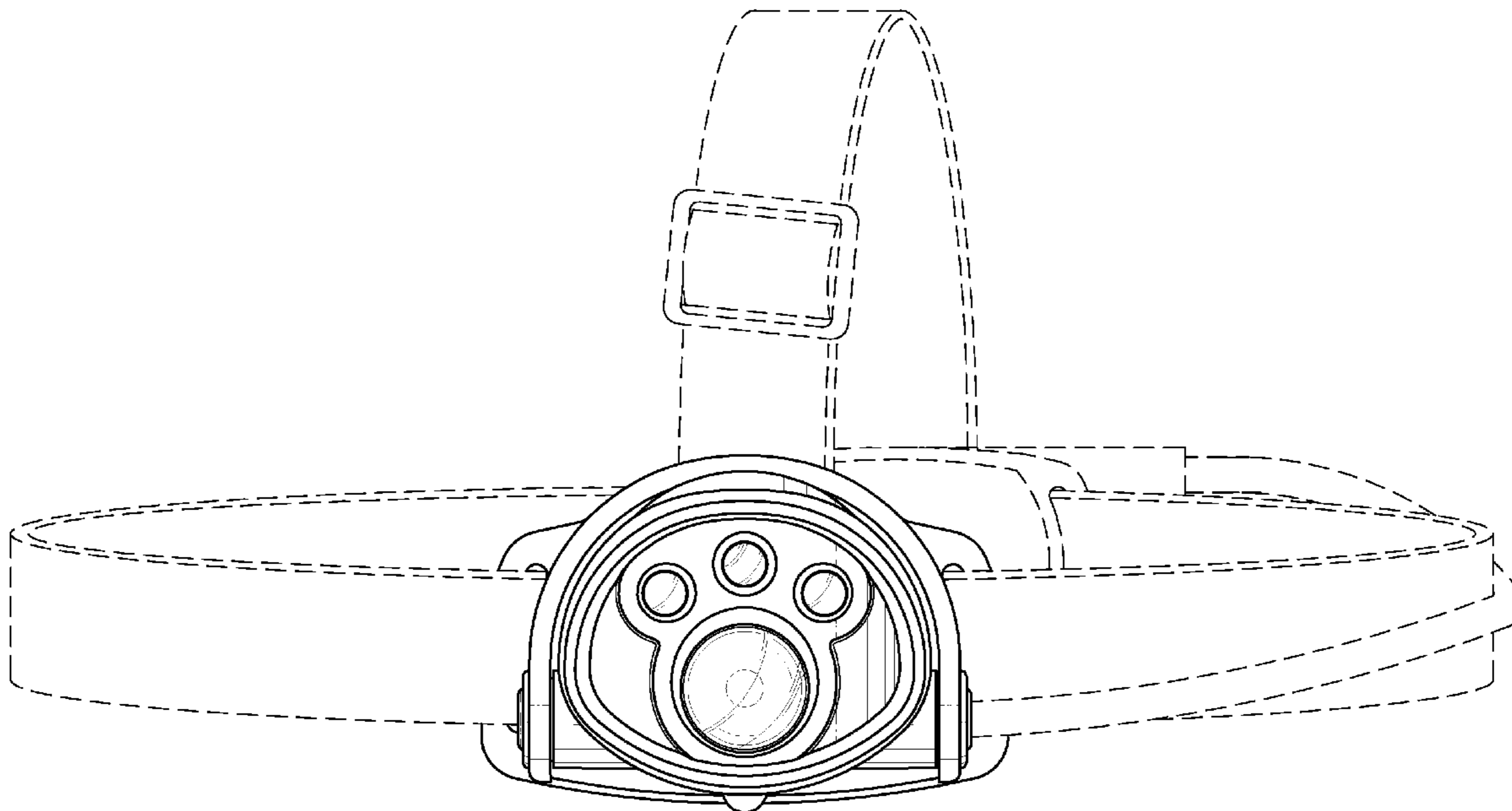
The portions shown in broken lines are solely for the purpose of illustrating context and form no part of the claimed design.

D445,931 S * 7/2001 Shiu D26/39

D532,538 S * 11/2006 Yuen D26/39

D556,927 S * 12/2007 Shiu D26/39

1 Claim, 4 Drawing Sheets



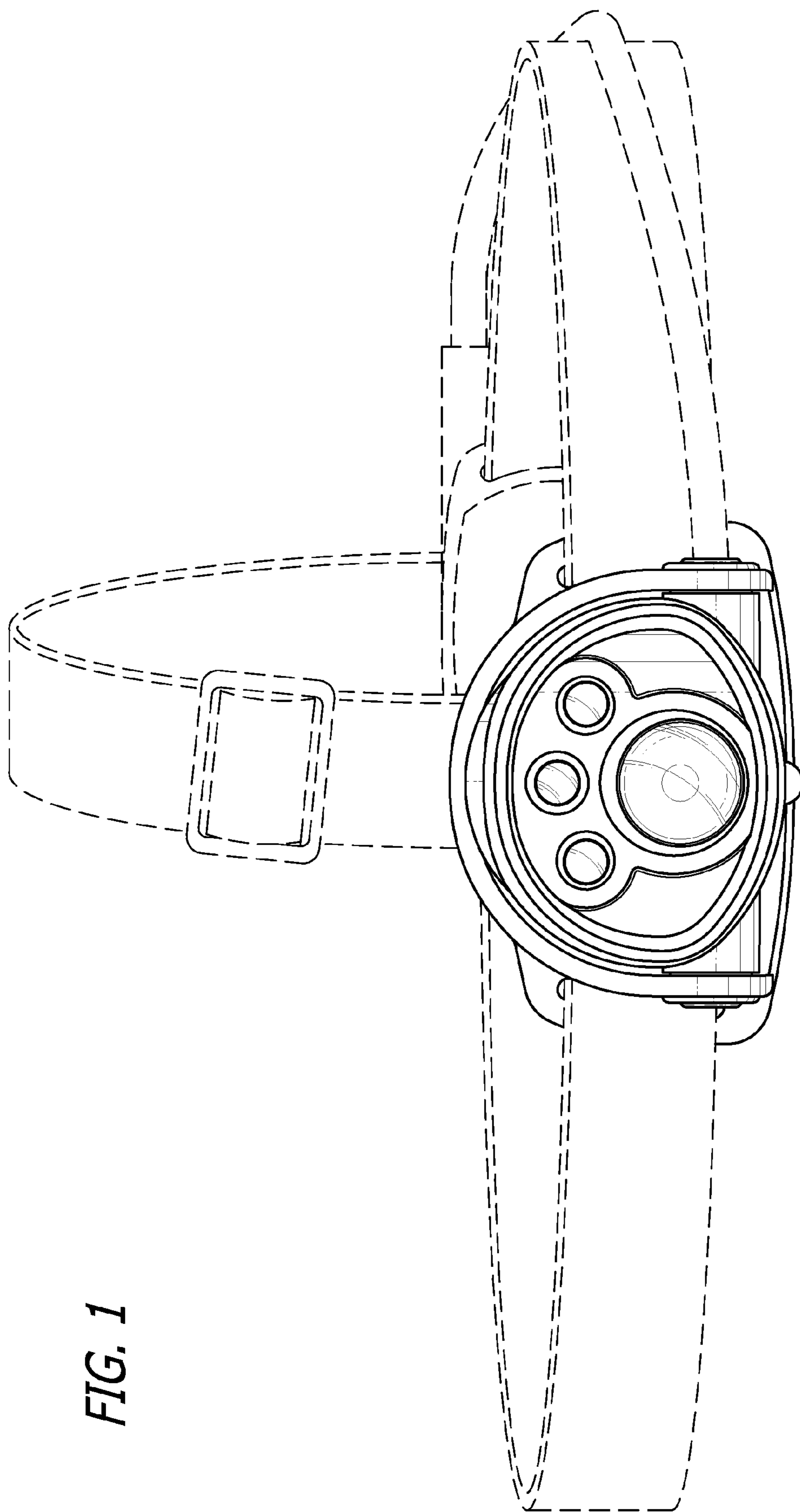


FIG. 1

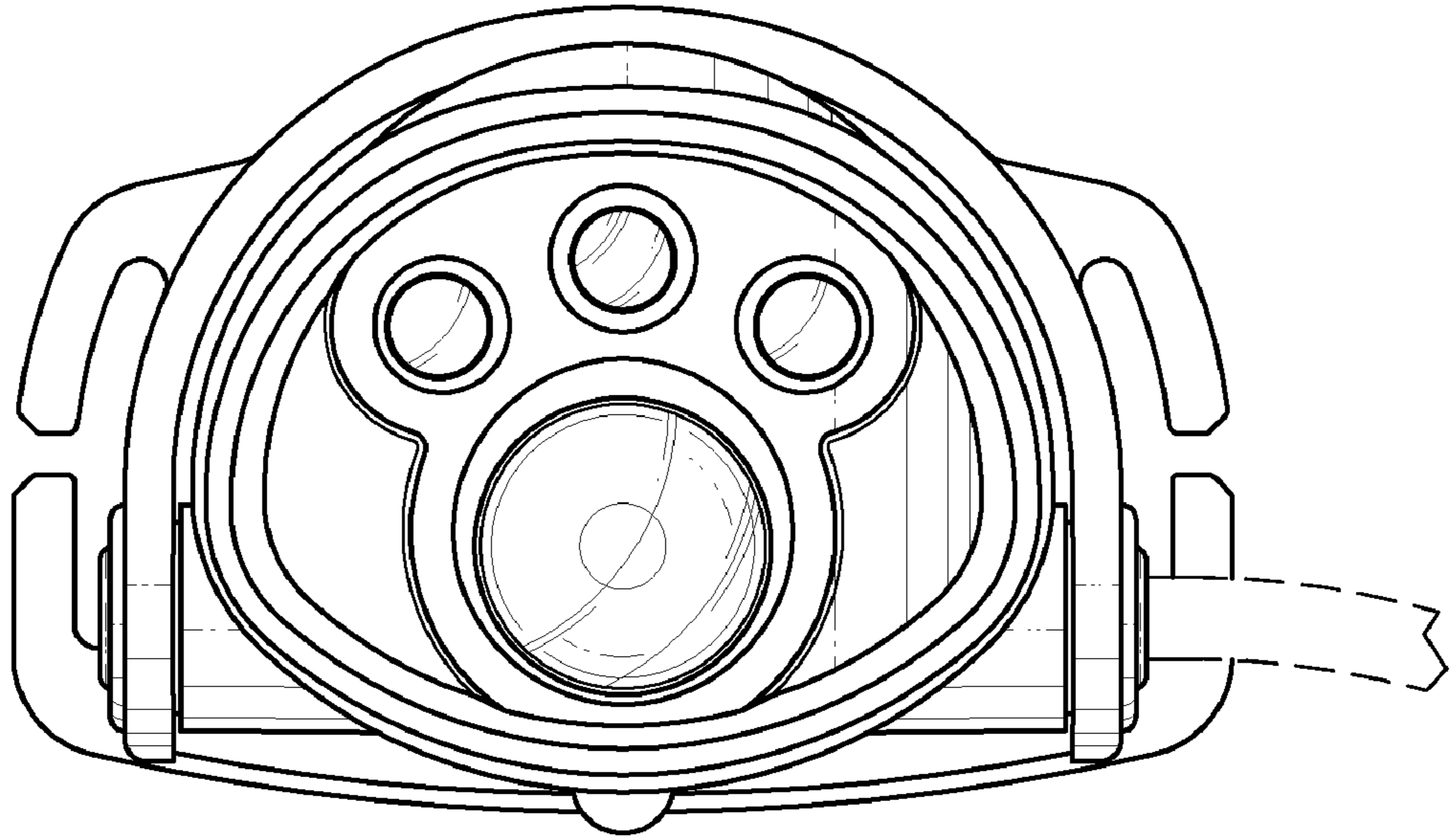


FIG. 2

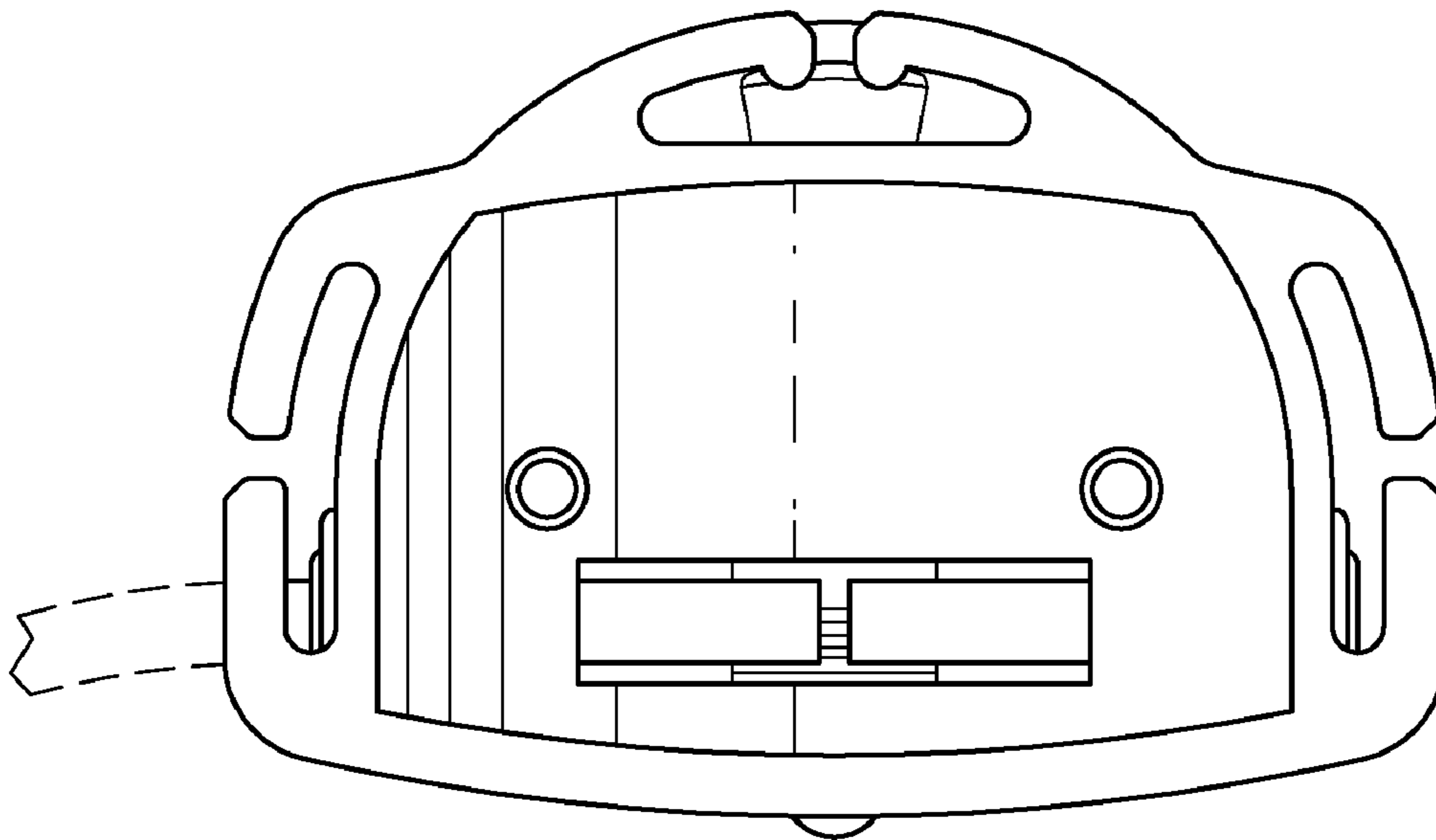


FIG. 3

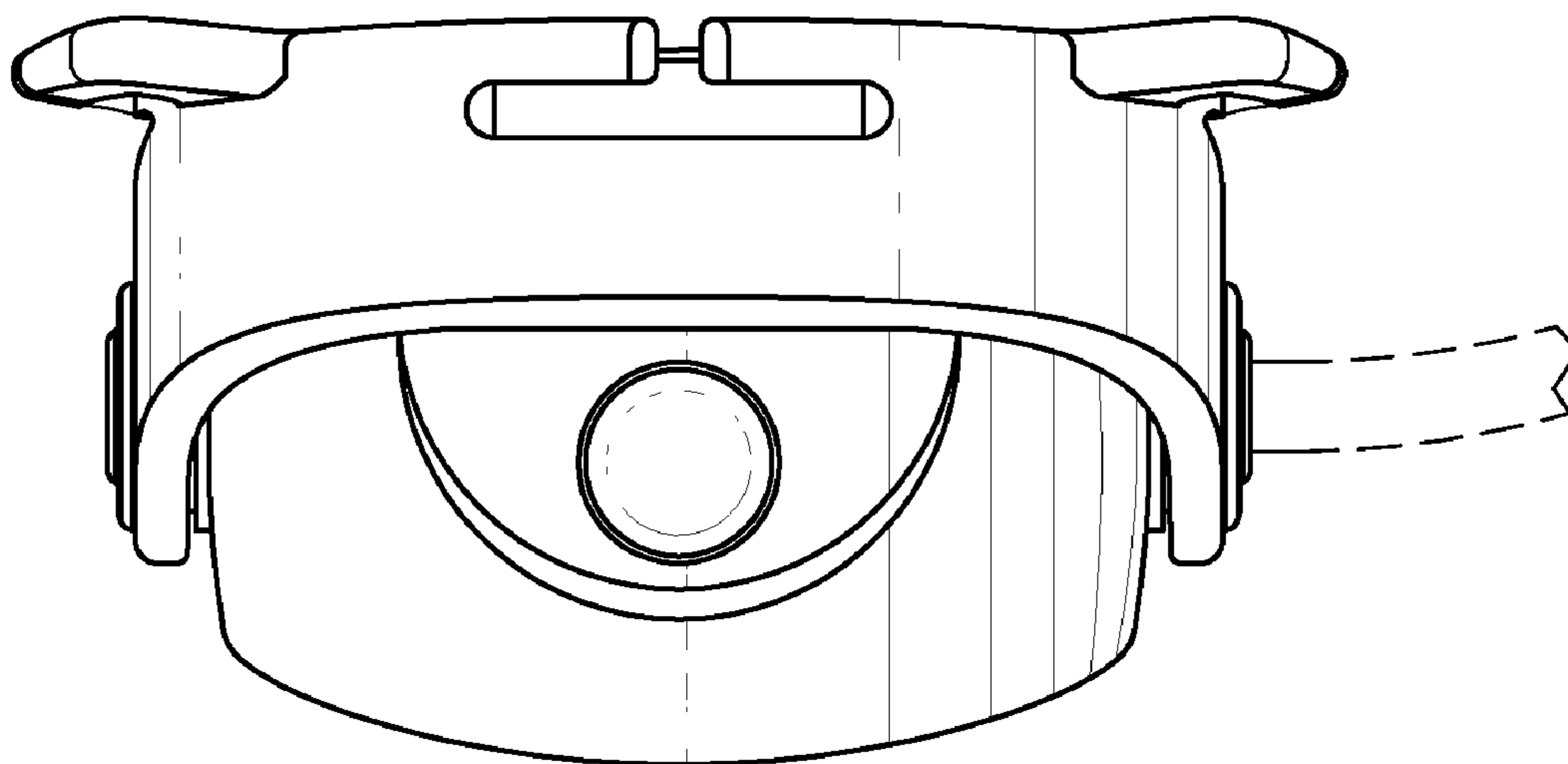


FIG. 4

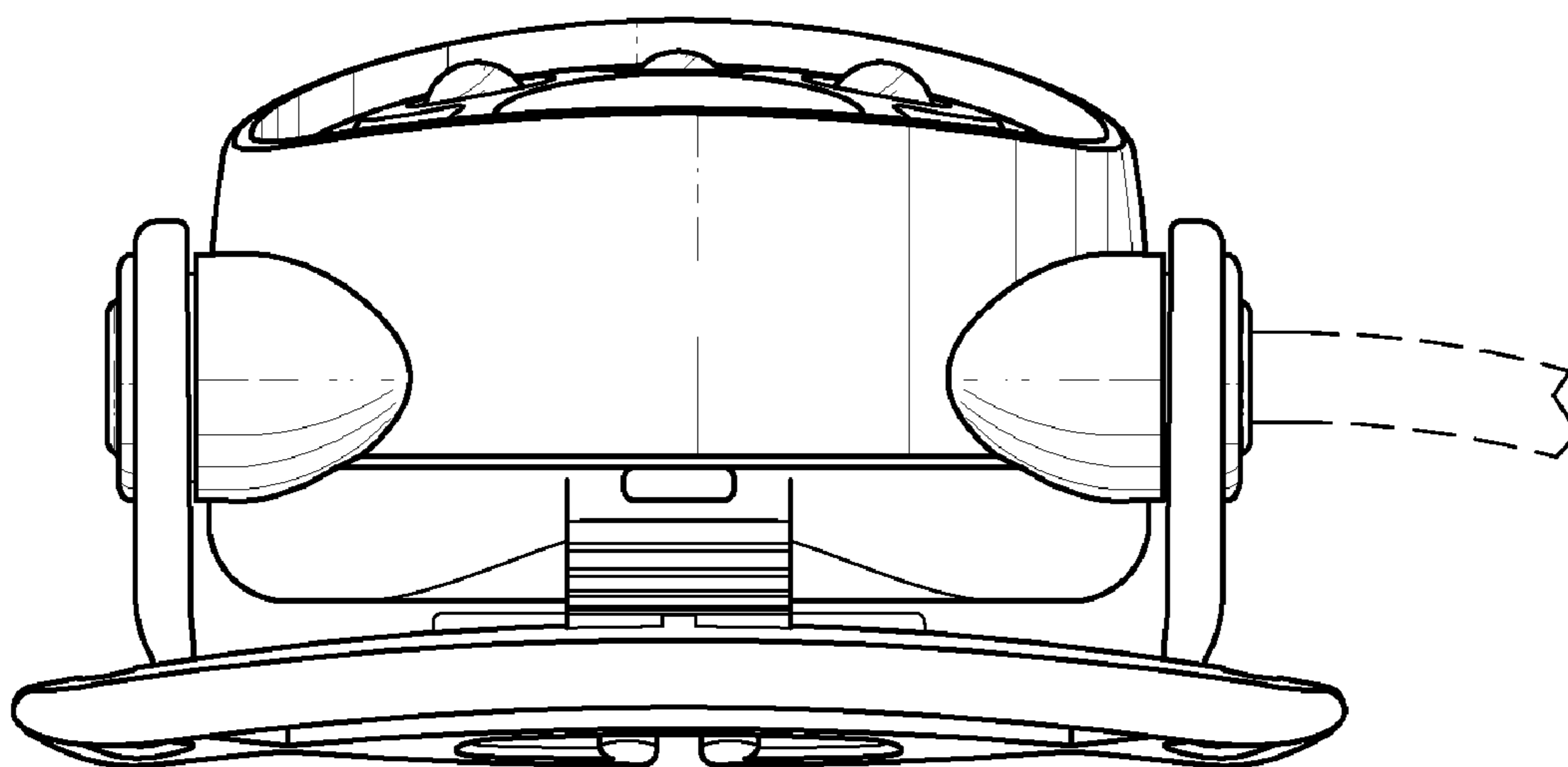


FIG. 5

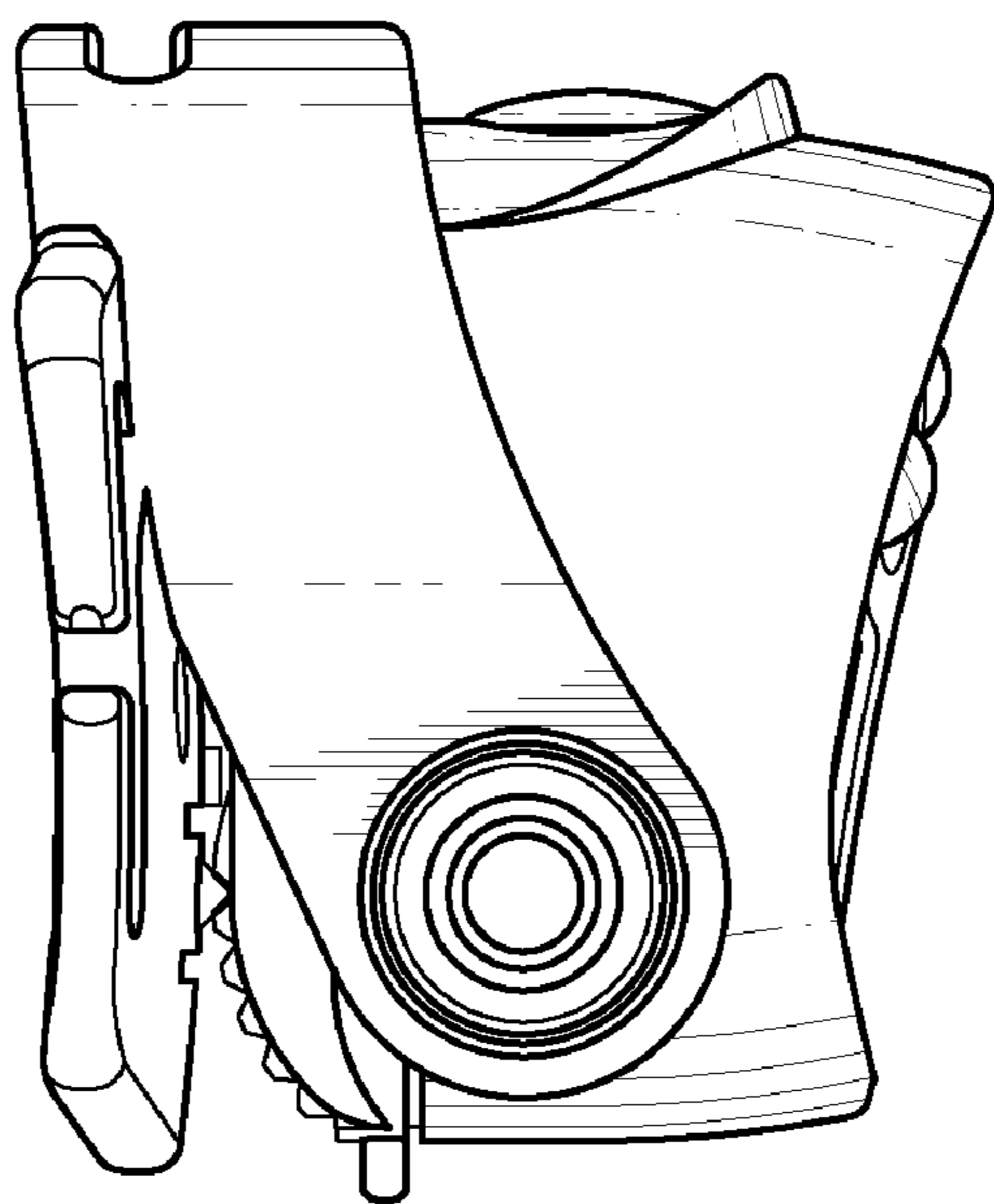


FIG. 6

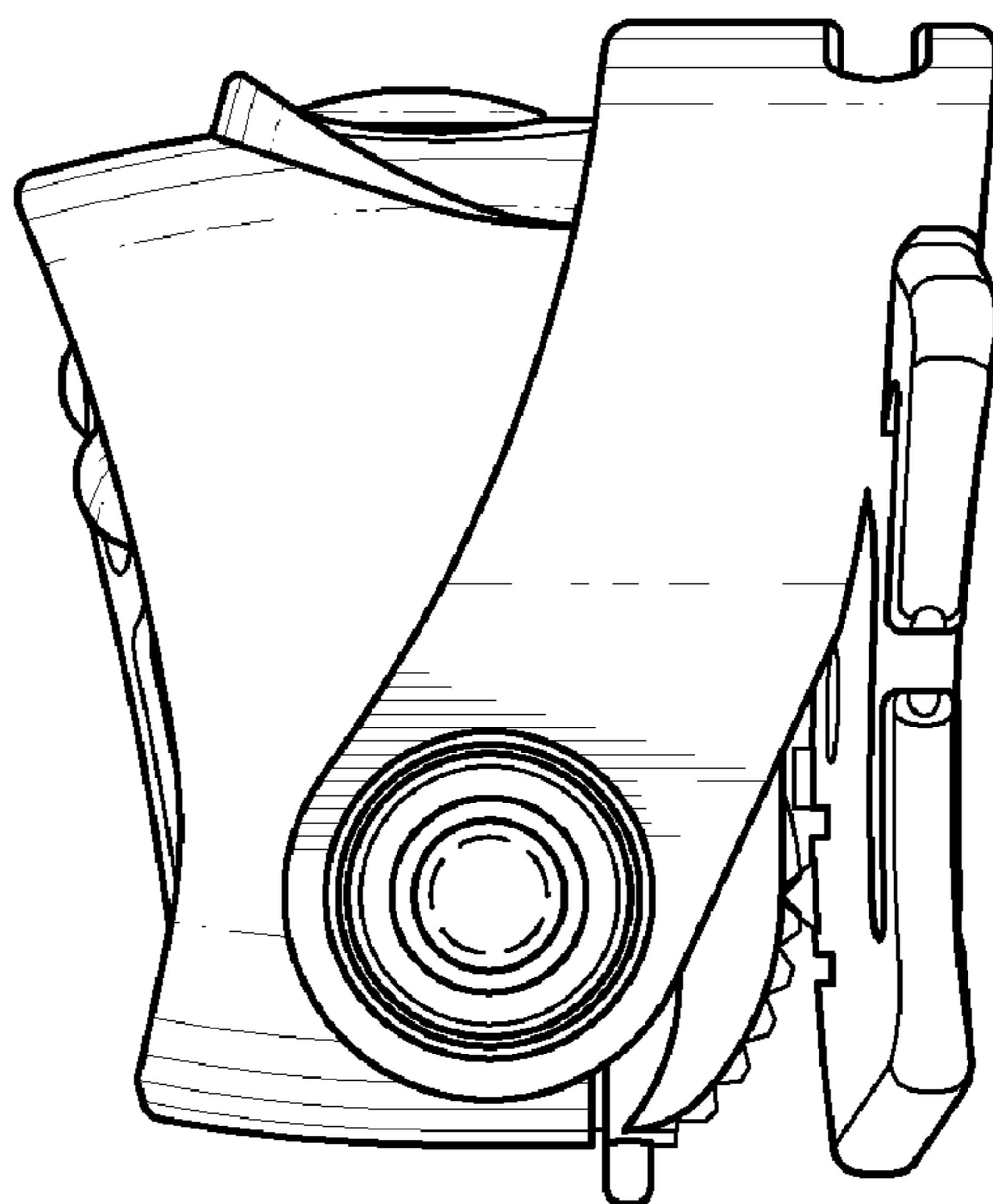


FIG. 7