

US00D568509S

(12) **United States Design Patent**  
**Shiu**

(10) **Patent No.:** **US D568,509 S**

(45) **Date of Patent:** **\*\* May 6, 2008**

(54) **HEADLIGHT**

D532,537 S \* 11/2006 Shiu ..... D26/39  
D542,450 S \* 5/2007 Shiu ..... D26/60

(75) Inventor: **Stephanie Wai Man Shiu**, Kowloon  
(HK)

\* cited by examiner

(73) Assignee: **Gold Coral International Limited**,  
Kowloon (HK)

*Primary Examiner*—Marcus A. Jackson  
(74) *Attorney, Agent, or Firm*—Carmody & Torrance LLP

(\*\*) Term: **14 Years**

(57) **CLAIM**

(21) Appl. No.: **29/199,086**

The ornamental design for a headlight, as shown and described.

(22) Filed: **Feb. 9, 2004**

**DESCRIPTION**

(51) **LOC (8) Cl.** ..... **26-02**

(52) **U.S. Cl.** ..... **D26/39**

(58) **Field of Classification Search** ..... D26/37-50;  
362/157, 158, 171-174, 183-208  
See application file for complete search history.

FIG. 1 is a top plan view of a headlight showing my new design;

FIG. 2 is a front view thereof;

FIG. 3 is a bottom plan view thereof;

FIG. 4 is a rear view thereof;

FIG. 5 is a left side view thereof;

FIG. 6 is a right side view thereof; and,

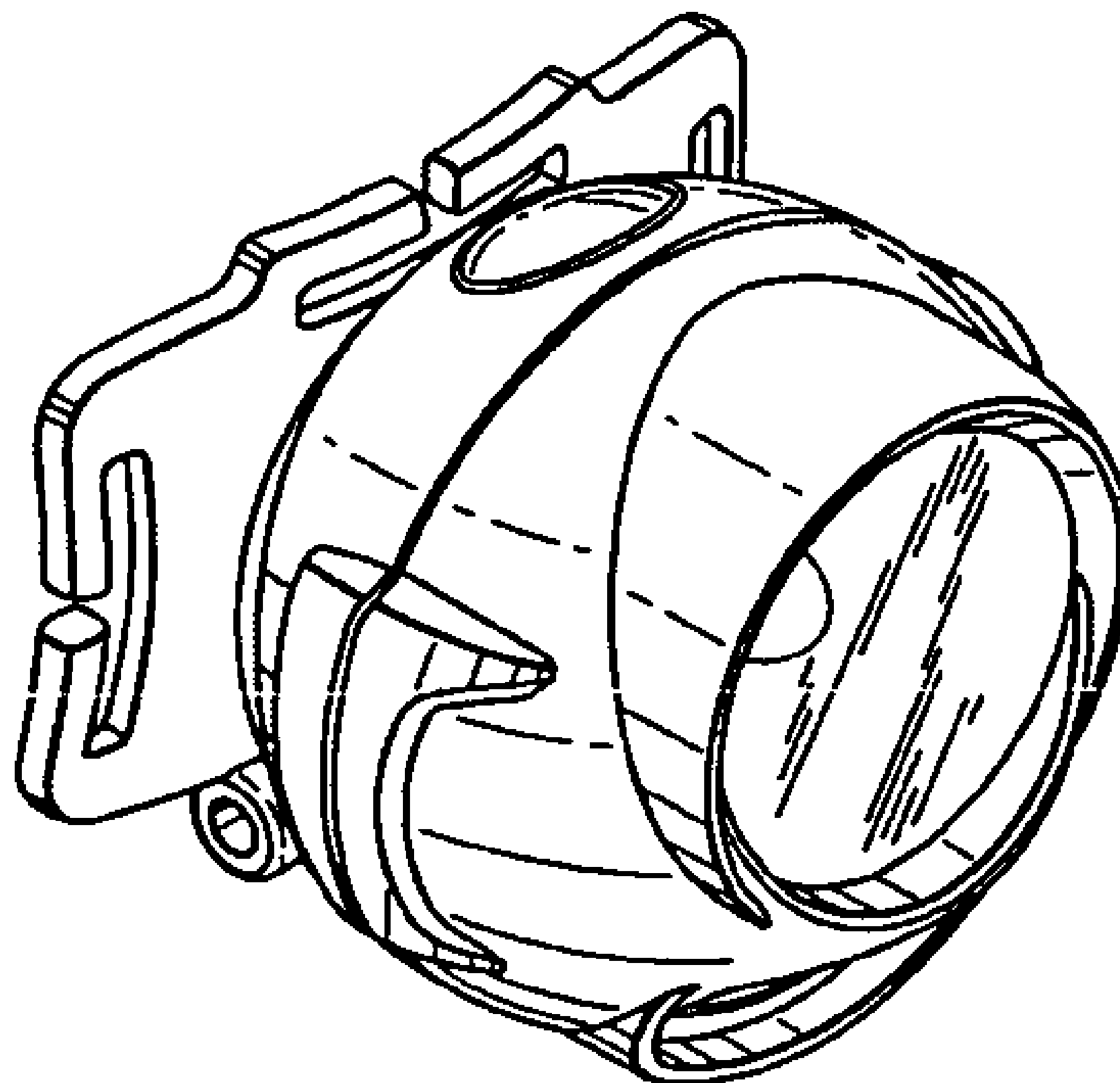
FIG. 7 is a perspective view of the headlight.

(56) **References Cited**

**U.S. PATENT DOCUMENTS**

D477,680 S \* 7/2003 Petzl ..... D26/39  
D482,811 S \* 11/2003 Petzl ..... D26/39  
D520,656 S \* 5/2006 Shiu ..... D26/28  
D528,239 S \* 9/2006 Petzl ..... D26/39

**1 Claim, 1 Drawing Sheet**



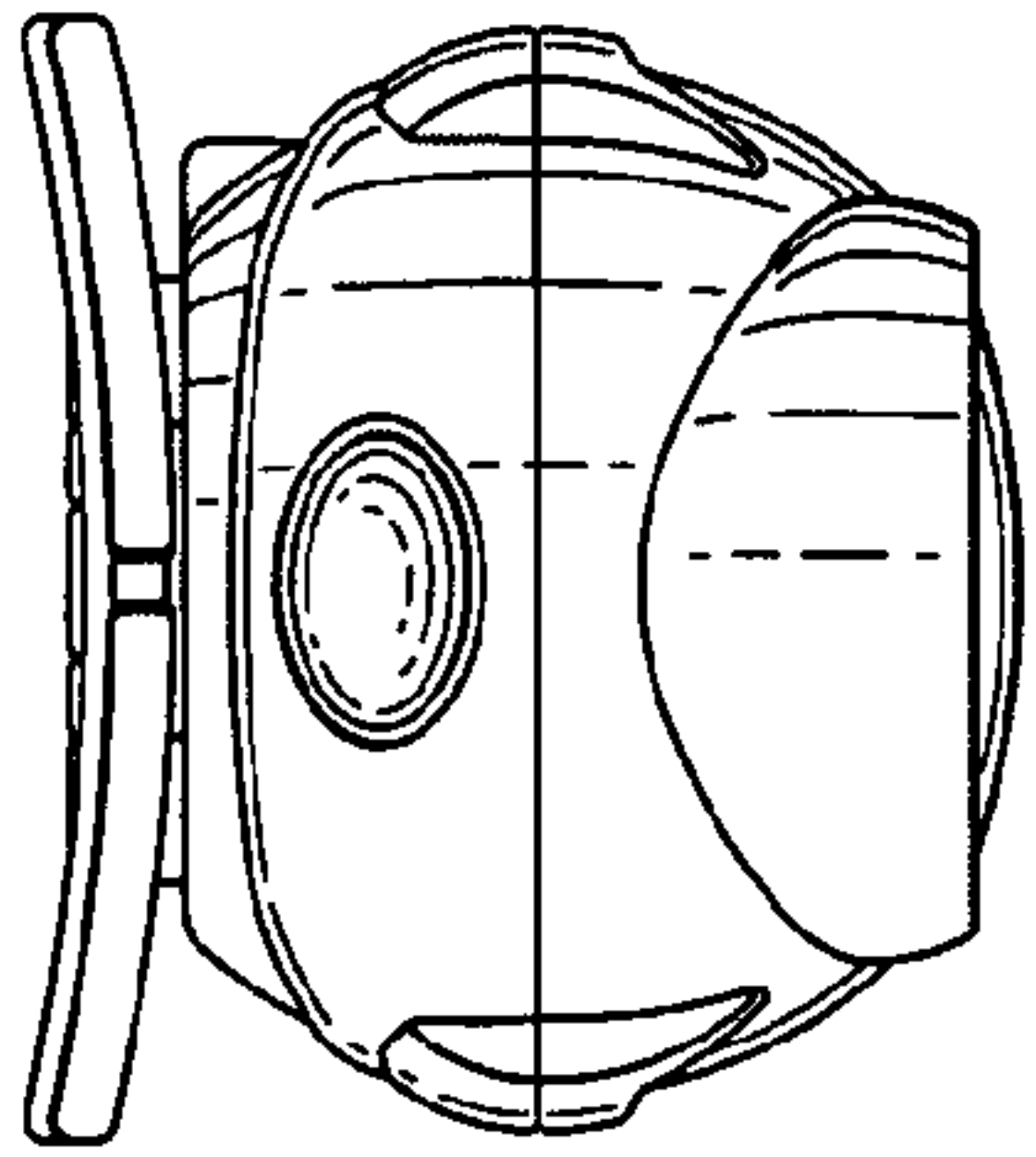


FIG. 1

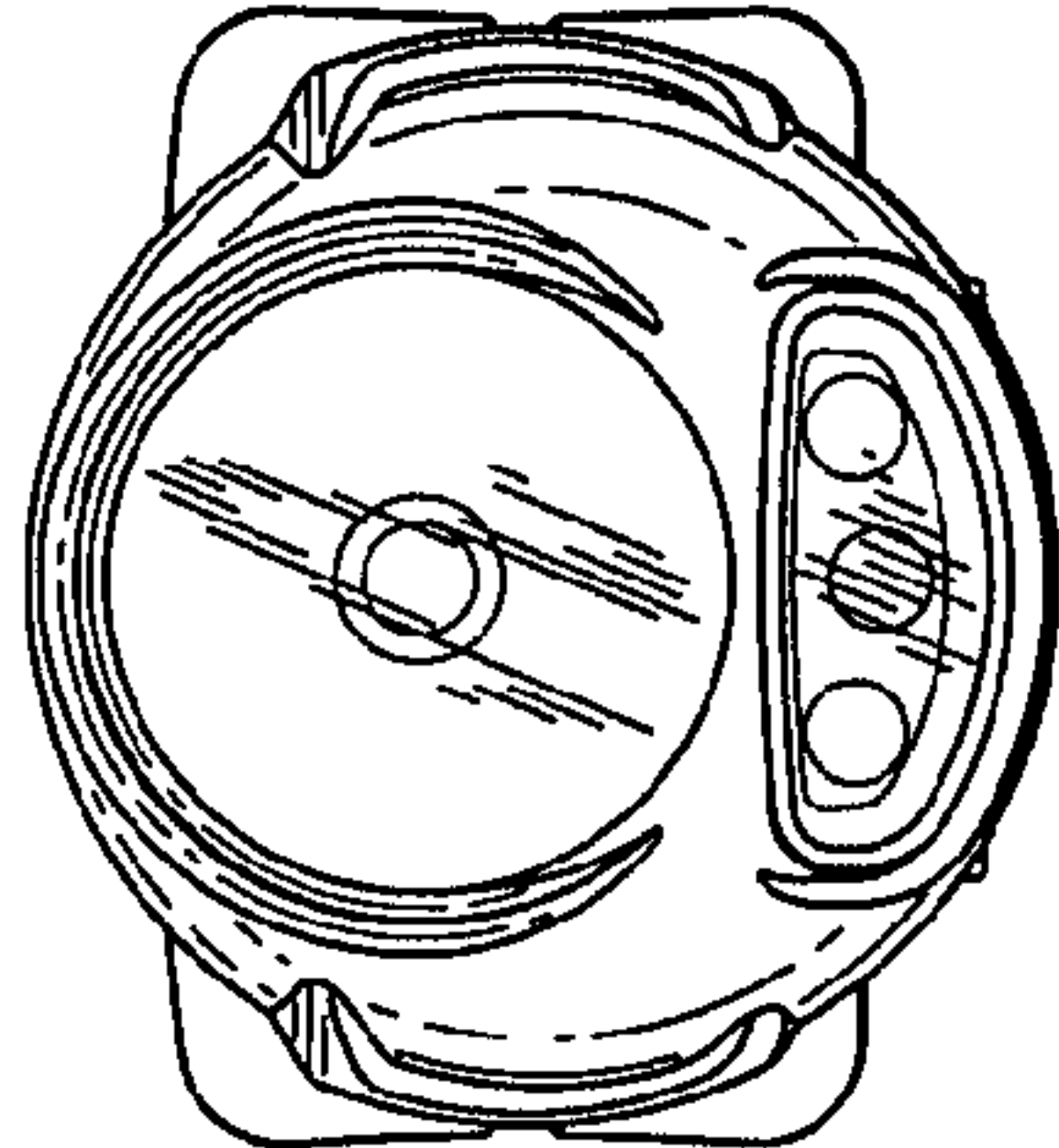


FIG. 2

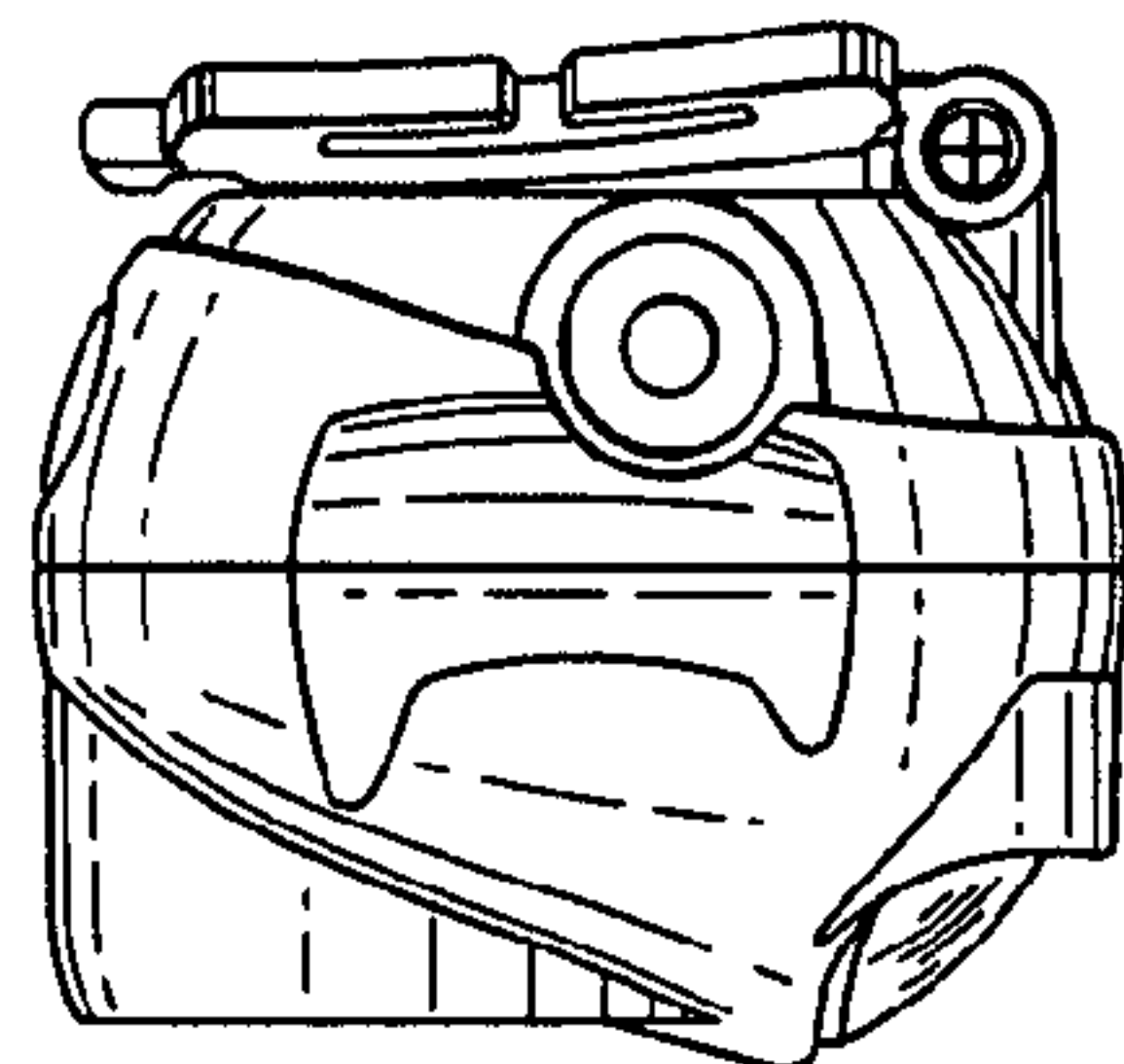


FIG. 5

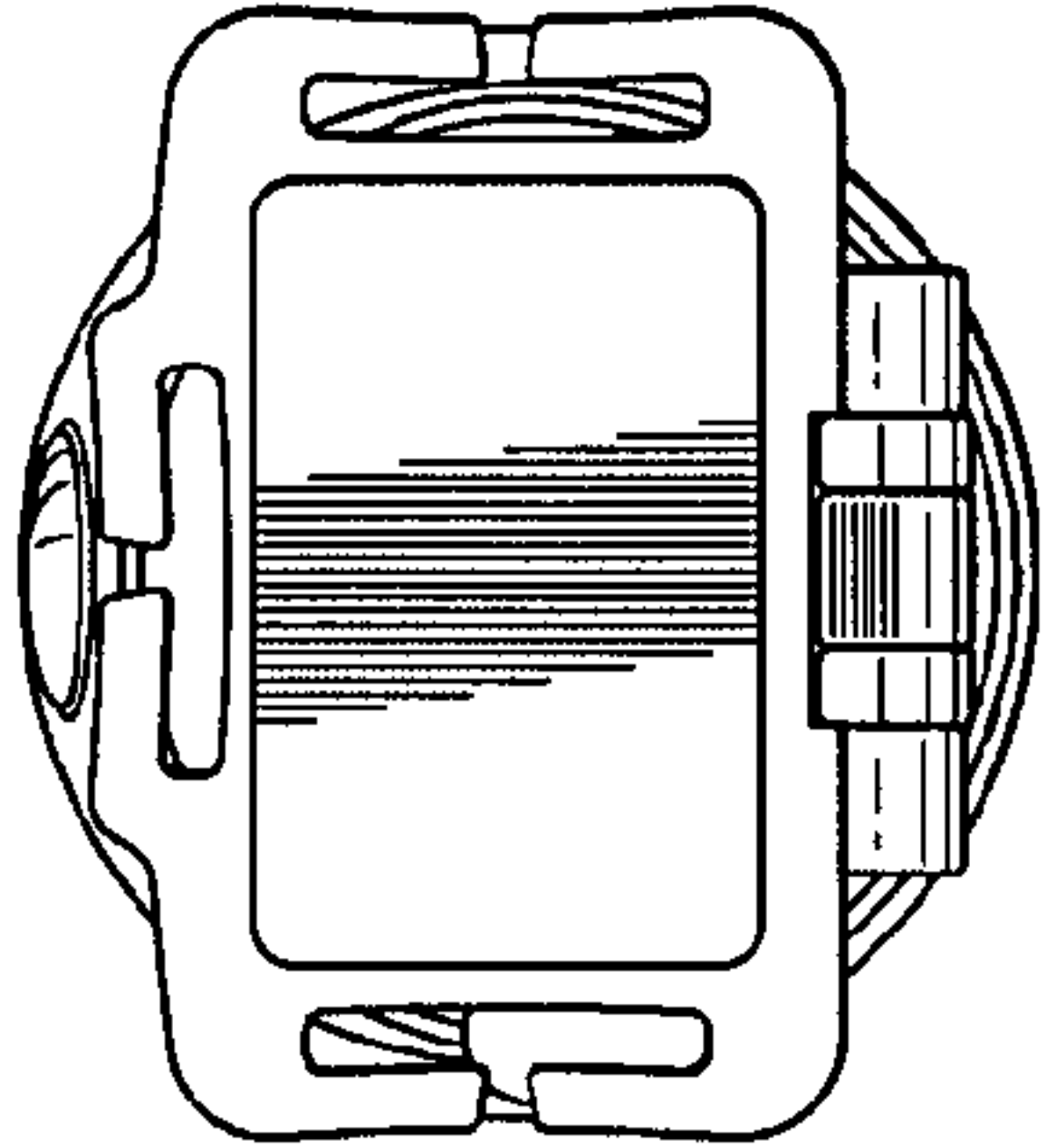


FIG. 4

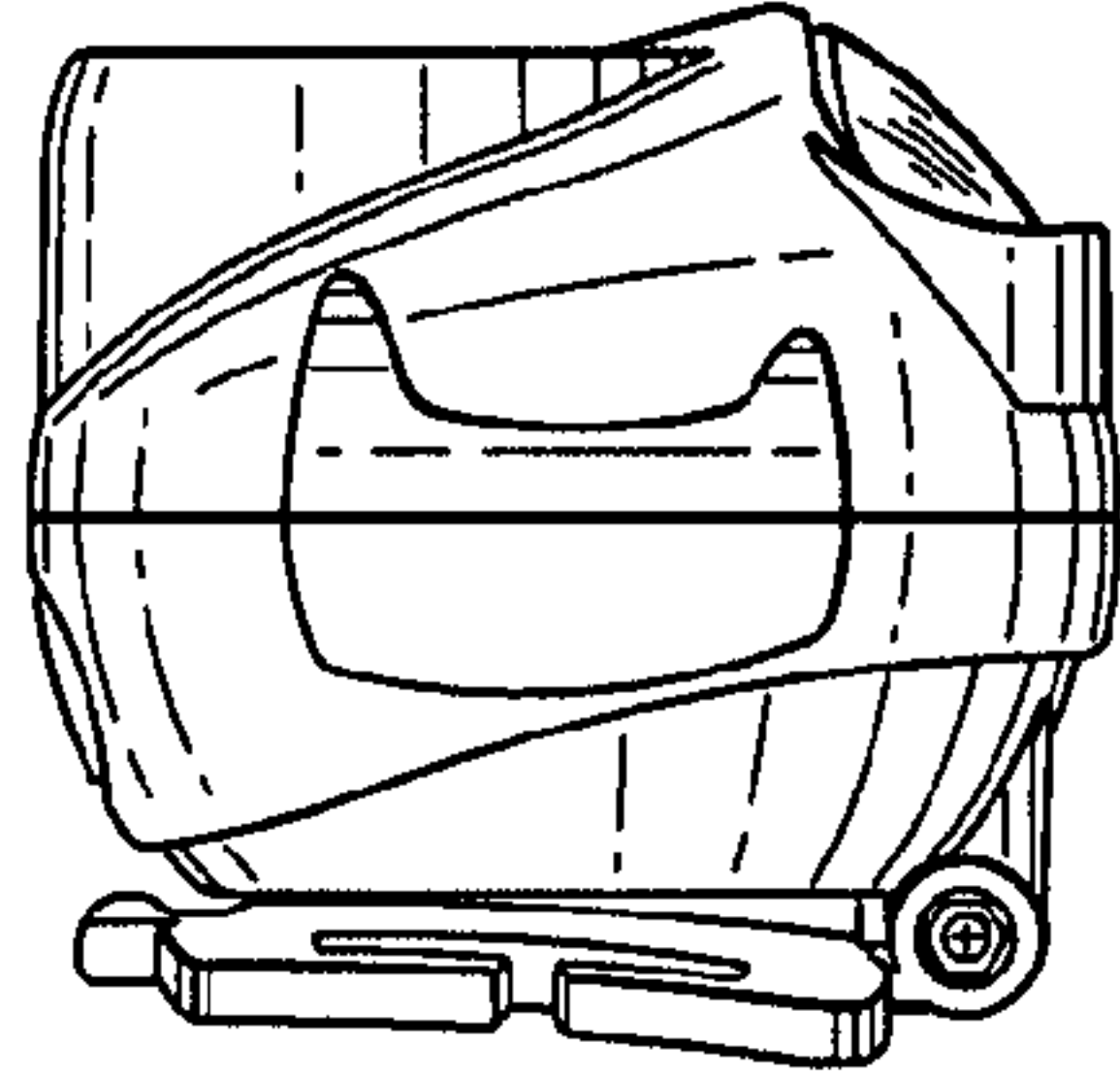


FIG. 6

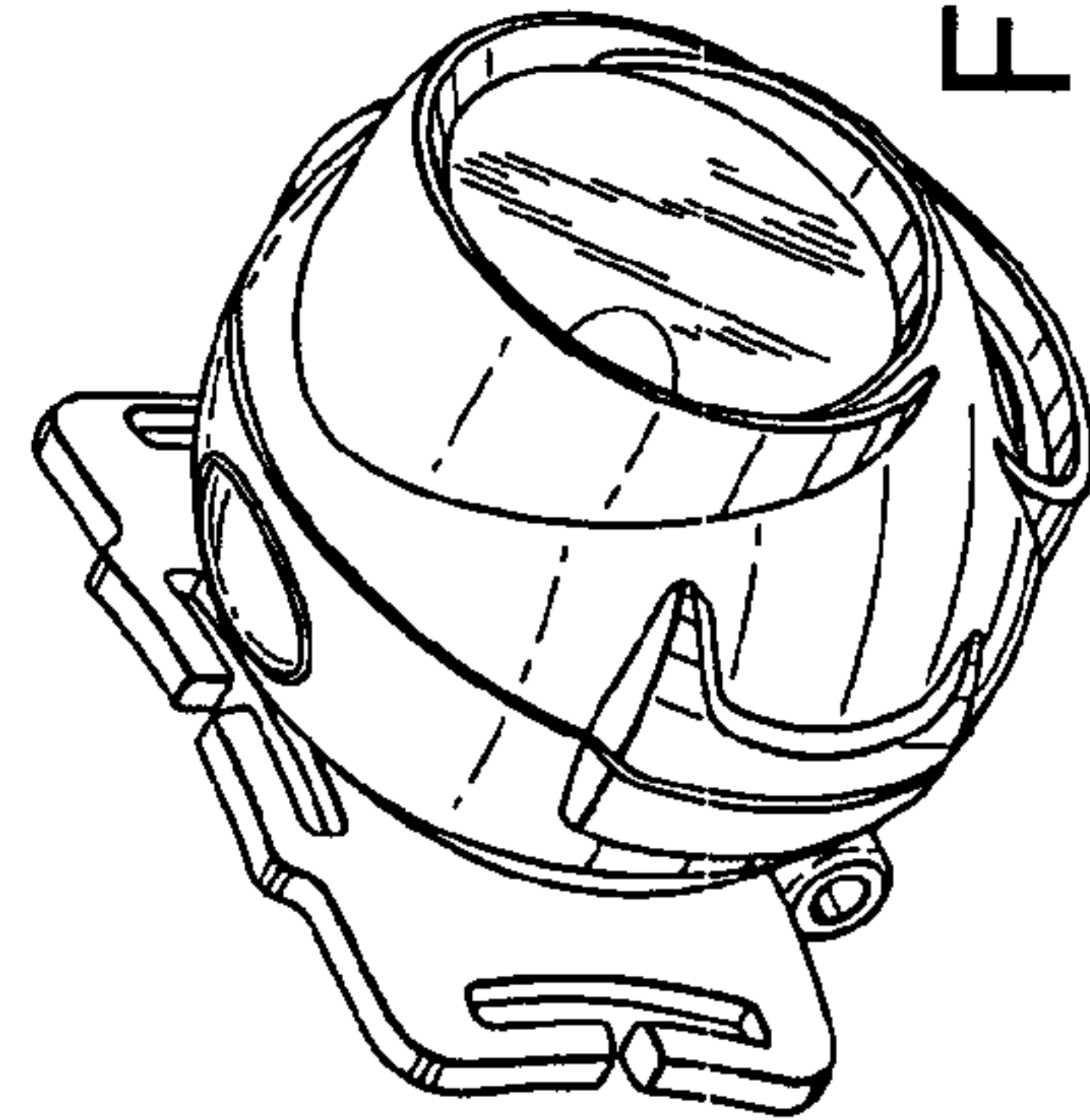


FIG. 7

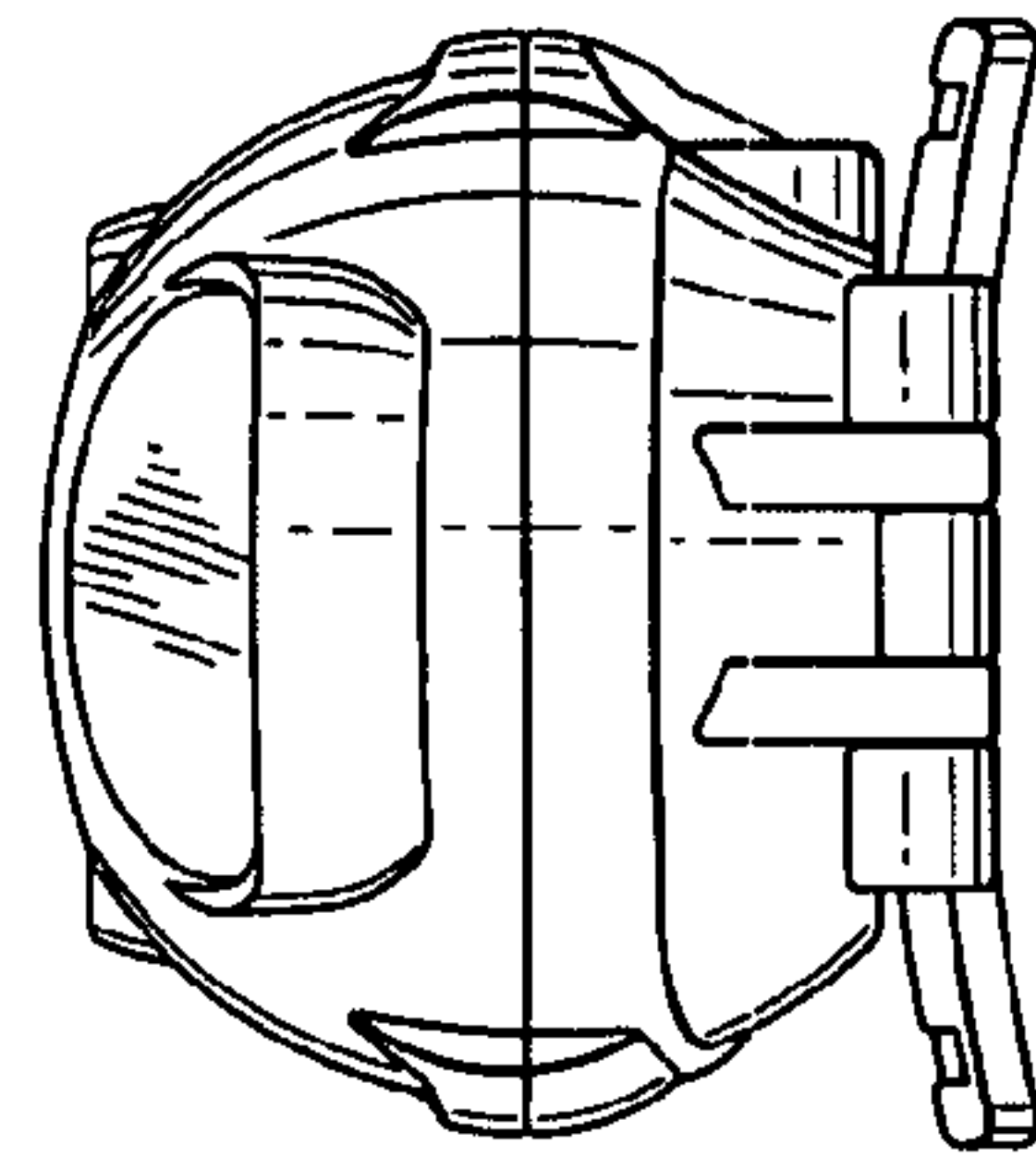


FIG. 3