

US00D568508S

(12) **United States Design Patent** (10) **Patent No.:** **US D568,508 S**  
**Howe et al.** (45) **Date of Patent:** **\*\* May 6, 2008**

(54) **TACTICAL FLASHLIGHT**  
(75) Inventors: **Alan T. Howe**, Merrimack, NH (US);  
**Timothy R. Loring**, Bedford, NH  
(US); **Christopher P. Levesque**,  
Francestown, NH (US); **Eric Yeates**,  
Virginia Beach, VA (US)

(73) Assignee: **Insight Technology, Inc.**, Londonderry,  
NH (US)

(\*\*) Term: **14 Years**

(21) Appl. No.: **29/253,490**

(22) Filed: **Feb. 7, 2006**

(51) **LOC (8) Cl.** ..... **26-02**  
(52) **U.S. Cl.** ..... **D26/38**  
(58) **Field of Classification Search** ..... D26/37,  
D26/38, 40, 42, 46, 47, 50, 51, 52, 60, 130,  
D26/132, 133, 136; 362/183, 157, 158, 190,  
362/191, 194, 195, 208, 110, 109, 113; D22/108-110,  
D22/100, 103; D16/120, 132, 133, 136;  
42/85, 127, 146

See application file for complete search history.

(56) **References Cited**

U.S. PATENT DOCUMENTS

4,468,101 A	8/1984	Ellis	
4,653,879 A	3/1987	Filipovich	
4,915,487 A	4/1990	Riddell	
5,079,416 A	1/1992	Filipovich	
5,229,598 A	7/1993	Filipovich	
5,254,852 A	10/1993	Filipovich	
5,416,315 A	5/1995	Filipovich	
D365,858 S *	1/1996	Tomita	..... D22/109
5,943,174 A	8/1999	Bryant	
6,061,182 A	5/2000	Carmeli	
6,081,094 A	6/2000	Crehshaw	
6,201,641 B1	3/2001	Filipovich	
6,219,250 B1	4/2001	Palmer	
6,288,386 B1	9/2001	Bowen	
6,456,497 B1	9/2002	Palmer	
6,462,867 B2	10/2002	Choinere	

6,462,894 B1	10/2002	Moody	
6,469,828 B2	10/2002	Plotsker	
6,493,137 B1	12/2002	Solinsky	
6,560,029 B1	5/2003	Dobbie	
6,574,901 B1 *	6/2003	Solinsky et al.	..... 42/146
6,609,810 B2 *	8/2003	Kim	..... 362/110
6,662,370 B1	12/2003	Buchanan	
6,687,053 B1	2/2004	Holmes	
6,788,459 B2	9/2004	Holmes et al.	
7,117,624 B2 *	10/2006	Kim	..... 42/85
D542,446 S *	5/2007	DiCarlo et al.	..... D26/38
D548,385 S *	8/2007	Sharrah et al.	..... D26/60
7,260,912 B2 *	8/2007	Liu	..... 42/127
2003/0133286 A1 *	7/2003	Kim	..... 362/110
2004/0068913 A1 *	4/2004	Solinsky et al.	..... 42/146

OTHER PUBLICATIONS

Insight Technology. 2005 Brochure, 44 Pages. Copyright 2005.  
Insight Technology. 2005 Brochure (Part 1), 12 Pages. Copyright  
2005 Previously sent at PTOSBO8a1 as #31 on Jun. 6, 2006,  
additional copy being sent to potentially improve readability.

(Continued)

*Primary Examiner*—Charles A. Rademaker  
*Assistant Examiner*—Carissa C Fitts

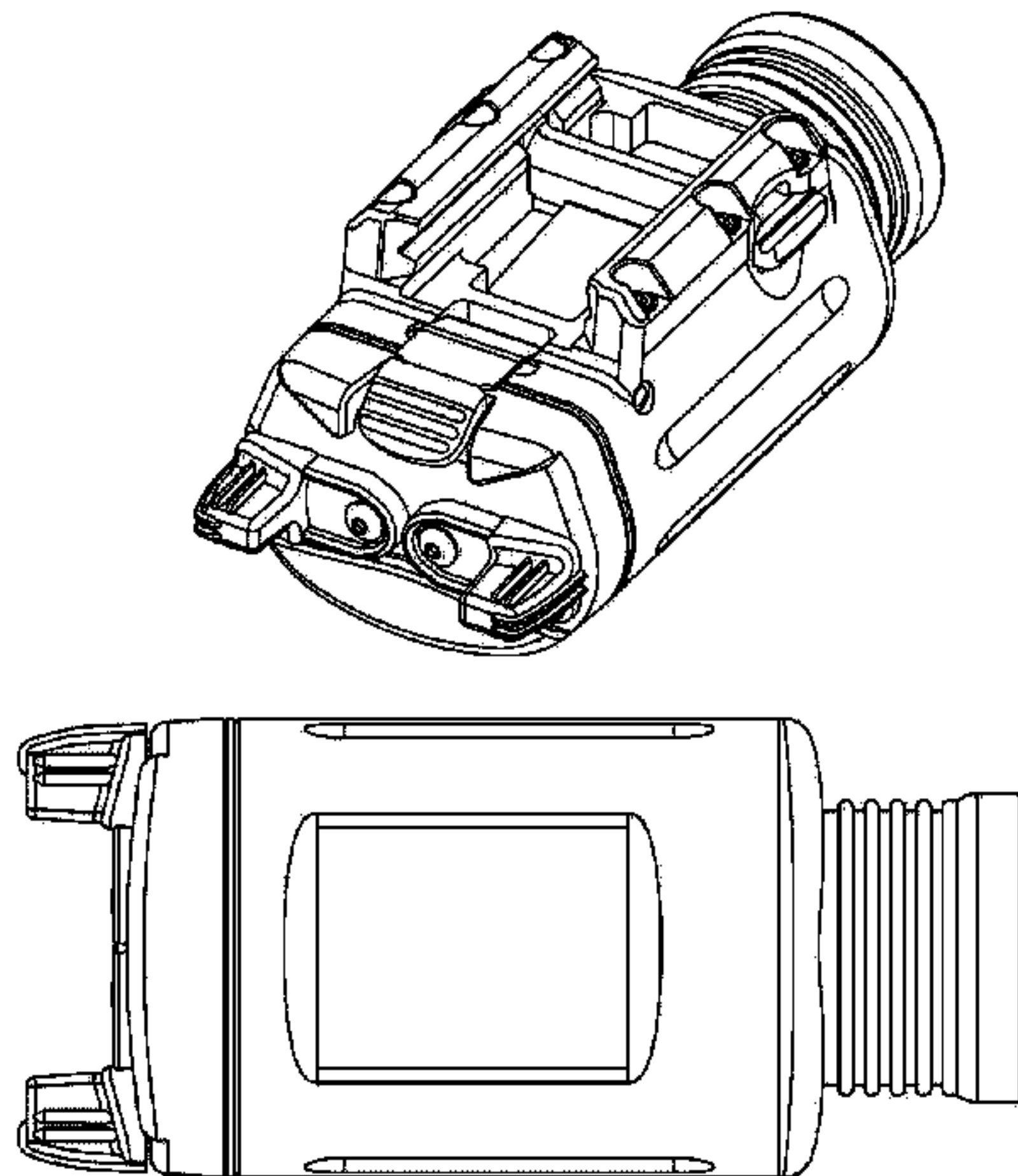
(57) **CLAIM**

The ornamental design for a tactical flashlight, as shown and  
described.

**DESCRIPTION**

FIG. 1 is a first perspective view of a second tactical  
flashlight of the present invention;  
FIG. 2 is a second perspective view of the tactical flashlight  
of FIG. 1;  
FIG. 3 is a front view of the tactical flashlight of FIG. 1;  
FIG. 4 is a rear view of the tactical flashlight of FIG. 1;  
FIG. 5 is a right side view of the tactical flashlight of FIG.  
1;  
FIG. 6 is a left side view of the tactical flashlight of FIG. 1;  
FIG. 7 is a top view of the tactical flashlight of FIG. 1; and,  
FIG. 8 is a bottom view of the tactical flashlight of FIG. 1.

**1 Claim, 4 Drawing Sheets**





## OTHER PUBLICATIONS

- Insight Technology. 2005 Brochure (Part 2), 11 Pages. Copyright 2005 Previously sent at PTOSBO8a1 as #31 on Jun. 6, 2006, additional copy being sent to potentially improve readability.
- Insight Technology, Inc. U.S. Military AN/PVS-7D Night Vision Goggles. 2 pages. Copyright 2002. (pp. 1-2 of 100).
- Insight Technology, Inc. U.S. Military TS-4348/UV, Night Vision Device Test Set. 2 pages. Copyright 1998. (pp. 3-4 of 100).
- Insight Technology, Inc. Multi-use Mini-Monocular. 2 pages. Copyright 2003. (pp. 5-6 of 100).
- Insight Technology, Inc. Thermal Goggle System TGS-1000. 2 pages. Copyright 1998. (pp. 7-8 of 100).
- Insight Technology, Inc. Close-Quarter Battle Sight Short Range CQB-001C. 2 pages. Copyright 2004. Believed by applicant to be representative of prior art. (pp. 9-10 of 100).
- Photograph of Insight Technology, Inc. product CNVD. 1 page. Believed by applicant to be representative of prior art. (pp. 11 of 100).
- Photograph of Insight Technology, Inc. product OFG. 1 page. Believed by applicant to be representative of prior art (pp. 12 of 100).
- Photograph of Insight Technology, Inc. product PNVG. 1 page. Believed by applicant to be representative of prior art. (p. 13 of 100).
- Insight Technology, Inc. Laser Aiming Module (LAM) AN/PEQ-6. 2 pages. Copyright 1997. (pp. 22-23 of 100).
- Insight Technology, Inc. M30 Boresighting Equipment 2 pages. Copyright 1998 (pp. 26-27 of 100).
- Photograph of Insight Technology, Inc. product ENVG, Phase 2 Believed by Applicant to be representative of prior art. (pp. 28-30 of 100).
- Insight Technology, Inc. AN/TVS-5 Advanced Crew-served Weapon Sight (ACSWS). 2 pages. Copyright 2000. (pp. 31-32 of 100).
- Insight Technology, Inc. Medium Powered Laser Illuminator (MPLI) High Powered laser Illuminator (HPLI) AN/PEQ-4. 2 pages. Copyright 1998. (pp. 35-36 of 100).
- Insight Technology, Inc. U.S. Military AN/PEQ-5 Carbine Visible Laser (CVL). 2 pages. Copyright 1997. (pp. 37-38 of 100).
- Insight Technology, Inc. U.S. Military AN/PEM-1 Laser Borelight System. 2 pages. Copyright 1999. (pp. 39-40 of 100).
- Insight Technology, Inc. U.S. Military AN/PEQ-2 & 2A Infrared Target Pointer/Illuminator/Aiming Laser. NSN: 5855-01-422-5253 & NSN: 5855-01-447-8992. 2 pages. Copyright 1998. (pp. 41-42 of 100).
- Photograph of Insight Technology, Inc. product ENVG, Phase 1 3 pages. Believed by Applicant to be representative of prior art (pp. 43-45 of 100)
- ITT Industries, Binocular Night Vision Goggle, Ground Gen 3, AN/PVS-23 (F5050). 2 pages. Copyright 2004. Believed by Applicant to be representative of prior art. (pp. 46-47 of 100).
- Northrop Grumman, Submersible Binocular Night Vision System (BVNS) AN/PVS-15. 2 pages. Believed by Applicant to be representative of prior art. (pp. 48-49 of 100).
- Northrop Grumman, Submersible Monocular Night Vision System, AN/PVS-18. 2 pages. Believed by Applicant to be representative of prior art. (pp. 50-51 of 100).
- ITT Industries, Monocular Night Vision Device (MNVD) Generation 3, F6015 Series. 2 pages, Copyright 2003. Believed by Applicant to be representative of prior art. (pp. 52-53 of 100)
- Northrop Grumman, Monocular Night Vision Device AN/PVS-14 2 pages. Believed by applicant to be representative of prior art. (pp. 54-55 of 100).
- Nightvisionweb.com, Compact Night Vision Goggles ANVS-3103 2 pages. Copyright 2000-2004 (pp. 56-57 of 100).
- Nightvisionweb.com, PRO Series Night Vision Goggles ANVS-3105 2 pages. Copyright 2000-2004 (pp. 58-59 of 100).
- Nightvisionweb.com, Deluxe Night Vision Goggles ANVS-3107 2 pages. Copyright 2000-2004 (pp. 60-61 of 100).
- Nightvisionweb.com, Night Vision Goggles Night Cougar 1 page. Copyright 2000-2005 (p. 62 of 100).
- Nightvisionweb.com, Night Vision Goggles Viper 2 pages. Copyright 2000-2005 (pp. 63-64 of 100).
- Nightvisionweb.com, Night Vision Goggles Argus w/IR Illuminator 2 pages. Copyright 2000-2004 (pp. 65-66 of 100).
- Nightvisionweb.com, Night Vision Mono Goggles Argus-M w/IR Illuminator, 2 pages. Copyright 2000-2005 (pp. 67-98 of 100).
- Nightvisionweb.com, PVS-7 Night Vision Goggles 2 pages. Copyright 2000-2005 (pp. 69-70 of 100).
- Nightvisionweb.com, Night Quest 5001 2 pages. Copyright 2000-2005 (pp. 71-72 of 100).
- Nightvisionweb.com, NVG7-2/3 Night Vision Goggle 2 pages. Copyright 2000-2005 (pp. 73-74 of 100).
- Nightvisionweb.com, Gen 2+ /3 Night Vision Goggles D-221G/321G 2 pages. Copyright 2000-2005 (pp. 75-76 of 100).
- Nightvisionweb.com, NVG7-2/3 Night Vision Goggle 2 pages. Copyright 2000-2005 (pp. 77-78 of 100).
- Nightvisionweb.com, Aurora, high grade compact Night vision Scope w/IR. 1 page. Copyright 2002-2005 (p. 79 of 100).
- Nightvisionweb.com, Budget Night Vision Scope NZT-1 1 page. Copyright 2000-2005 (p. 80 of 100).
- Nightvisionweb.com, Helios 101, high grade night Vision Scope w/IR 1 page. Copyright 2000-2005 (p. 81 of 100).
- Nightvisionweb.com, Multitask Night Vision Scope. Model NVMT 2x24. 2 pages. Copyright 2000-2005 (pp. 82-83 of 100).
- Nightvisionweb.com, PRO Night Vision monocular Dipol-111 w/IR Illuminator 2 pages. Copyright 2000-2005 (pp. 84-85 of 100).
- Nightvisionweb.com, Multitask Night Vision Scope, Model NVMT 3x42. 2 pages. Copyright 2000-2005 (pp. 86-87 of 100).
- Nightvisionweb.com, Helios 112, waterproof Night Vision Scope w/IR 1 page. Copyright 2000-2005 (pp. 88 of 100).
- Nightvisionweb.com, Long Range Vision monocular Argus-M4 w/IR Illum. 2 pages. Copyright 2000-2005 (pp. 89-90 of 100).
- Nightvisionweb.com, Night Storm, Waterproof Night Vision Scope 2 pages. Copyright 2000-2005 (pp. 91-92 of 100).
- Nightvisionweb.com, High Grade Night Vision Scope MO2-1 2 pages. Copyright 2000-2005 (pp. 93-94 of 100).
- Nightvisionweb.com, Multitask Gen 2+ Night Vision Scope Model NVMT 2x24 G2 2 pages. Copyright 2000-2005 (pp. 95-96 of 100).
- Nightvisionweb.com, Night Vision Monocular PS-14 2 pages. Copyright 2000-2005 (pp. 97-98 of 100).
- Nightvisionweb.com, Night Quest 6010, Night Quest 6015, Night Quest PVS-14 2 pages. Copyright 2000-2005 (pp. 99-100 of 100).
- Nightvisionweb.com, Tactical Night Vision Scope ANVS-1344/Mini Monocular 2 pages. Copyright 2000-2005 (pp. 1-2 of 53).
- Nightvisionweb.com, Night Storm, Waterproof Night Vision Scope 2 pages. Copyright 2000-2005 (pp. 3-4 of 53).
- Nightvisionweb.com, MO-4X series Night Vision Scopes 2 pages. Copyright 2000-2005 (pp. 5-6 of 53).
- Nightvisionweb.com, Night Vision Monocular ANVS-1330 2 pages. Copyright 2000-2005 (pp. 7-8 of 53).
- Insight Technology Inc. Commander's Thermal Monocular CTM Believed by Applicant to be representative of prior art. (pp. 9-10 of 53).
- Insight Technology Inc. Hand Held IR Pointer (HHP) 1 page. Copyright 1998 (p. 11 of 53).
- Insight Technology Inc. Clip-On LED Low Intensity Tactical Illuminator 1 page. Believed by Applicant to be representative of prior art. (p. 12 of 53).
- Insight Technology Inc. AN/PEQ-4 Medium Power Laser Illuminator (MPLI) 2 pages. Believed by Applicant to be representative of prior art. (pp. 13-14 of 53).
- Insight Technology Inc. Laser Aiming Module (LAM) AN/PEQ-6 2 pages. Copyright 1997 (pp. 15-16 of 53).
- Insight Technology Inc. Advanced Magnified Optic (AMO) Red Dot Sight with VIS/IR Lasers 2 pages. Believed by Applicant to be representative of prior art. (pp. 17-18 of 53).
- Insight Technology Inc. The Illuminator 2 pages. Copyright 1999 (pp. 19-20 of 53).
- Insight Technology. AN/PEQ-2A Pattern Generators 1 page. Believed by Applicant to be representative of prior art. (p. 21 of 53).
- Insight Technology. AN/PAQ-4C Infrared Aiming Light 2 pages. Believed by Applicant to be representative of prior art. (pp. 22-23 of 53 ).



Insight Technology. Integrated Pointer/Illuminator Module (IPIM) 2 pages. Copyright 1998 (pp. 24-25 of 53).

Insight Technology. Advanced Target Pointer/Illuminator/Aiming Laser, LA-5/PEQ (ATPIAL) 2 pages. Believed by Applicant to be representative of prior art (pp. 26-27 of 53).

Insight Technology. AN/PEQ-5 Carbine IR Laser (CIL) 2 pages. Believed by Applicant to be representative of prior art. (pp. 28-29 of 53).

Insight Technology. AN/PEQ-5 Carbine Visible Laser (CVL) 2 pages. Copyright 1997 (pp. 30-31 of 53).

Insight Technology. Laser Borelight System (LBS) 2 pages. Believed by Applicant to be representative of prior art. (pp. 32-33 of 53).

Insight Technology. AN/PEQ-2 & 2A Infrared Target Pointer/Illuminator/Aiming Laser (ITPIAL) 2 pages. Believed by Applicant to be representative of prior art. (pp. 34-35 of 53).

Insight Technology ACVL Advanced Carbine Visible Laser Ultra Bright Green Laser 1 page. Believed by Applicant to be representative of prior art. (p. 36 of 53).

Insight Technology. ATPIAL-Advanced Target Pointer Illuminator Aiming Laser IR & Visible Pointing IR Illumination 1 page. Believed by Applicant to be representative of prior art. (p. 37 of 53).

Insight Technology. M9X Visible Bright Light 9 volt 230 Lumens 1 page. Believed by Applicant to be representative of prior art. (p. 38 of 53).

Insight Technology. Integrated Sighting Module (ISM), Red Dot Sight with Visible/IR Lasers 2 pages. Believed by Applicant to be representative of prior art. (pp. 39-40 of 53).

Insight Technology. Integrated Sighting Module (ISM), RDS Model 300 Red Dot Sight with IR Lasers 2 pages. Believed by Applicant to be representative of prior art. (pp. 41-42 of 53).

Team Glock: GLOCK Tactical Light (GTL 10) 1 page. Copyright 2005. (p. 43 of 53).

Mako Tactical. GLOCK "Official" Tactical Light & Laser GTL21 4 pages. Copyright 2003. (pp. 44-47 of 53).

Centurion Tactical Systems. Surefire X200 Tactical Light 2 pages. Copyright 2004. (pp. 48-49 of 53).

Laser Devices, Inc. Blast 2 Laser & Tactical Light 1 page. Believed by Applicant to be representative of prior art. (p. 50 of 53).

Knife Outlet. Ombu Z5 Rail Mount Xenon Light 1 page. Believed by Applicant to be representative of prior art. (p. 51 of 53).

Sniper Country PX Web Store. Burris - XT-120 Xtreme Tactical Laser Flashlight 2 pages. Copyright 2004. (pp. 52-53 of 53).

\* cited by examiner

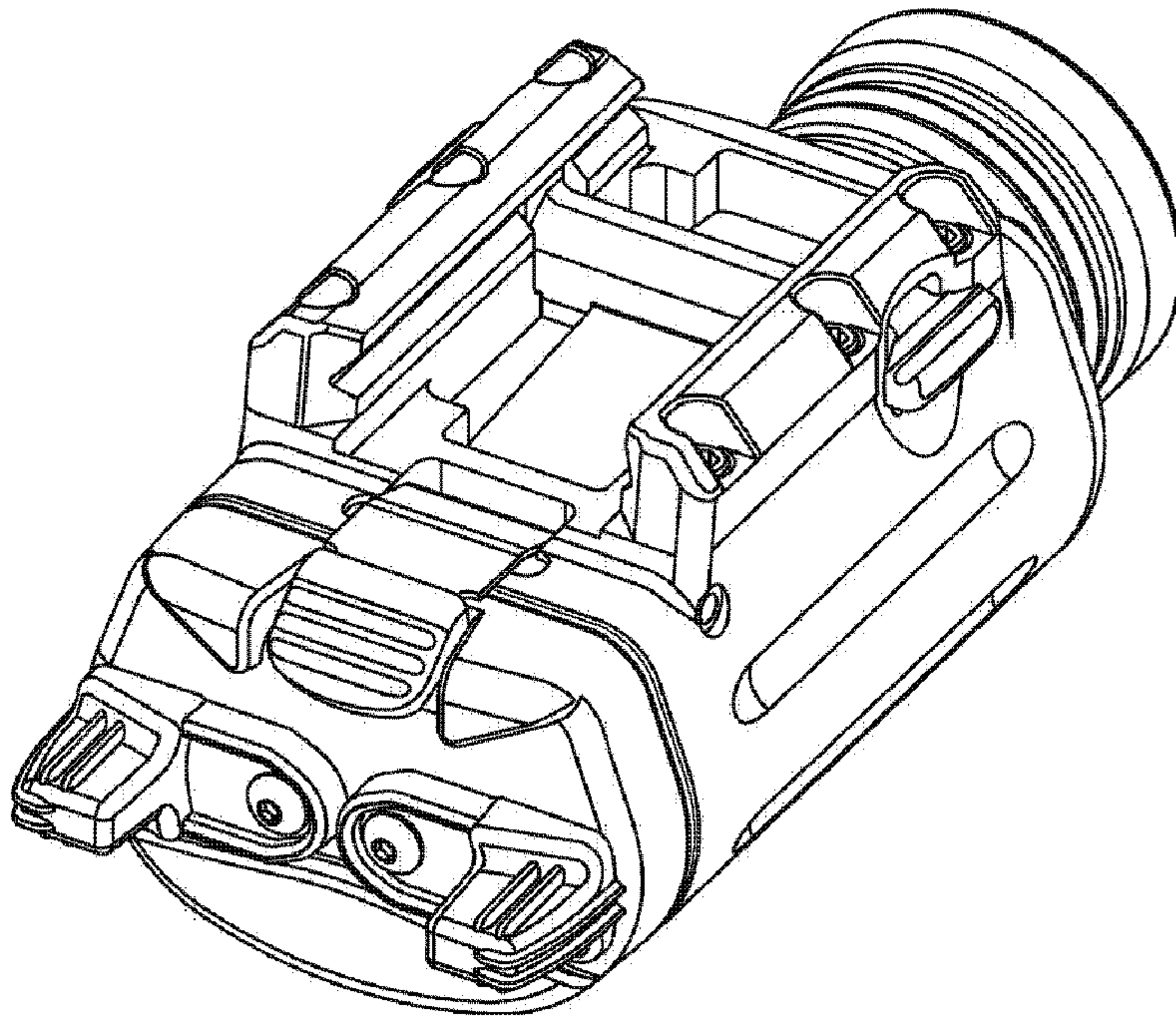


FIGURE 1

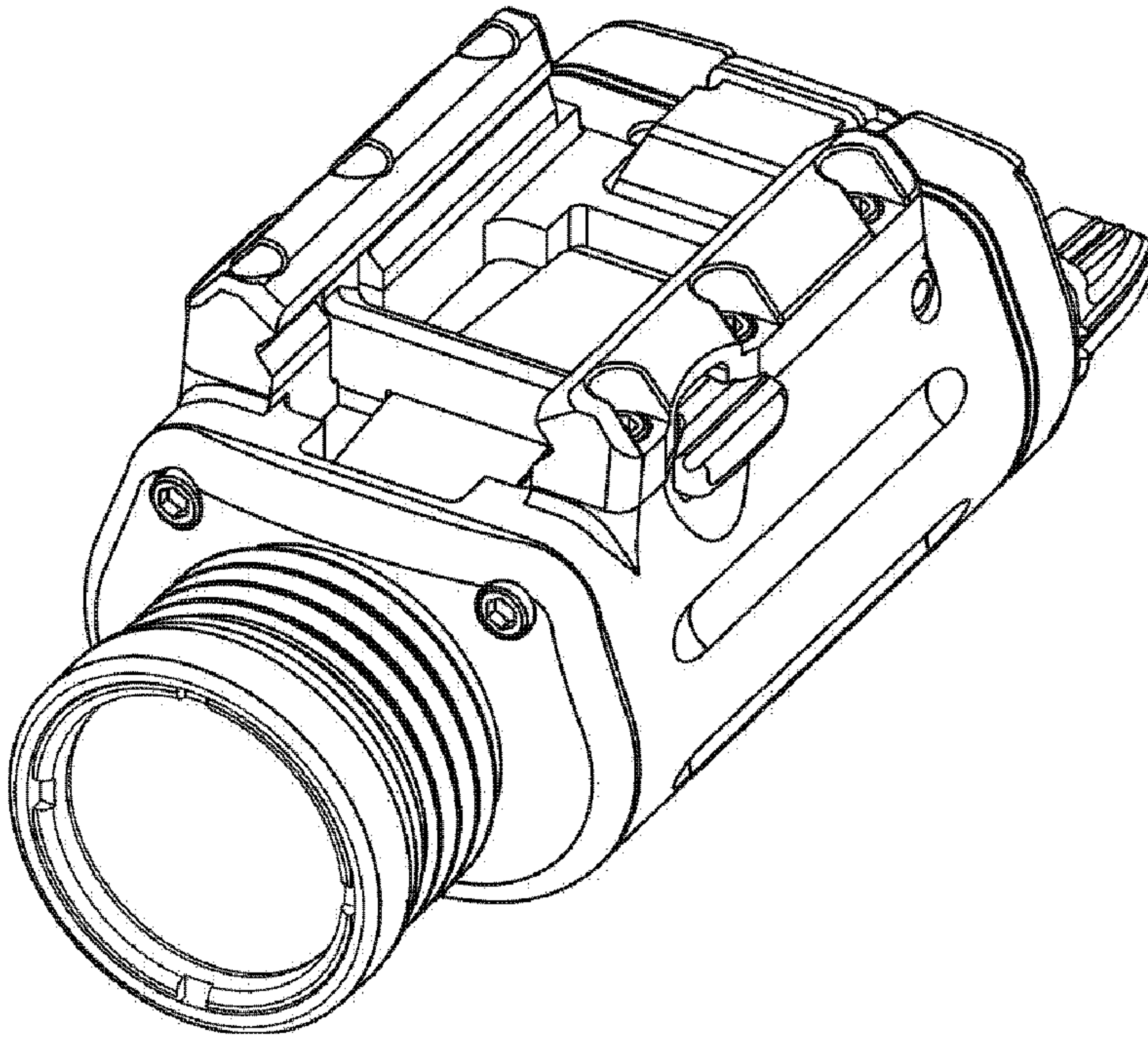


FIGURE 2



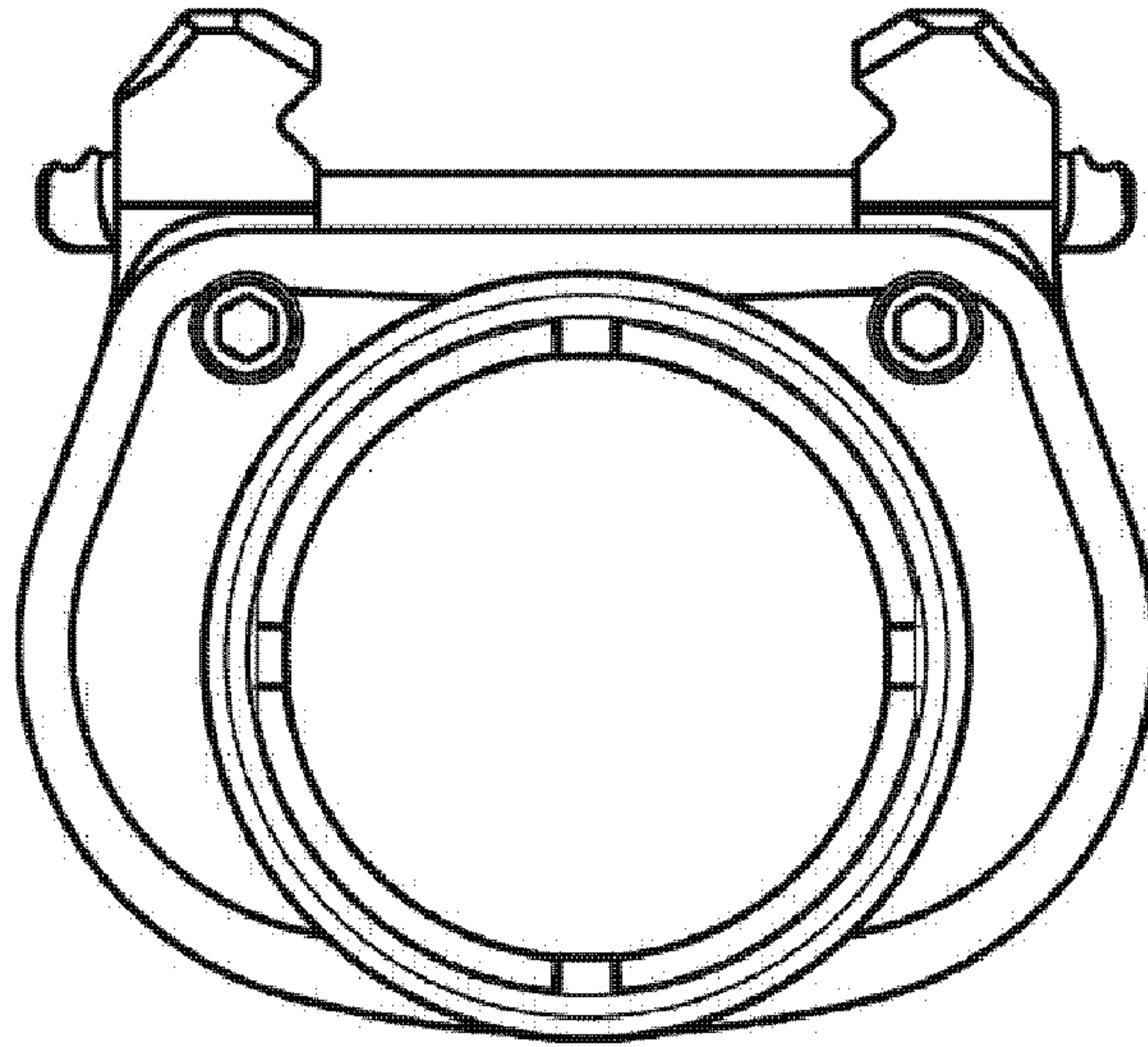


FIGURE 3

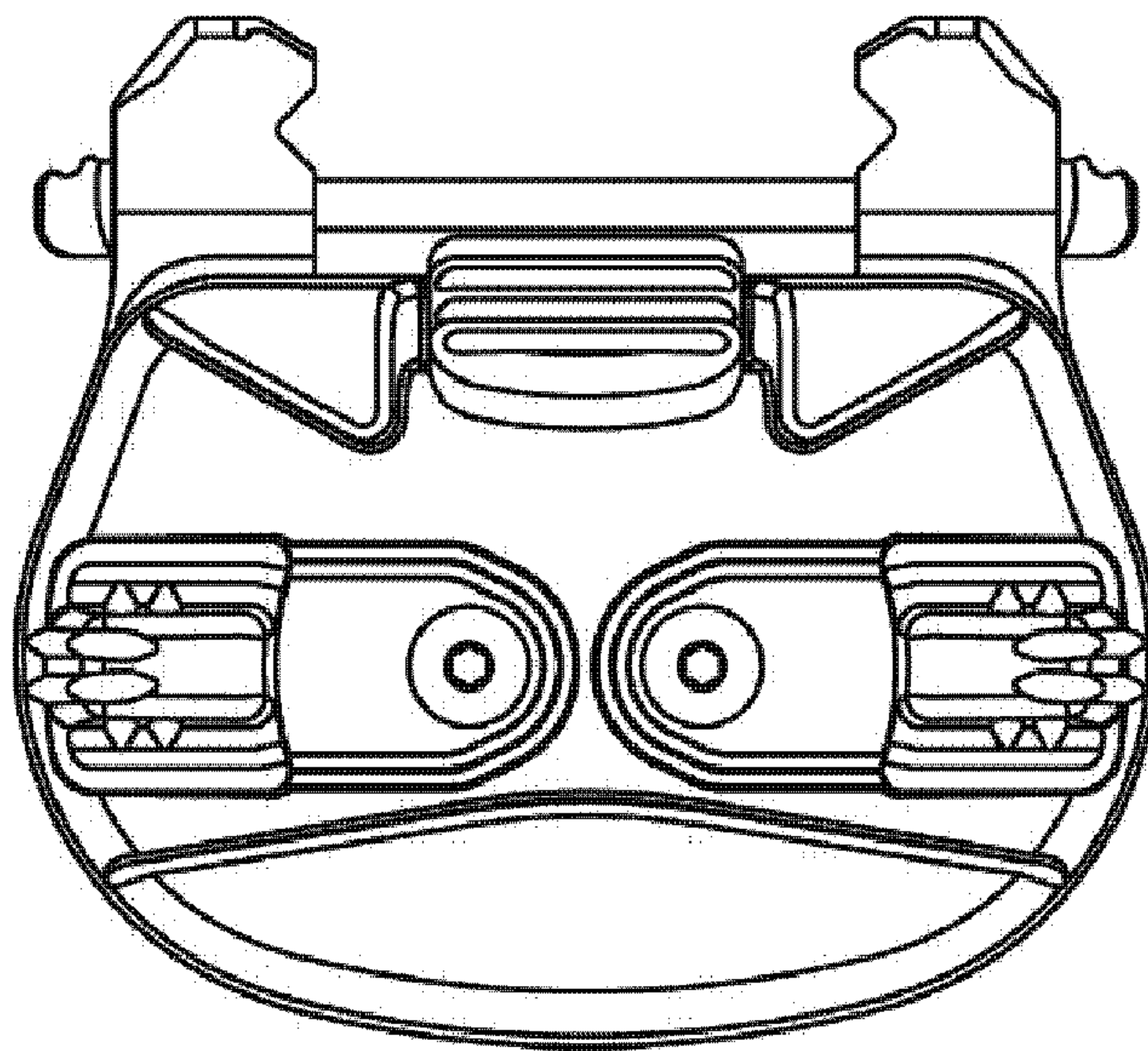


FIGURE 4

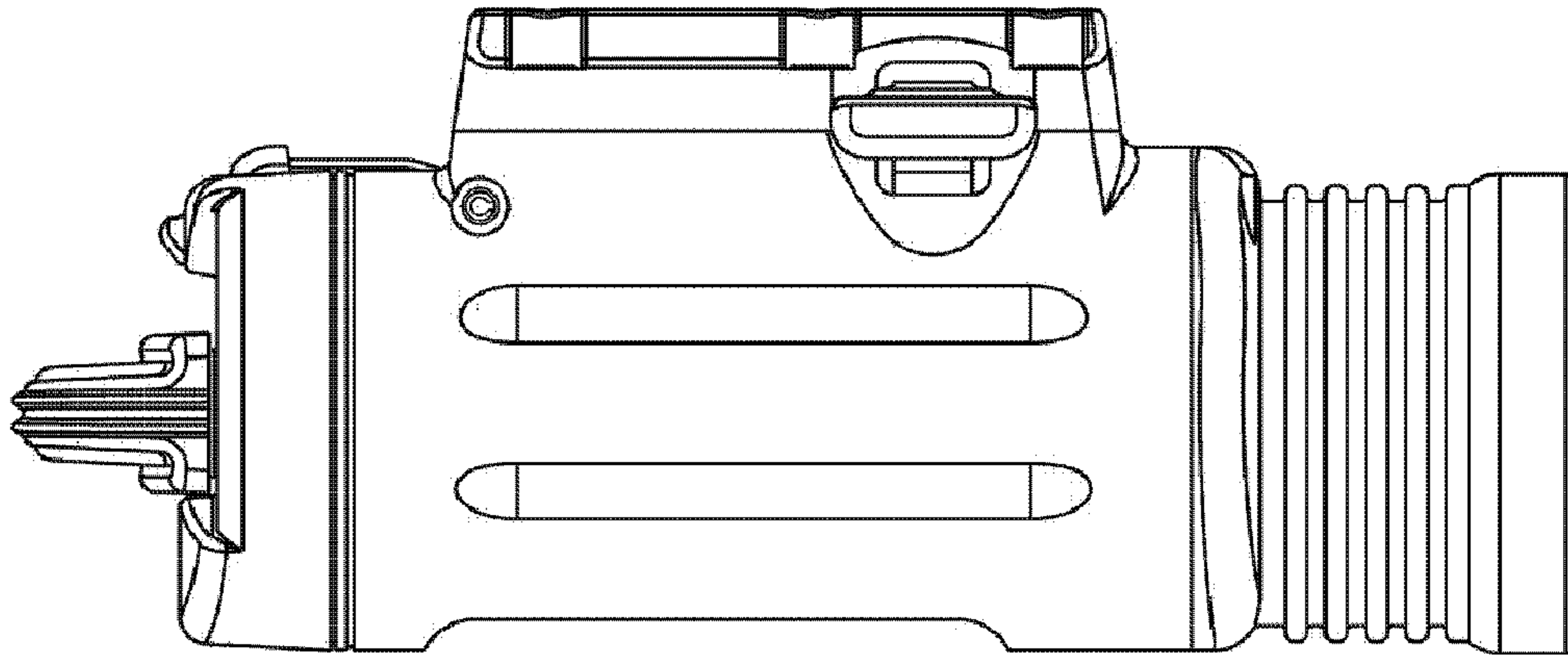


FIGURE 5

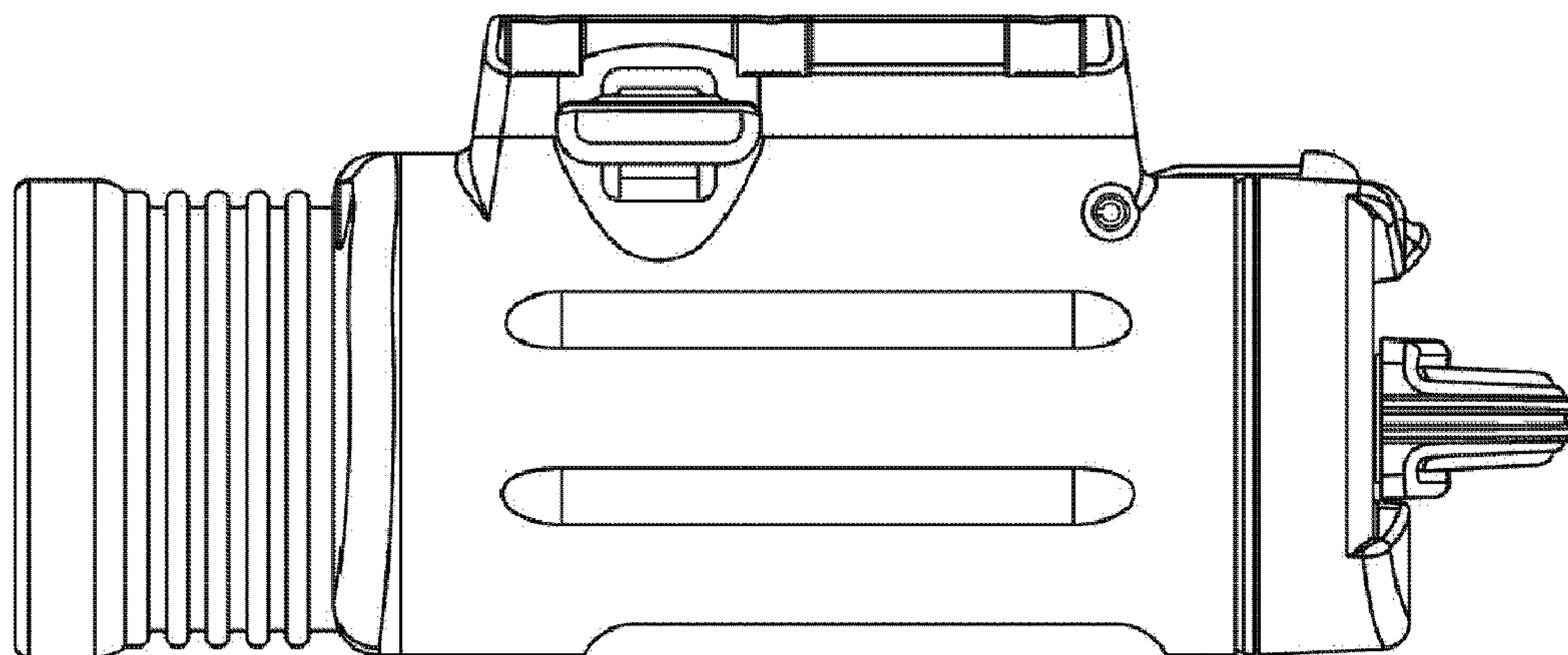


FIGURE 6

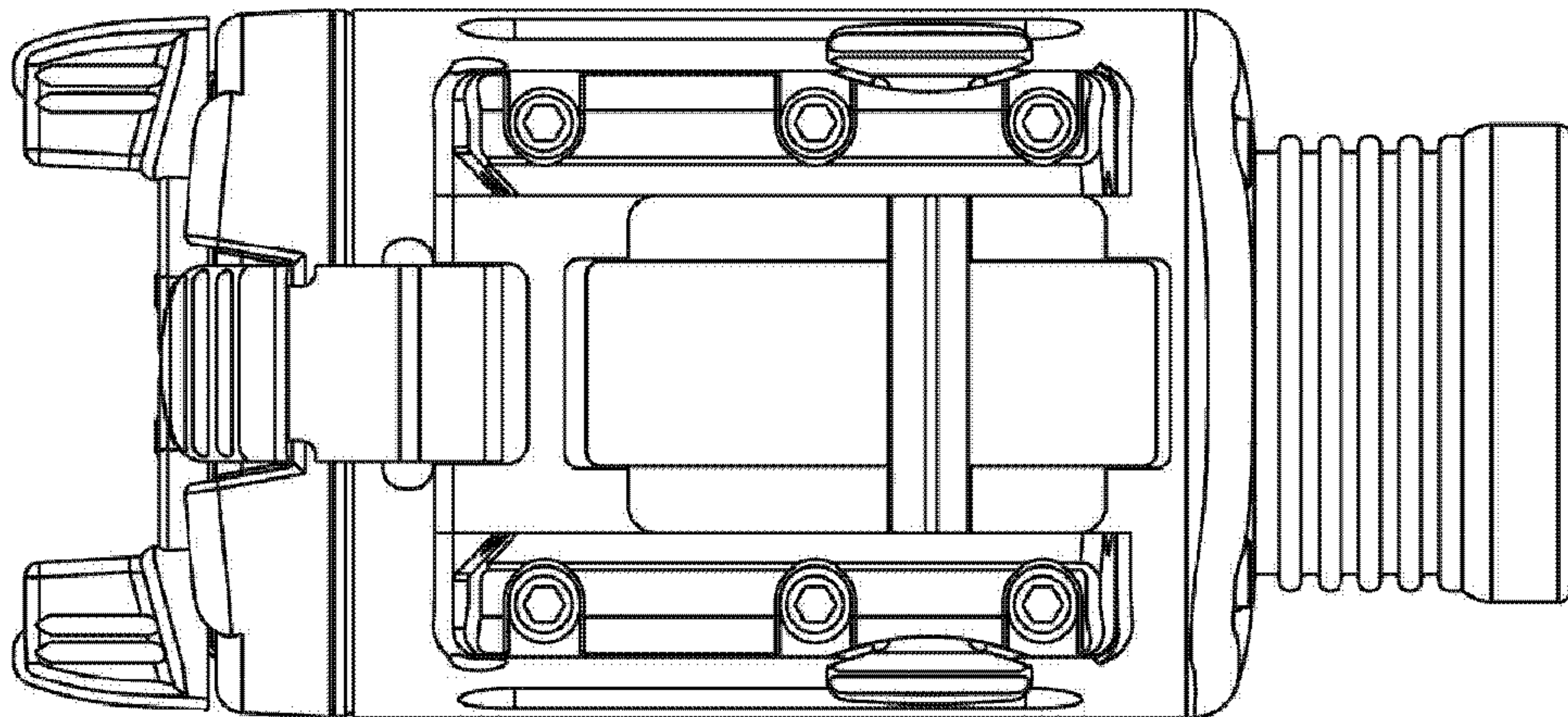


FIGURE 7

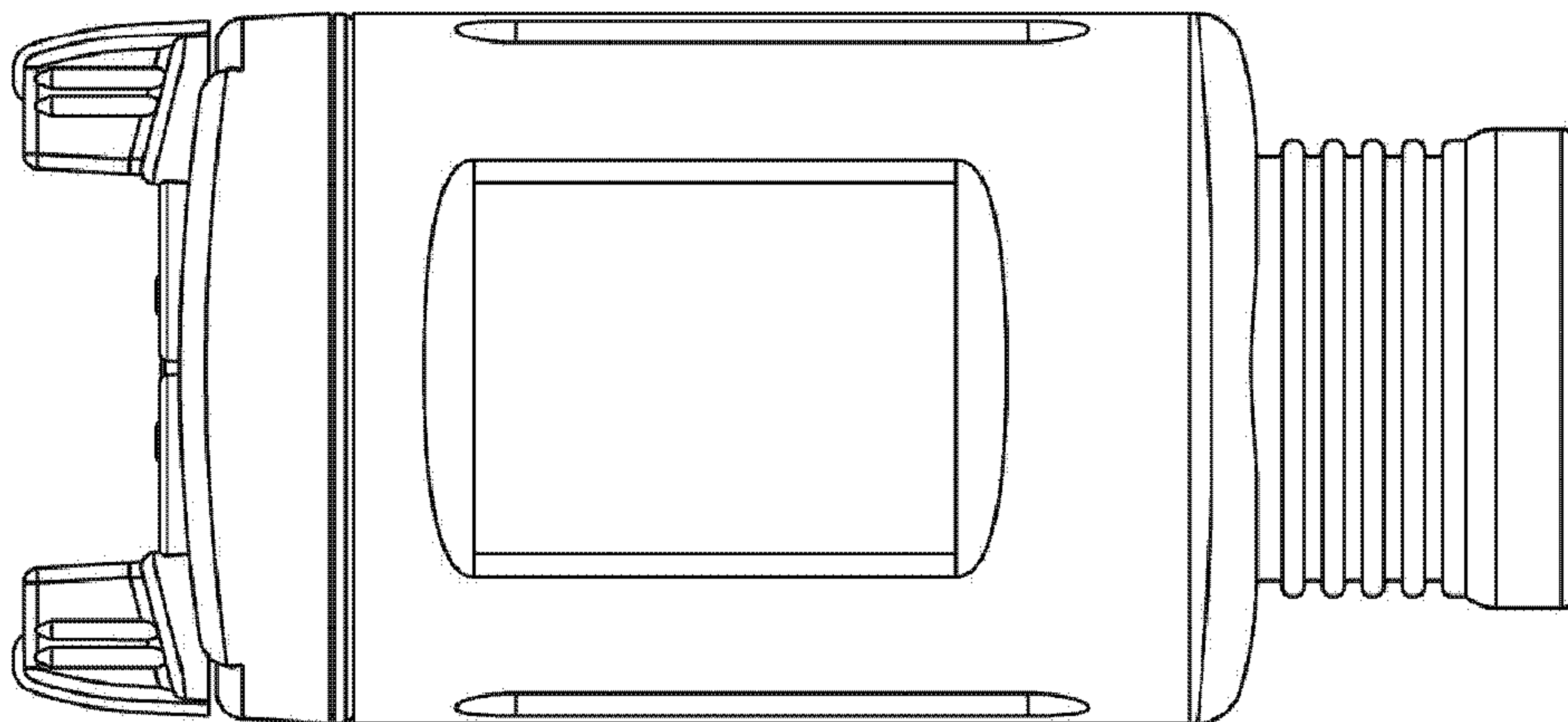


FIGURE 8