



US00D568502S

(12) **United States Design Patent**
Kudo et al.

(10) **Patent No.:** **US D568,502 S**

(45) **Date of Patent:** **** May 6, 2008**

(54) **TAIL LAMP FOR A VEHICLE**

D489,466 S * 5/2004 Dohogne et al. D26/28
D518,905 S * 4/2006 Okuda et al. D26/28
D530,029 S * 10/2006 Neufeglise et al. D26/28

(75) Inventors: **Kazuhiro Kudo**, Saitama (JP); **Tetsuya Nakazawa**, Saitama (JP)

* cited by examiner

(73) Assignee: **Honda Giken Kogyo Kabushiki Kaisha**, Tokyo (JP)

Primary Examiner—Marcus A. Jackson
(74) *Attorney, Agent, or Firm*—Westerman, Hattori, Daniels & Adrian, LLP

(**) Term: **14 Years**

(21) Appl. No.: **29/187,966**

(57) **CLAIM**

(22) Filed: **Aug. 12, 2003**

The ornamental design for a tail lamp for a vehicle, as shown and described.

(30) **Foreign Application Priority Data**

Feb. 14, 2003 (JP) 2003-003481

DESCRIPTION

(51) **LOC (8) Cl.** **26-06**

FIG. 1 is a front elevation view of tail lamp for a vehicle, showing our new design;

(52) **U.S. Cl.** **D26/28**

FIG. 2 is a rear elevation view thereof;

(58) **Field of Classification Search** D26/28-36;
362/459-468, 475-478, 485-487

FIG. 3 is a top plan view thereof;

See application file for complete search history.

FIG. 4 is a bottom plan view thereof;

FIG. 5 is a right side elevation view thereof;

(56) **References Cited**

U.S. PATENT DOCUMENTS

D451,218 S * 11/2001 Bernier D26/28

D483,505 S * 12/2003 Schwerdtmann D26/31

FIG. 6 is a left side elevation view thereof; and,

FIG. 7 is a front left perspective view thereof.

1 Claim, 4 Drawing Sheets

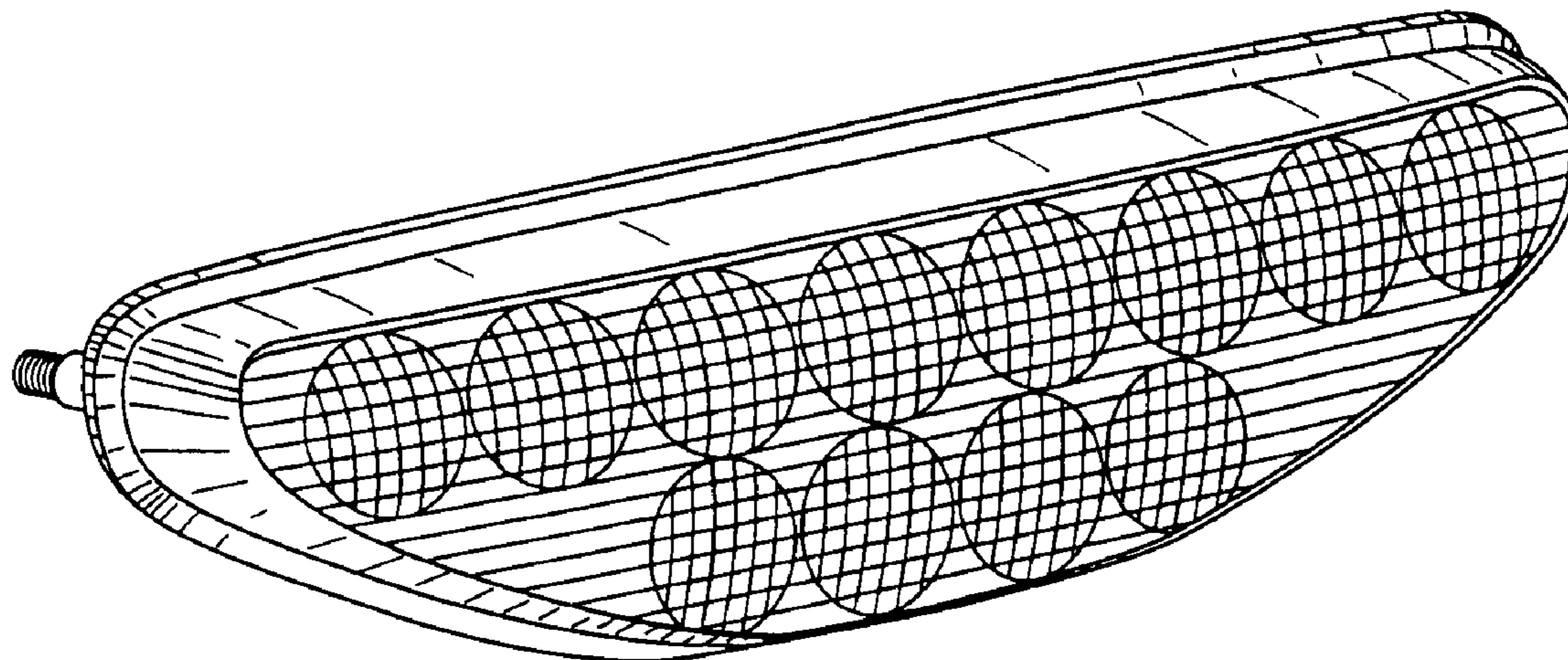


Fig. 1

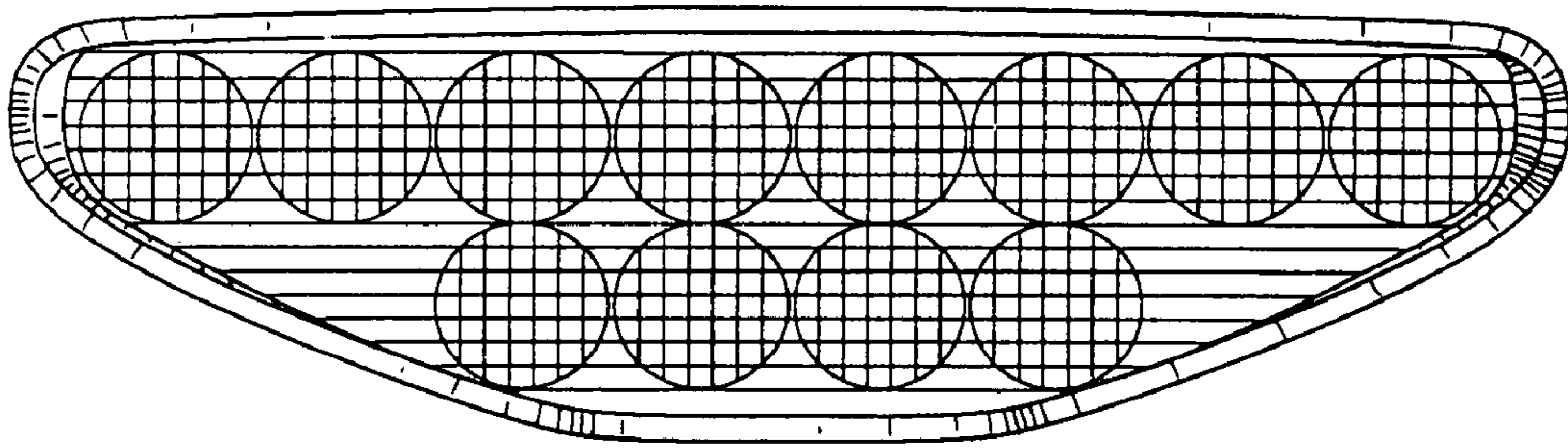


Fig. 2

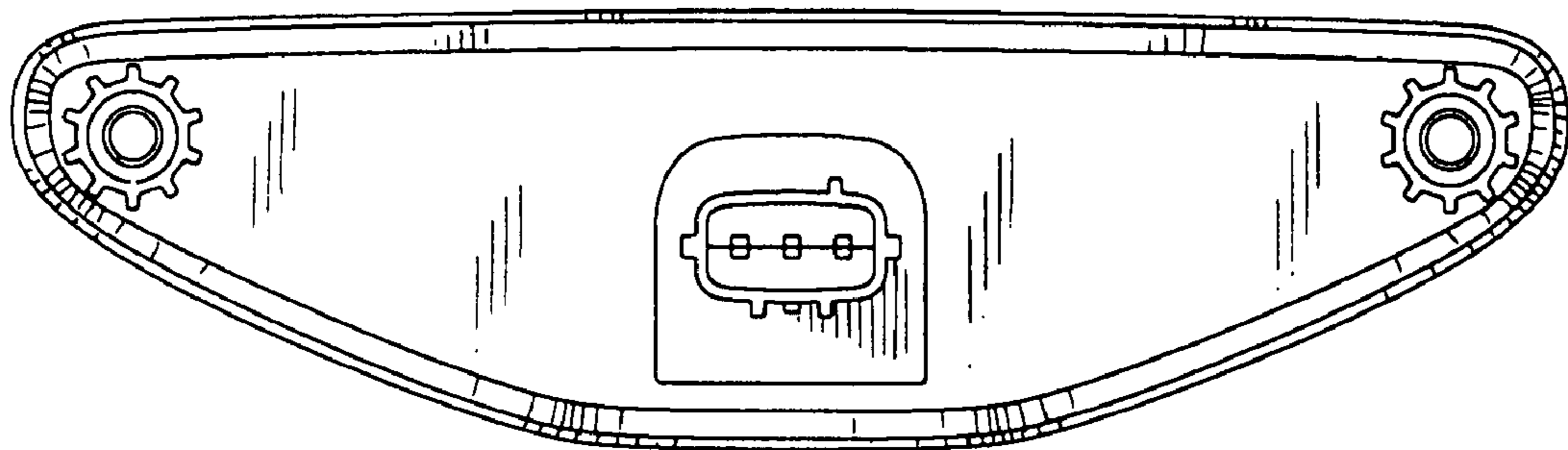


Fig. 3

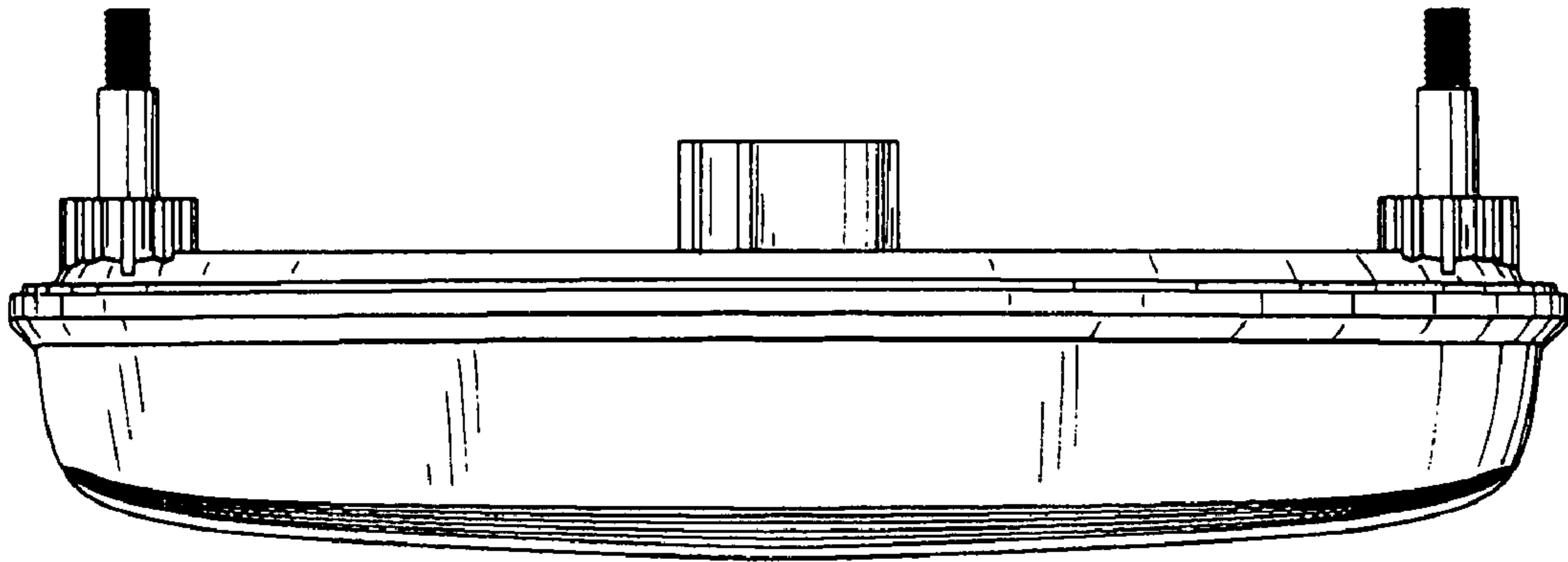


Fig. 4

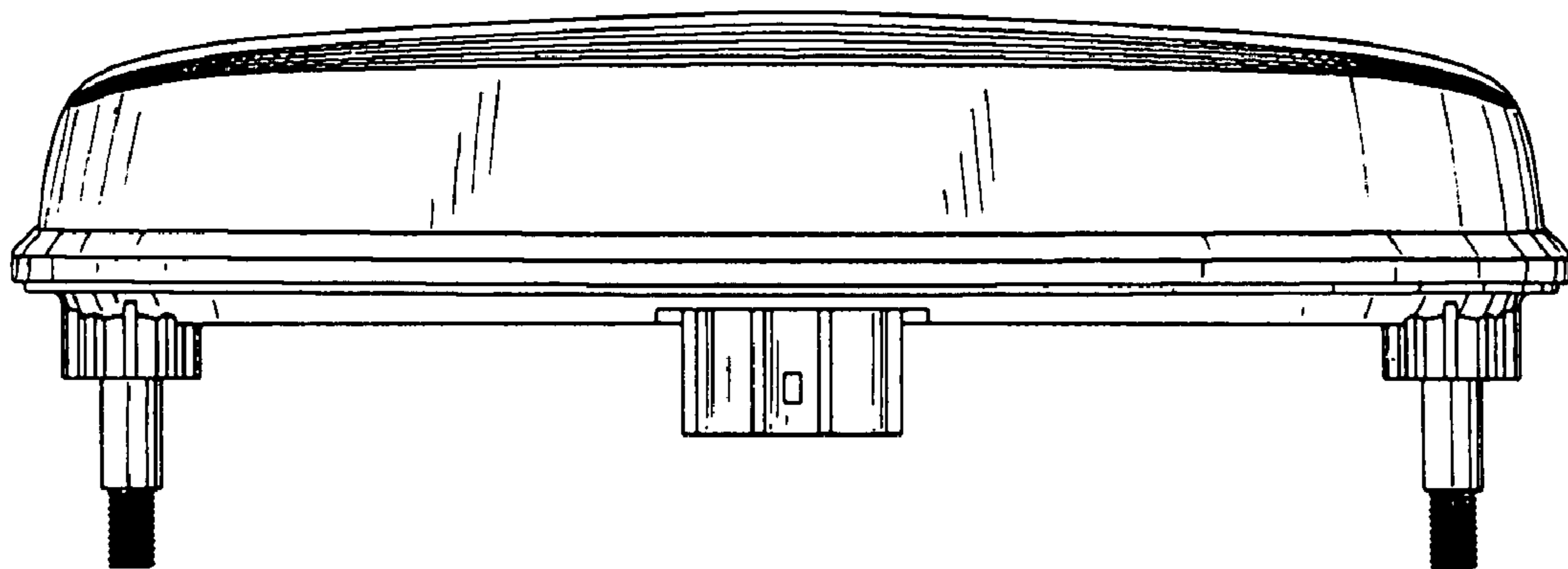


Fig. 5

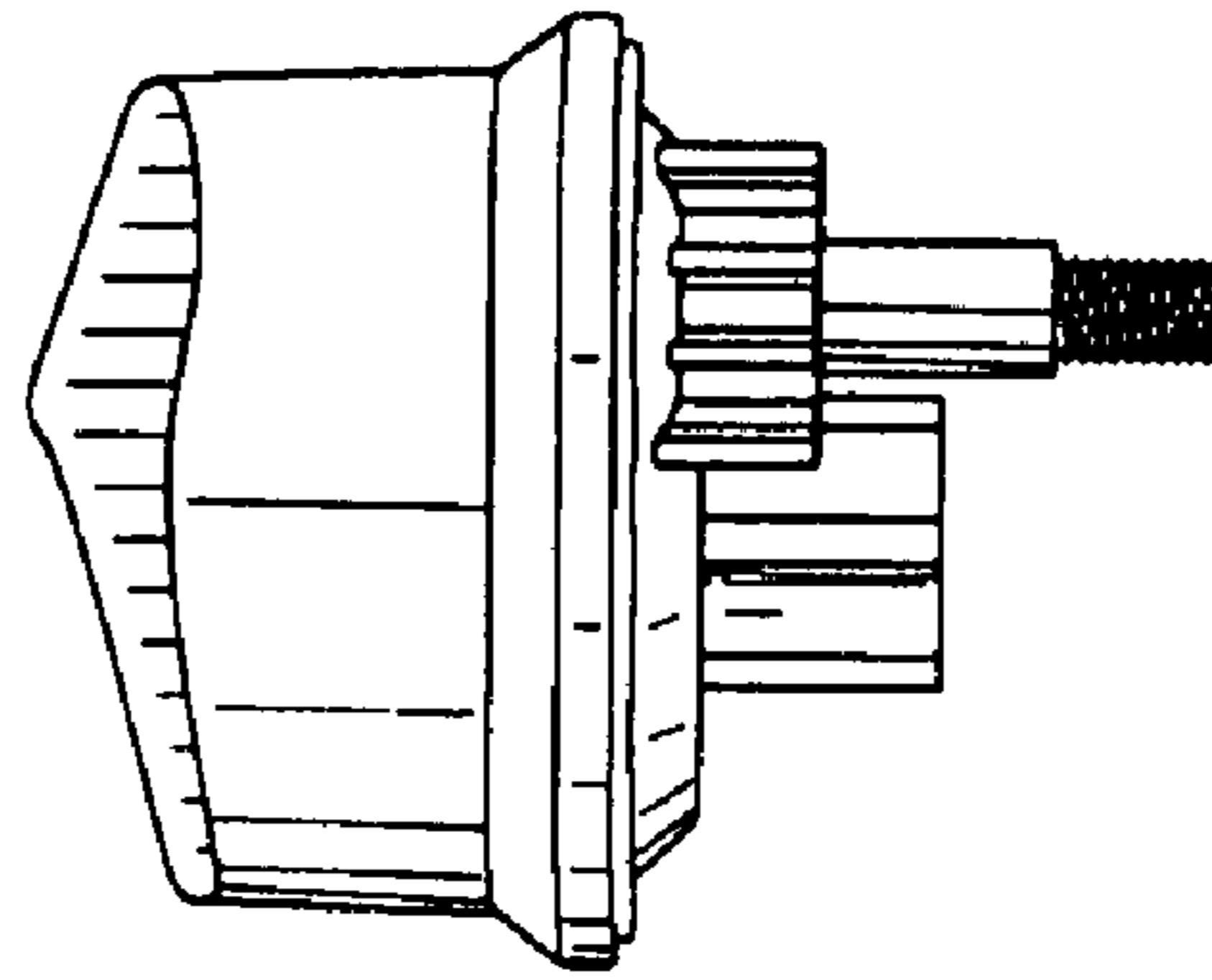


Fig. 6

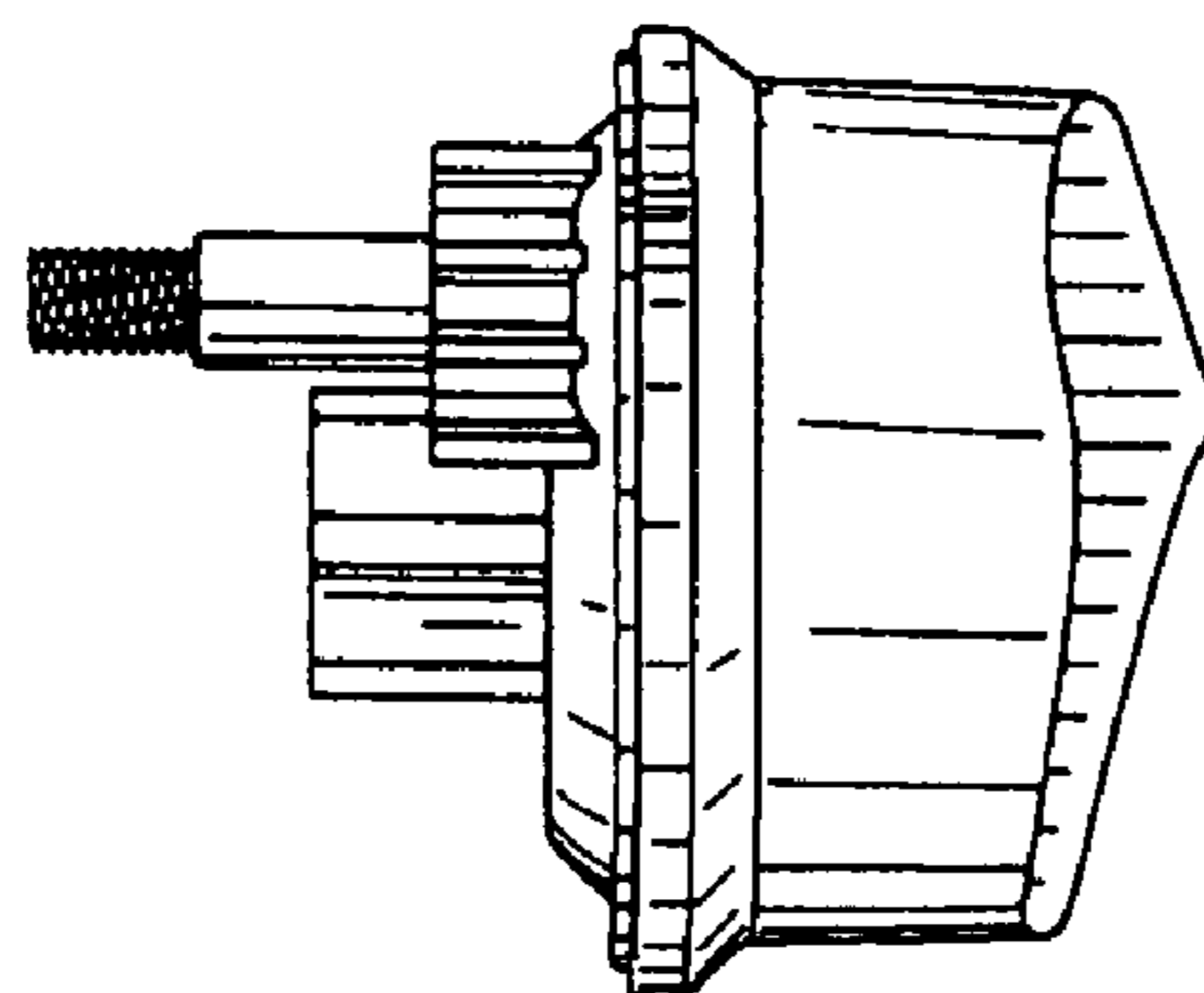


Fig. 7

