



US00D568501S

(12) **United States Design Patent**
Nakazawa et al.

(10) **Patent No.:** **US D568,501 S**

(45) **Date of Patent:** **** May 6, 2008**

(54) **HEADLIGHT CASE FOR A VEHICLE**

D439,994 S * 4/2001 Huang D26/28
D535,768 S * 1/2007 Mikami et al. D26/28

(75) Inventors: **Tetsuya Nakazawa**, Saitama (JP);
Kenji Tako, Saitama (JP)

* cited by examiner

(73) Assignee: **Honda Giken Kogyo Kabushiki Kaisha**, Tokyo (JP)

Primary Examiner—Marcus A. Jackson
(74) *Attorney, Agent, or Firm*—Westerman, Hattori, Daniels & Adrian, LLP.

(**) Term: **14 Years**

(57) **CLAIM**

(21) Appl. No.: **29/187,965**

The ornamental design for a headlight case for a vehicle, as shown and described.

(22) Filed: **Aug. 12, 2003**

(30) **Foreign Application Priority Data**

DESCRIPTION

Feb. 14, 2003 (JP) 2003-003480

FIG. 1 is a front elevation view of a headlight case for a vehicle;

(51) **LOC (8) Cl.** **26-06**

FIG. 2 is a rear elevation view thereof;

(52) **U.S. Cl.** **D26/28**

FIG. 3 is a top plan view thereof;

(58) **Field of Classification Search** D26/28-36;
362/459-468, 475-478, 485-487

FIG. 4 is a bottom plan view thereof;

See application file for complete search history.

FIG. 5 is a right side elevation view thereof;

(56) **References Cited**

FIG. 6 is a left side elevation view thereof; and,

U.S. PATENT DOCUMENTS

FIG. 7 is a front right perspective view thereof.

D437,431 S * 2/2001 Crouse et al. D26/28

1 Claim, 4 Drawing Sheets

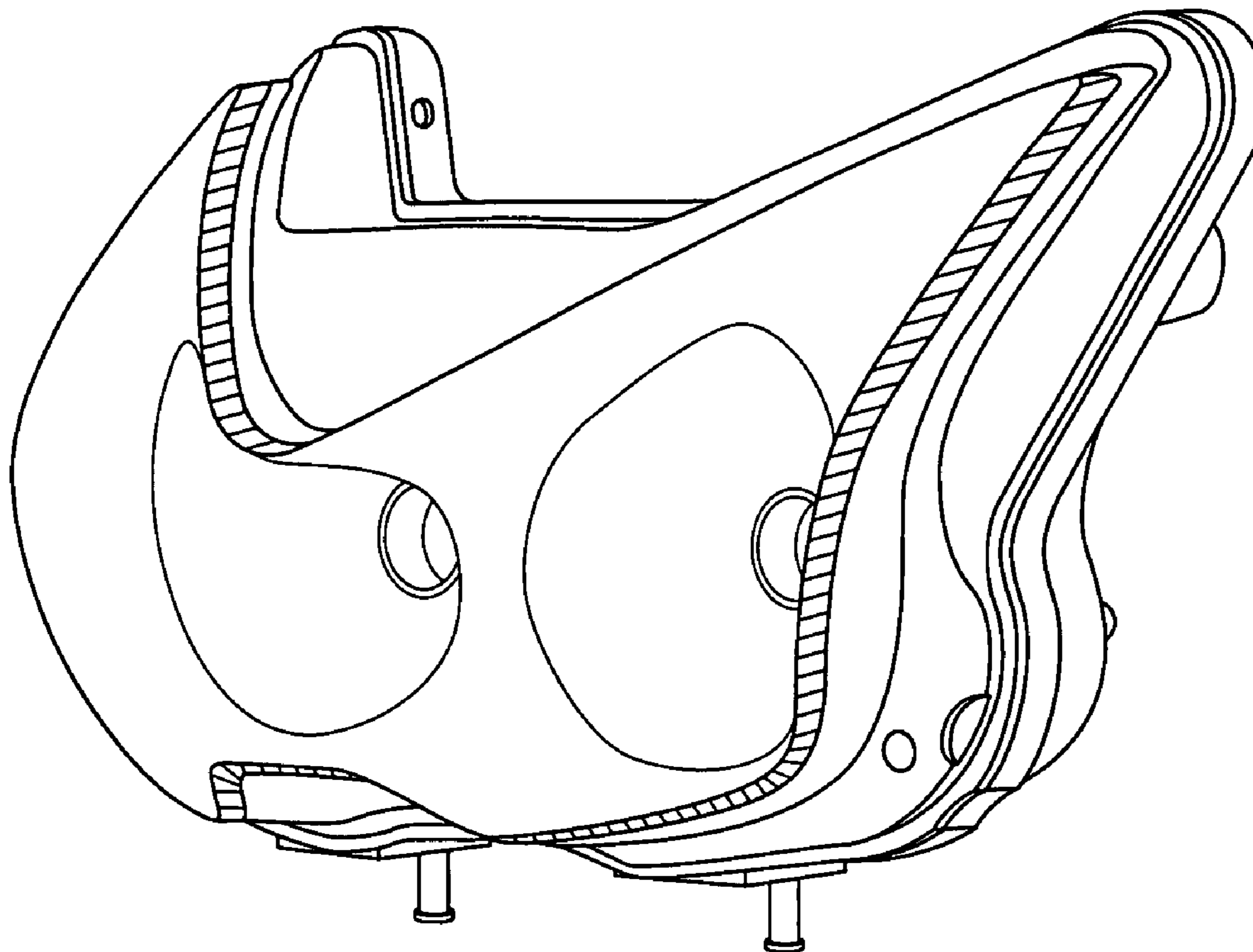


Fig. 1

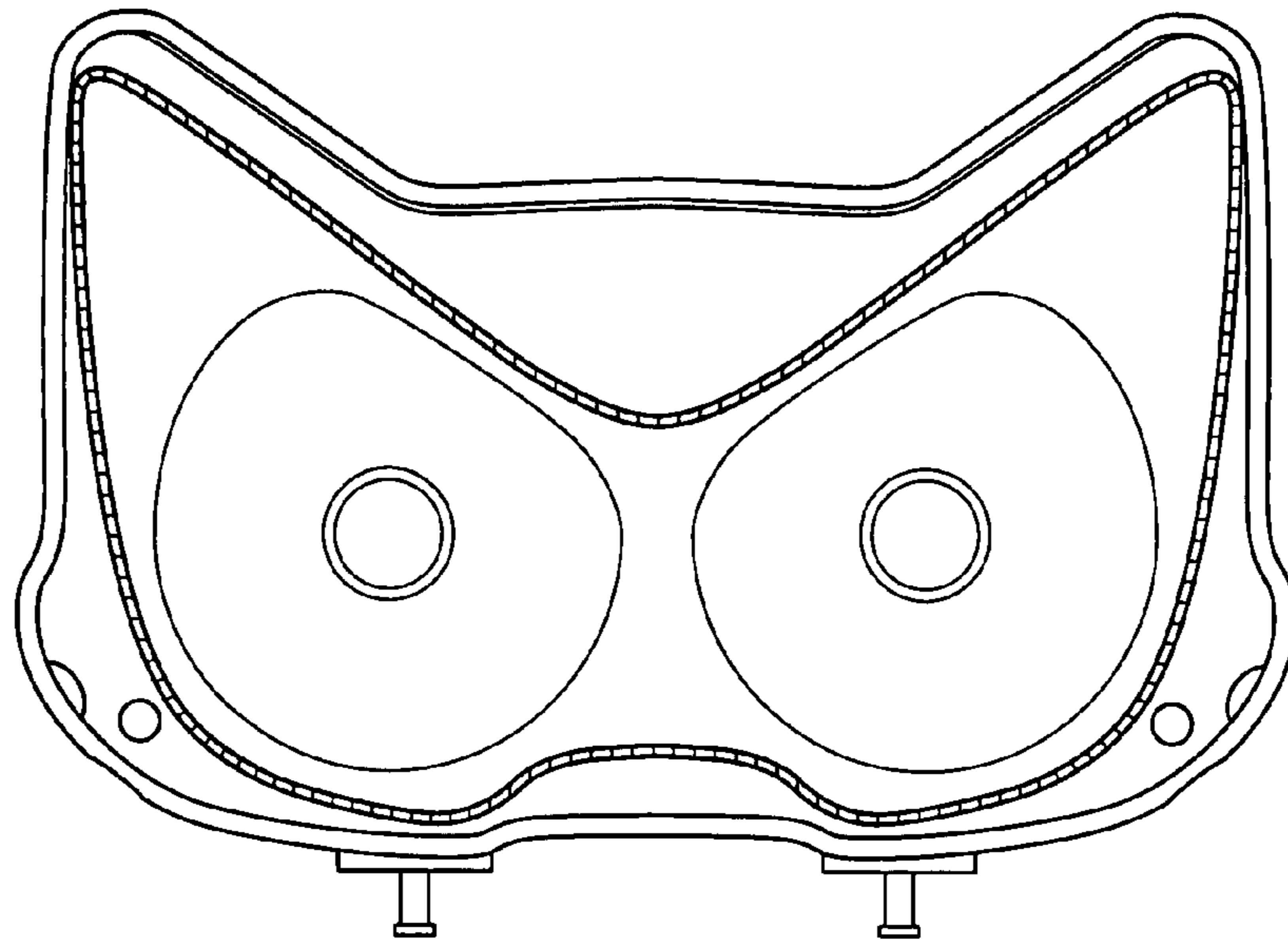


Fig. 2

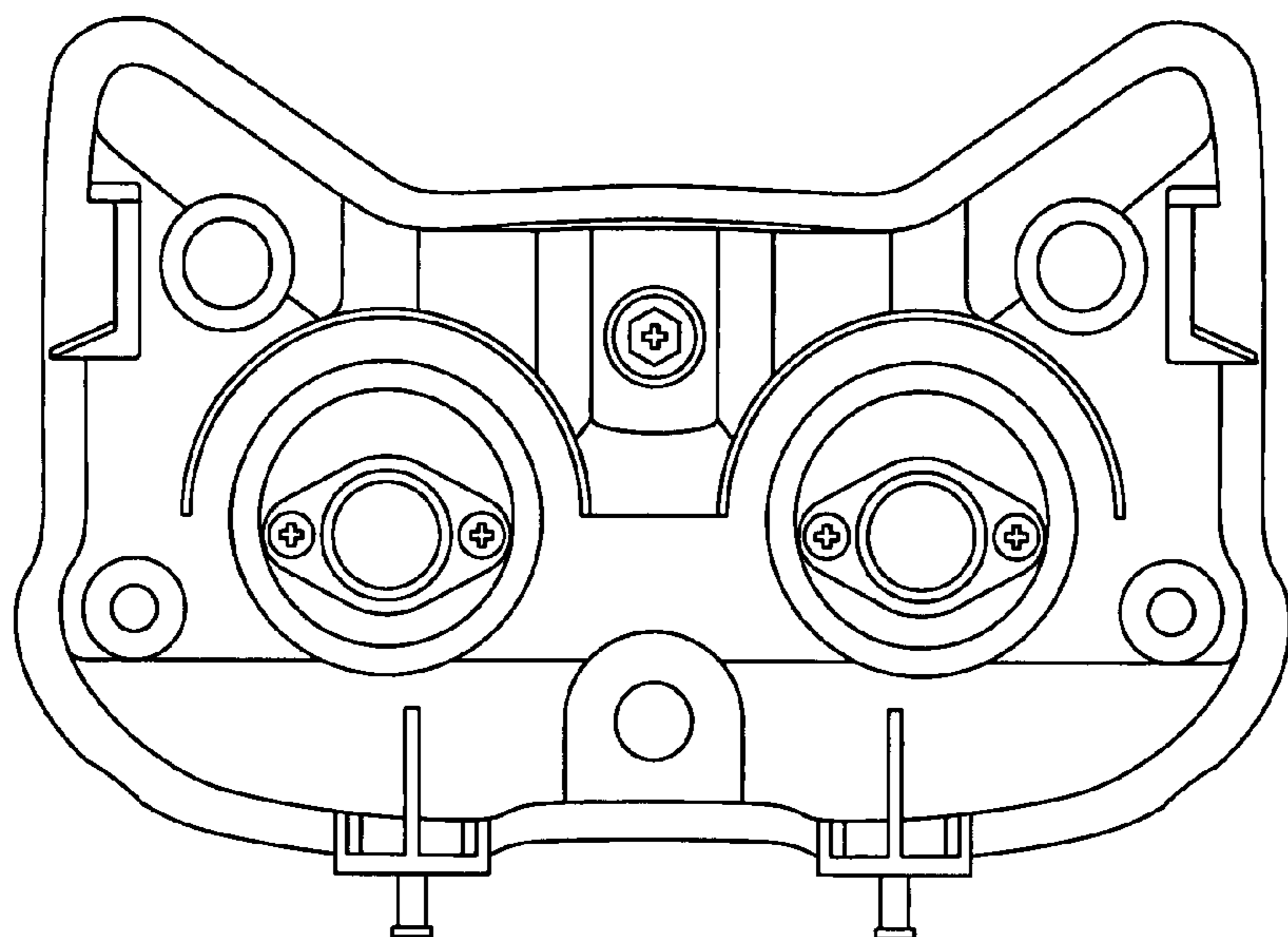


Fig. 3

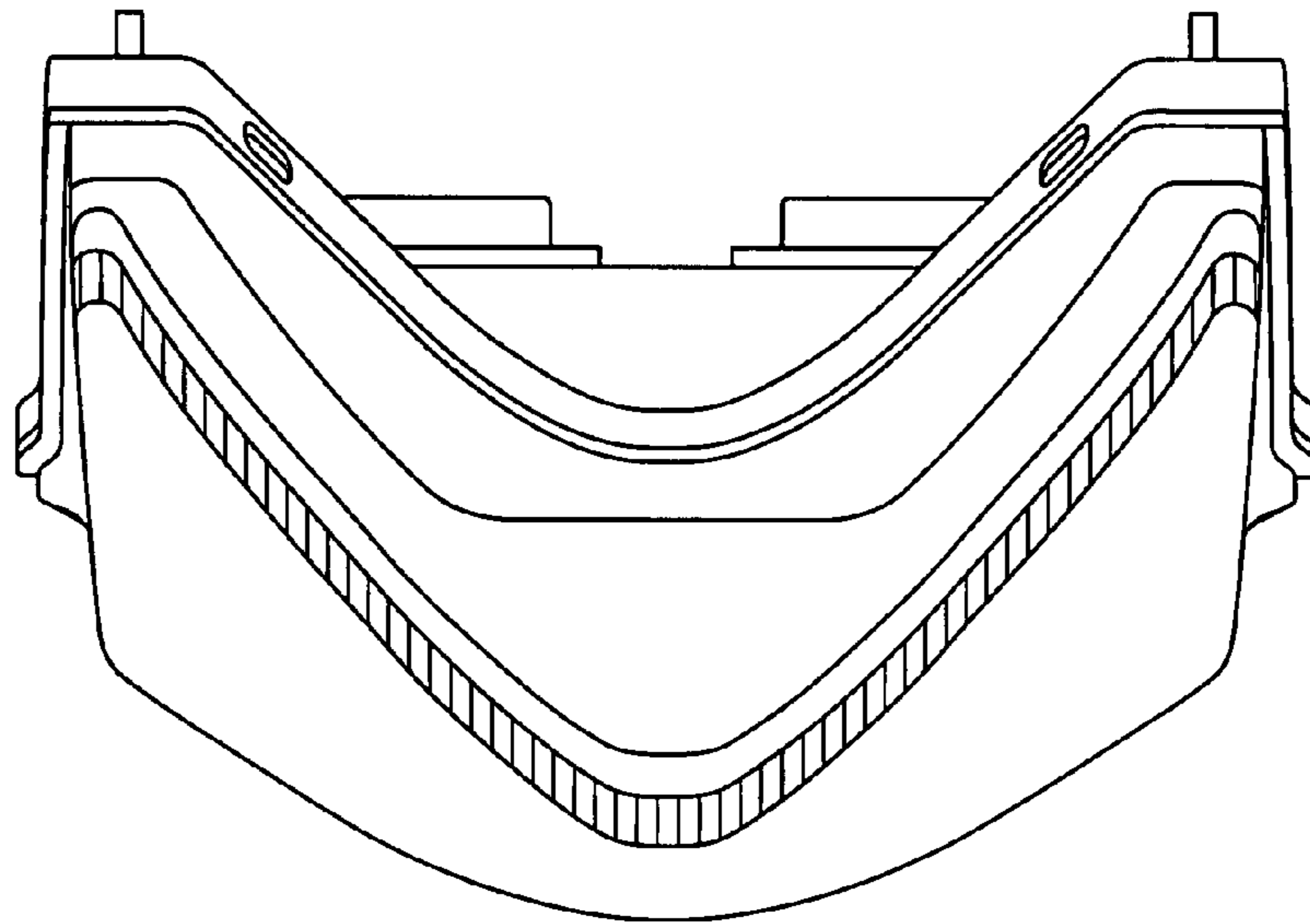


Fig. 4

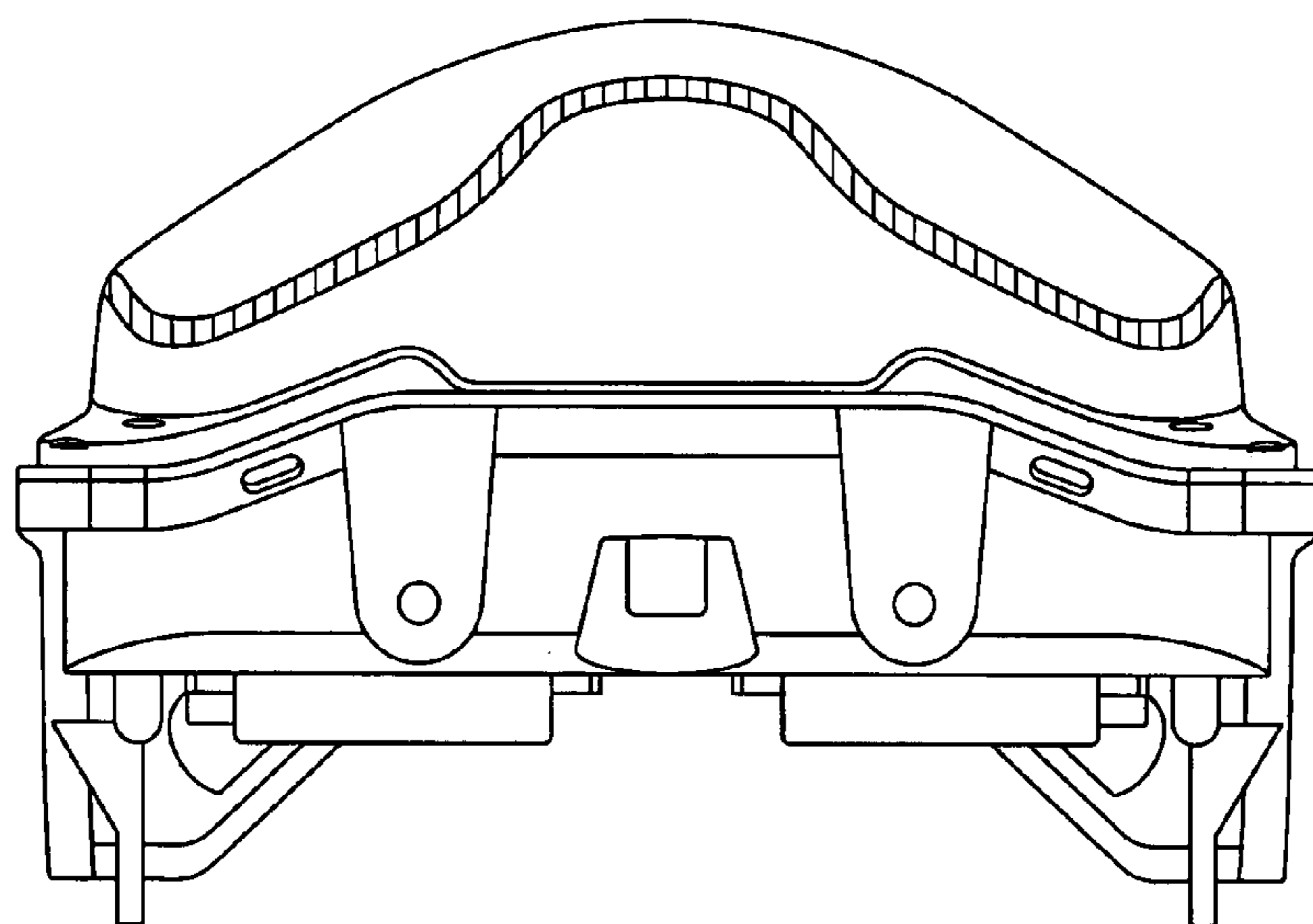


Fig. 5

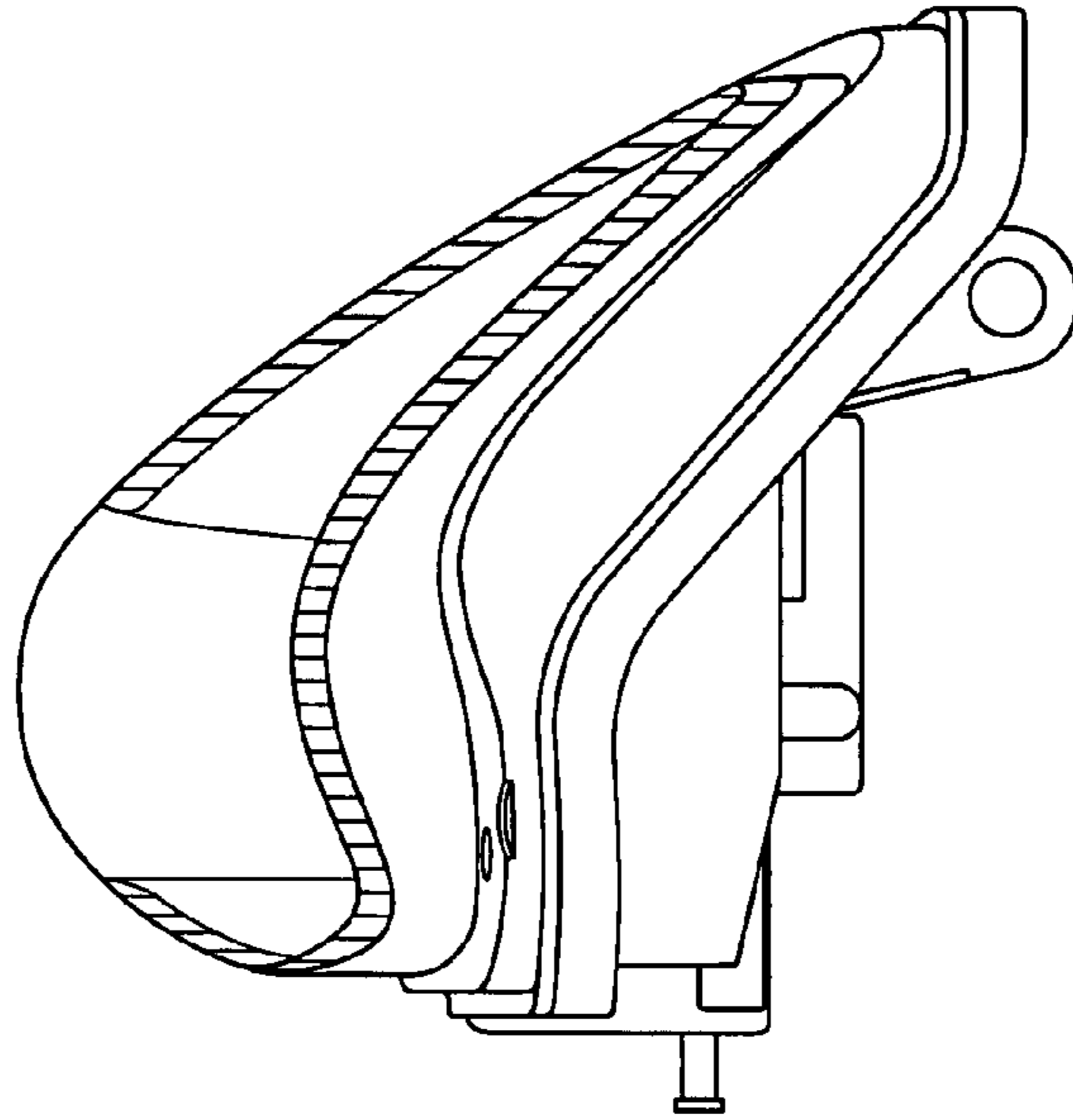


Fig. 6

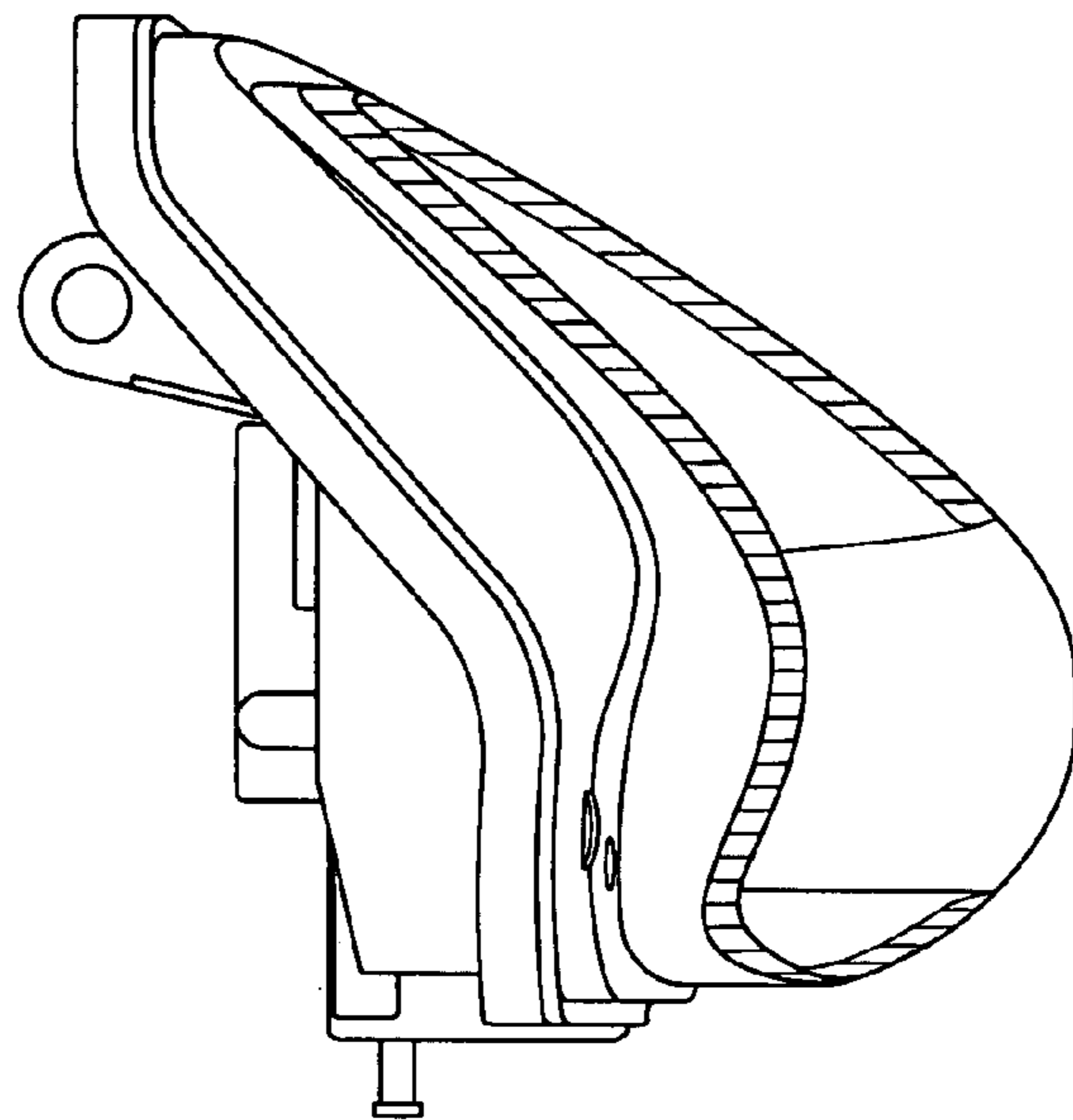


Fig. 7

