



US00D568499S

(12) **United States Design Patent**
Foo

(10) **Patent No.:** **US D568,499 S**

(45) **Date of Patent:** **** May 6, 2008**

(54) **SPIRAL LAMP TUBES**

(75) Inventor: **Onn Fah Foo**, Kowloon (HK)

(73) Assignee: **Mass Technology (H.K.) Ltd.**,
Kowloon (HK)

(**) Term: **14 Years**

(21) Appl. No.: **29/281,607**

(22) Filed: **Jun. 27, 2007**

(30) **Foreign Application Priority Data**

Jan. 9, 2007 (CN) 2007 3 0001137

(51) **LOC (8) Cl.** **26-04**

(52) **U.S. Cl.** **D26/3**

(58) **Field of Classification Search** D26/1-4;
313/313, 315, 317, 318, 493; 315/52, 53,
315/57, 58

See application file for complete search history.

(56) **References Cited**

U.S. PATENT DOCUMENTS

D447,580 S * 9/2001 Kim D26/3

D471,653 S * 3/2003 Lin et al. D26/3
D488,874 S * 4/2004 Li D26/3
D493,546 S * 7/2004 Kim D26/3
D509,605 S * 9/2005 Egawa D26/3

* cited by examiner

Primary Examiner—Marcus A. Jackson

(74) *Attorney, Agent, or Firm*—Rabin & Berdo, P.C.

(57) **CLAIM**

The ornamental design for a spiral lamp tubes, as shown and described.

DESCRIPTION

FIG. 1 is a front view of a spiral lamp tubes showing our new design;

FIG. 2 is a rear view thereof;

FIG. 3 is a left side view thereof;

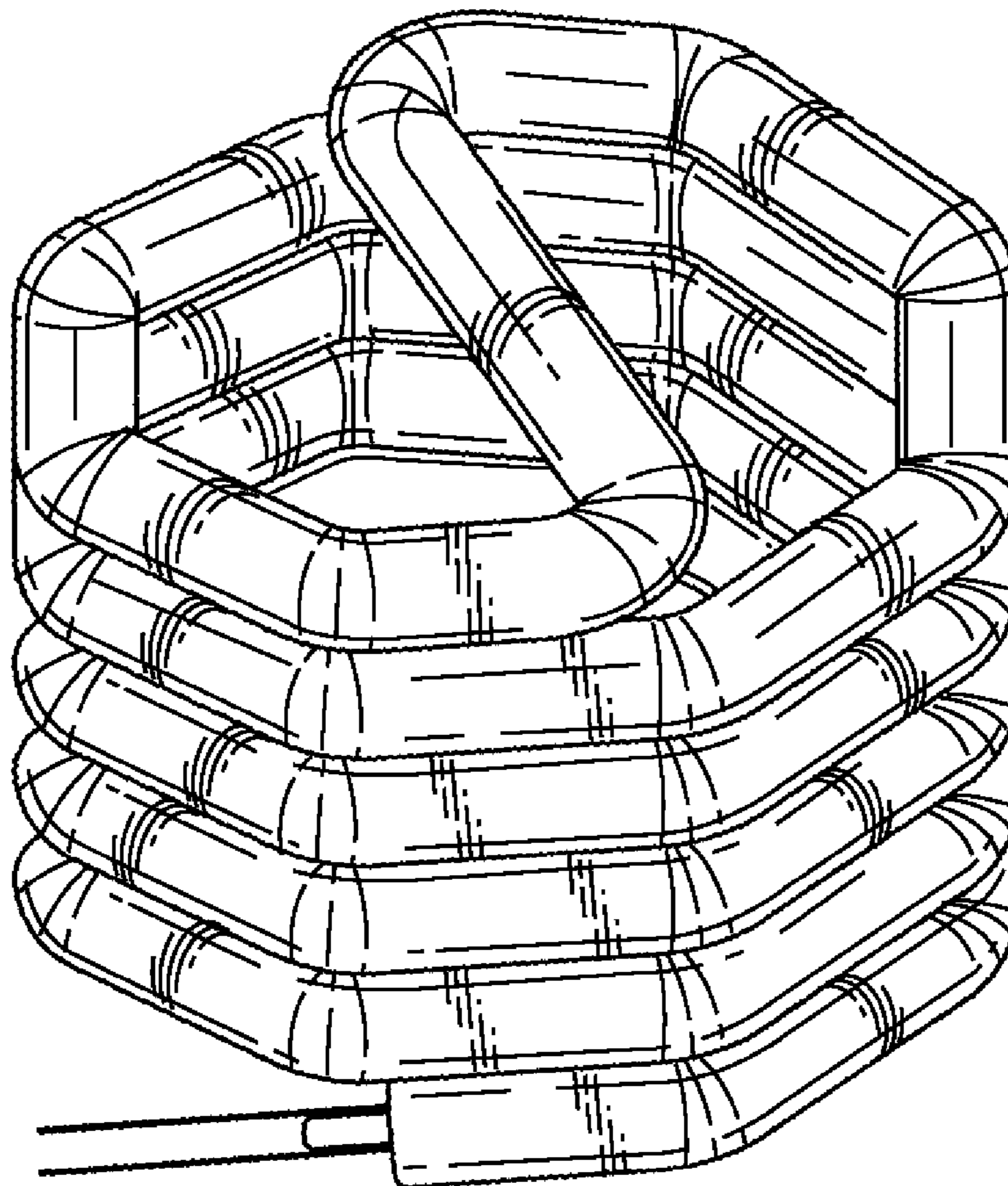
FIG. 4 is a right side view thereof;

FIG. 5 is a top view thereof;

FIG. 6 is a bottom view thereof; and,

FIG. 7 is a perspective view thereof.

1 Claim, 3 Drawing Sheets



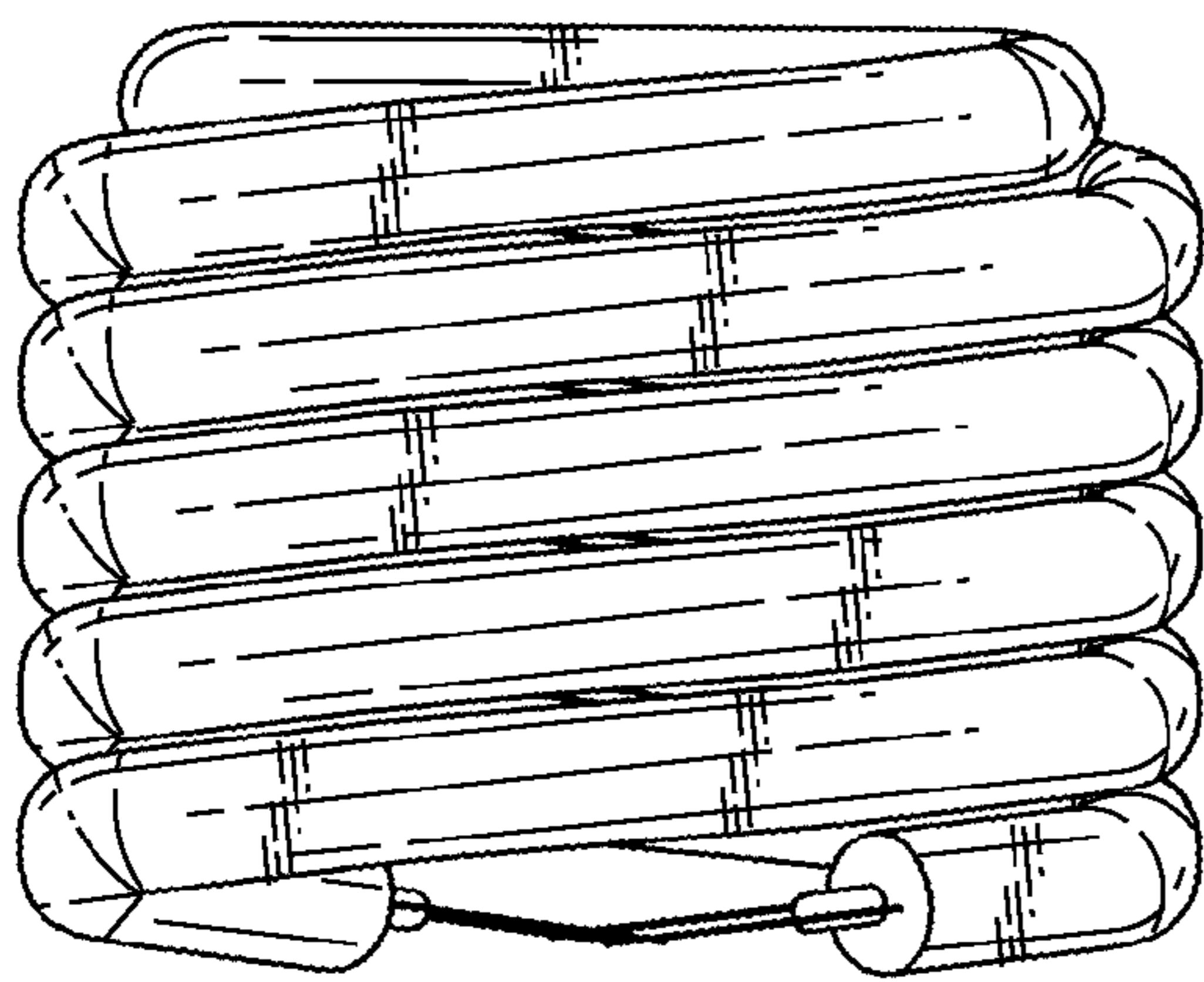


Fig. 1

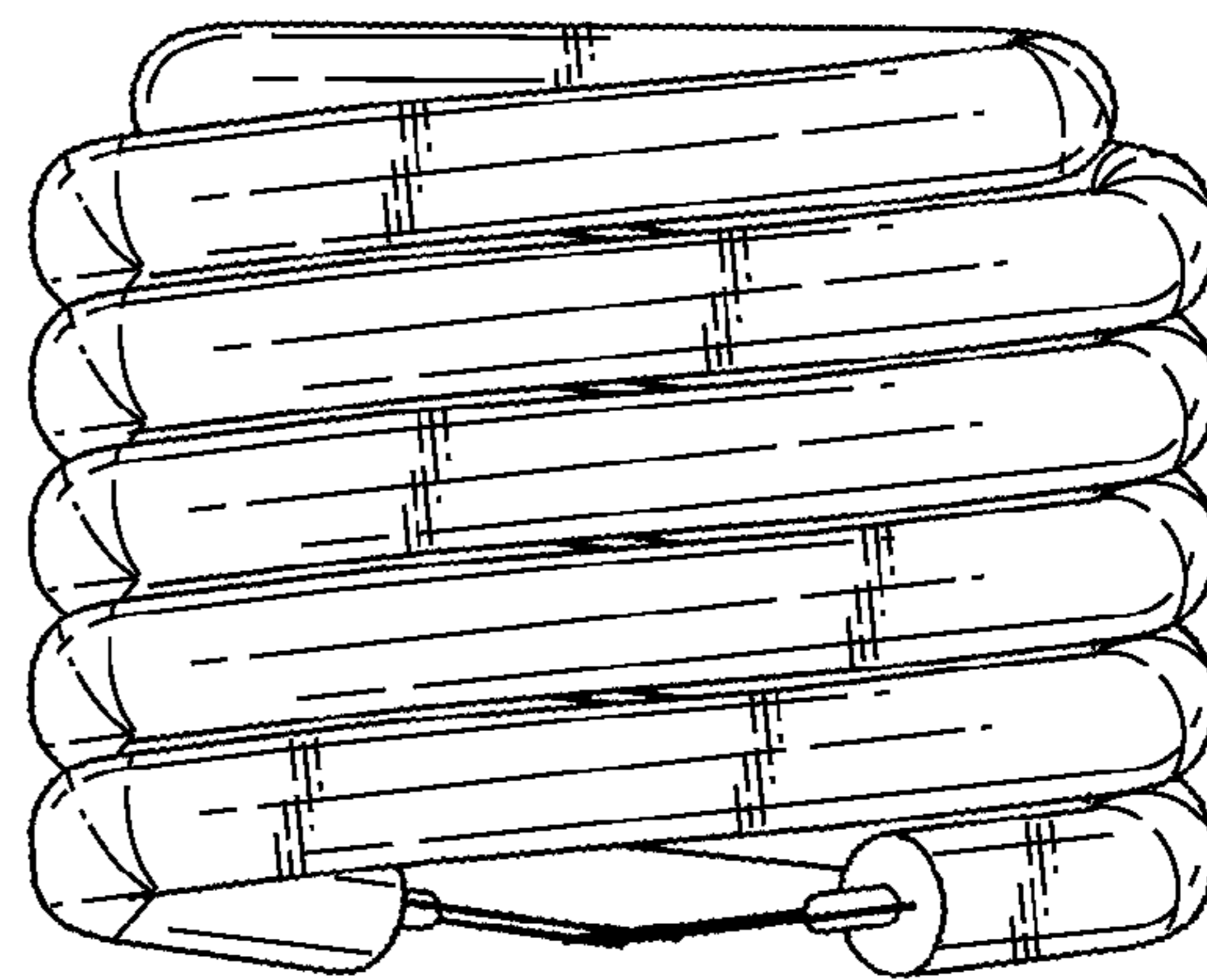


Fig. 2

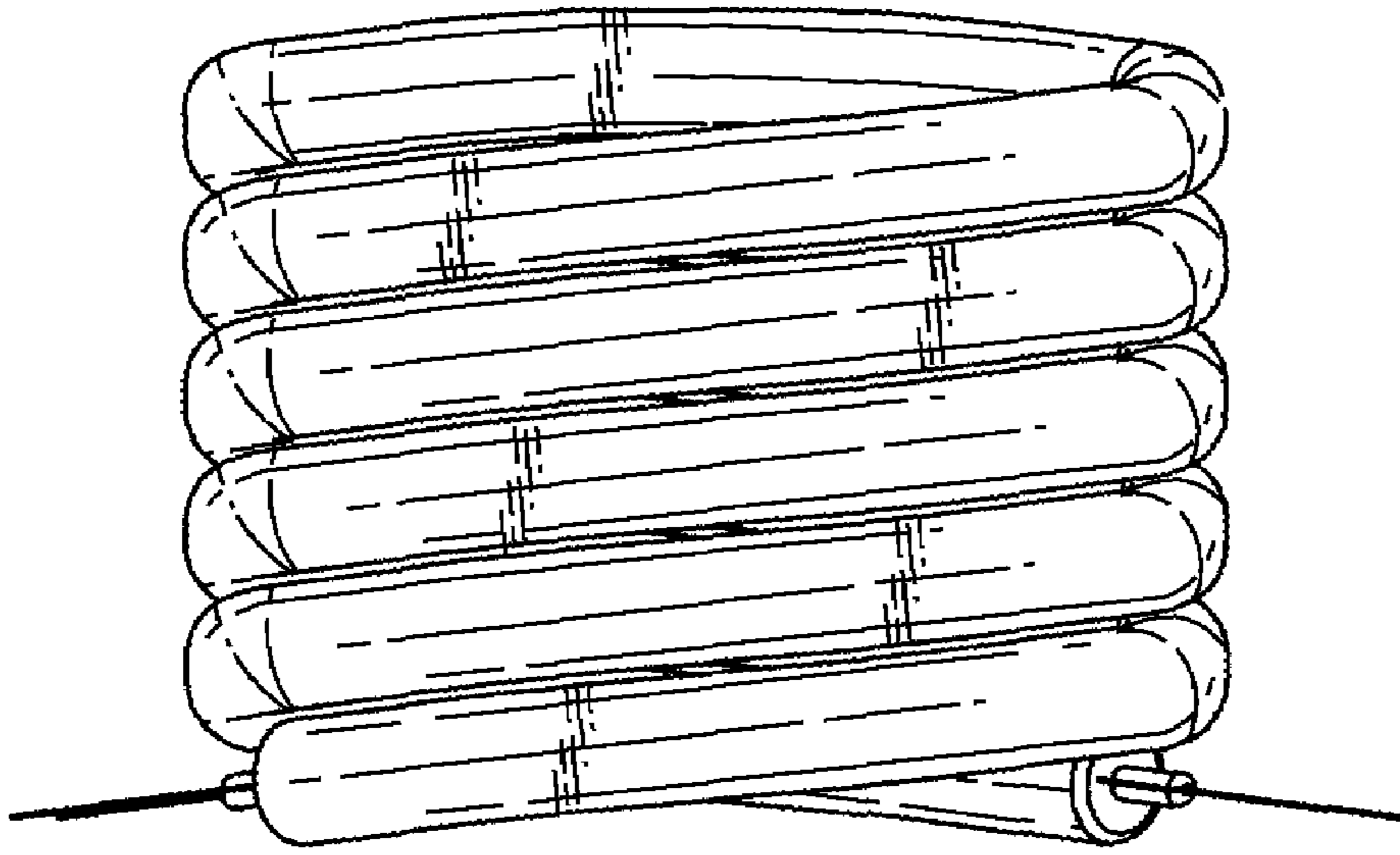


Fig. 3

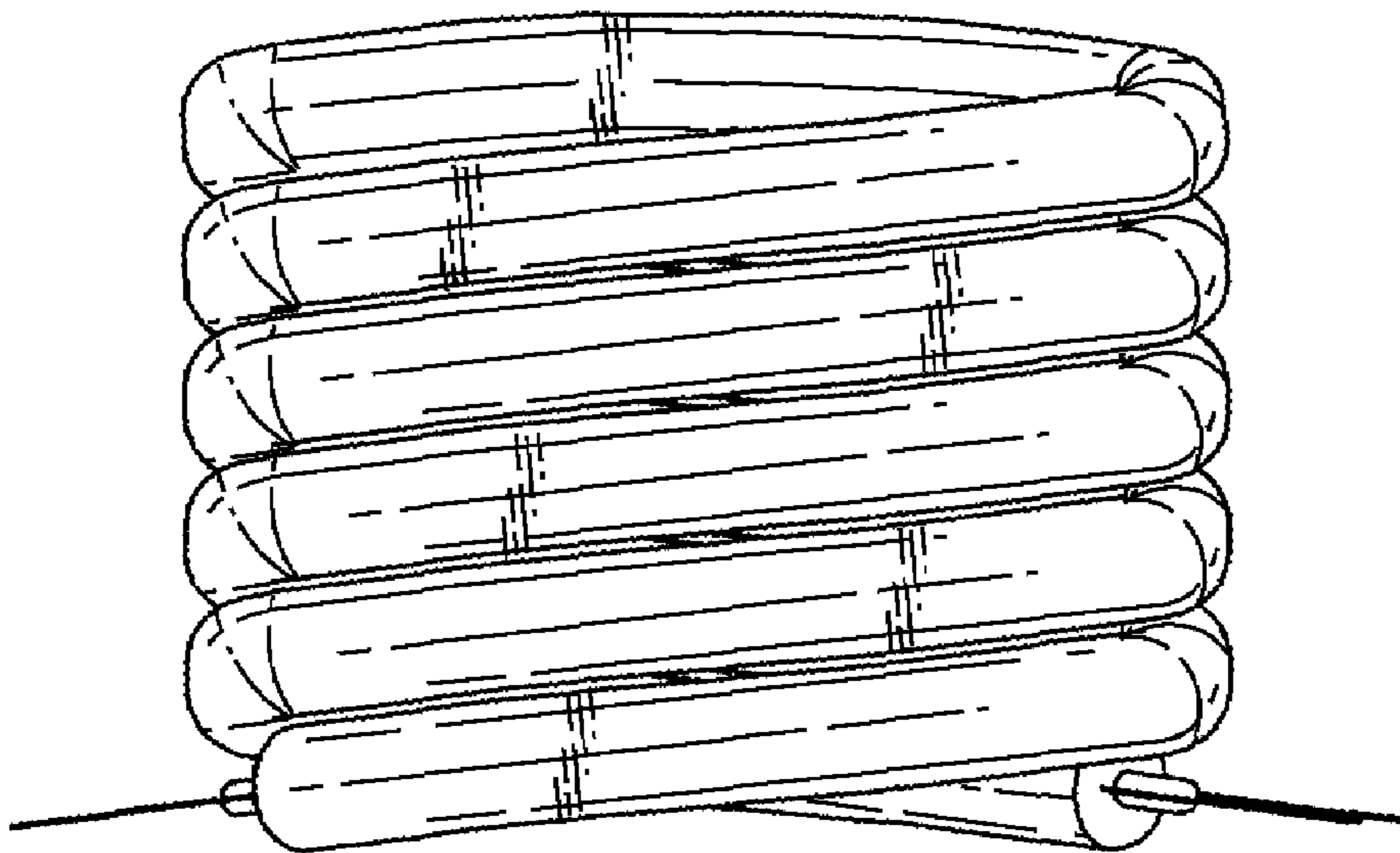


Fig. 4

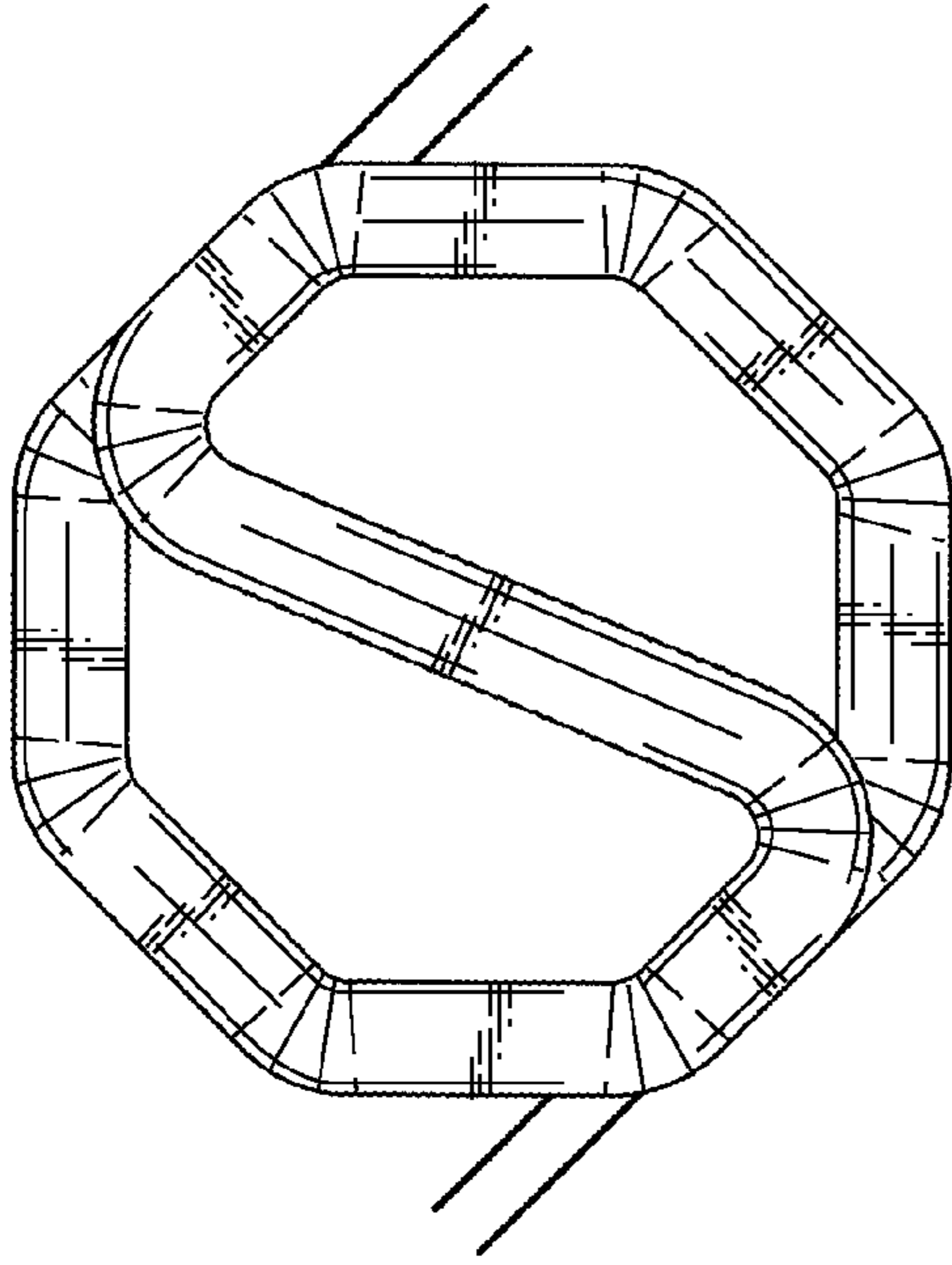


Fig. 5

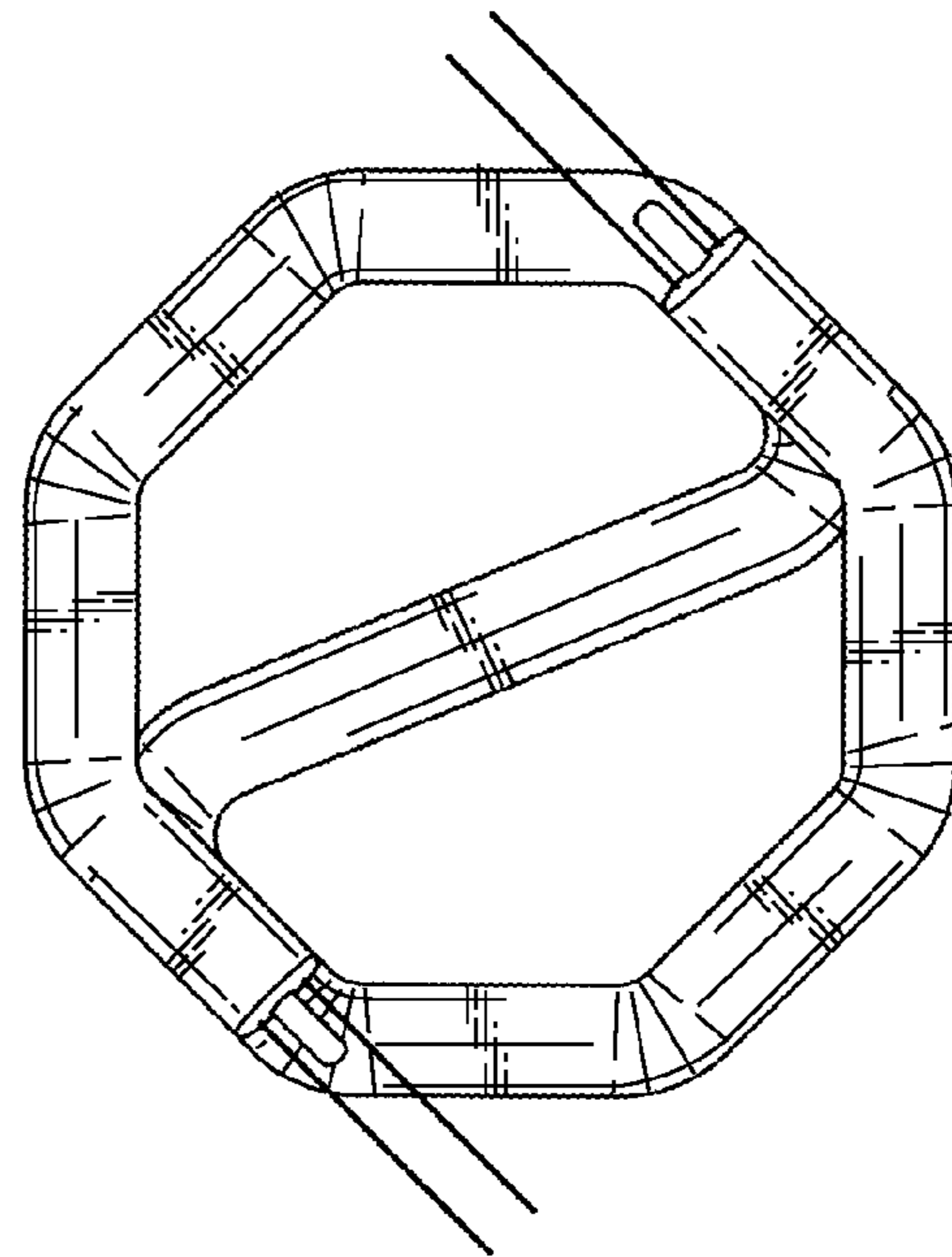


Fig. 6

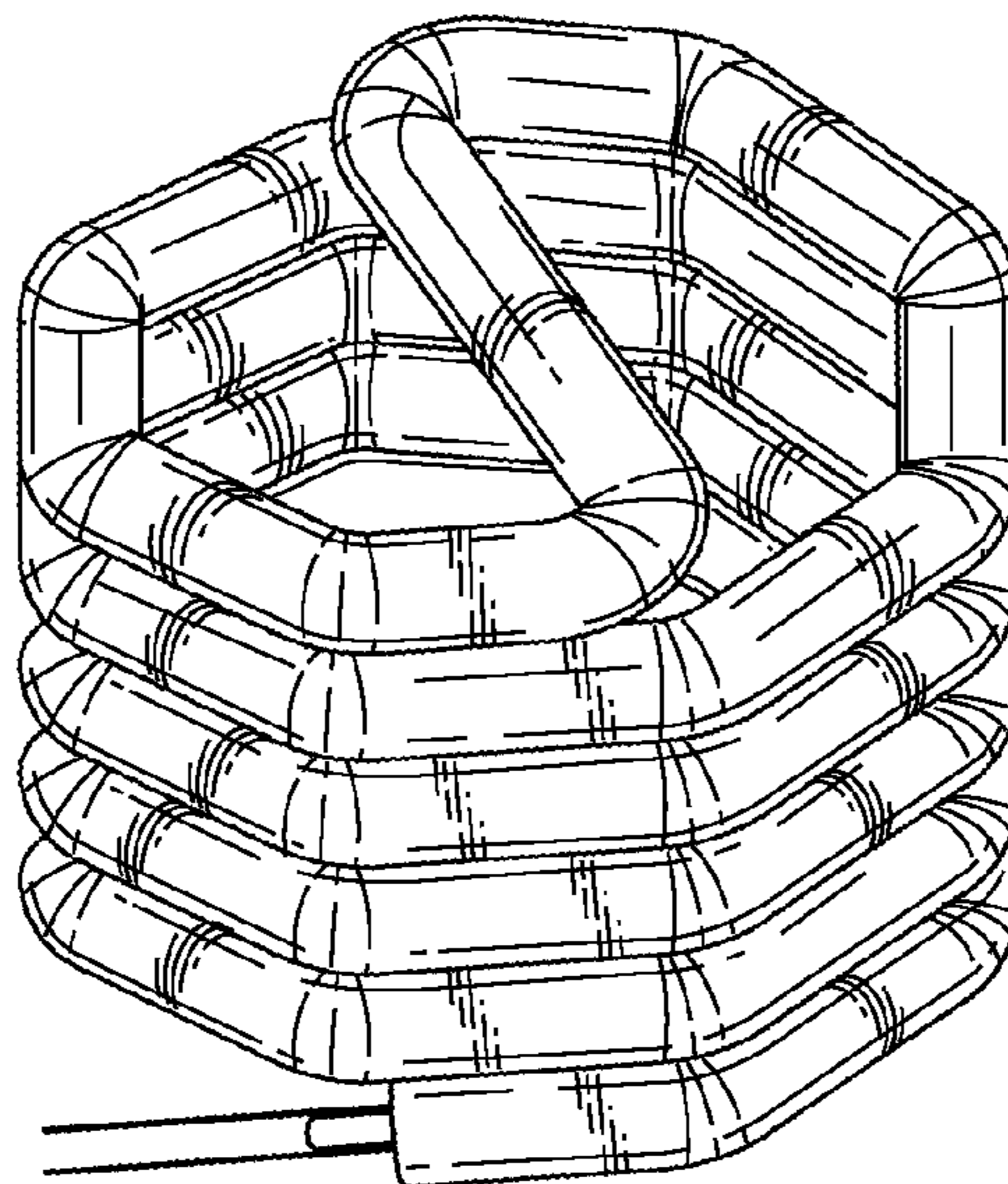


Fig. 7