



US00D568498S

(12) **United States Design Patent** (10) **Patent No.:** **US D568,498 S**
Degenhard et al. (45) **Date of Patent:** **** May 6, 2008**

(54) **REFLECTOR LAMP**

FOREIGN PATENT DOCUMENTS

(75) Inventors: **Thomas Degenhard**, Berlin (DE);
Martin Fornalski, Berlin (DE); **Jürgen Kellerer**, Berlin (DE); **Stephan Thomas**, Klosterdorf (DE)

DE	37 13 371 A1	11/1987
EP	0 415 398 A2	8/1990
EP	0 438 060 A2	7/1991
EP	0 877 412 A	11/1998
EP	1 111 654 A1	12/2000
WO	WO 2005/015605 A2	2/2005

(73) Assignee: **Osram Gesellschaft mit beschränkter Haftung**, Munich (DE)

* cited by examiner

(**) Term: **14 Years**

Primary Examiner—Marcus A. Jackson

(21) Appl. No.: **29/285,886**

(74) *Attorney, Agent, or Firm*—Cohen Pontani Lieberman & Pavane LLP

(22) Filed: **Apr. 13, 2007**

(57) **CLAIM**

(30) **Foreign Application Priority Data**

The ornamental design for a reflector lamp, as shown and described.

Oct. 13, 2006 (DE) 4 06 05 365

(51) **LOC (8) Cl.** **26-04**

(52) **U.S. Cl.** **D26/2**

(58) **Field of Classification Search** D26/1-4;
313/313, 315, 317, 318, 493; 315/52, 56,
315/57, 58

See application file for complete search history.

DESCRIPTION

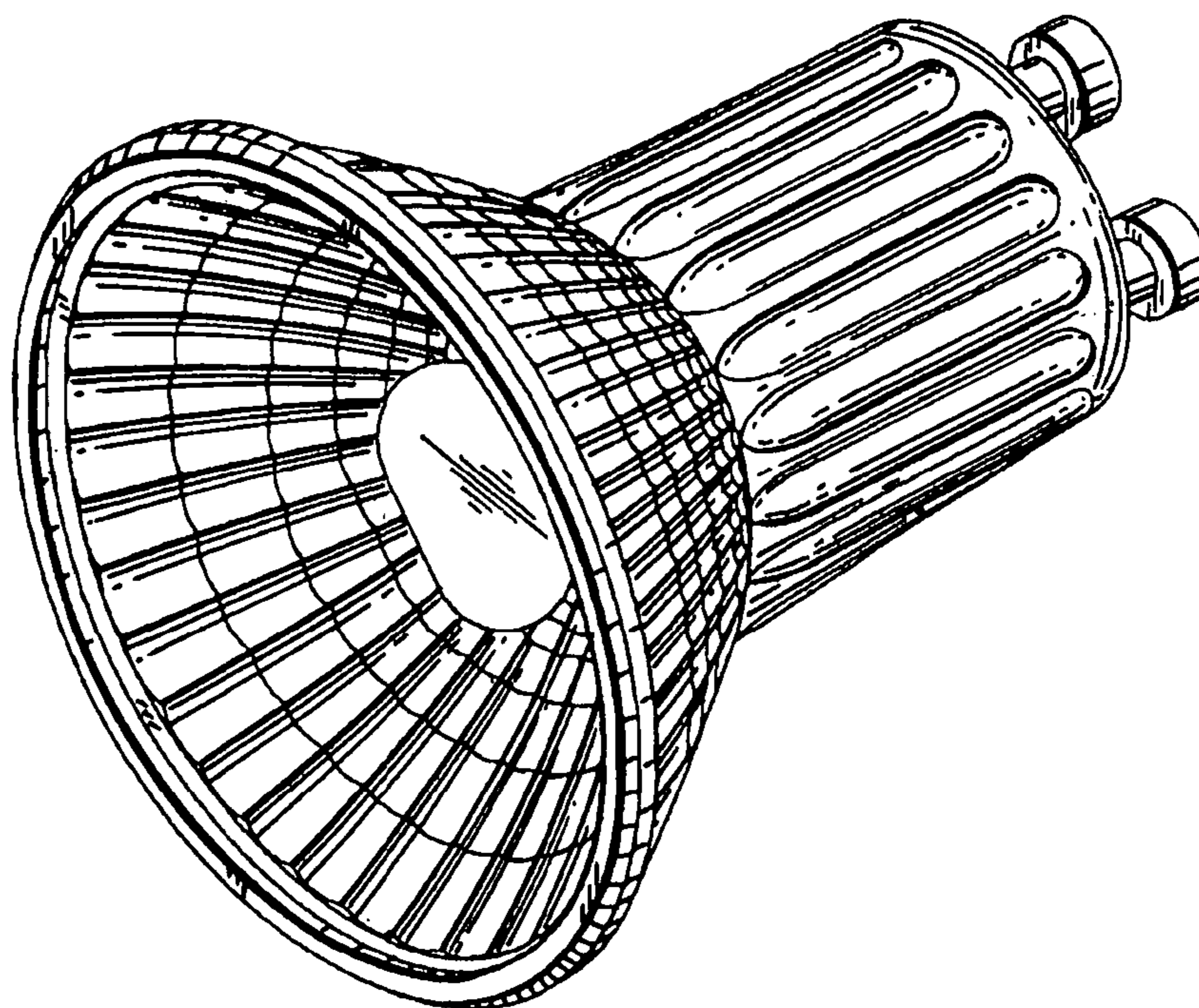
FIG. 1 is a perspective view of a reflector lamp;
FIG. 2 is a left side view of the reflector lamp;
FIG. 3 is a left side view as shown in FIG. 2 but rotated by 90° around a longitudinal axis of the reflector lamp;
FIG. 4 is a right side view of the reflector lamp;
FIG. 5 is a right side view as shown in FIG. 4 but rotated by 90° around a longitudinal axis of the reflector lamp;
FIG. 6 is a front view of the reflector lamp; and,
FIG. 7 is a back view of the reflector lamp.

(56) **References Cited**

U.S. PATENT DOCUMENTS

D497,439 S *	10/2004	Shaw et al.	D26/2
D530,836 S *	10/2006	Johnson	D26/2
D535,408 S *	1/2007	Tseng	D26/24
D551,784 S *	9/2007	Krieglmeyer et al.	D26/2
2006/0226754 A1	10/2006	Arndt et al.		

1 Claim, 4 Drawing Sheets



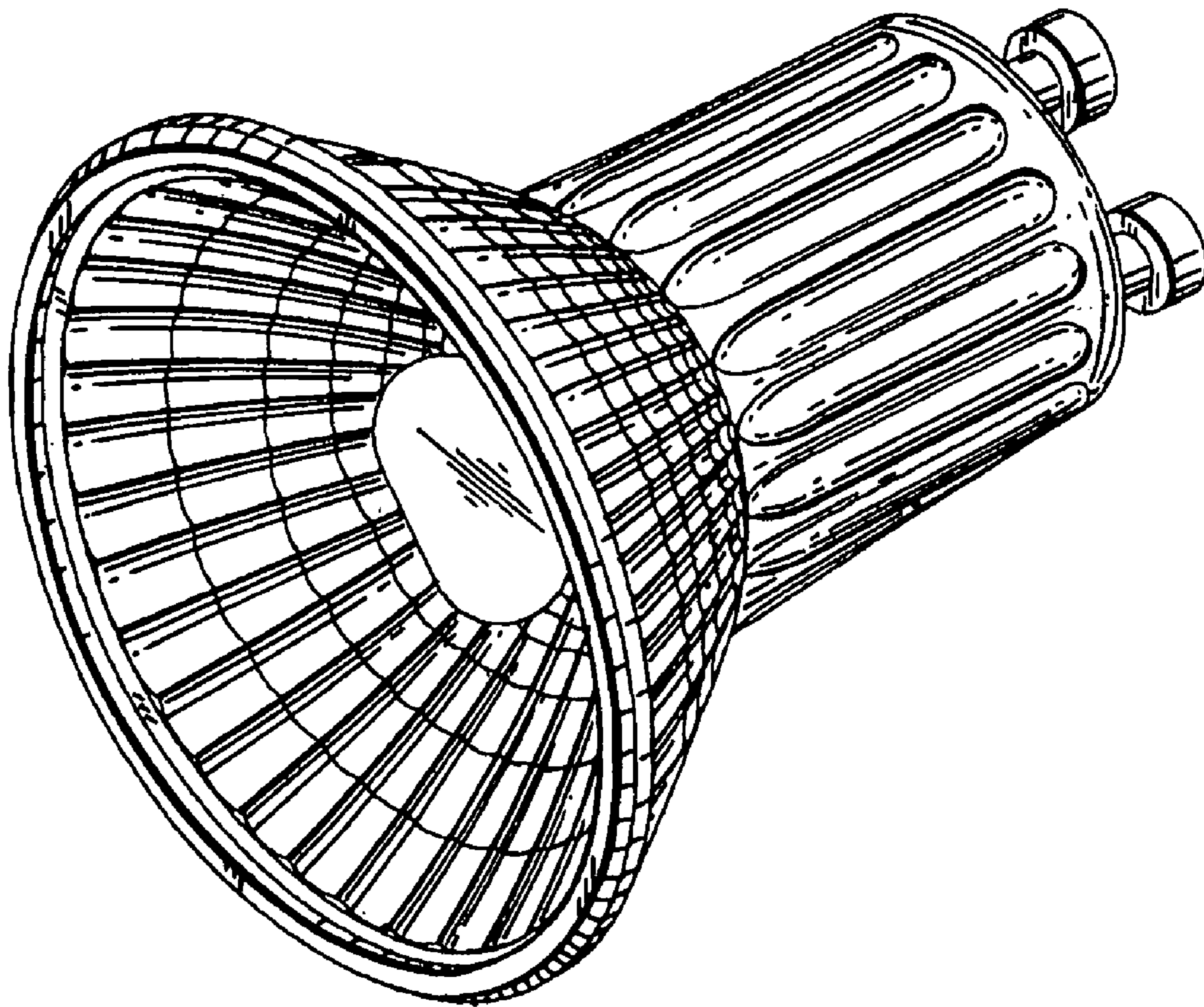


FIG. 1

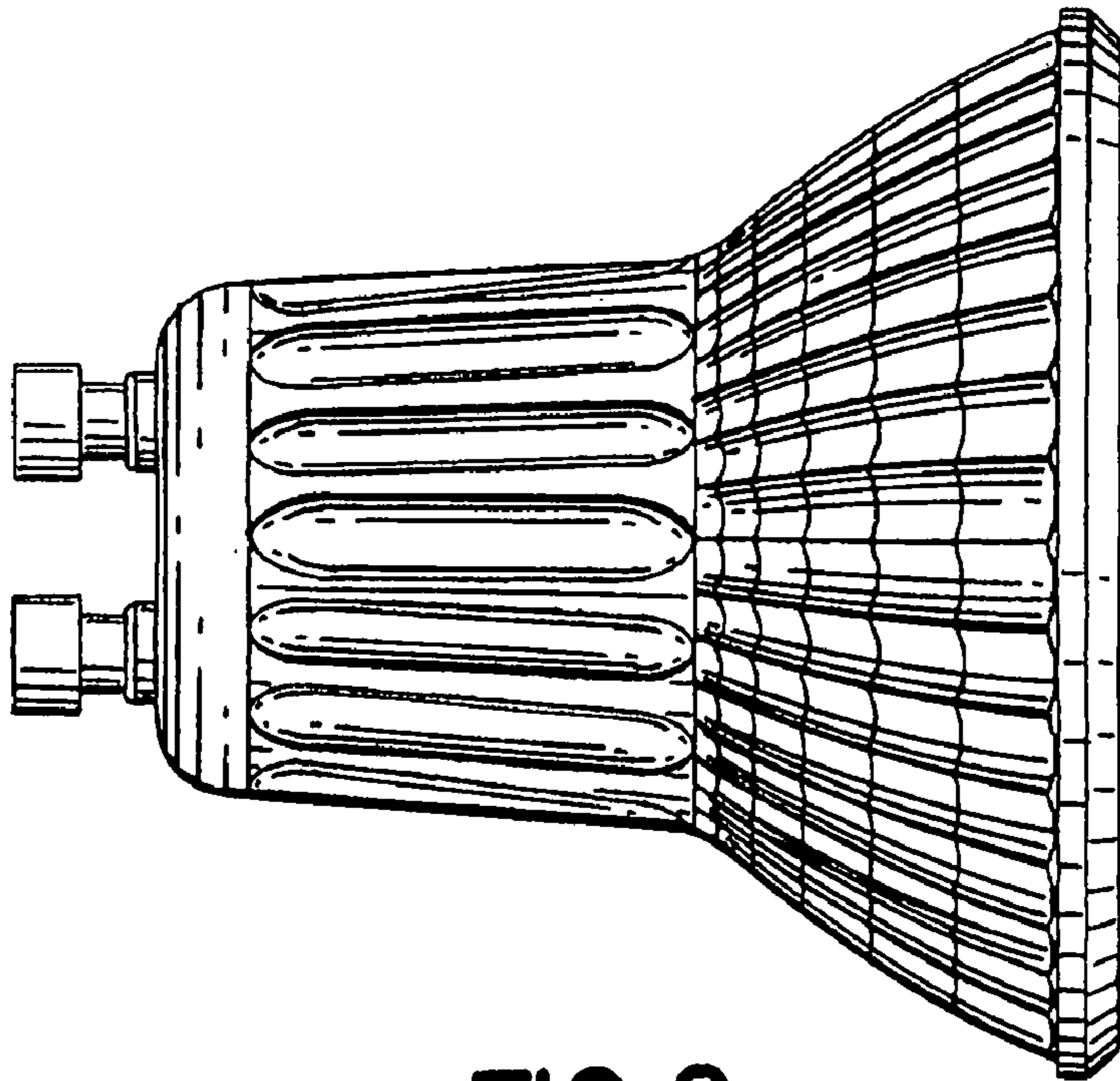


FIG. 2

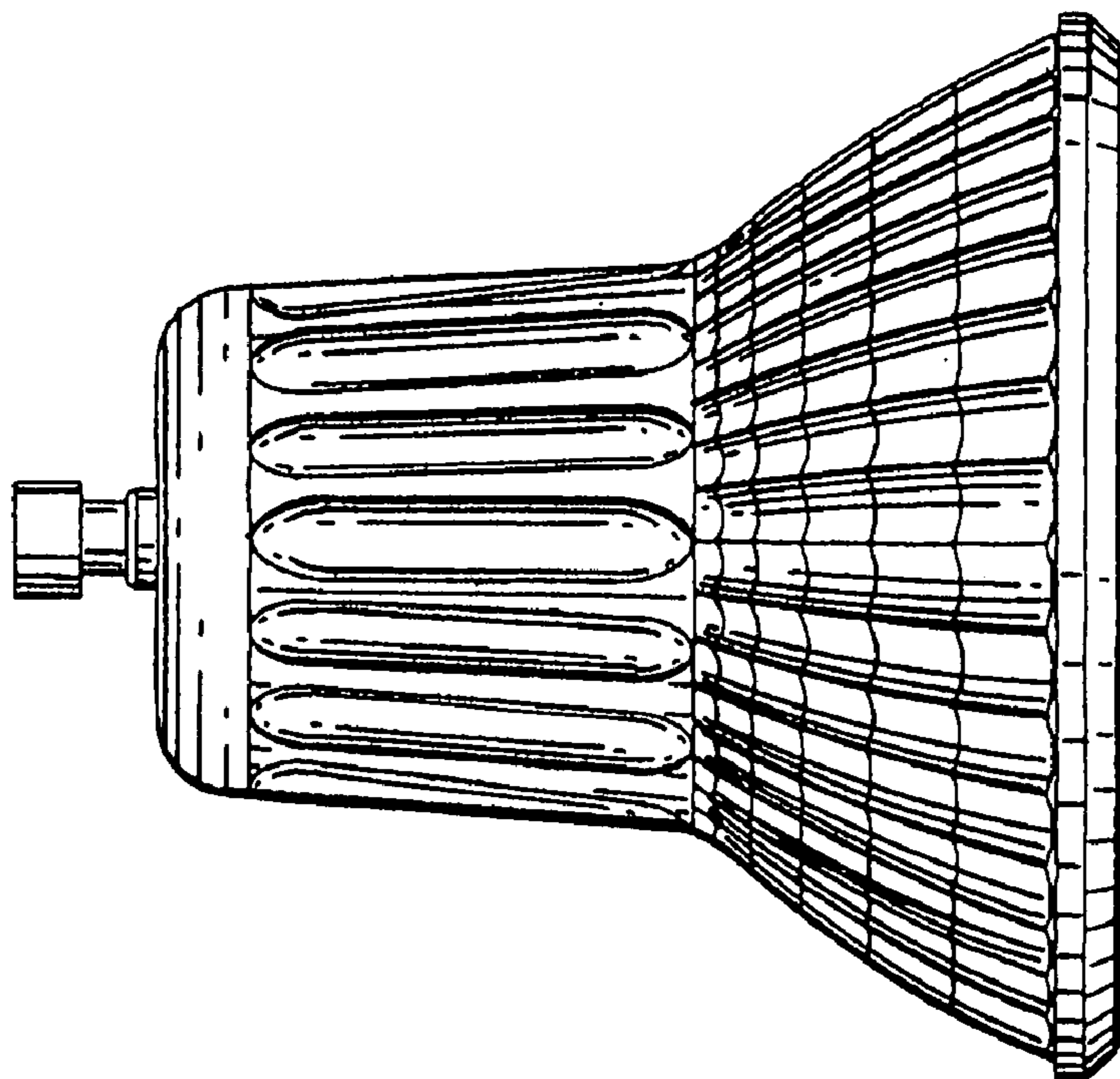


FIG. 3

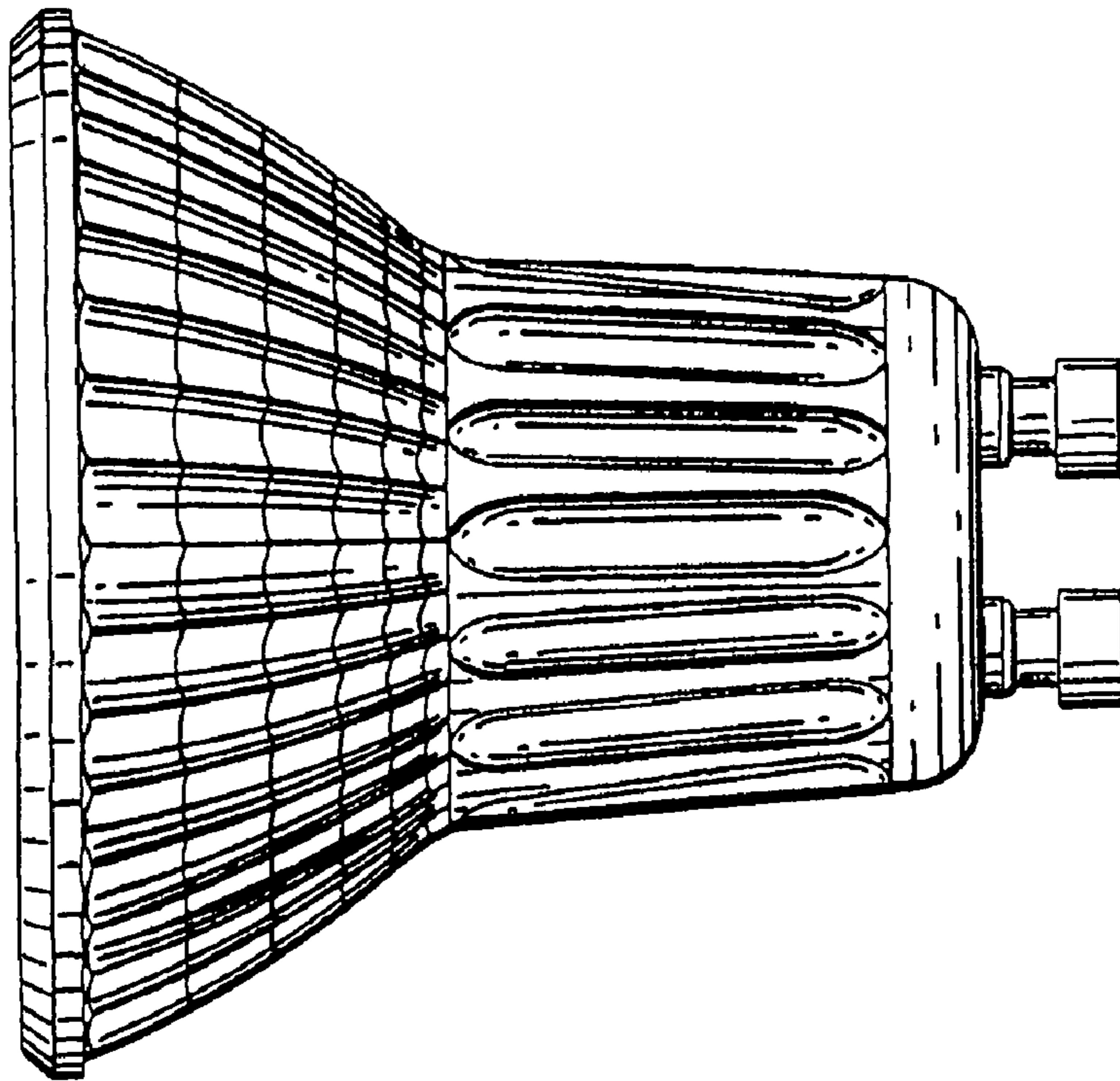


FIG. 4

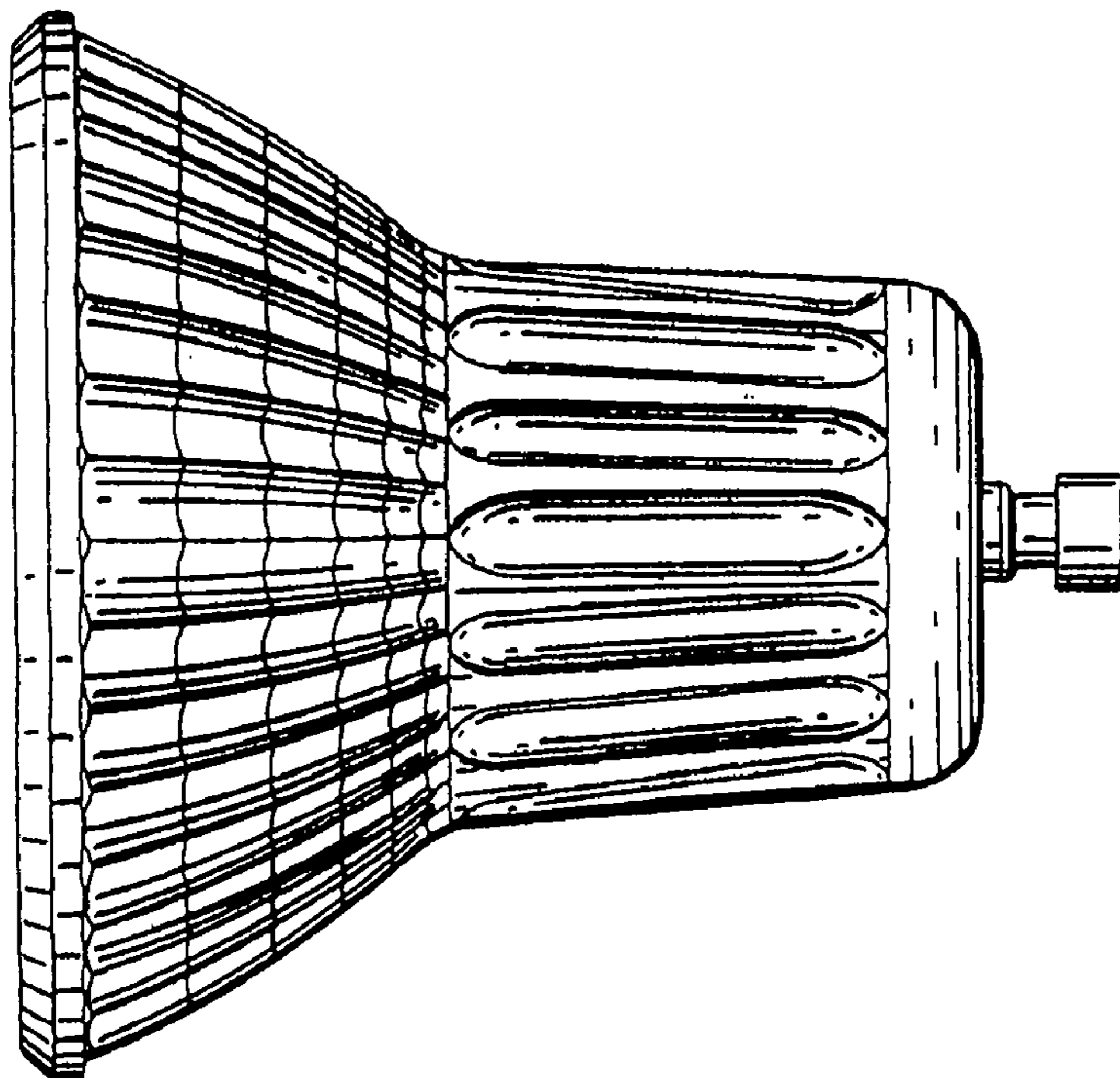


FIG. 5

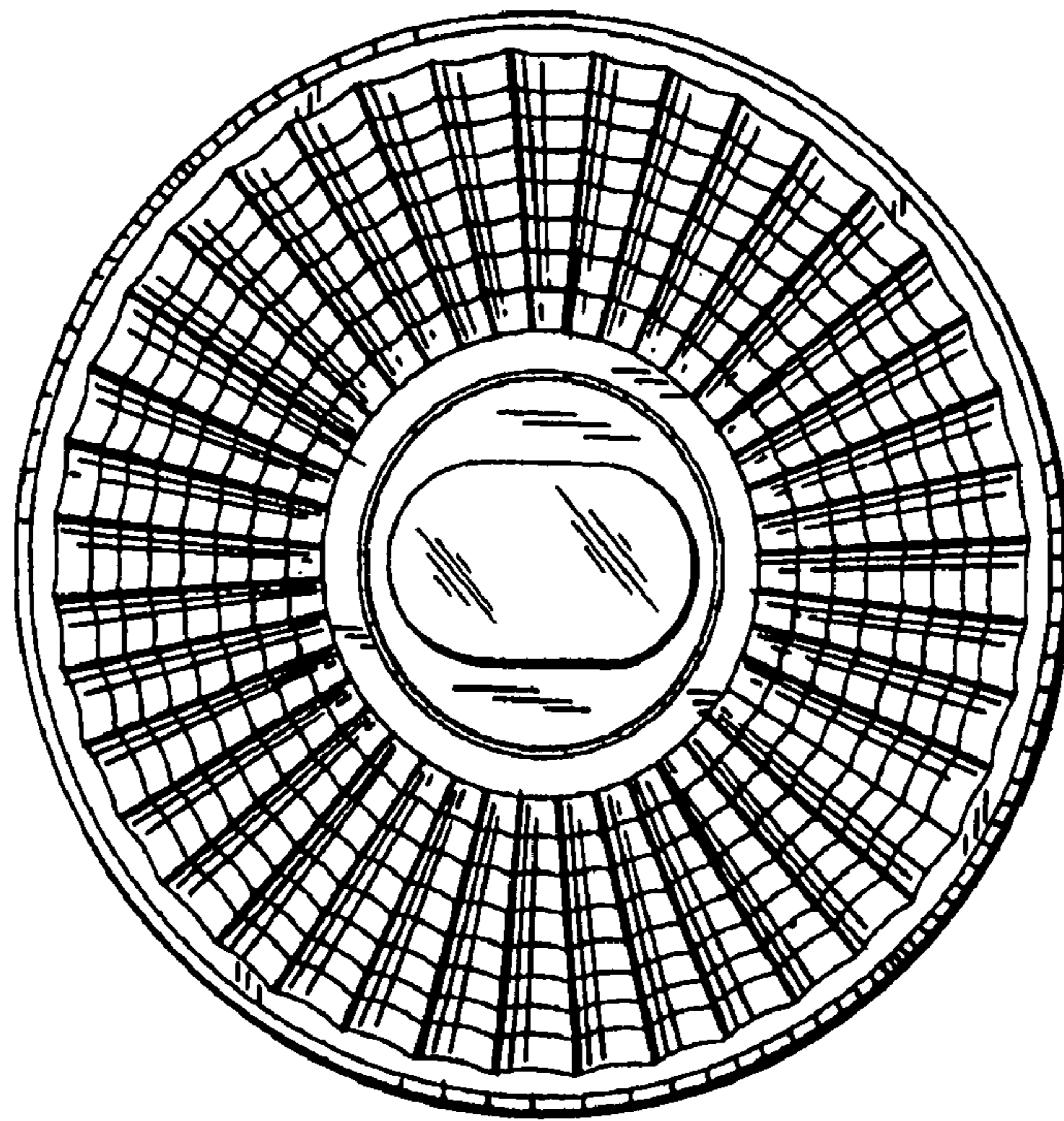


FIG. 6

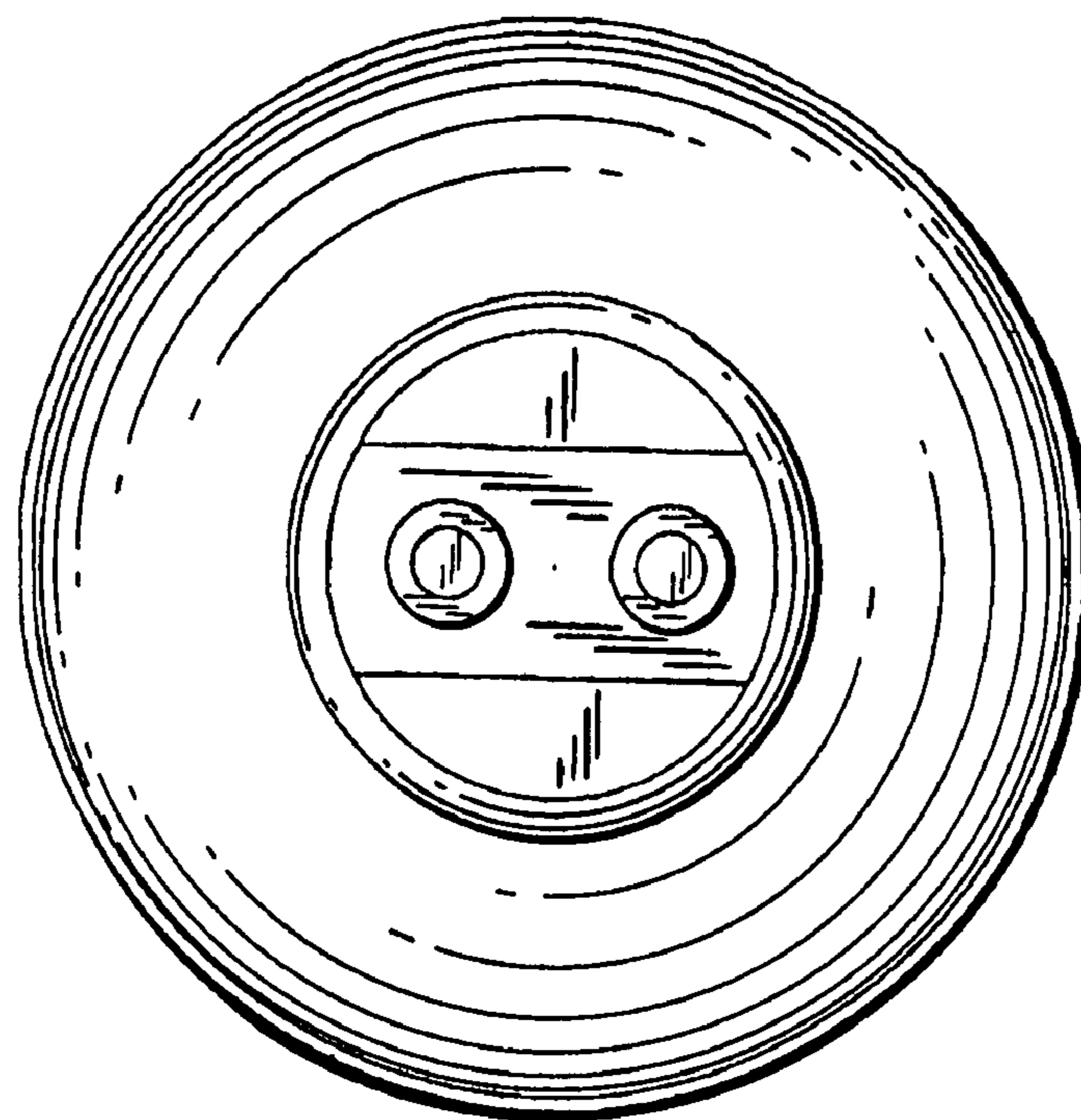


FIG. 7