



US00D568485S

(12) **United States Design Patent**  
**Ton**

(10) **Patent No.:** **US D568,485 S**  
(45) **Date of Patent:** **\*\* May 6, 2008**

(54) **PEDICURE SPA**

(57) **CLAIM**

(76) Inventor: **Quy That Ton**, 3131 Dalrymple Dr.,  
Baton Rouge, LA (US) 70815

The ornamental design for the pedicure spa, as shown and described.

(\*\*) Term: **14 Years**

**DESCRIPTION**

(21) Appl. No.: **29/263,071**

FIG. 1 is a perspective view showing the front, right, and upper side of my new pedicure spa, the broken lines shown of a chair and a portion of a basin are for illustrative purposes only and forms no part of the claimed design;

(22) Filed: **Jul. 14, 2006**

FIG. 2 is a right side view of the pedicure spa shown in FIG. 1, the left side view being a mirror image thereof, the broken lines shown of a chair and a portion of a basin are for illustrative purposes only and forms no part of the claimed design;

(51) **LOC (8) Cl.** ..... **24-04**

(52) **U.S. Cl.** ..... **D24/204; D28/56**

(58) **Field of Classification Search** ..... 4/541.1-541.6,  
4/546, 574.1, 622; D24/204, 205; D28/9,  
D28/56, 57, 61

See application file for complete search history.

FIG. 3 is a top view of the pedicure spa shown in FIG. 1, the broken lines shown of a chair and a portion of a basin are for illustrative purposes only and forms no part of the claimed design;

(56) **References Cited**

**U.S. PATENT DOCUMENTS**

D412,600	S	*	8/1999	Oh et al.	.....	D28/56
D435,937	S	*	1/2001	Back et al.	.....	D28/61
2004/0060108	A1	*	4/2004	Hoon Park	.....	4/622
2004/0177438	A1	*	9/2004	Gruewald et al.	.....	4/560.1
2006/0288478	A1	*	12/2006	Chang	.....	4/622

FIG. 4 is a front and upper side view of the pedicure spa shown in FIG. 1, the broken lines shown of a chair and a portion of a basin are for illustrative purposes only and forms no part of the claimed design; and,

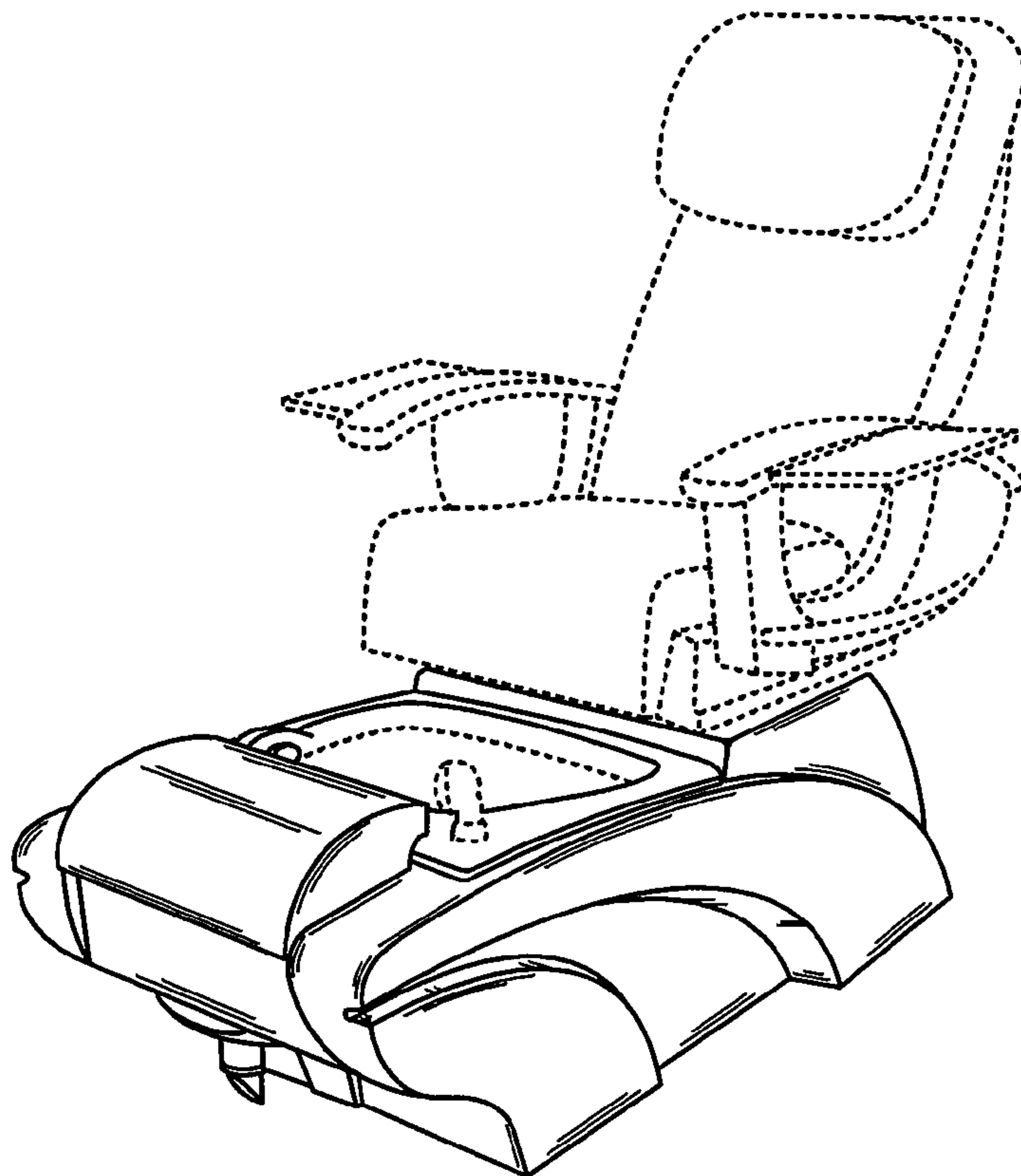
\* cited by examiner

FIG. 5 is a rear view of the pedicure spa shown in FIG. 4, the broken lines shown of a chair are for illustrative purposes only and forms no part of the claimed design.

*Primary Examiner*—Jennifer Rivard

(74) *Attorney, Agent, or Firm*—Thomas, Kayden,  
Horstemeyer & Risley, LLP

**1 Claim, 4 Drawing Sheets**



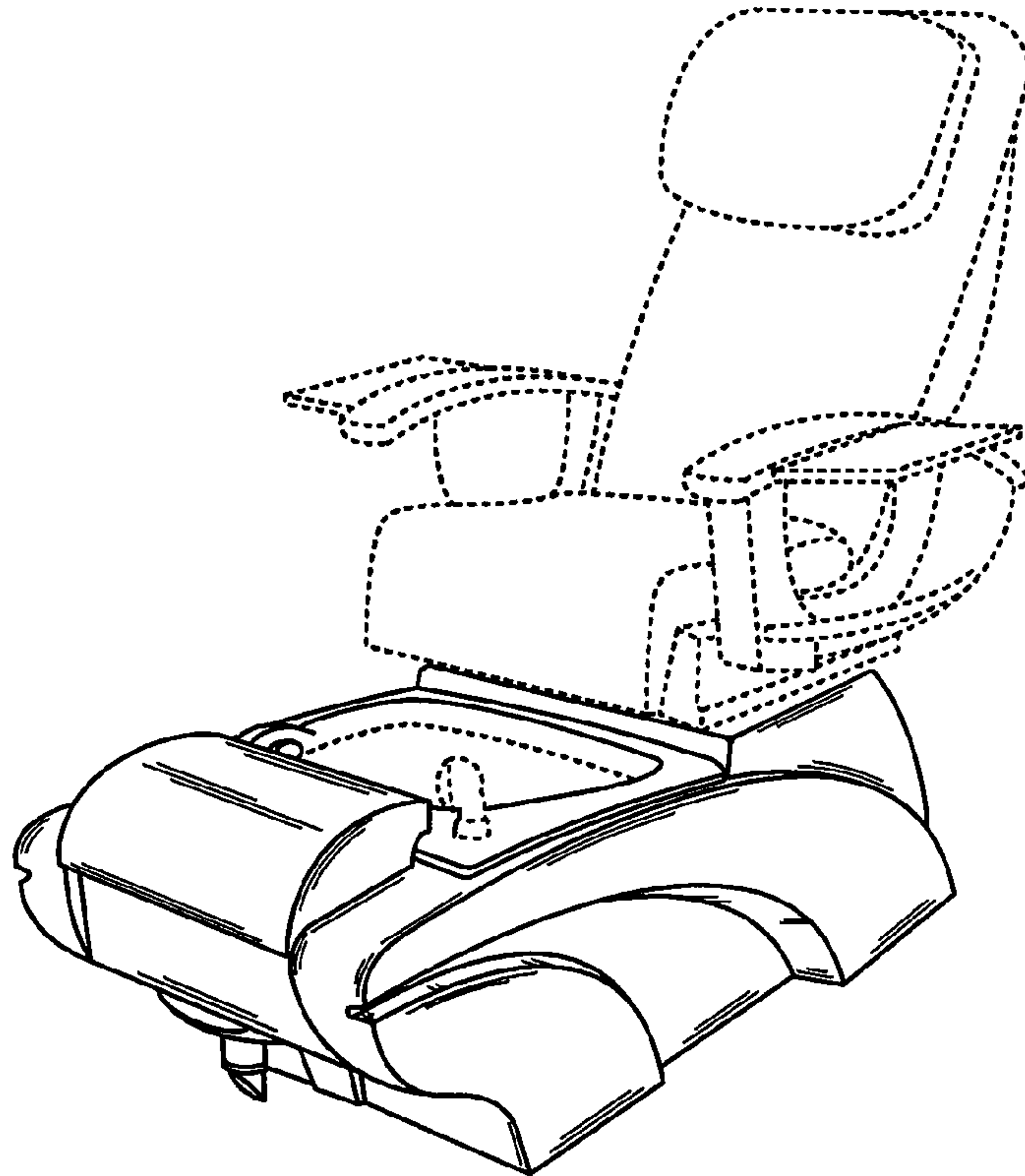


Fig. 1

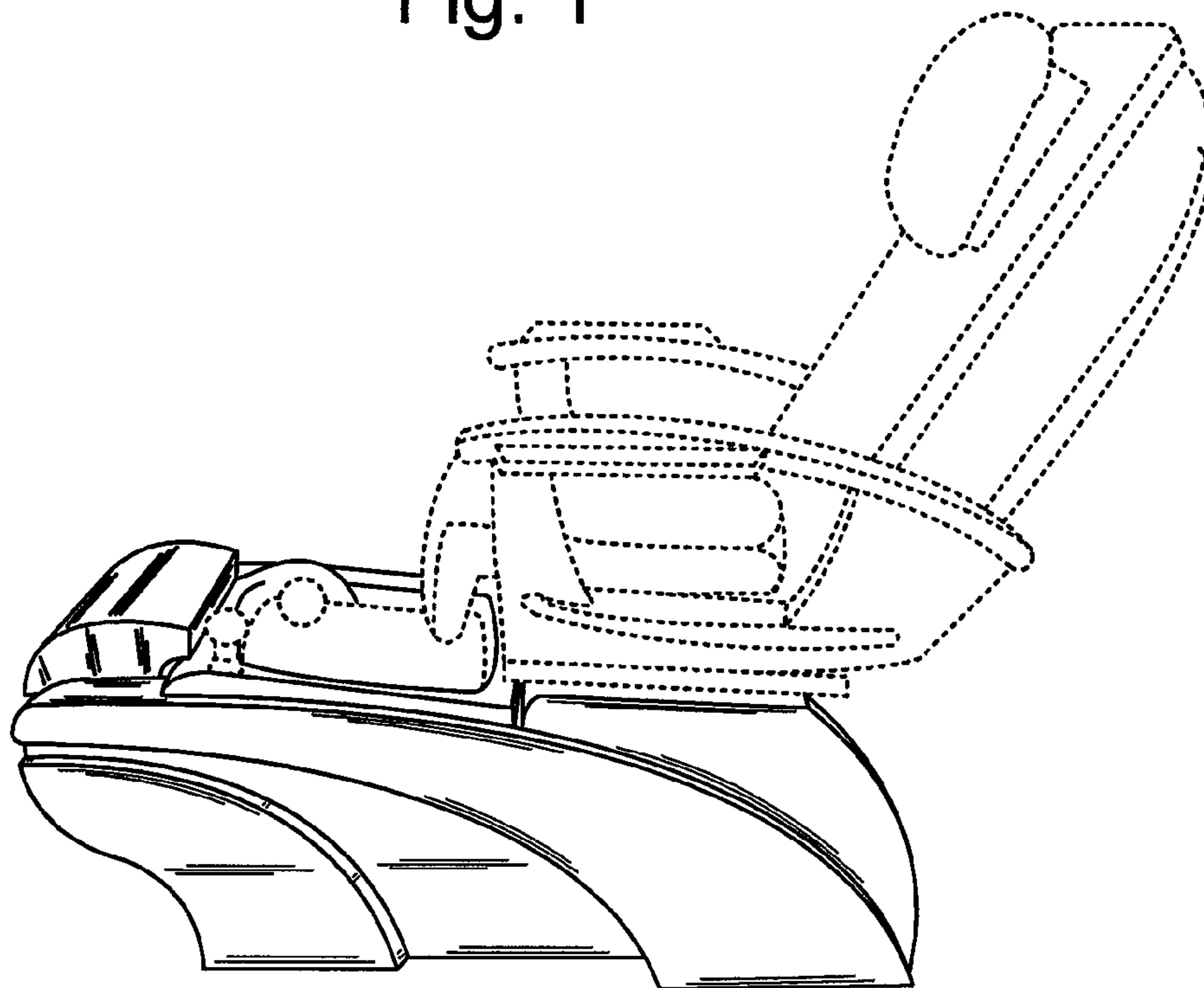


Fig. 2

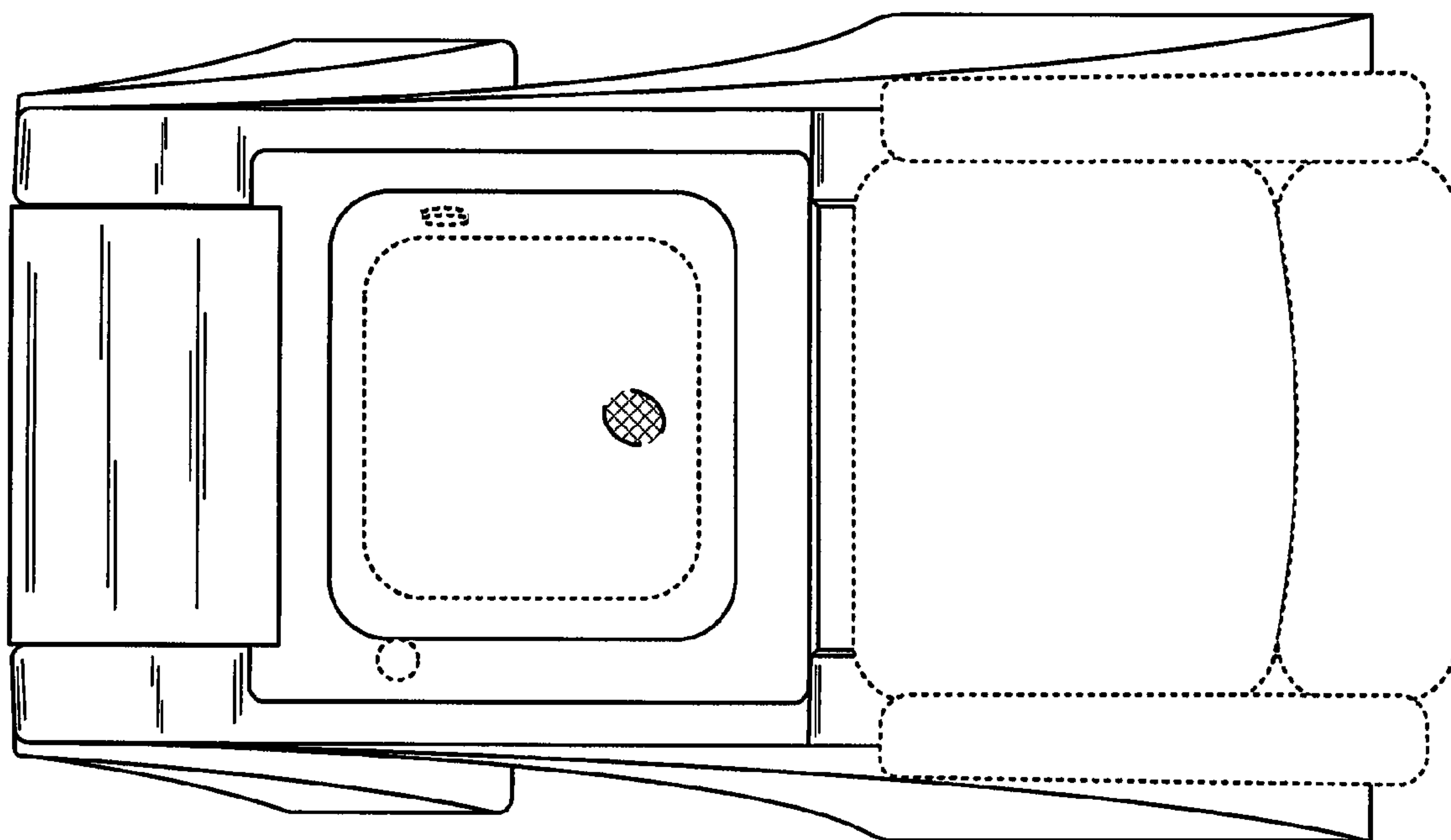


Fig. 3

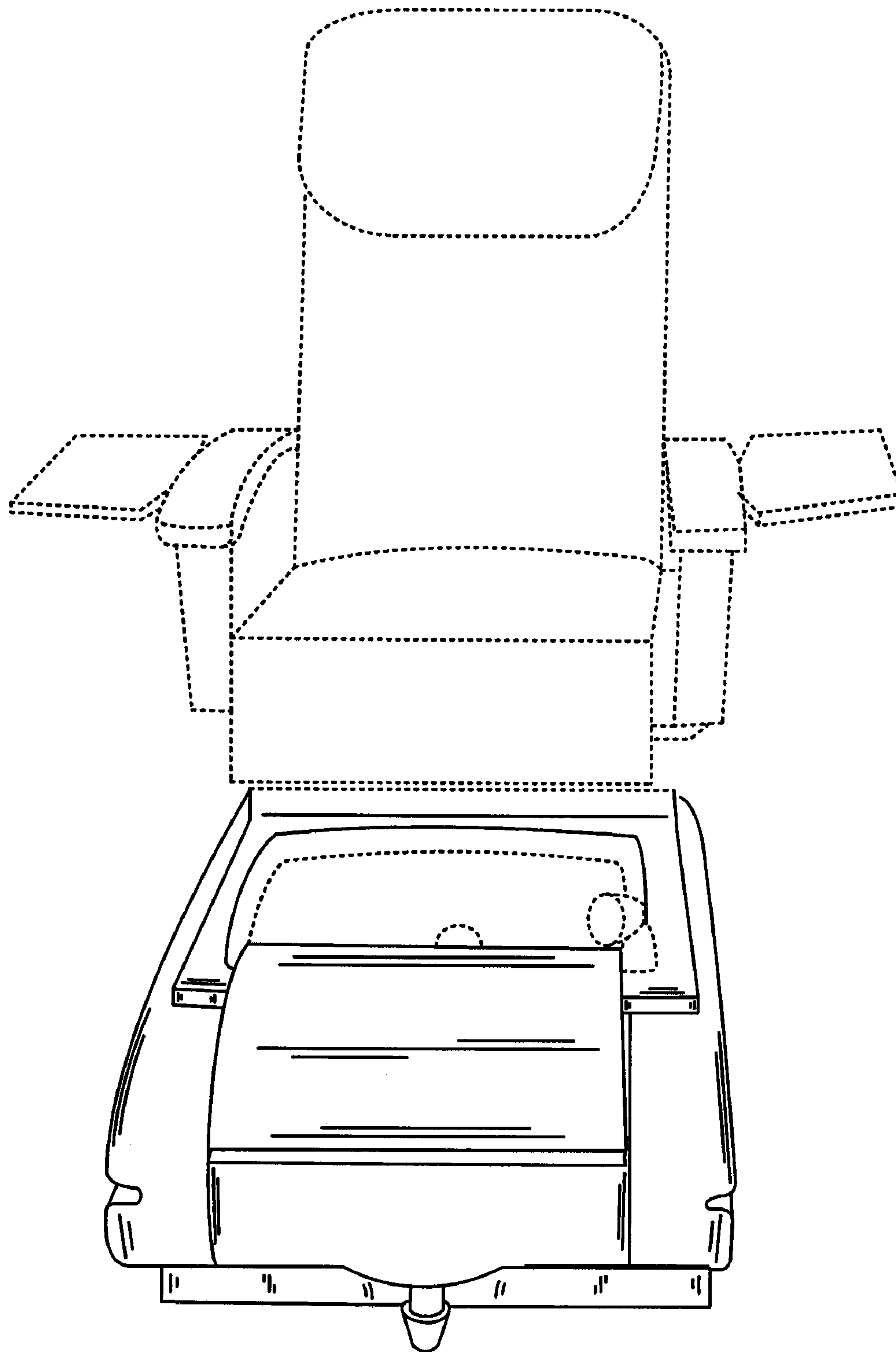


Fig. 4

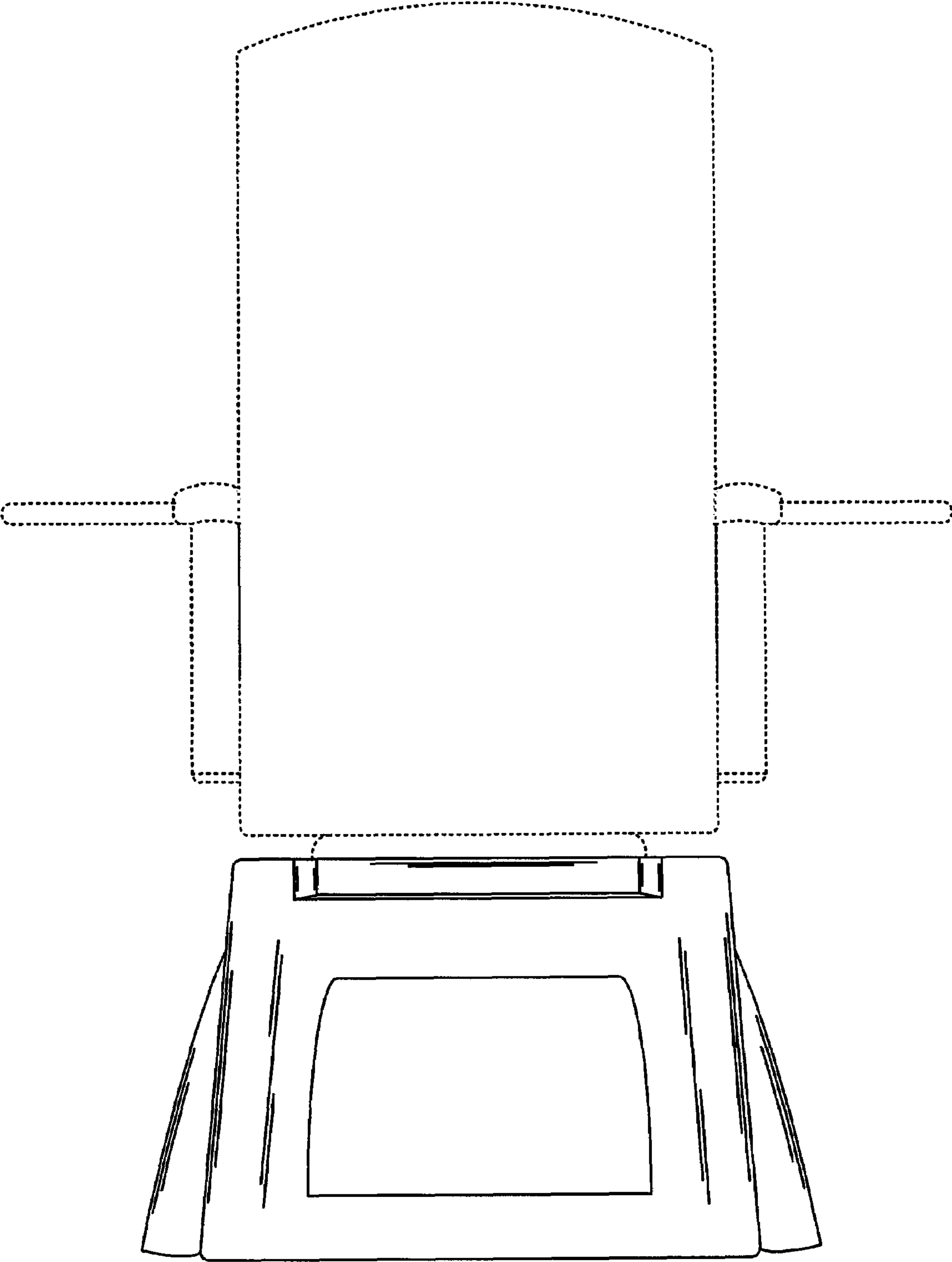


Fig. 5