

US00D568484S

(12) **United States Design Patent**
Juge et al.

(10) **Patent No.:** **US D568,484 S**

(45) **Date of Patent:** **** May 6, 2008**

(54) **FOUR CELL INTEGRATED TRANSDUCER**

(75) Inventors: **Jean-Claude Juge**, Marseilles (FR);
Colette Soler, Marseilles (FR)

(73) Assignee: **Societe Utrilog International J & Co**,
Marseilles (FR)

(**) Term: **14 Years**

(21) Appl. No.: **29/203,348**

(22) Filed: **Apr. 14, 2004**

(30) **Foreign Application Priority Data**

Jan. 29, 2004 (EM) 000136635

(51) **LOC (8) Cl.** **24-02**

(52) **U.S. Cl.** **D24/200**

(58) **Field of Classification Search** D24/110,
D24/133, 200-215; D11/1-5, 12-14, 18-21,
D11/26-41; 63/13-15.9, 26-28; 128/24-36,
128/59, 842, 844; 601/46, 78, 80-85, 112,
601/118-119, 126-137; 600/38; 33/566;
273/157, 276, 440, 153-160; D21/108-114,
D21/386, 503; D20/22-28; D25/52-63;
446/104-128, 476, 479

See application file for complete search history.

(56) **References Cited**

U.S. PATENT DOCUMENTS

D211,840 S * 7/1968 Leverenz D24/200
3,903,498 A * 9/1975 Jacobs et al. 367/7

D259,737 S * 6/1981 Kitai et al. D13/110
D280,341 S * 8/1985 Carlisle D24/200
D282,968 S * 3/1986 Dickhudt D24/200
4,822,027 A * 4/1989 Kascak 482/46
D327,328 S * 6/1992 Luce et al. D24/188
D413,389 S * 8/1999 Owen, Jr. D24/206
D425,996 S * 5/2000 Owen, Jr. D24/206

* cited by examiner

Primary Examiner—Robert M. Spear

Assistant Examiner—Susan E Krakower

(74) *Attorney, Agent, or Firm*—Buchanan Ingersoll &
Rooney PC

(57) **CLAIM**

The ornamental design for a four cell integrated transducer,
as shown and described.

DESCRIPTION

FIG. 1 is a rear perspective view of a four cell integrated
transducer showing our new design.

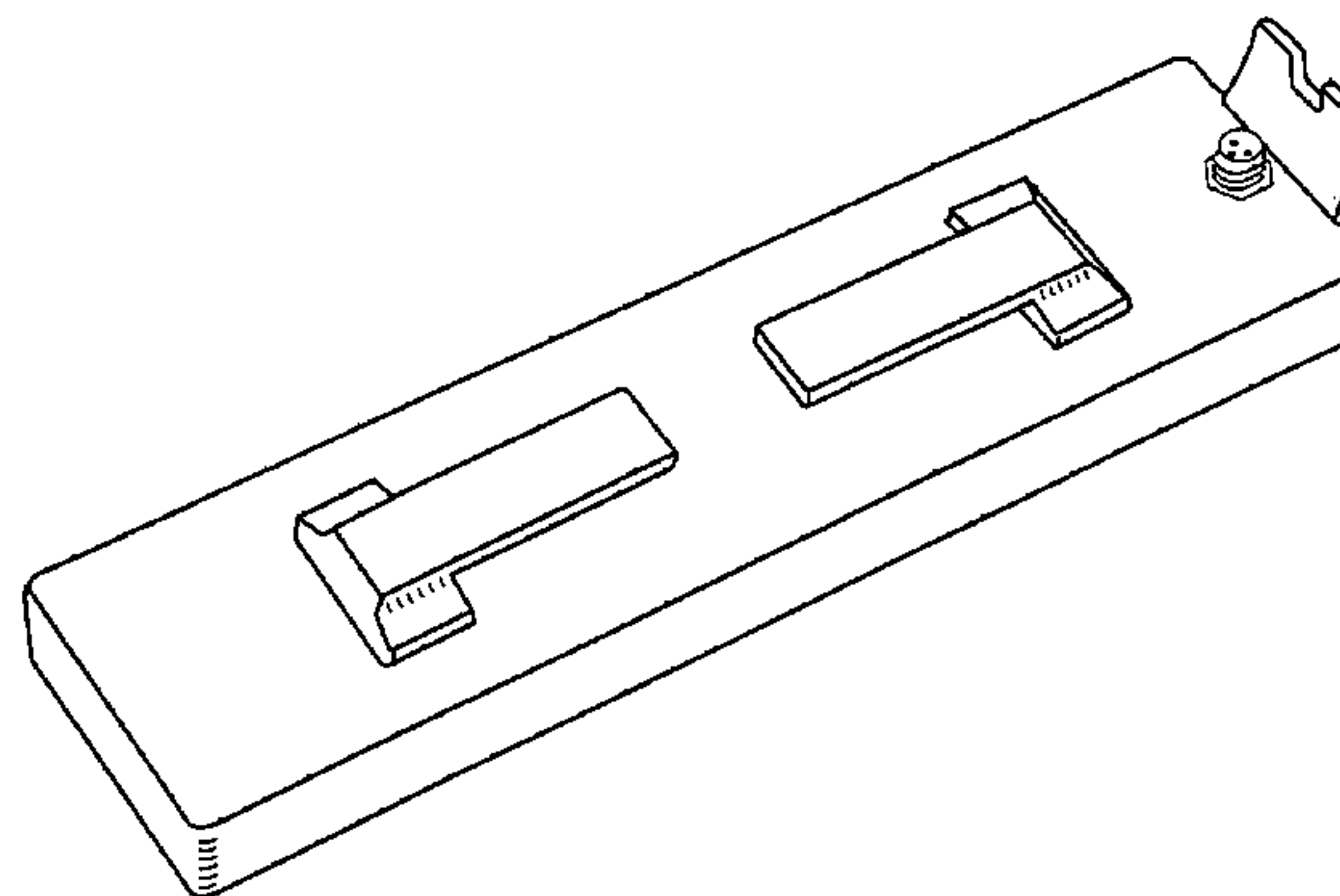
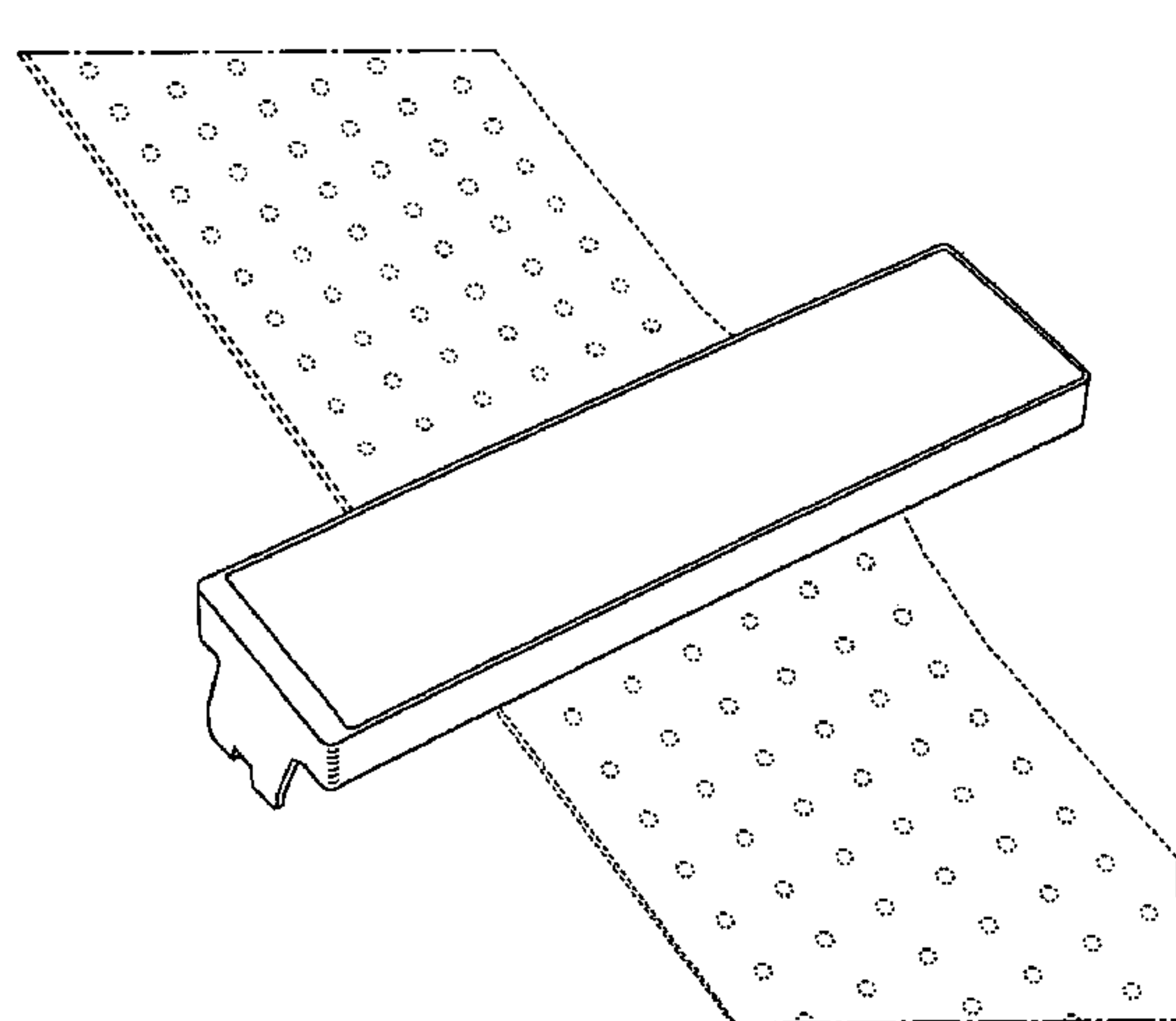
FIG. 2 is a rear perspective view thereof with the perforated
material form.

FIG. 3 is a front perspective view thereof; and,

FIG. 4 is a front perspective view thereof with the perforated
material form.

The broken line showing of the perforated material form is
for illustrational purposed only and forms no part of the
claimed design.

1 Claim, 4 Drawing Sheets



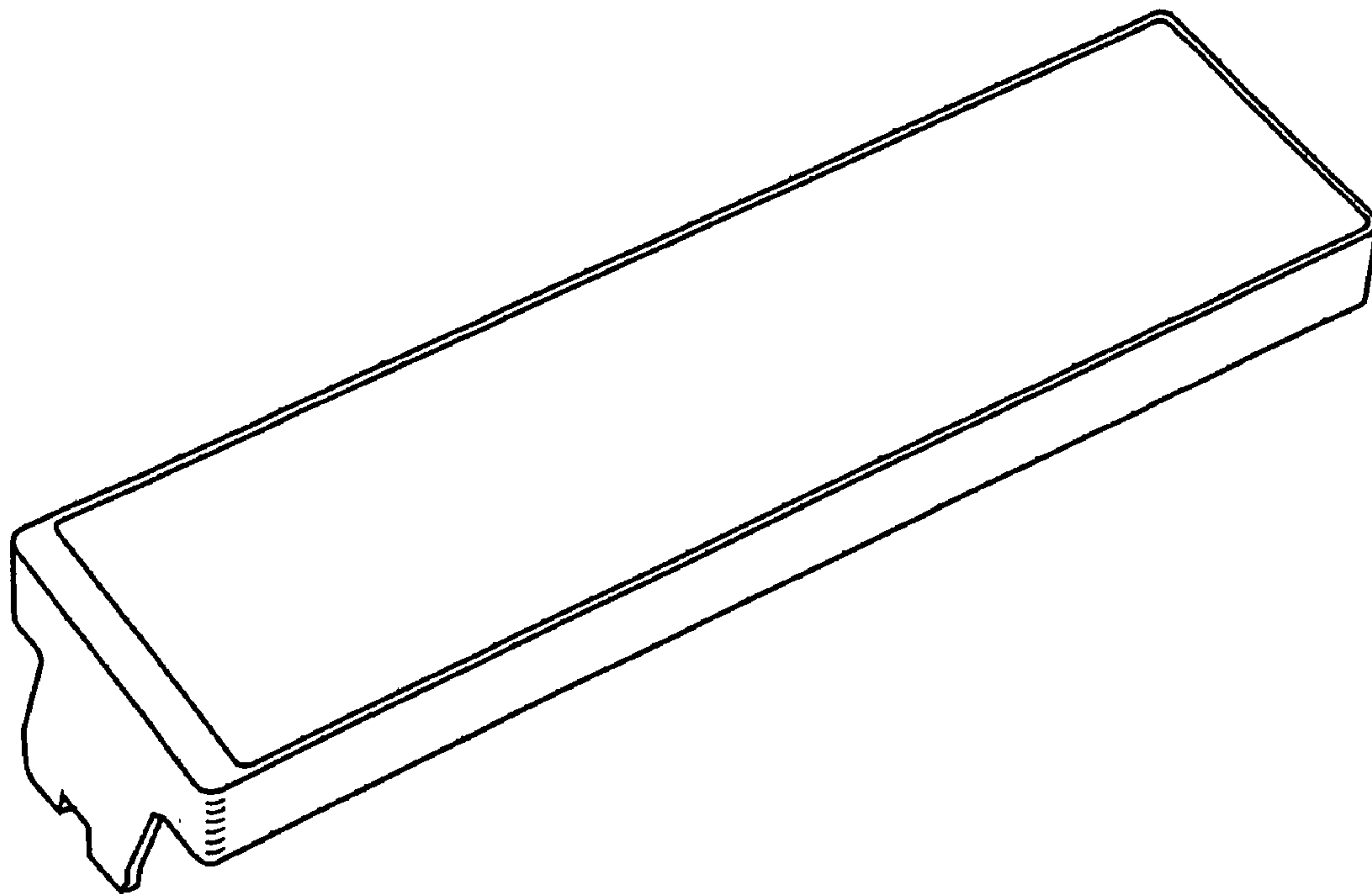


Fig.1

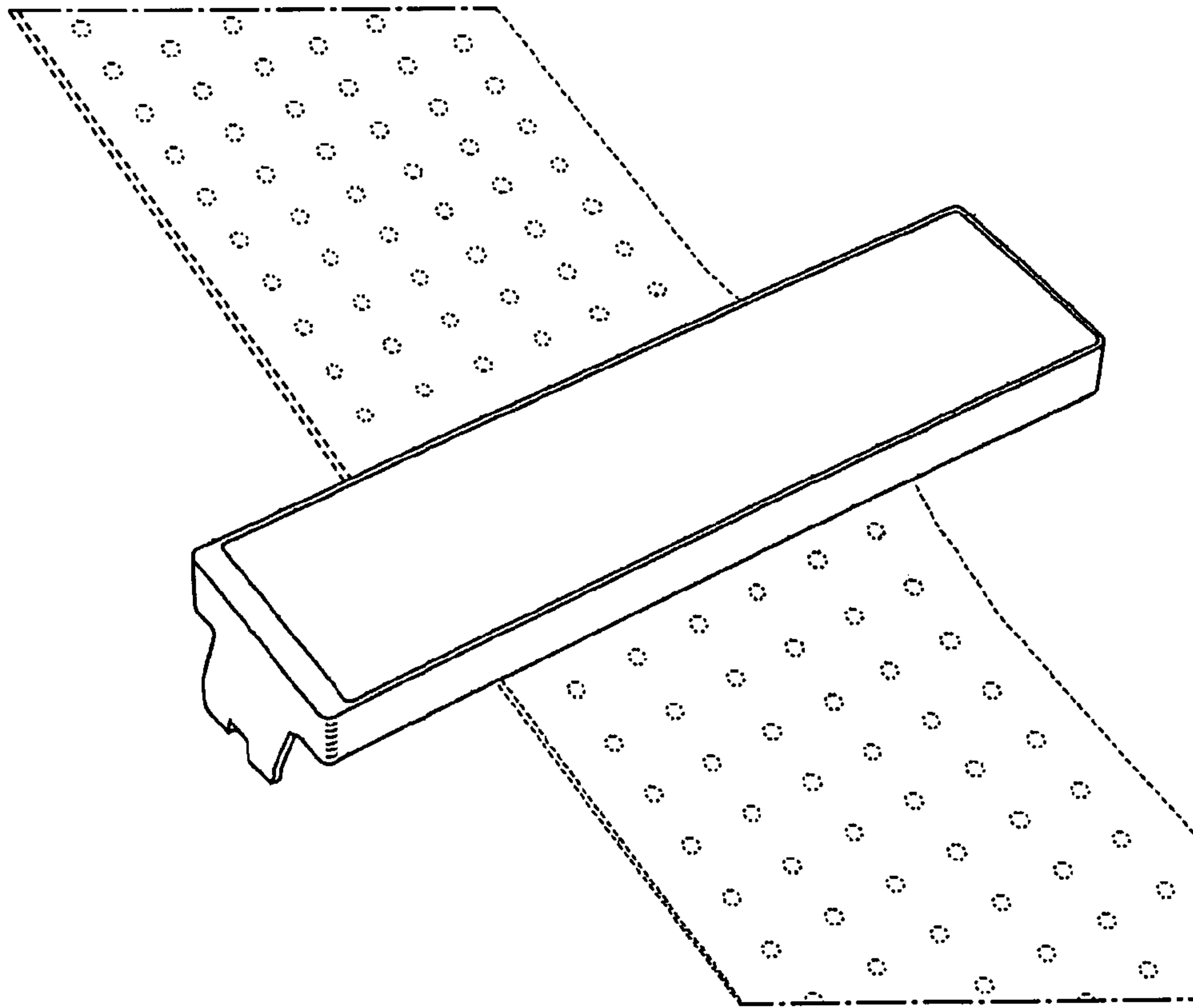


Fig. 2

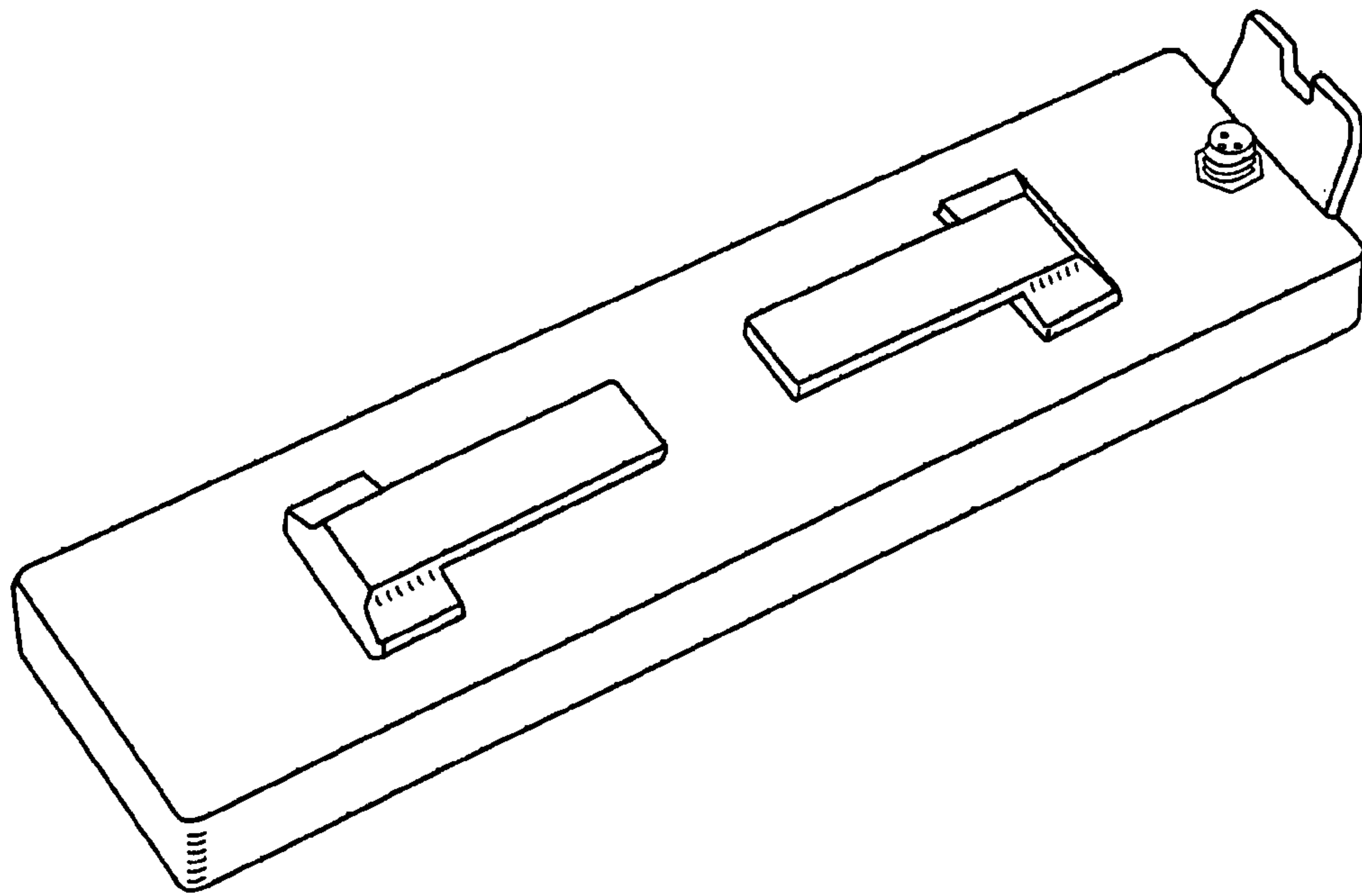


Fig.3

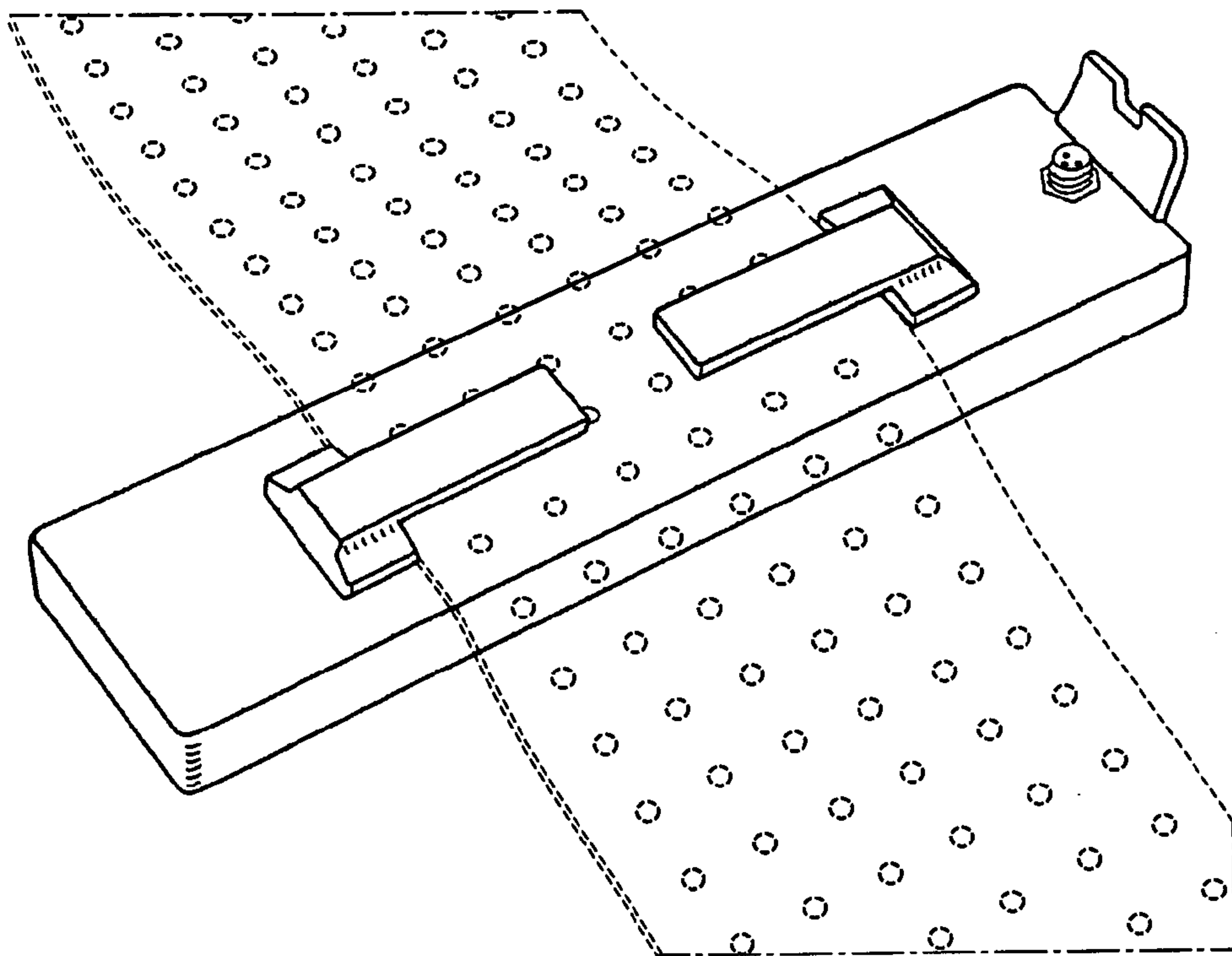


Fig. 4