



US00D568481S

(12) **United States Design Patent**  
**Martinson**

(10) **Patent No.:** **US D568,481 S**

(45) **Date of Patent:** **\*\* May 6, 2008**

(54) **DIGITAL RADIOGRAPHY SYSTEM  
COWLING**

6,626,445 B2 \* 9/2003 Murphy et al. .... 312/209  
6,629,927 B1 \* 10/2003 Mesaros et al. .... 600/437  
D517,768 S \* 3/2006 Arceta ..... D24/185

(76) Inventor: **Timothy Martinson**, 720 S. Powerline  
Rd., Suite E, Deerfield Beach, FL (US)  
33442

\* cited by examiner

*Primary Examiner*—Robert A. Delehanty

*Assistant Examiner*—Mark Cavanna

(74) *Attorney, Agent, or Firm*—Malloy & Malloy, P.A.

(\*\*) Term: **14 Years**

(21) Appl. No.: **29/262,454**

(57) **CLAIM**

(22) Filed: **Jun. 30, 2006**

The ornamental design for digital radiography system cowl-  
ing, as shown and described.

(51) **LOC (8) Cl.** ..... **24-01**

(52) **U.S. Cl.** ..... **D24/185**

(58) **Field of Classification Search** ..... D24/107–108,  
D24/111, 144, 160, 167, 169, 172, 185–186,  
D24/231–232; D34/12, 14; 280/47.34;  
312/209, 223.1–223.2, 249.12; 600/437,  
600/443; 606/32–34

See application file for complete search history.

**DESCRIPTION**

FIG. 1 is a front perspective view illustrating my design for  
a digital radiography system cowl-  
ing;

FIG. 2 is a front view thereof;

FIG. 3 is a left side view thereof;

FIG. 4 is a top view thereof;

FIG. 5 is a right side view thereof;

FIG. 6 is a bottom view thereof;

FIG. 7 is a rear view thereof; and,

FIG. 8 is a front perspective view in partial phantom in  
exploded form.

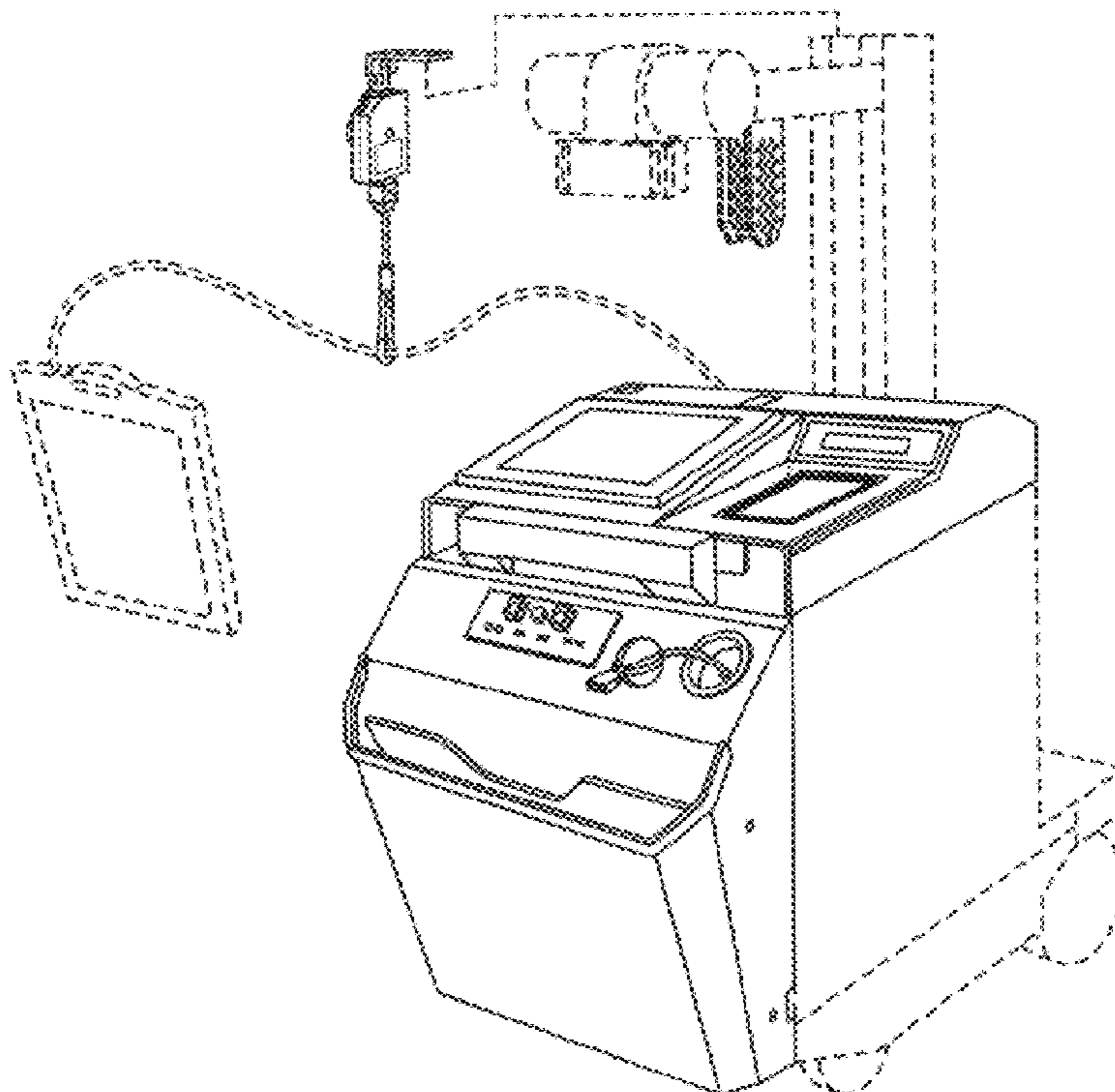
The broken lines shown are for illustrative purposes only  
and form no part of the claimed design.

(56) **References Cited**

U.S. PATENT DOCUMENTS

4,625,731 A \* 12/1986 Quedens et al. .... 600/443  
D300,241 S \* 3/1989 LaCelle et al. .... D24/160  
D347,896 S \* 6/1994 Dickinson et al. .... D24/185  
D387,168 S \* 12/1997 Edelman et al. .... D24/186  
D410,544 S \* 6/1999 Metzler et al. .... D24/172  
6,022,088 A \* 2/2000 Metzler ..... 312/209  
D438,952 S \* 3/2001 Cimino et al. .... D24/107  
D447,567 S \* 9/2001 Murphy et al. .... D24/172  
D467,001 S \* 12/2002 Buczek et al. .... D24/172

**1 Claim, 5 Drawing Sheets**



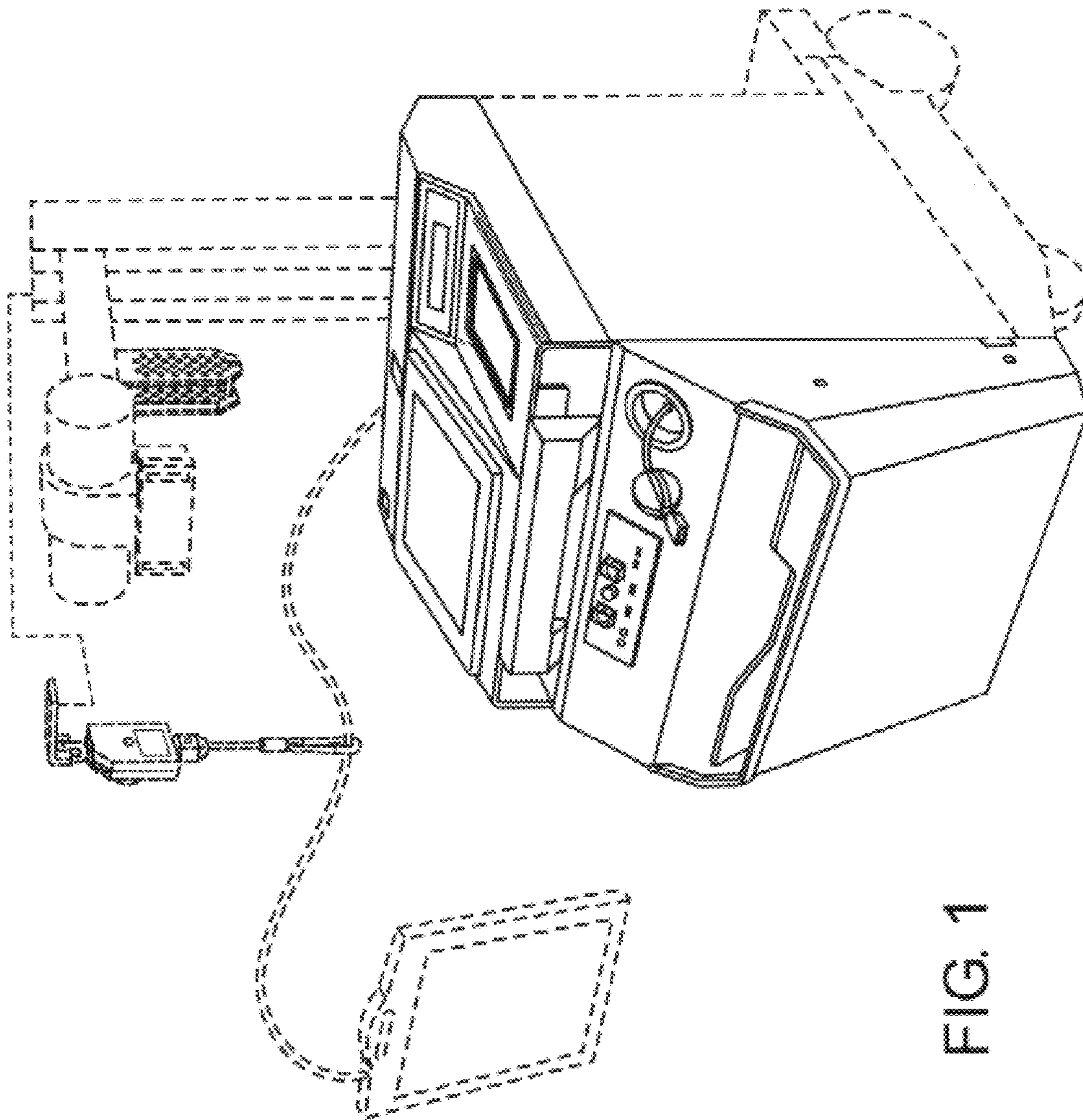


FIG. 1

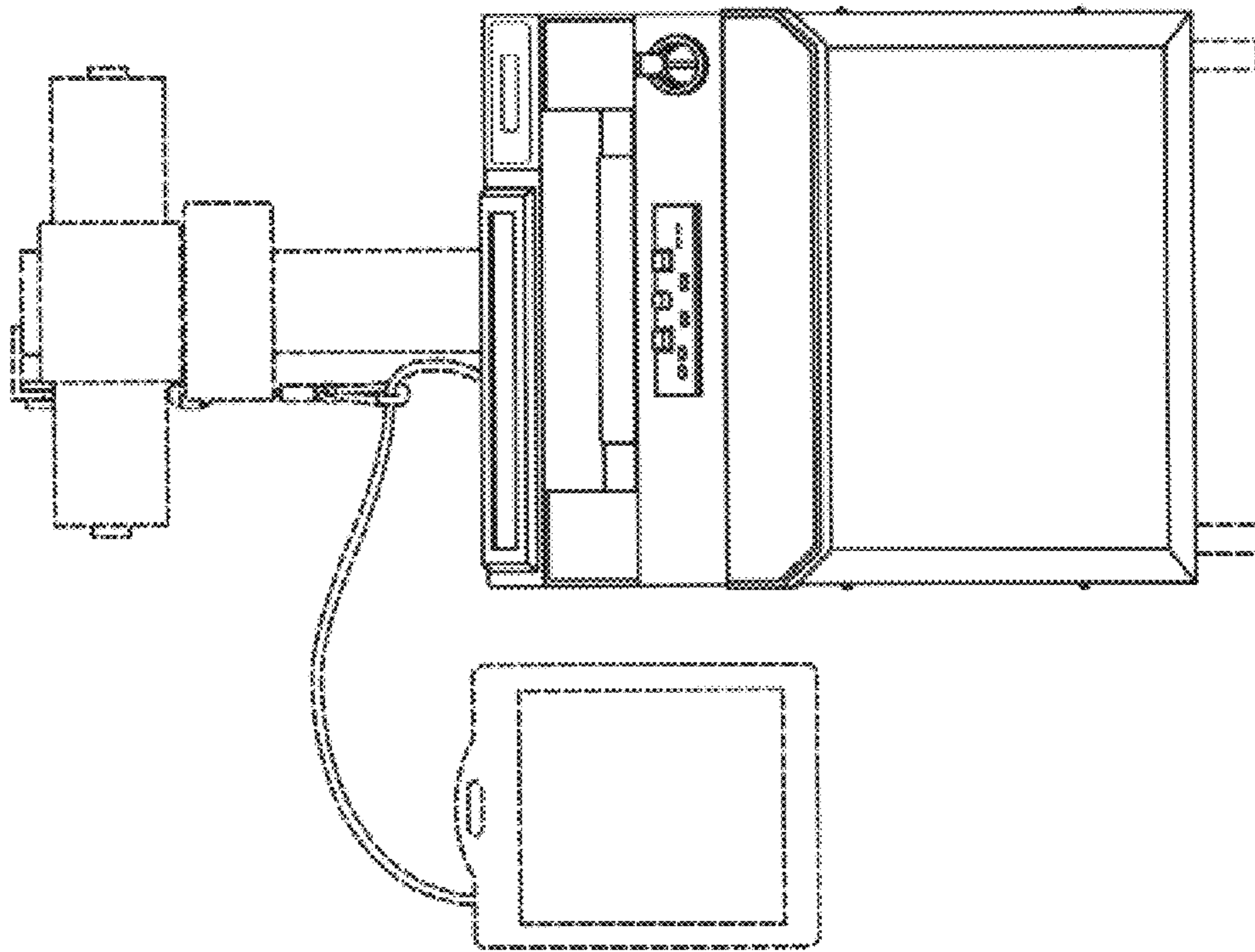


FIG. 2

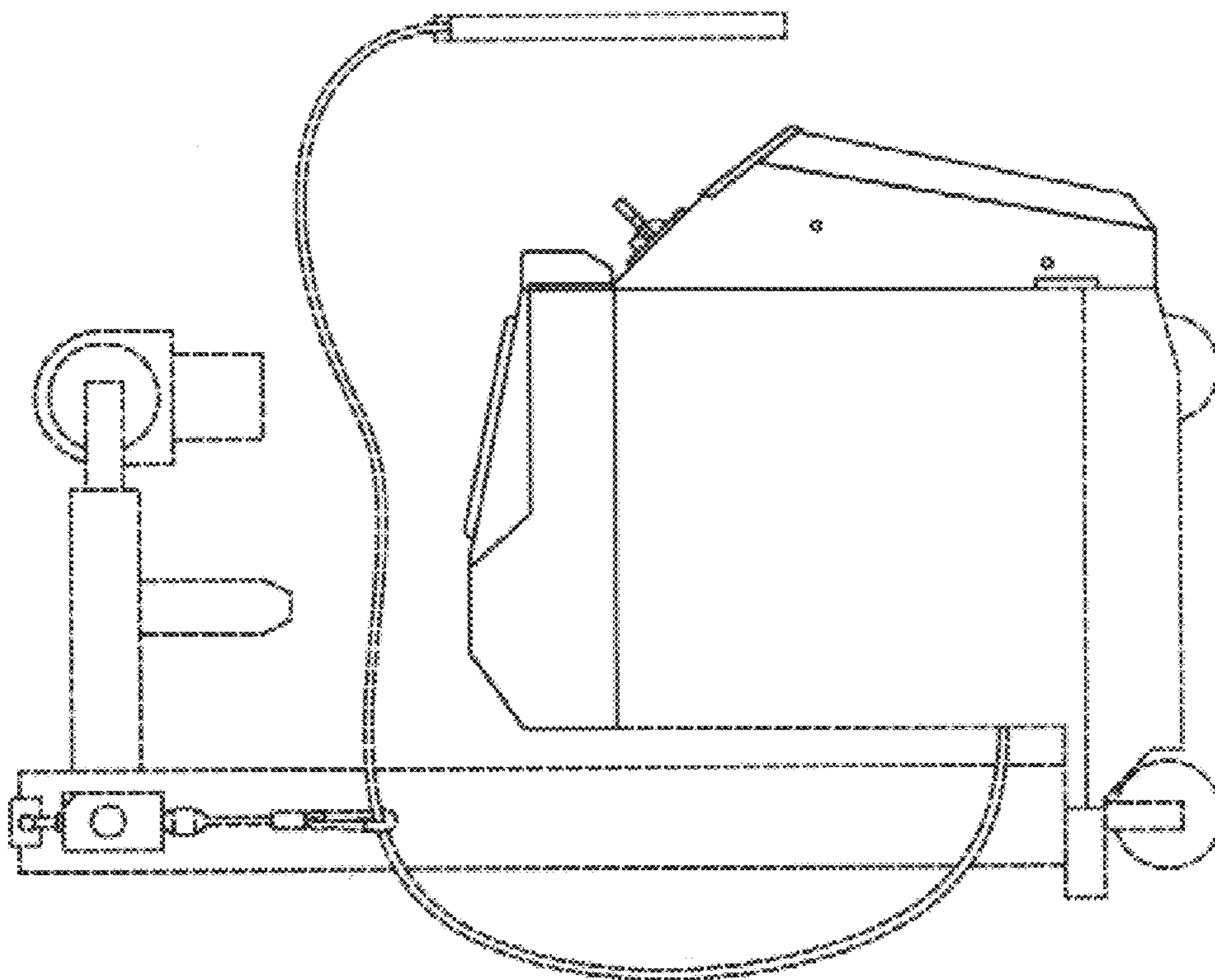


FIG. 3

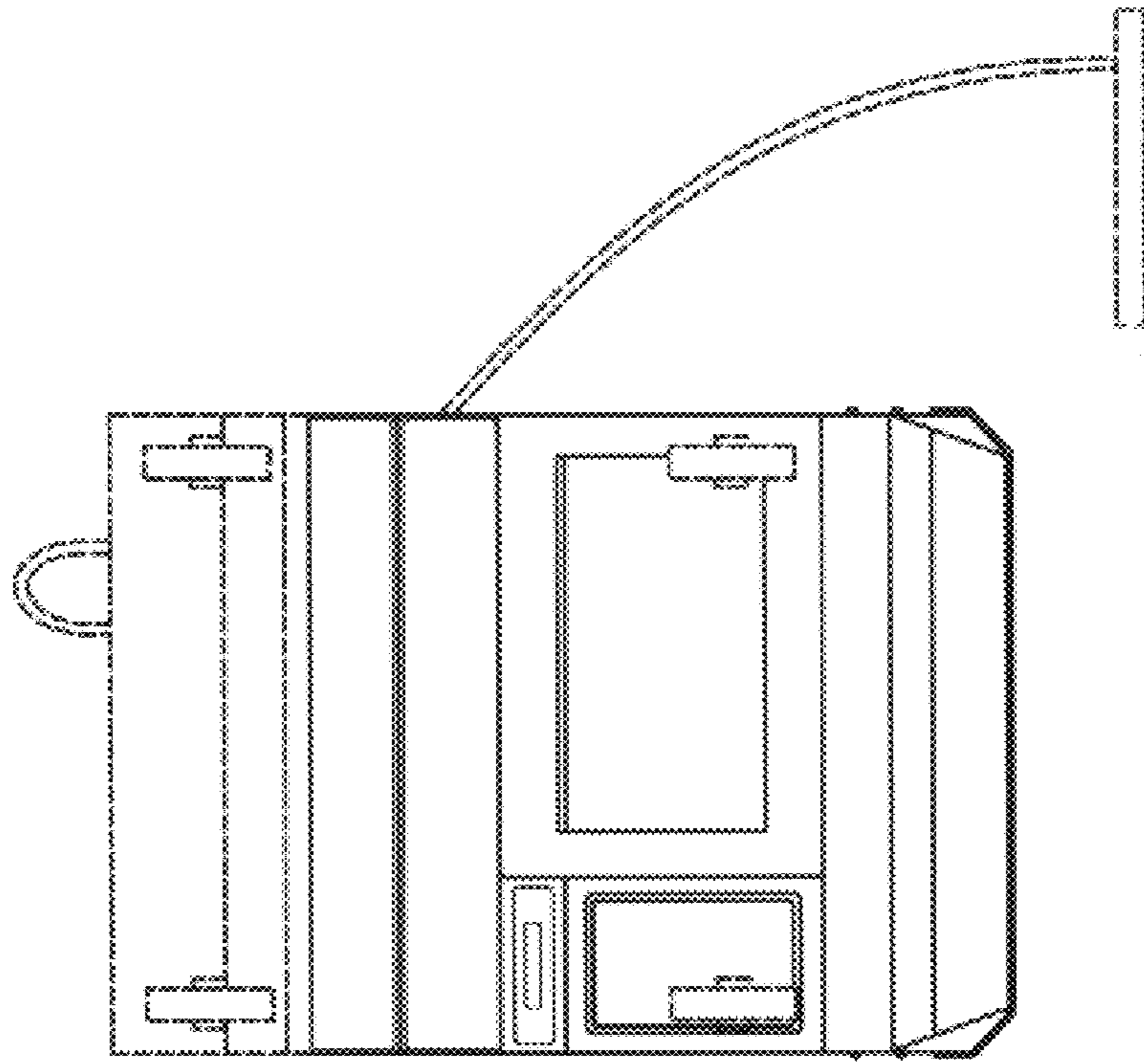


FIG. 6

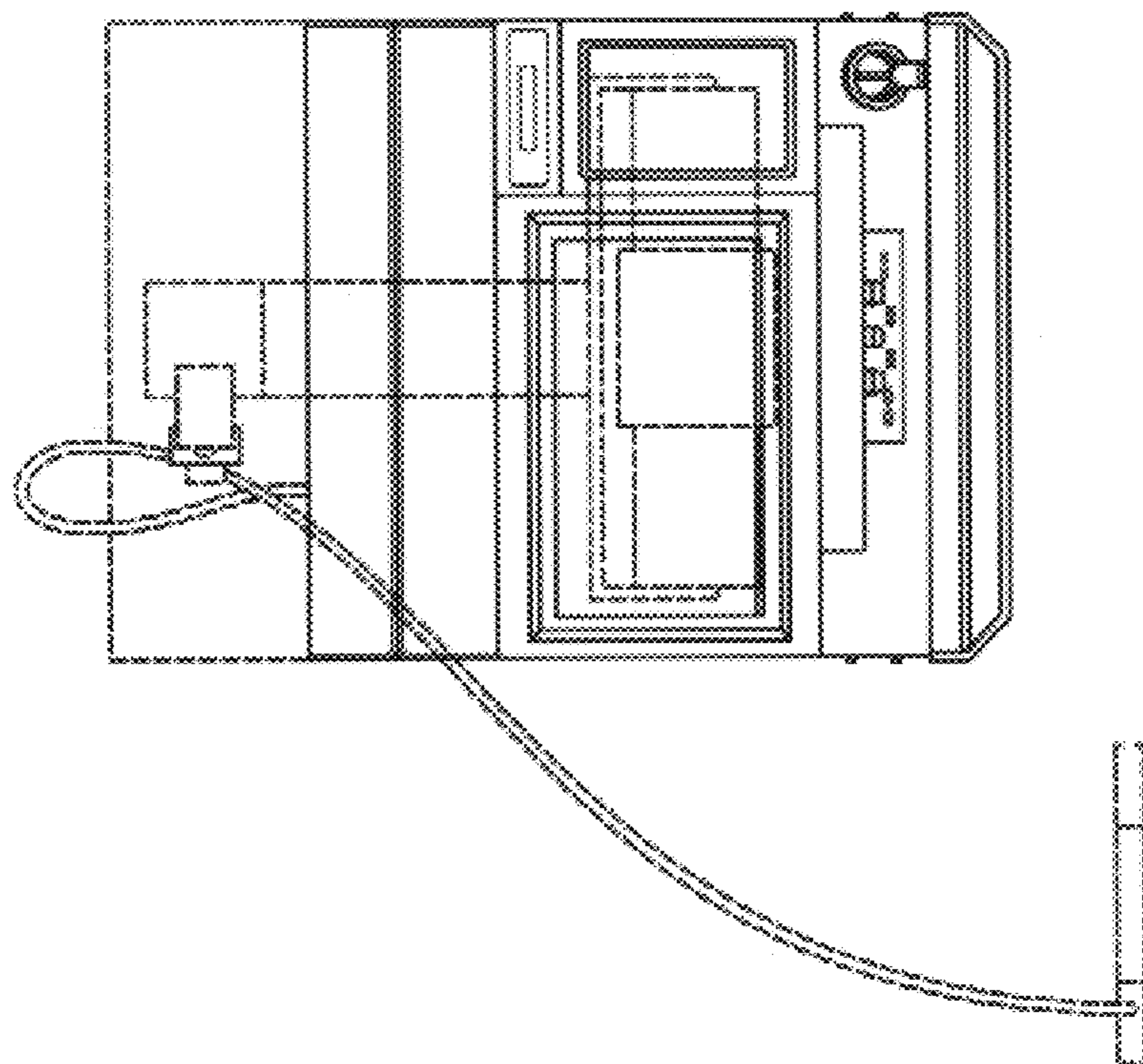


FIG. 4

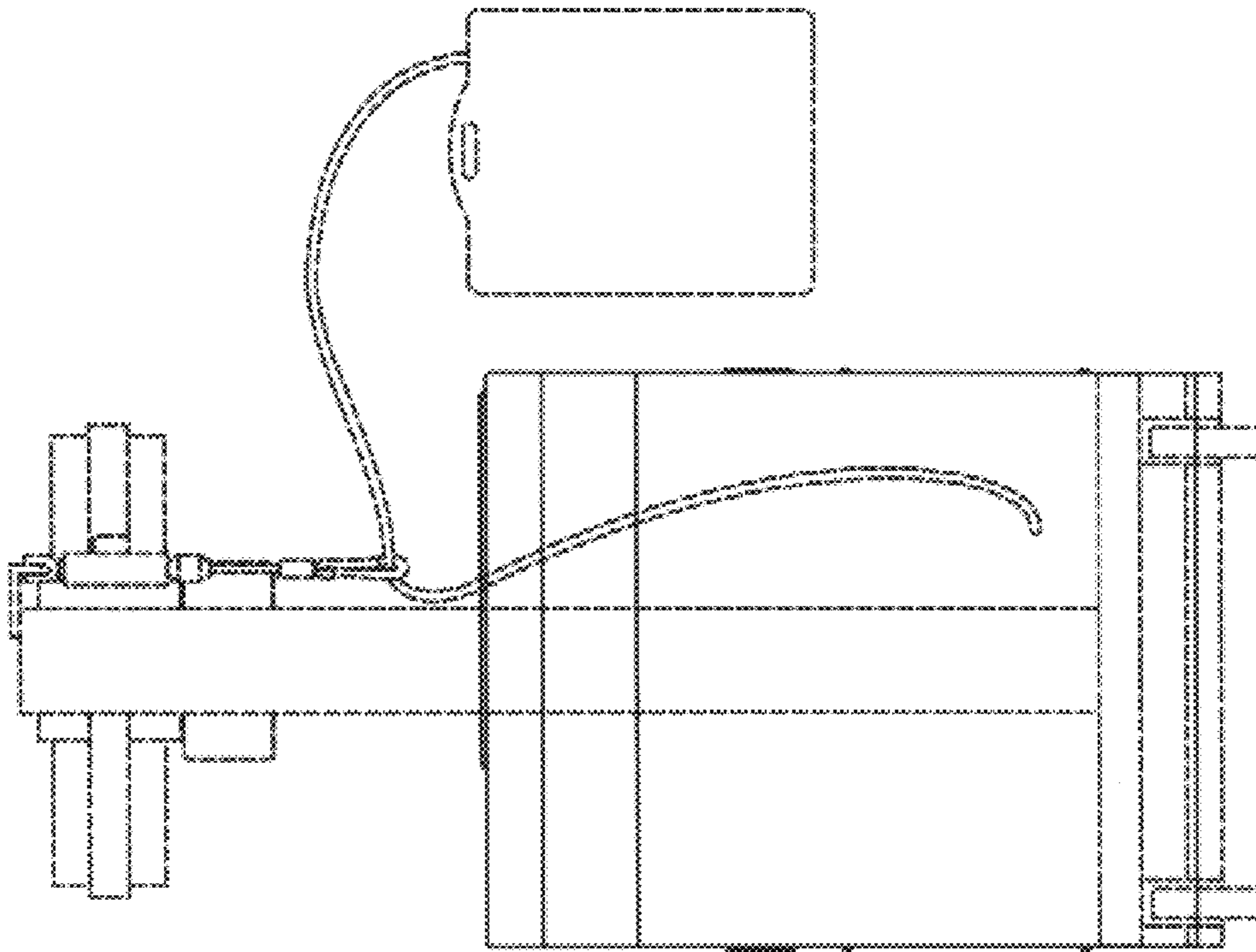


FIG. 7

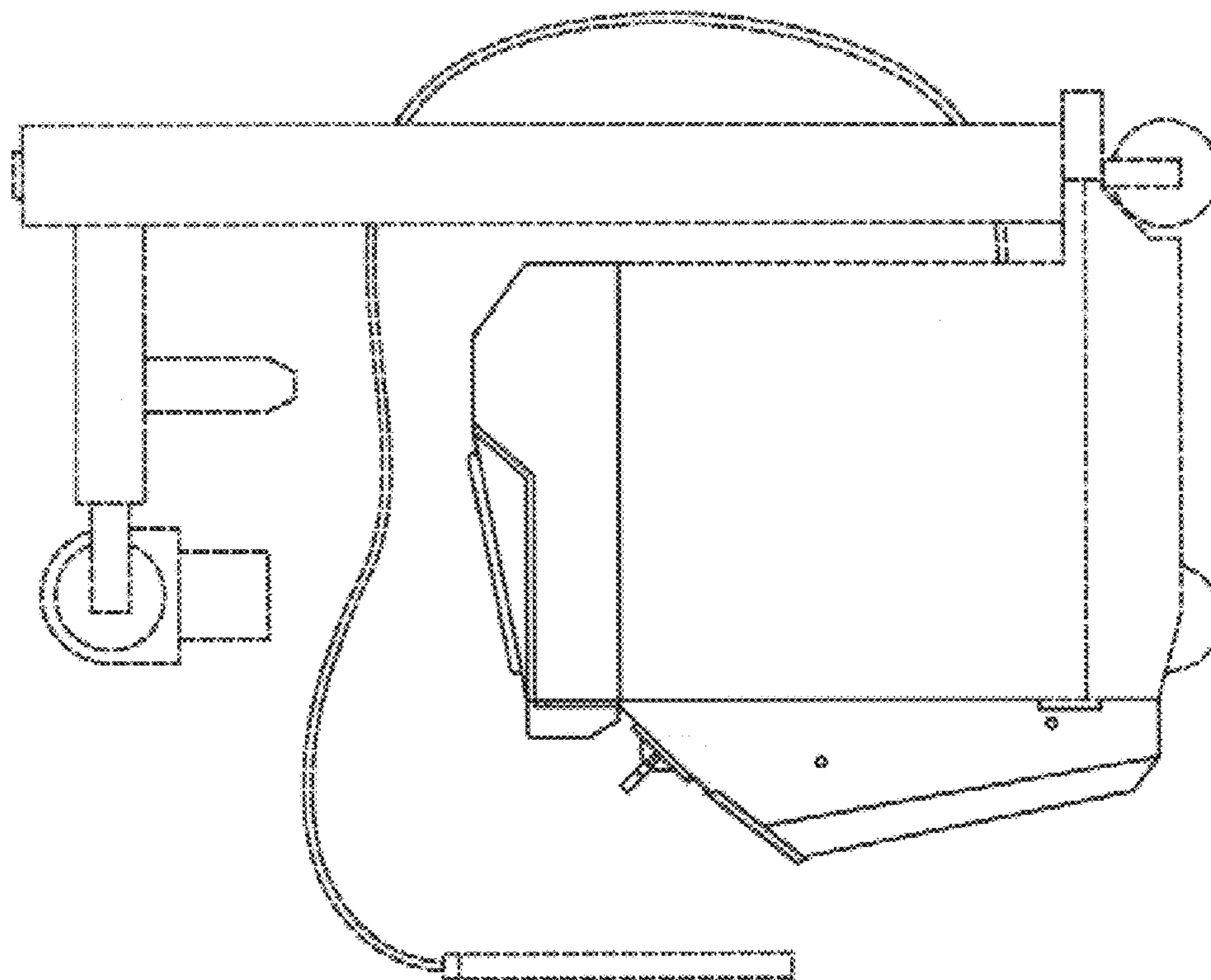


FIG. 5

FIG. 8

