



US00D568475S

(12) **United States Design Patent** (10) **Patent No.:** **US D568,475 S**  
**Sandel et al.** (45) **Date of Patent:** **\*\* May 6, 2008**

(54) **SCALPEL**  
(75) Inventors: **Dan S. Sandel**, Chatsworth, CA (US);  
**Ruane Jeter**, Chatsworth, CA (US)  
(73) Assignee: **Sandel Medical Industries, LLC**,  
Chatsworth, CA (US)  
(\*\*) Term: **14 Years**  
(21) Appl. No.: **29/278,161**  
(22) Filed: **Mar. 21, 2007**  
(51) **LOC (8) Cl.** ..... **24-02**  
(52) **U.S. Cl.** ..... **D24/147**  
(58) **Field of Classification Search** ..... D24/146,  
D24/147; D8/98; 606/79, 82-85, 131-133,  
606/170, 171, 166, 161, 167, 566, 176-182;  
30/50, 51, 41, 346-357  
See application file for complete search history.

5,752,968 A 5/1998 Jolly et al.  
5,792,162 A 8/1998 Jolly et al.  
5,827,309 A 10/1998 Jolly et al.  
5,878,501 A 3/1999 Owens et al.  
5,919,201 A 7/1999 Carter et al.  
5,938,675 A 8/1999 Gharibian  
5,938,676 A 8/1999 Cohn et al.  
5,941,892 A 8/1999 Cohn et al.  
6,001,113 A 12/1999 Goldblum  
6,015,419 A 1/2000 Strome et al.  
6,022,364 A 2/2000 Flumene et al.  
6,053,929 A 4/2000 Cohn et al.  
6,113,617 A 9/2000 van der Merwe  
6,416,524 B1 \* 7/2002 Critz et al. .... 606/167  
6,757,977 B2 \* 7/2004 Dambal et al. .... 30/162  
2004/0186496 A1 \* 9/2004 Sandel et al. .... 606/167  
2007/0156160 A1 \* 7/2007 Petersen .... 606/167

\* cited by examiner

*Primary Examiner*—Charles A. Rademaker  
*Assistant Examiner*—Carissa C Fitts  
(74) *Attorney, Agent, or Firm*—Perkins Coie LLP; Kenneth H. Ohriner

(56) **References Cited**

U.S. PATENT DOCUMENTS

D101,325 S \* 9/1936 Abidin et al. .... D24/147  
3,943,627 A 3/1976 Stanley, Jr.  
4,523,379 A 6/1985 Osterhout et al.  
4,757,612 A 7/1988 Peyrot  
4,823,457 A 4/1989 Prochaska  
5,071,426 A 12/1991 Dolgin et al.  
D327,125 S \* 6/1992 Iten ..... D24/146  
5,139,507 A 8/1992 Dolgin et al.  
5,207,696 A 5/1993 Matwijcow  
5,275,606 A \* 1/1994 Abidin et al. .... 606/167  
5,312,429 A 5/1994 Noack  
5,330,492 A 7/1994 Haugen  
5,330,493 A 7/1994 Haining  
5,411,512 A \* 5/1995 Abidin et al. .... 606/167  
5,417,704 A 5/1995 Wonderley  
5,527,329 A 6/1996 Gharibian  
5,620,454 A 4/1997 Pierce et al.  
5,662,669 A 9/1997 Abidin et al.  
5,683,407 A 11/1997 Jolly et al.  
5,730,751 A \* 3/1998 Dillon et al. .... 606/167

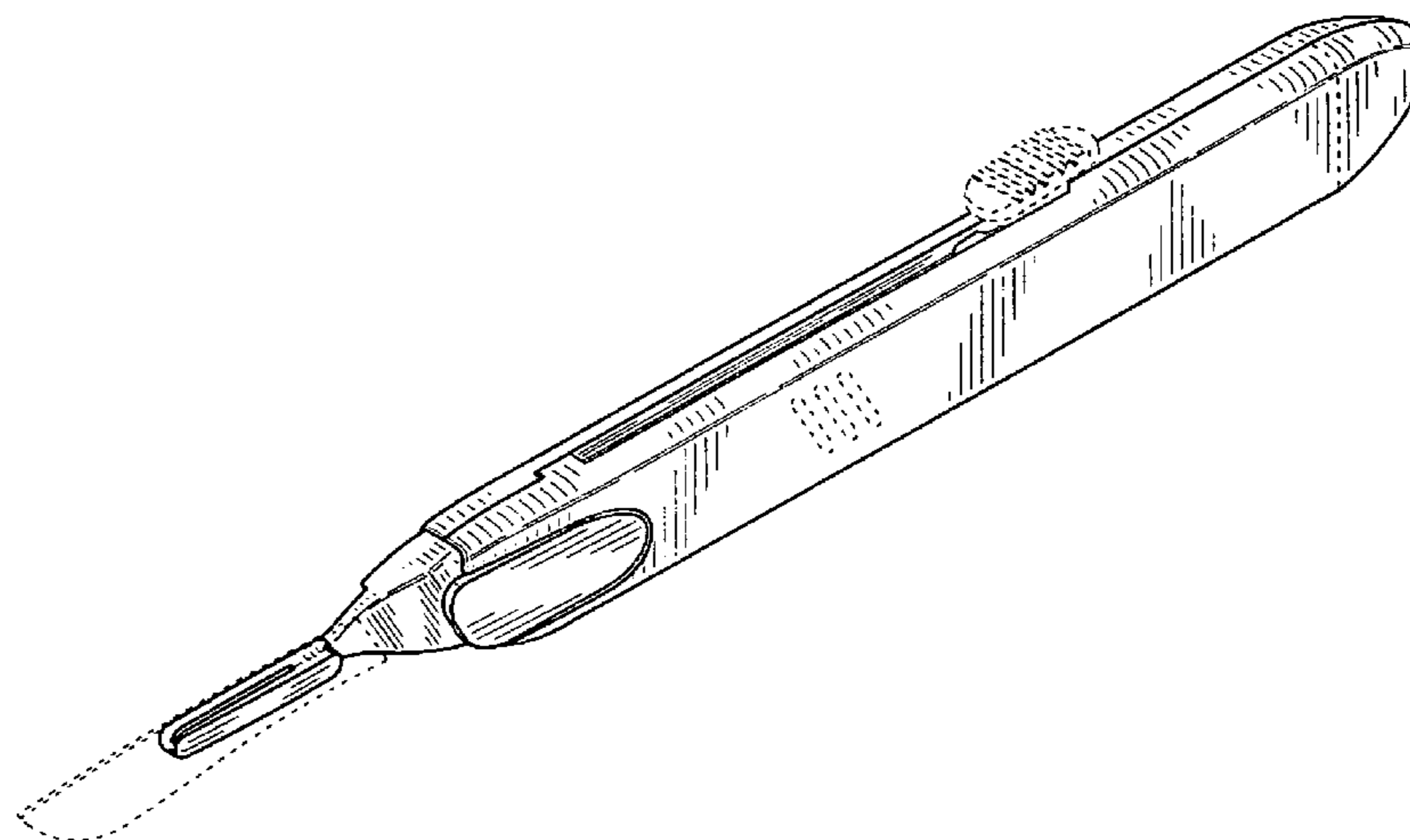
(57) **CLAIM**

The ornamental design for scalpel, as shown and described.

**DESCRIPTION**

FIG. 1 is a top, front and left side perspective view.  
FIG. 2 is a bottom, front and right side perspective view.  
FIG. 3 is a left side view.  
FIG. 4 is a right side view.  
FIG. 5 is top view.  
FIG. 6 is a bottom view.  
FIG. 7 is a front view; and,  
FIG. 8 is a back view.  
The broken line showing is for illustrative purposes only and forms no part of the claimed design.

**1 Claim, 3 Drawing Sheets**



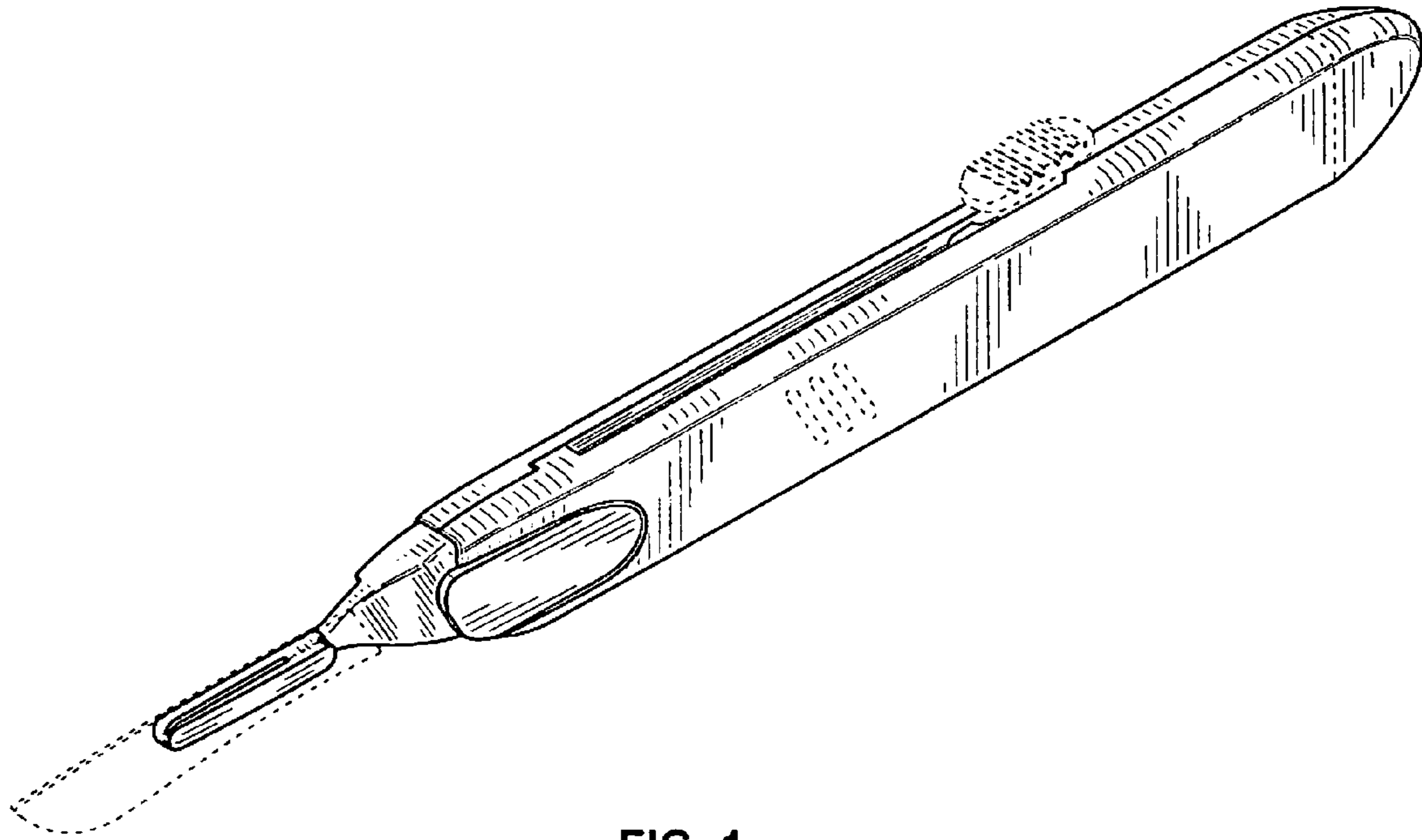


FIG. 1

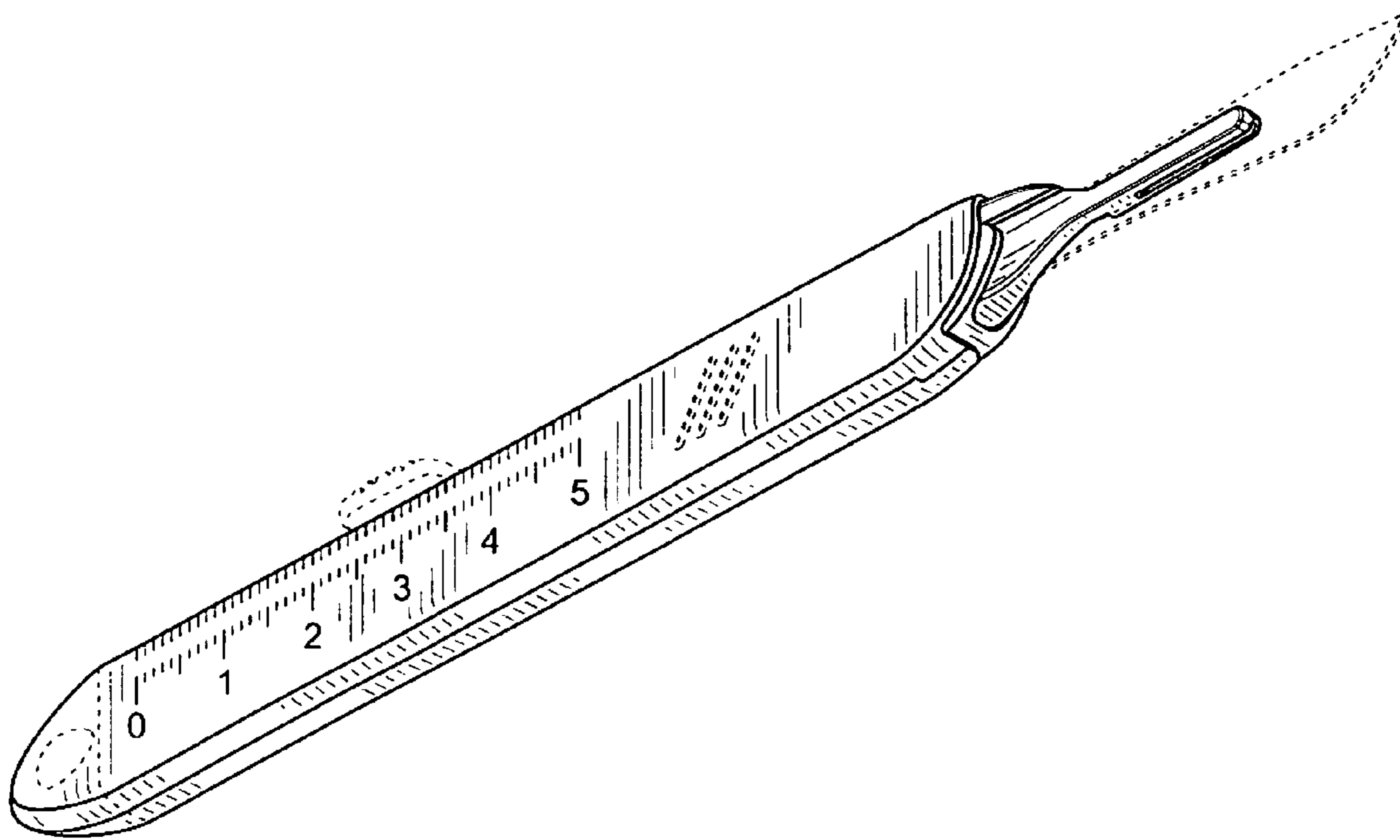


FIG. 2

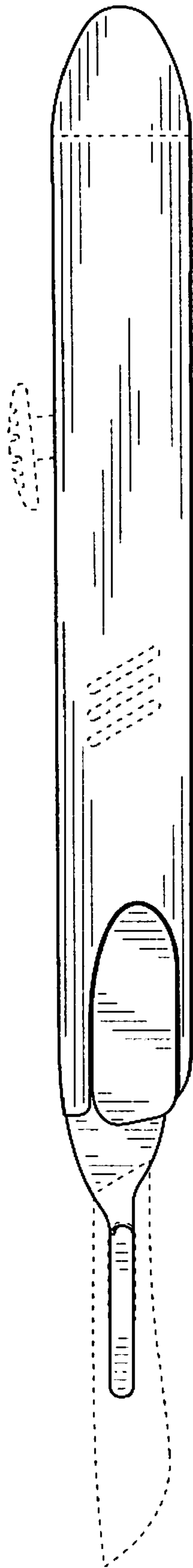


FIG. 3

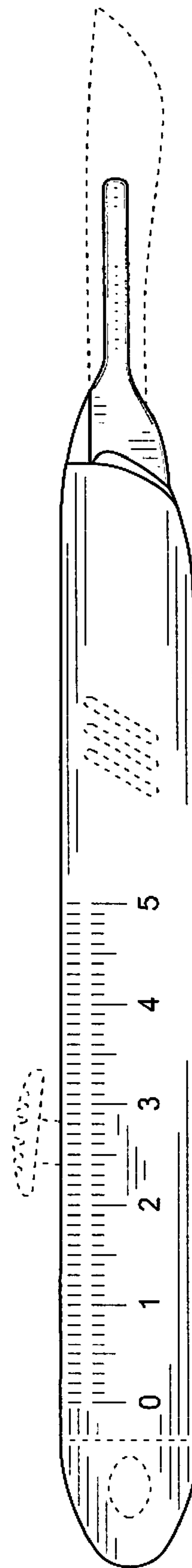


FIG. 4

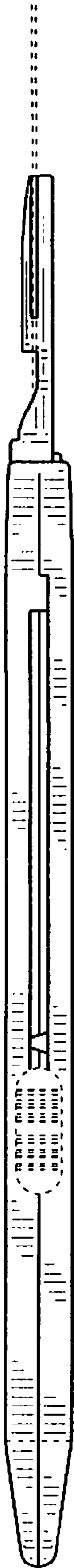


FIG. 5

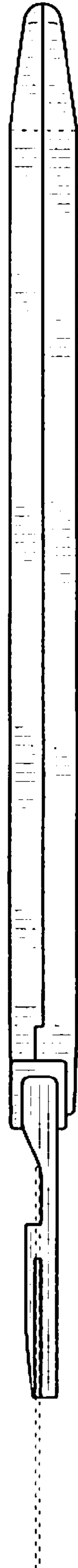


FIG. 6

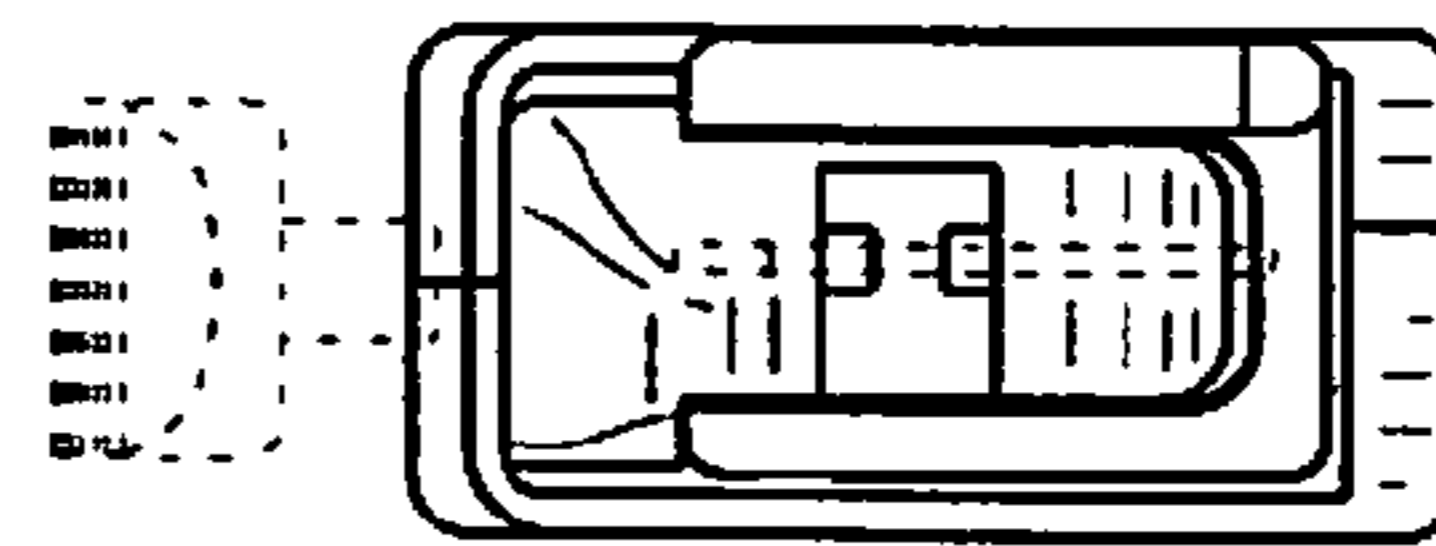


FIG. 7

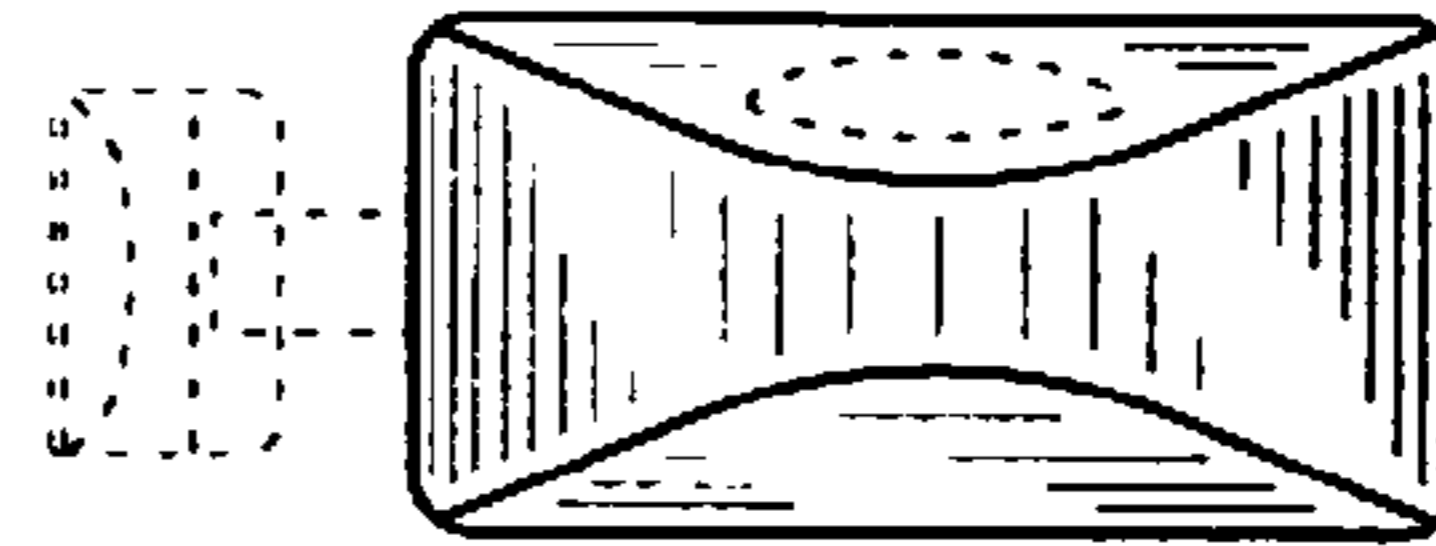


FIG. 8