



US00D568470S

(12) **United States Design Patent**
Mouret

(10) **Patent No.:** **US D568,470 S**

(45) **Date of Patent:** **** May 6, 2008**

(54) **MEDICAL INSTRUMENT**

(75) Inventor: **Philippe Mouret**, Sainte Euphemie (FR)

(73) Assignee: **Karl Storz GmbH & Co. KG** (DE)

(**) Term: **14 Years**

(21) Appl. No.: **29/277,898**

(22) Filed: **Mar. 13, 2007**

(30) **Foreign Application Priority Data**

Sep. 13, 2006 (EM) 000587613

(51) **LOC (8) Cl.** **24-02**

(52) **U.S. Cl.** **D24/135**

(58) **Field of Classification Search** D24/135,
D24/143, 128, 127; D8/71, 72; 606/69,
606/87; 600/201, 226, 215, 219, 210
See application file for complete search history.

(56) **References Cited**

U.S. PATENT DOCUMENTS

6,261,296 B1 * 7/2001 Aebi et al. 606/90

6,565,570 B2 * 5/2003 Sterett et al. 606/69
7,189,234 B2 * 3/2007 Zucherman et al. 606/61

* cited by examiner

Primary Examiner—Ian Simmons

Assistant Examiner—Christopher Lee

(74) *Attorney, Agent, or Firm*—St. Onge Steward Johnston & Reens LLC

(57) **CLAIM**

The ornamental design for a medical instrument, as shown and described.

DESCRIPTION

FIG. 1 is a front perspective view of a Medical Instrument in accordance with the new design;

FIG. 2 is a back view thereof;

FIG. 3 is a front view thereof;

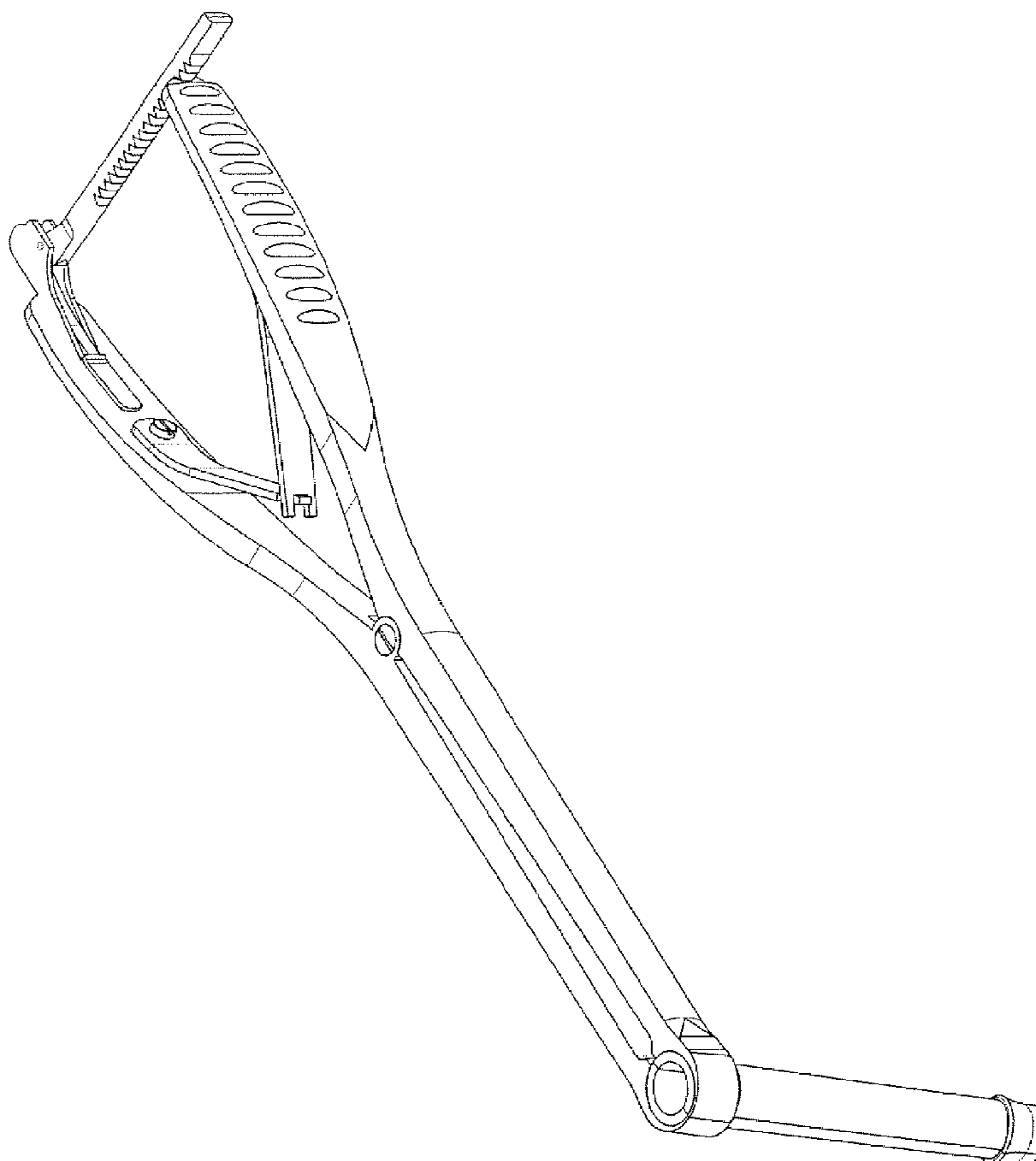
FIG. 4 is a left side view thereof;

FIG. 5 is a right side view thereof;

FIG. 6 is a top plan view thereof; and,

FIG. 7 is a bottom plan view thereof.

1 Claim, 7 Drawing Sheets



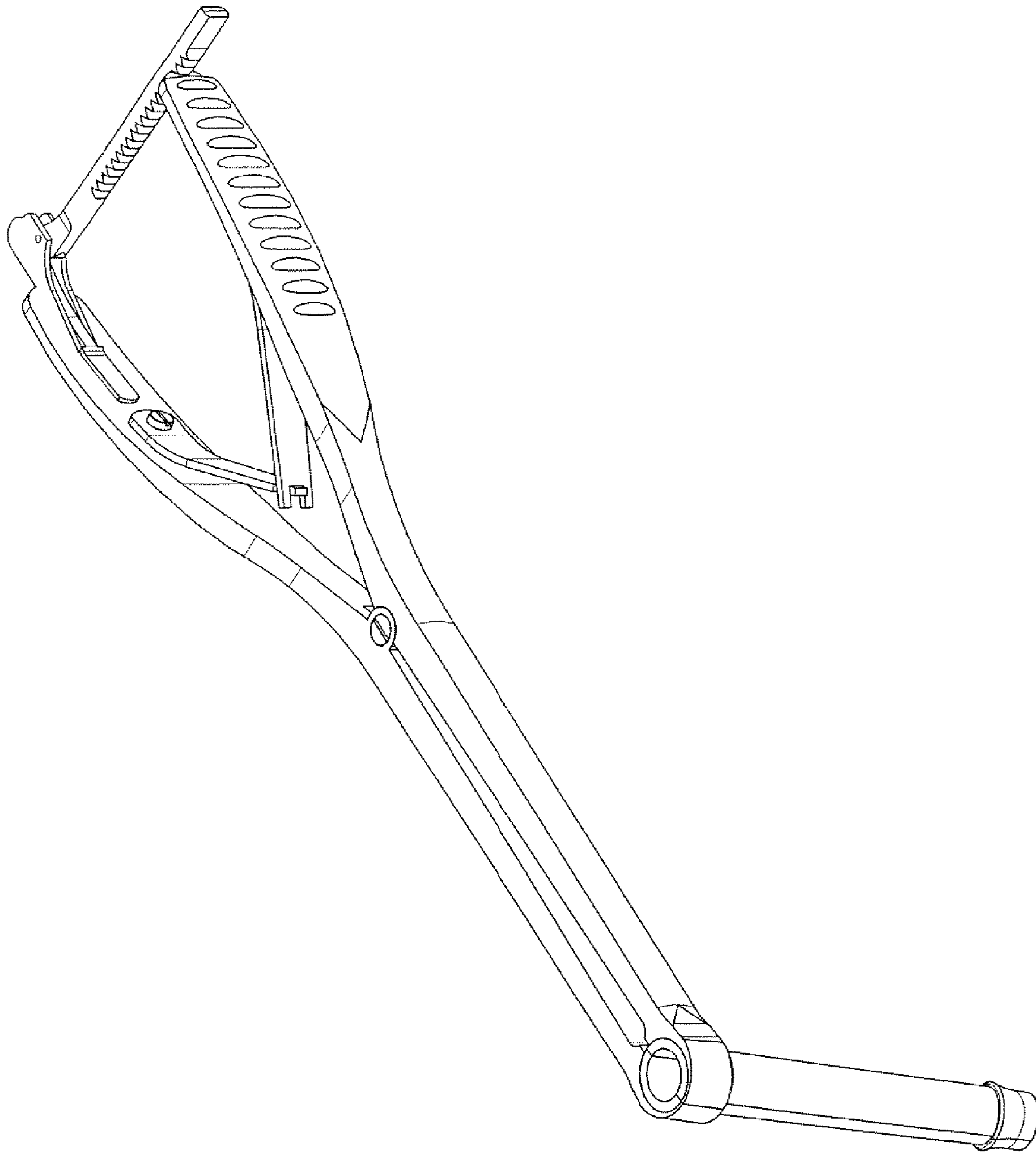


FIG. 1

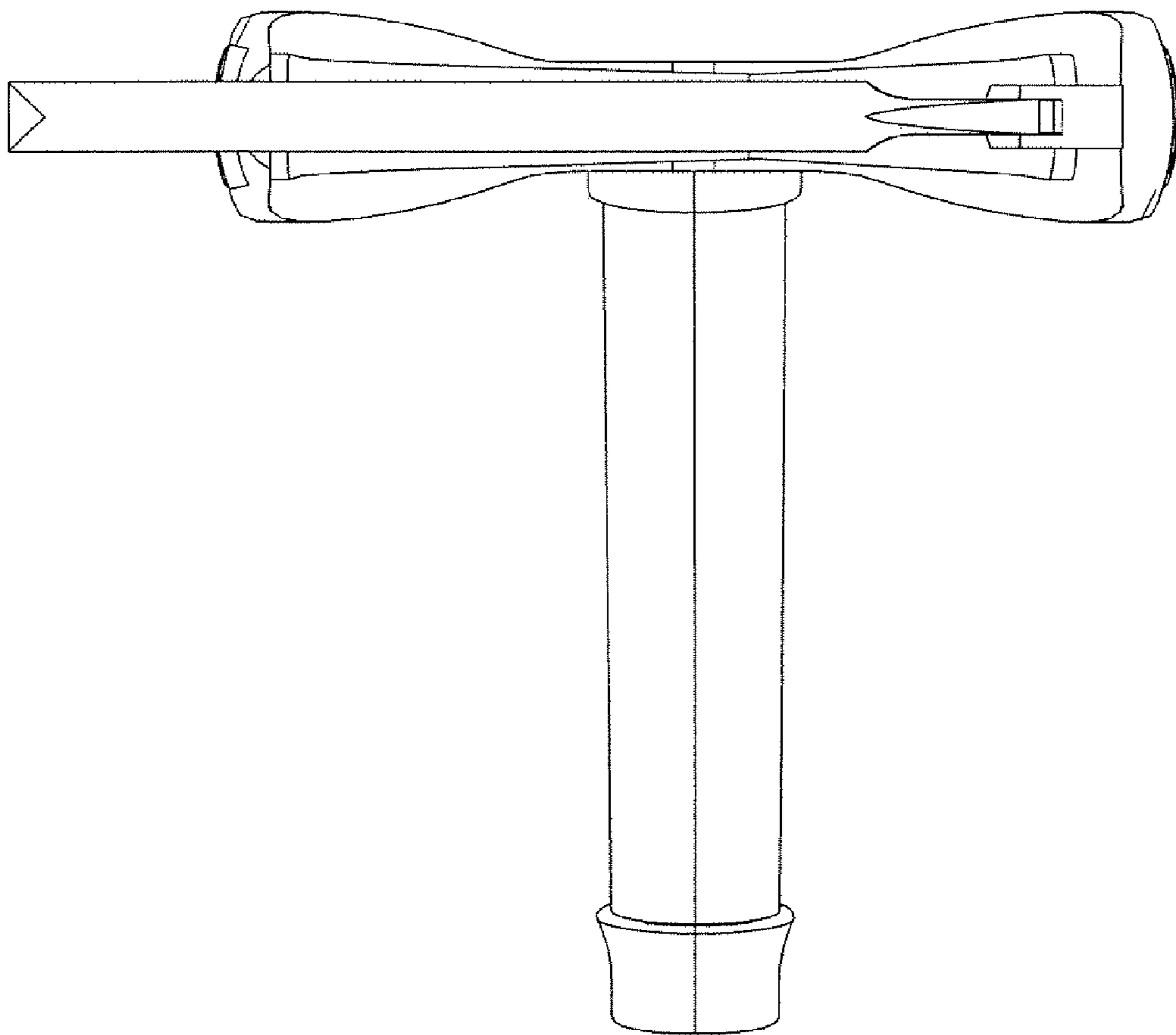


FIG. 2

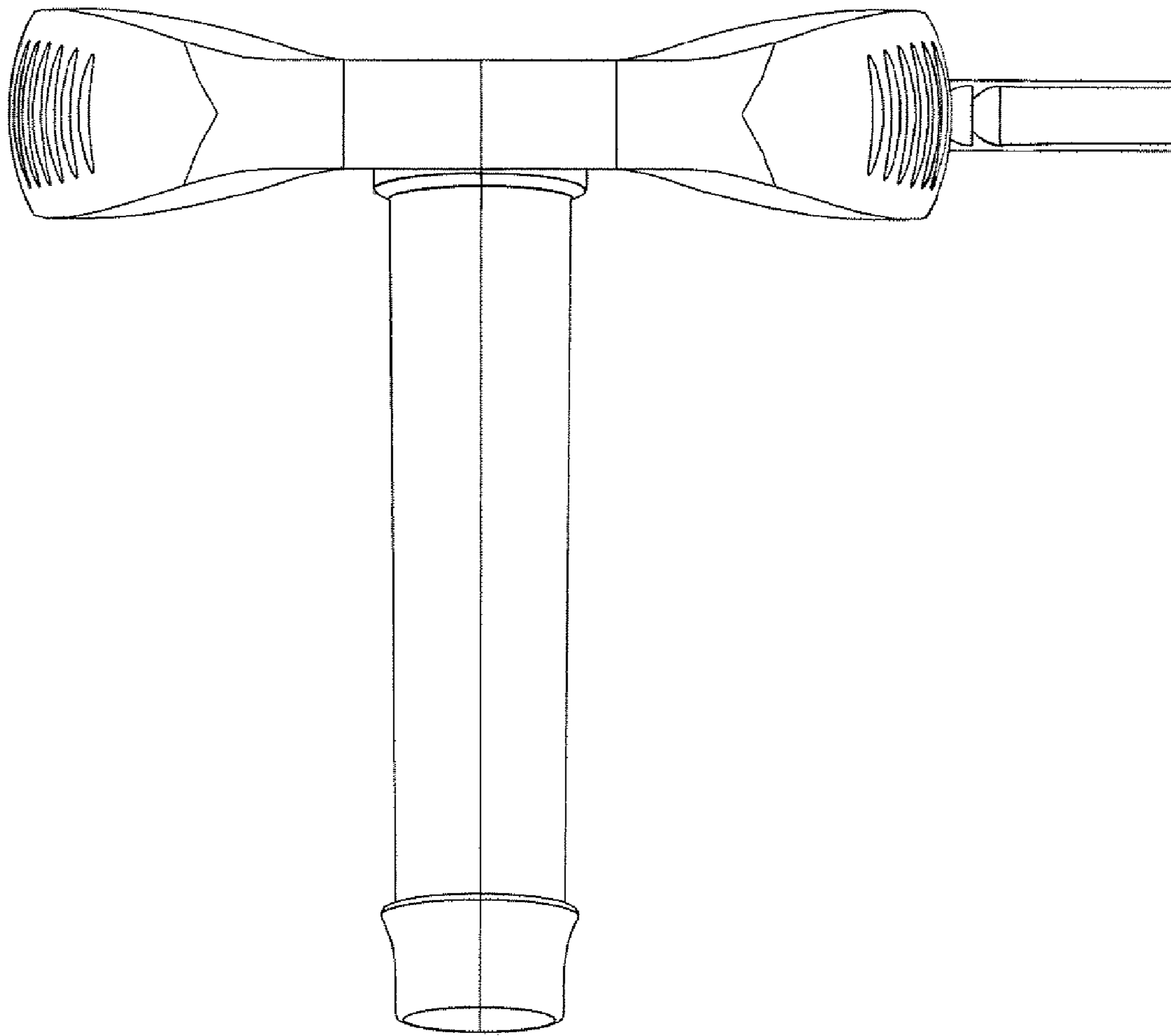


FIG. 3

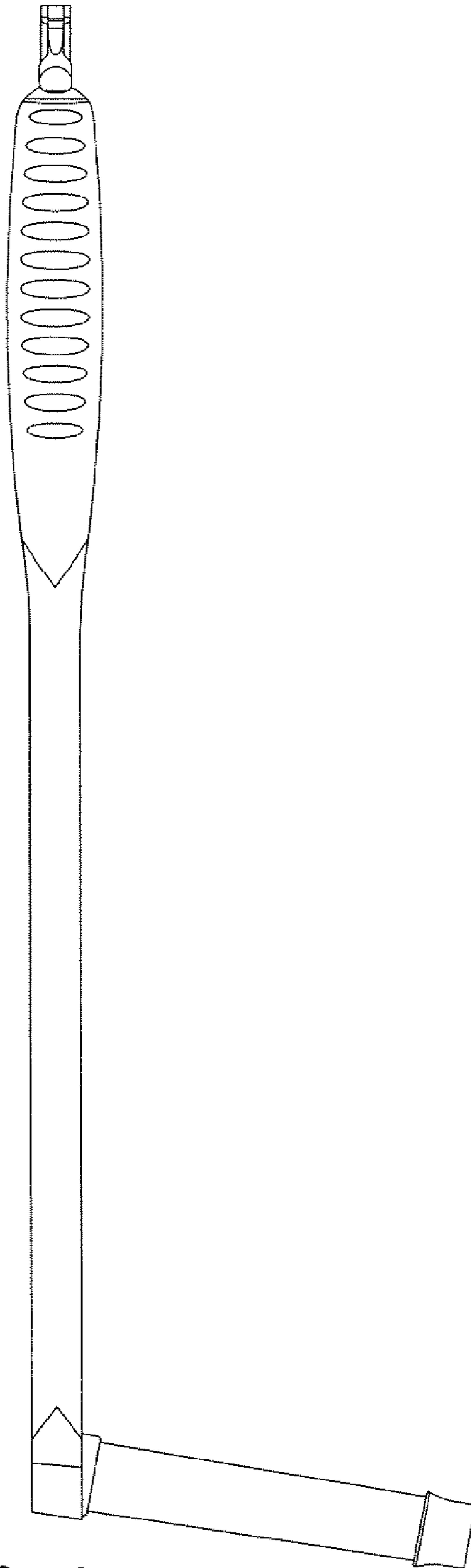


FIG. 4

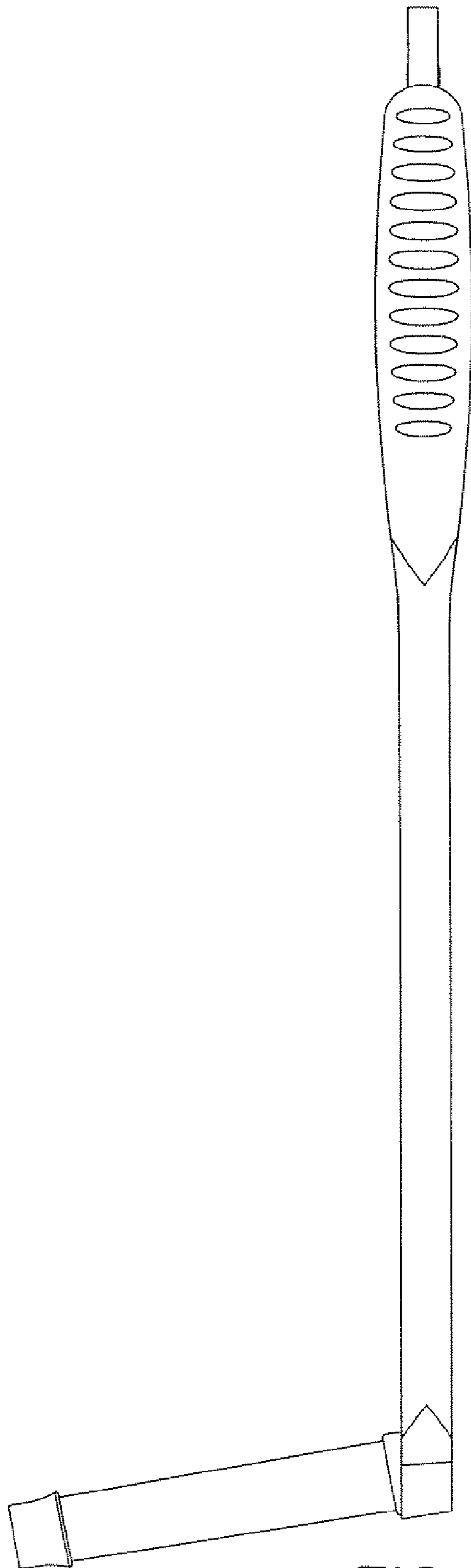


FIG. 5

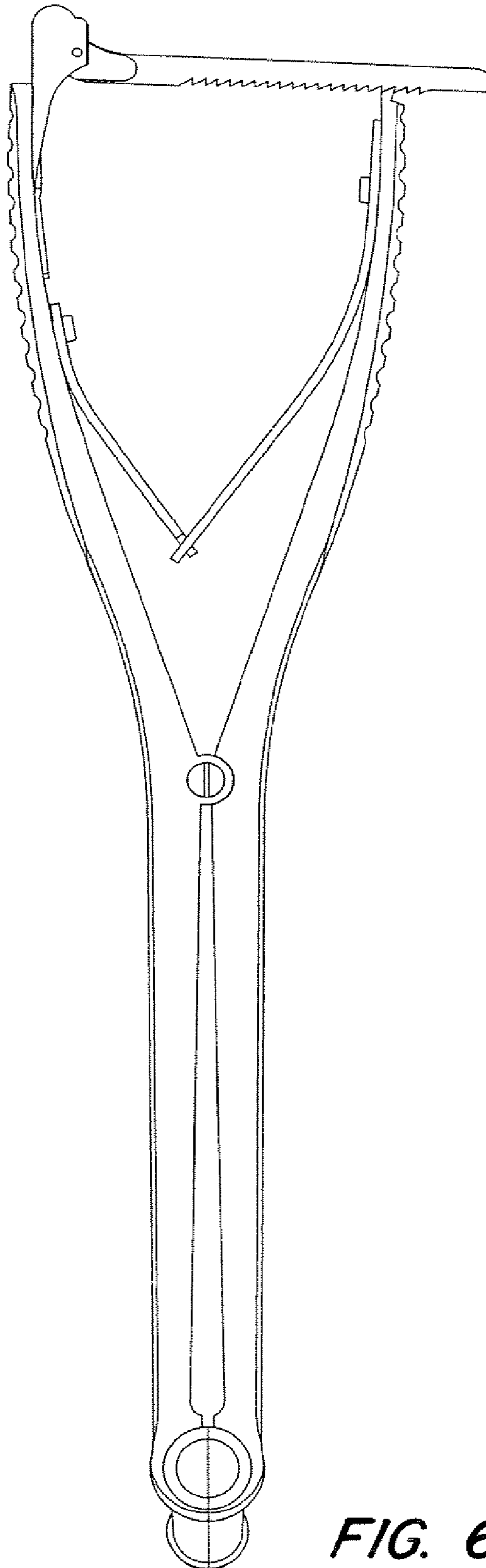


FIG. 6

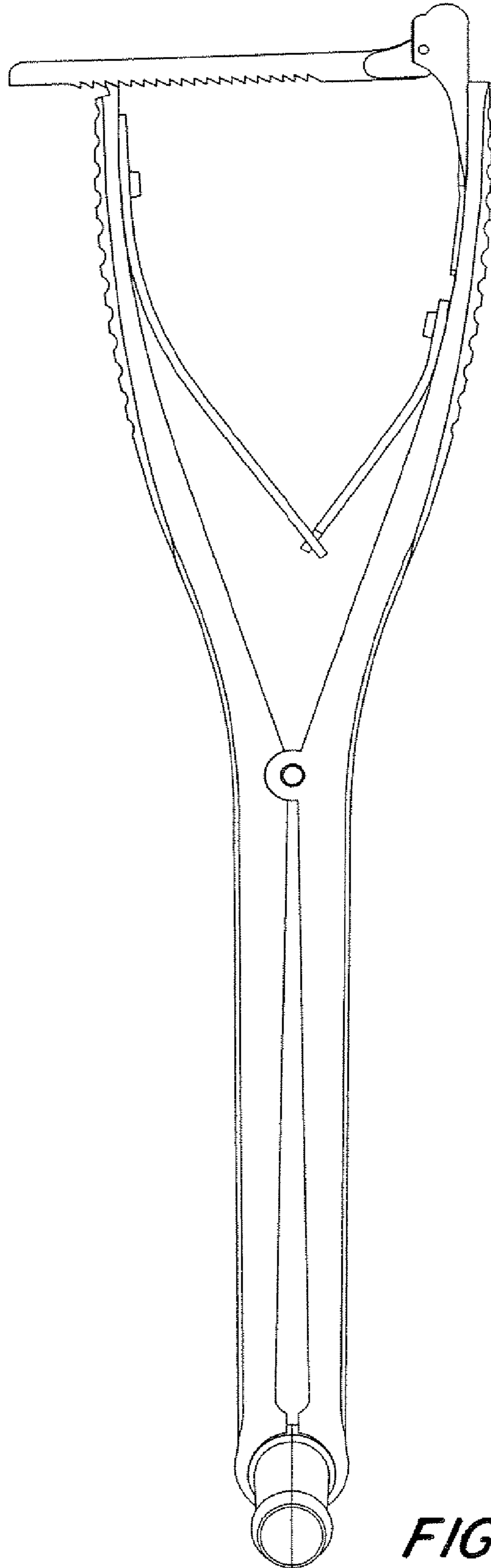


FIG. 7