



US00D568469S

(12) **United States Design Patent** (10) **Patent No.:** **US D568,469 S**
Sudo (45) **Date of Patent:** **** May 6, 2008**

- (54) **SYRINGE NOZZLE CAP**
- (75) Inventor: **Masamichi Sudo**, Tokyo (JP)
- (73) Assignee: **Daikyo Seiko, Ltd.**, Tokyo (JP)
- (**) Term: **14 Years**
- (21) Appl. No.: **29/274,979**
- (22) Filed: **Jun. 14, 2007**
- (30) **Foreign Application Priority Data**
Feb. 26, 2007 (JP) 2007-004747
- (51) **LOC (8) Cl.** **24-02**
- (52) **U.S. Cl.** **D24/130**
- (58) **Field of Classification Search** D24/130,
D24/224, 112, 113, 114, 121; 600/577, 576;
604/263, 192, 222, 193, 194, 198, 403, 411,
604/414, 415; 422/916; 215/DIG. 3
See application file for complete search history.

- (56) **References Cited**
U.S. PATENT DOCUMENTS
- 5,279,606 A * 1/1994 Haber et al. 604/403
- 5,487,737 A * 1/1996 Meyer 604/403
- 5,785,691 A * 7/1998 Vetter et al. 604/187
- D430,293 S * 8/2000 Jansen D24/129
- D431,864 S * 10/2000 Jansen D24/129
- D447,799 S * 9/2001 Jun D24/130
- D457,954 S * 5/2002 Wallace et al. D24/130
- 6,632,199 B1 * 10/2003 Tucker et al. 604/192
- 6,712,786 B2 * 3/2004 Azzolini 604/80

- D493,526 S * 7/2004 Hwang D24/130
- D496,101 S * 9/2004 Davison D24/130
- 2003/0060776 A1 * 3/2003 Heiniger 604/198
- 2004/0215148 A1 * 10/2004 Hwang et al. 604/187

* cited by examiner

Primary Examiner—Ian Simmons
Assistant Examiner—Eric L Goodman
 (74) *Attorney, Agent, or Firm*—Edwards Angell Palmer & Dodge LLP

(57) **CLAIM**

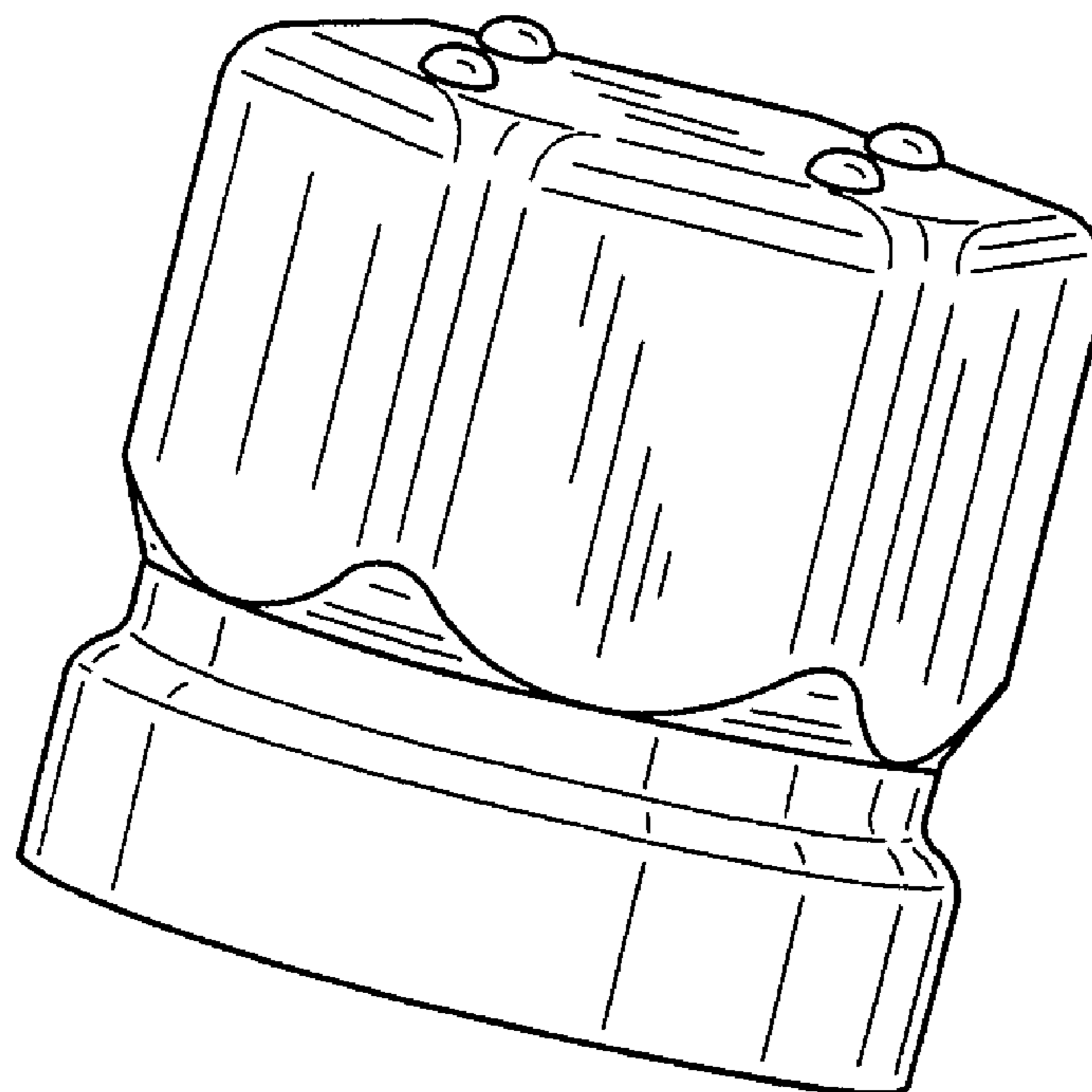
The ornamental design for a syringe nozzle cap, as shown and described.

DESCRIPTION

This application is related to two co-pending U.S. Patent Design application Ser. Nos. 29/274,978 and 29/287,104 both entitled “Syringe Nozzle Cap” and filed Jun. 14, 2007 and Jun. 27, 2007 respectively, in the name of Masamichi Sudo; which applications are assigned to the assignee of the present application and are incorporated by reference herein.

FIG. 1 is a perspective view of the syringe nozzle cap;
 FIG. 2 is a front/back view thereof;
 FIG. 3 is a right side/left side view thereof;
 FIG. 4 is a top view thereof;
 FIG. 5 is a bottom view thereof; and,
 FIG. 6 is a cross-sectional view along the line 6—6 in FIG. 4.

1 Claim, 2 Drawing Sheets



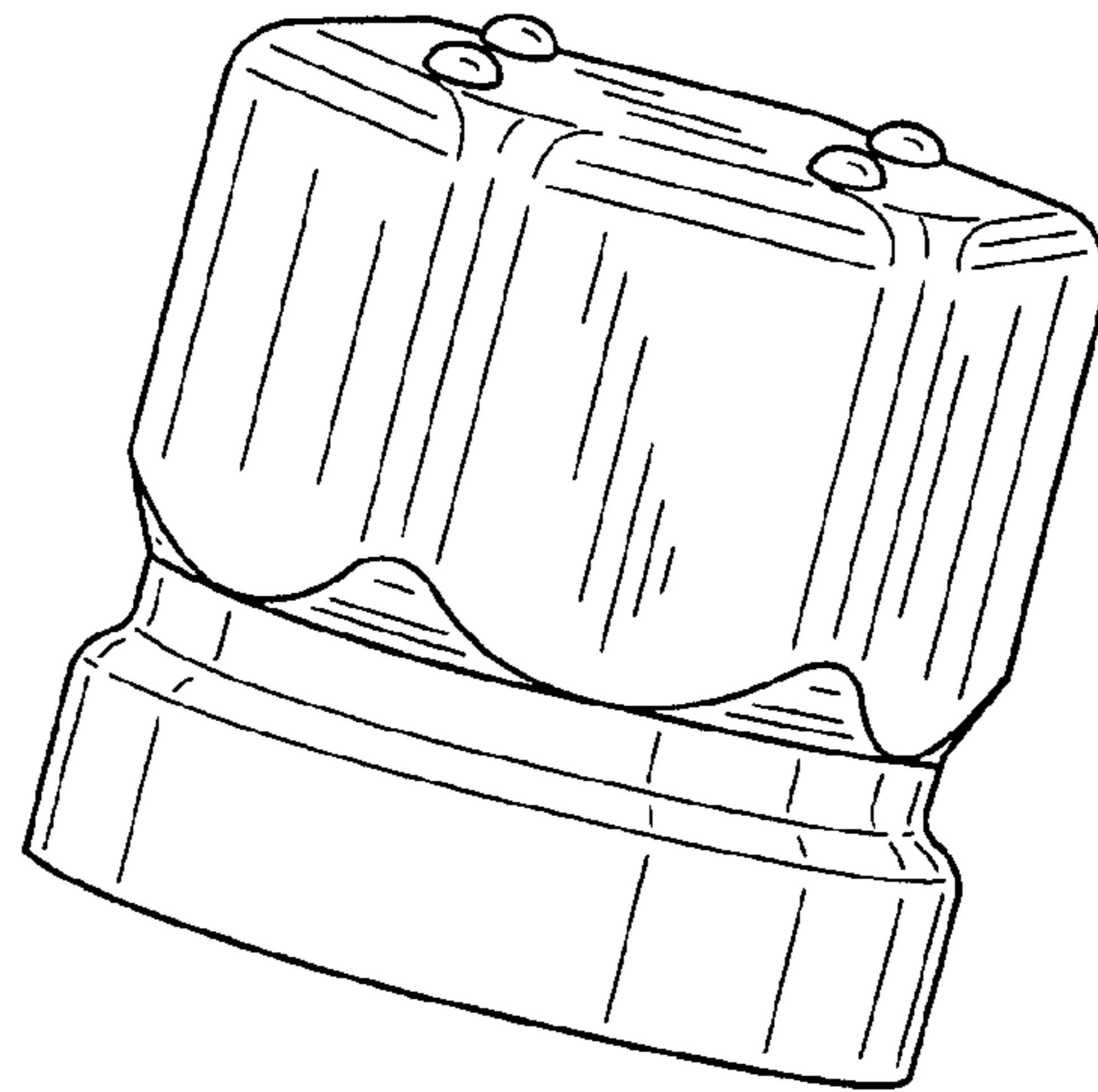


FIG. 1

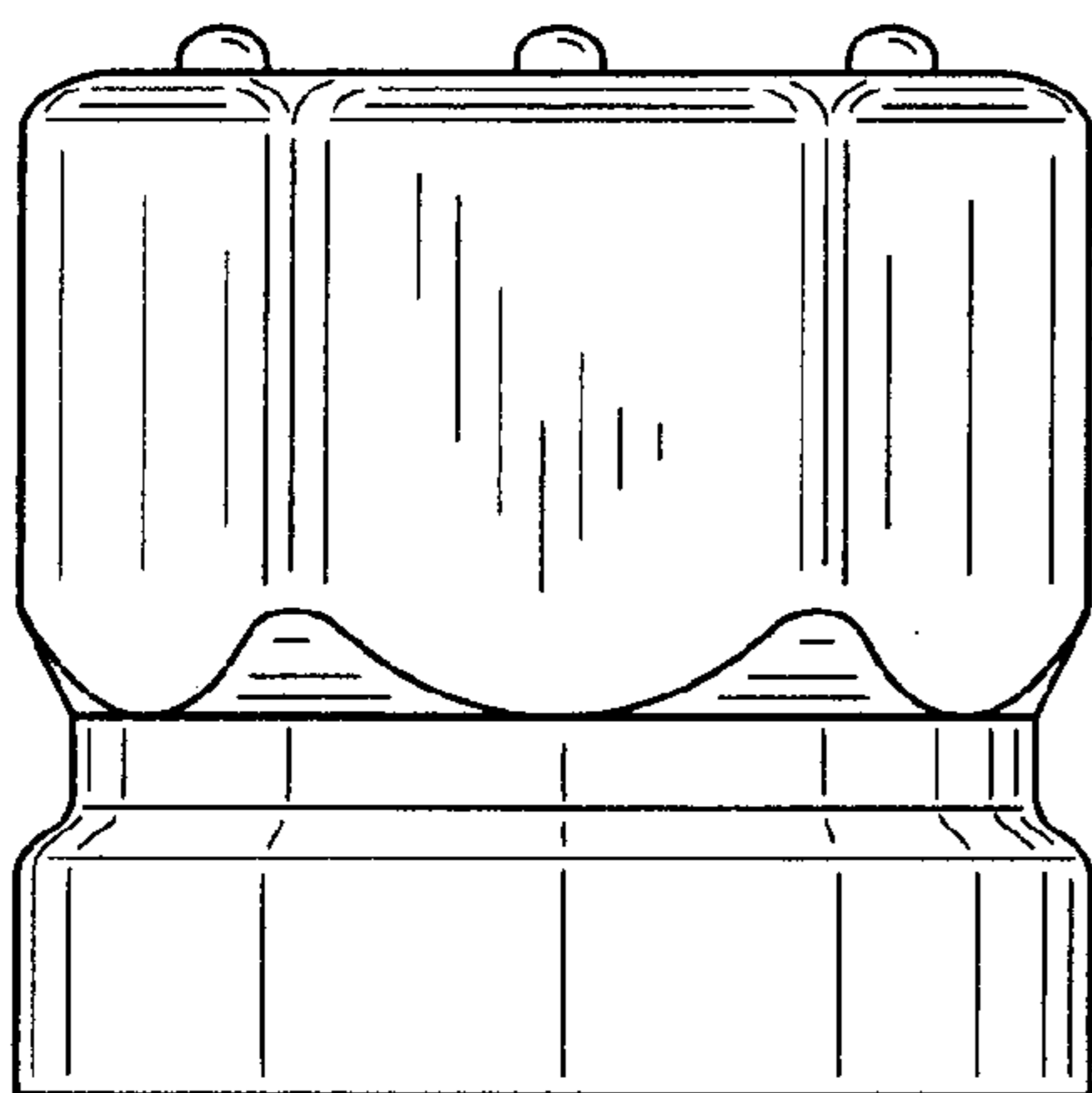


FIG. 2

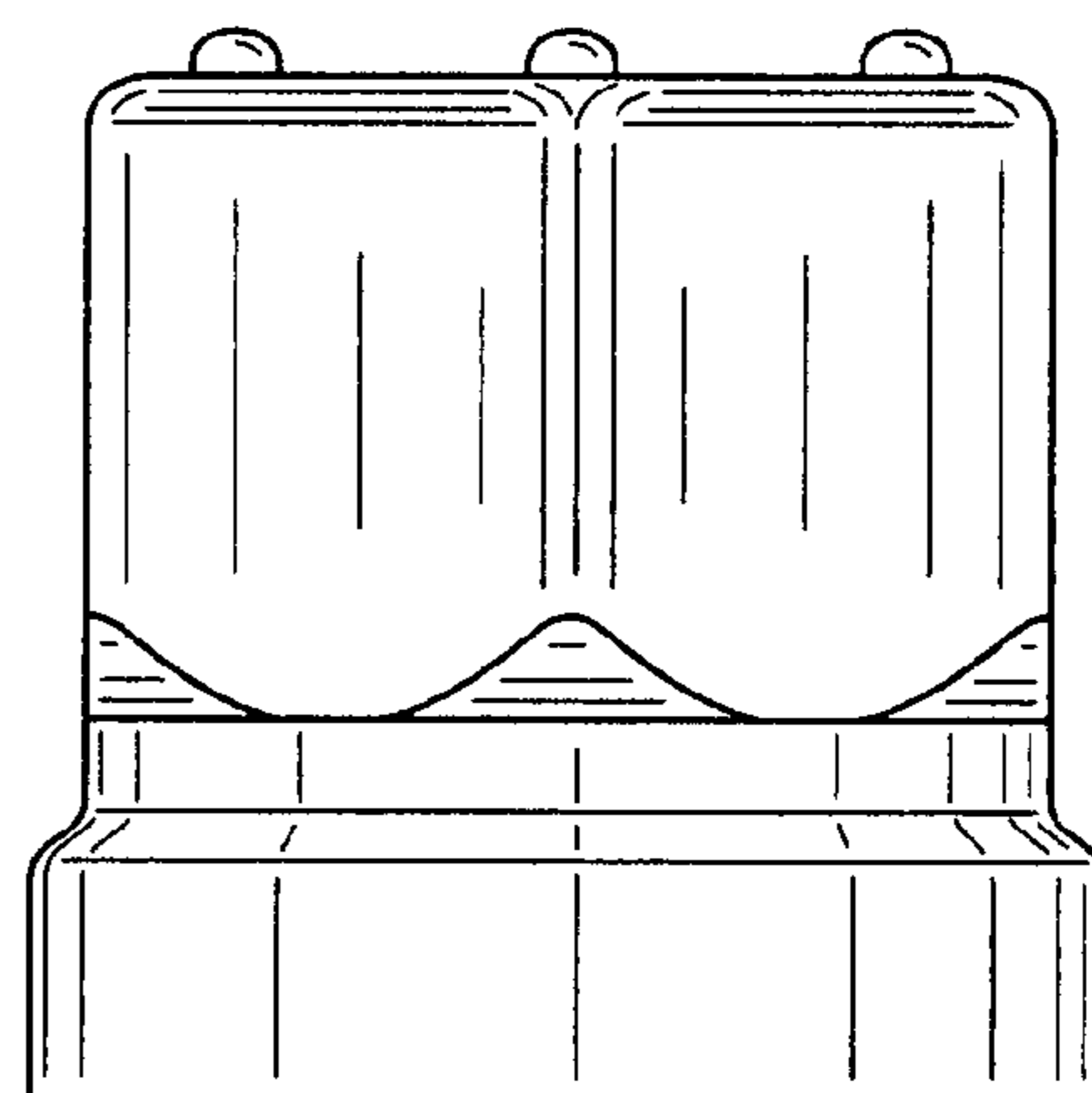


FIG. 3

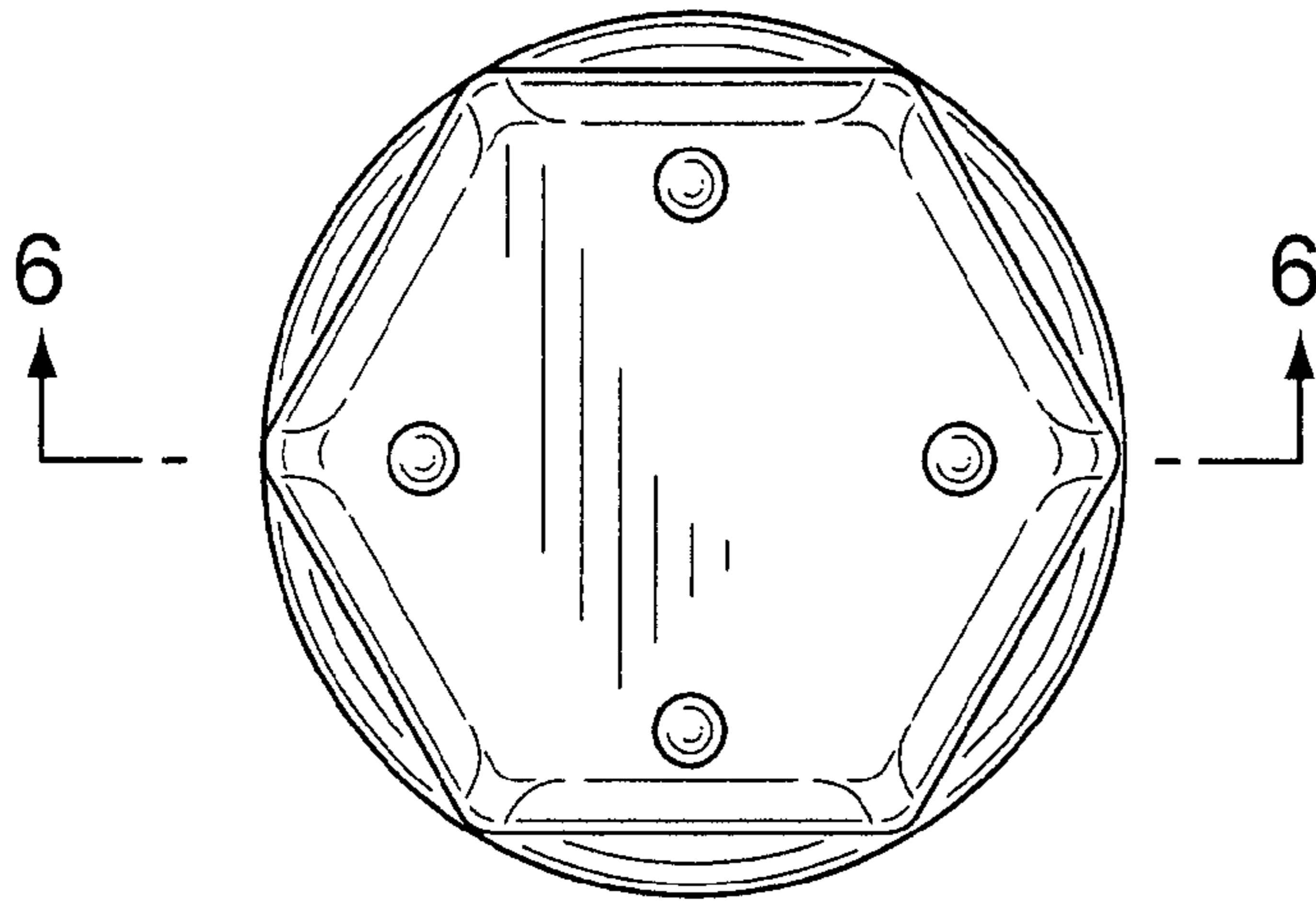


FIG. 4

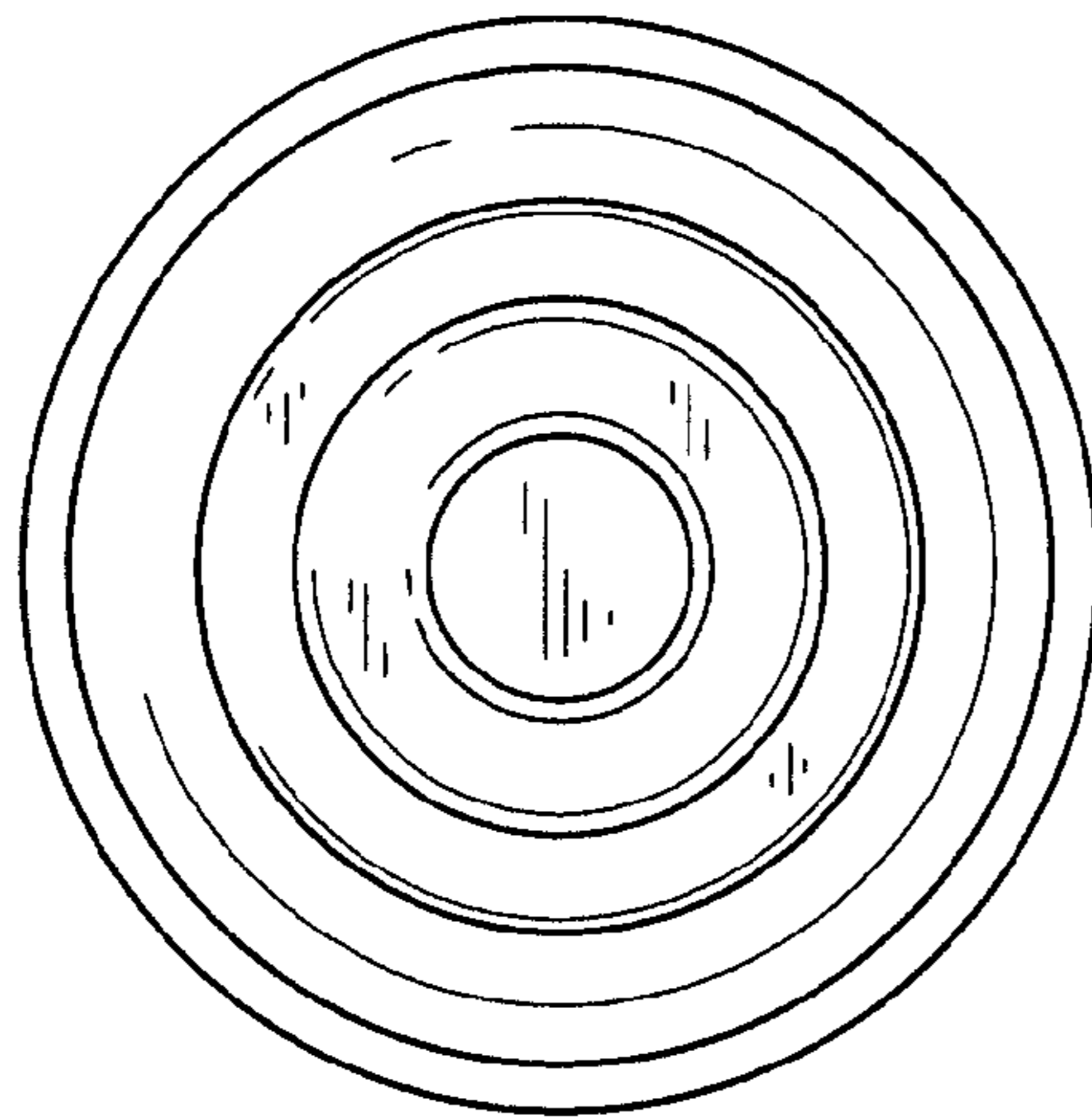


FIG. 5

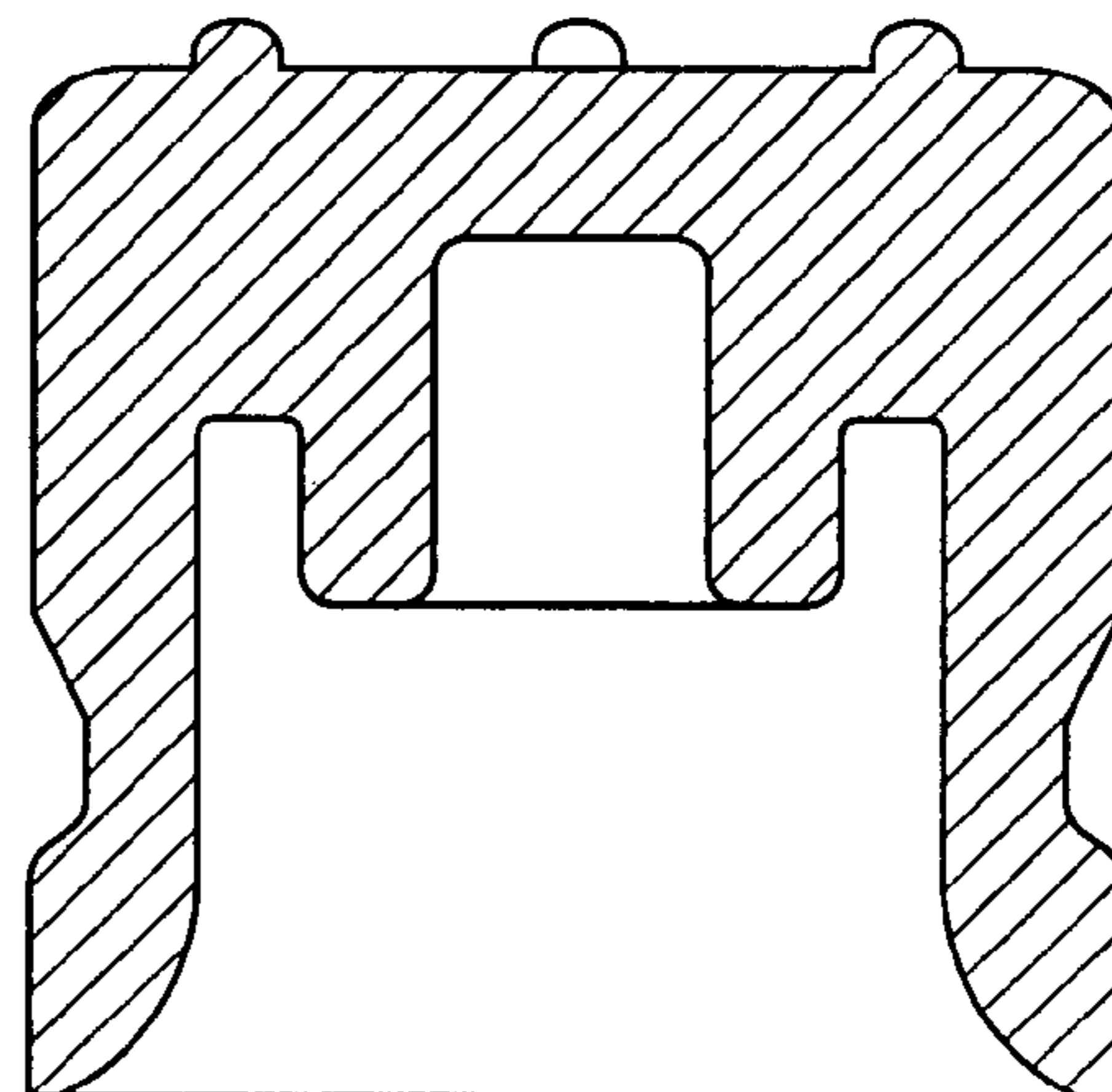


FIG. 6