

US00D568467S

(12) **United States Design Patent**  
**Cottone**

(10) **Patent No.:** **US D568,467 S**  
(45) **Date of Patent:** **\*\* May 6, 2008**

(54) **SURGICAL DEVICE HANDLING SYSTEM**

(75) Inventor: **Anthony J. Cottone**, Roswell, GA (US)

(73) Assignee: **Advanced Medical Designs, Inc.**,  
Marietta, GA (US)

(\*\*) Term: **14 Years**

(21) Appl. No.: **29/277,925**

(22) Filed: **Mar. 14, 2007**

(51) **LOC (8) Cl.** ..... **24-02**

(52) **U.S. Cl.** ..... **D24/128**

(58) **Field of Classification Search** ..... D24/112,  
D24/128; D6/411; 248/125.8, 129, 170,  
248/121

See application file for complete search history.

(56) **References Cited**

**U.S. PATENT DOCUMENTS**

1,628,722	A *	5/1927	Haertel	.....	248/129
2,745,676	A *	5/1956	Scott	.....	280/47.26
3,888,442	A *	6/1975	Comeaux	.....	248/98
D252,300	S *	7/1979	Pryor	.....	D6/431
D281,453	S *	11/1985	DiGianfilippo et al.	....	D24/128
D298,460	S *	11/1988	Pryor	.....	D24/128
D325,440	S *	4/1992	Landis et al.	.....	D24/185
D331,108	S *	11/1992	Curbbun	.....	D24/128
D372,533	S *	8/1996	Davis	.....	D24/128
6,969,031	B2 *	11/2005	Ugent et al.	.....	248/125.8
2006/0196997	A1 *	9/2006	Johnson	.....	248/129

**OTHER PUBLICATIONS**

Kick Bucket & Basin Stands, Miami Medical, Sep. 12, 2006, pp. 1-2, [http://www.miami-med.com/kick\\_bucket.htm](http://www.miami-med.com/kick_bucket.htm).

IV Pole, Miami Medical, May 23, 2007, pp. 1-5, <http://www.miami-med.com/UV%20stand.htm>.

\* cited by examiner

*Primary Examiner*—Ian Simmons

*Assistant Examiner*—Eric L Goodman

(74) *Attorney, Agent, or Firm*—Kilpatrick Stockton LLP

(57) **CLAIM**

The ornamental design for a surgical device handling system, as shown and described.

**DESCRIPTION**

FIG. 1 shows a perspective view of a surgical device handling system according to the present invention.

FIG. 2 shows a front elevation view of the surgical device handling system of FIG. 1.

FIG. 3 shows a right side elevation view of the surgical device handling system of FIG. 1.

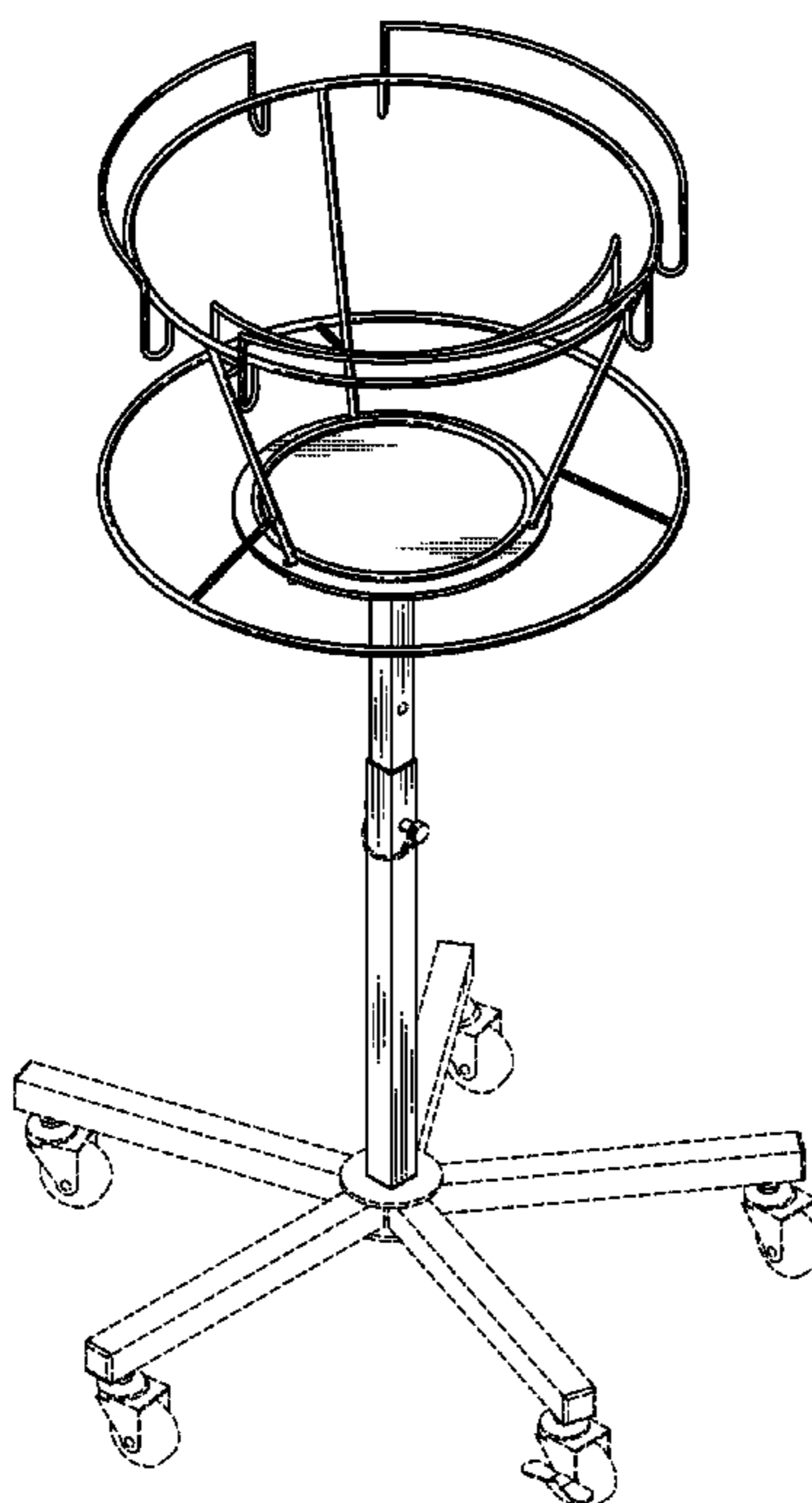
FIG. 4 shows a rear elevation view of the surgical device handling system of FIG. 1.

FIG. 5 shows a left side elevation view of the surgical device handling system of FIG. 1; and,

FIG. 6 shows a top view of the surgical device handling system of FIG. 1.

Portions or features of the surgical device handling system not shown in the drawings form no part of the claimed design. The broken lines shown in the drawings are for illustrative purposes only, and form no part of the claimed design.

**1 Claim, 6 Drawing Sheets**



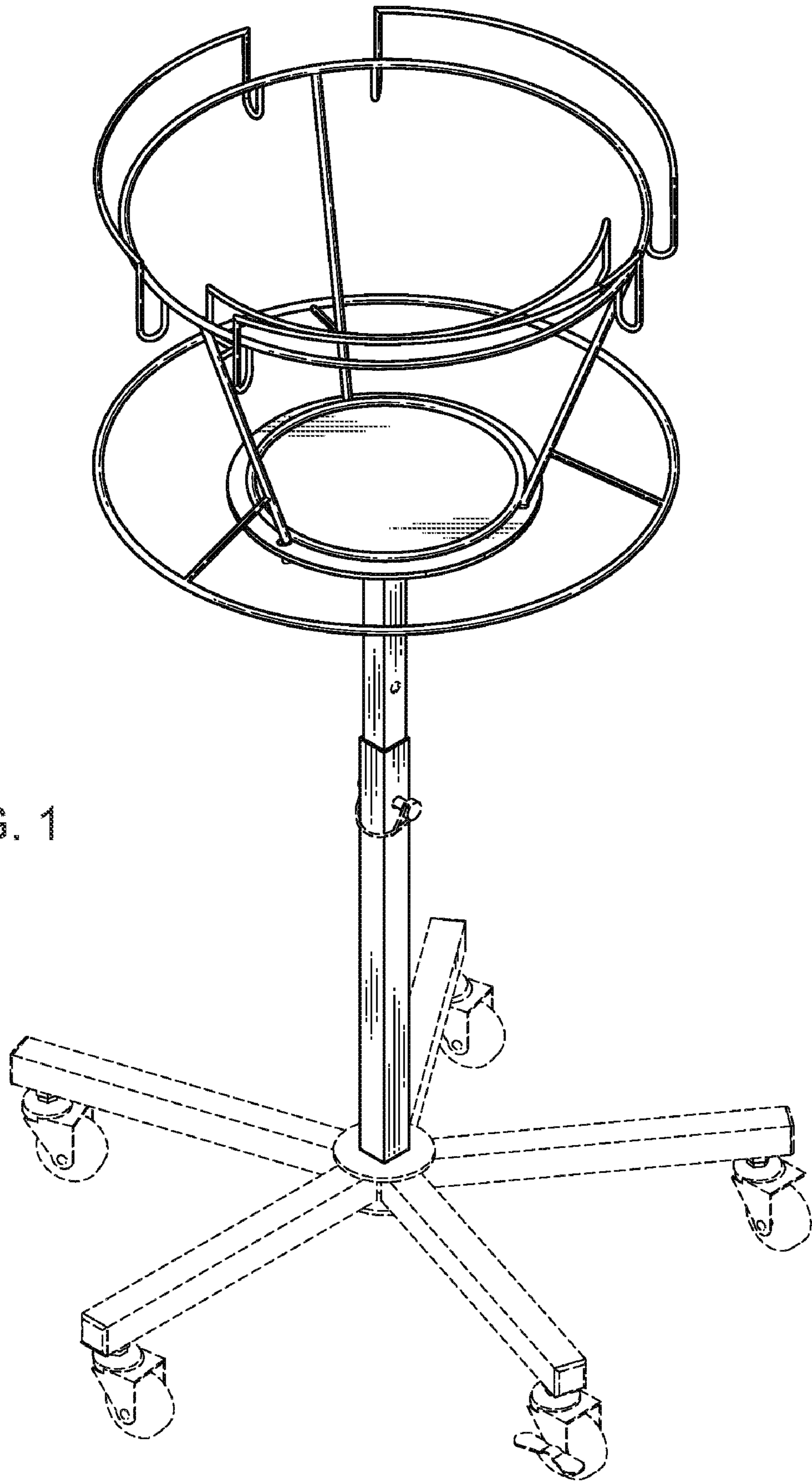


FIG. 1

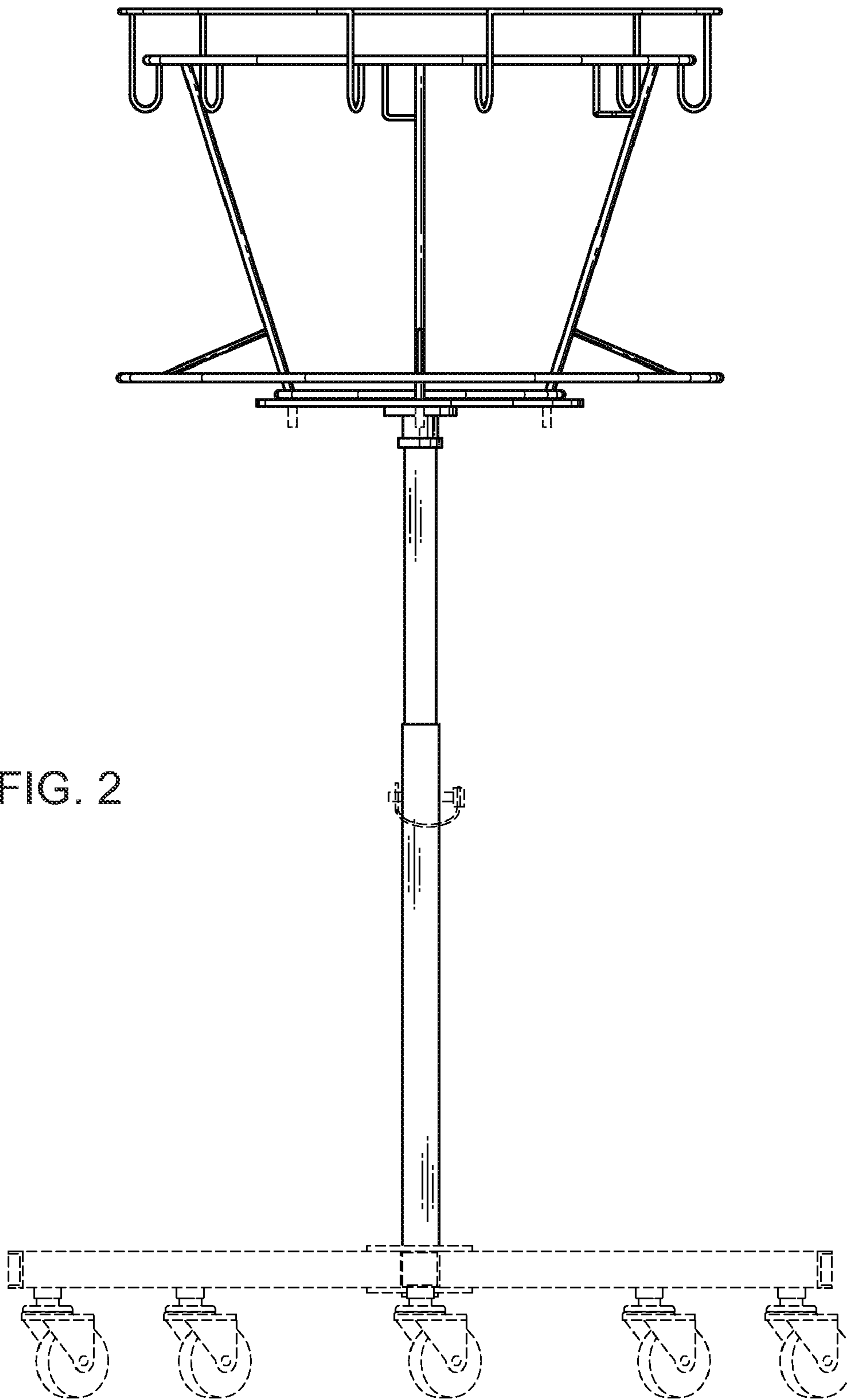


FIG. 2

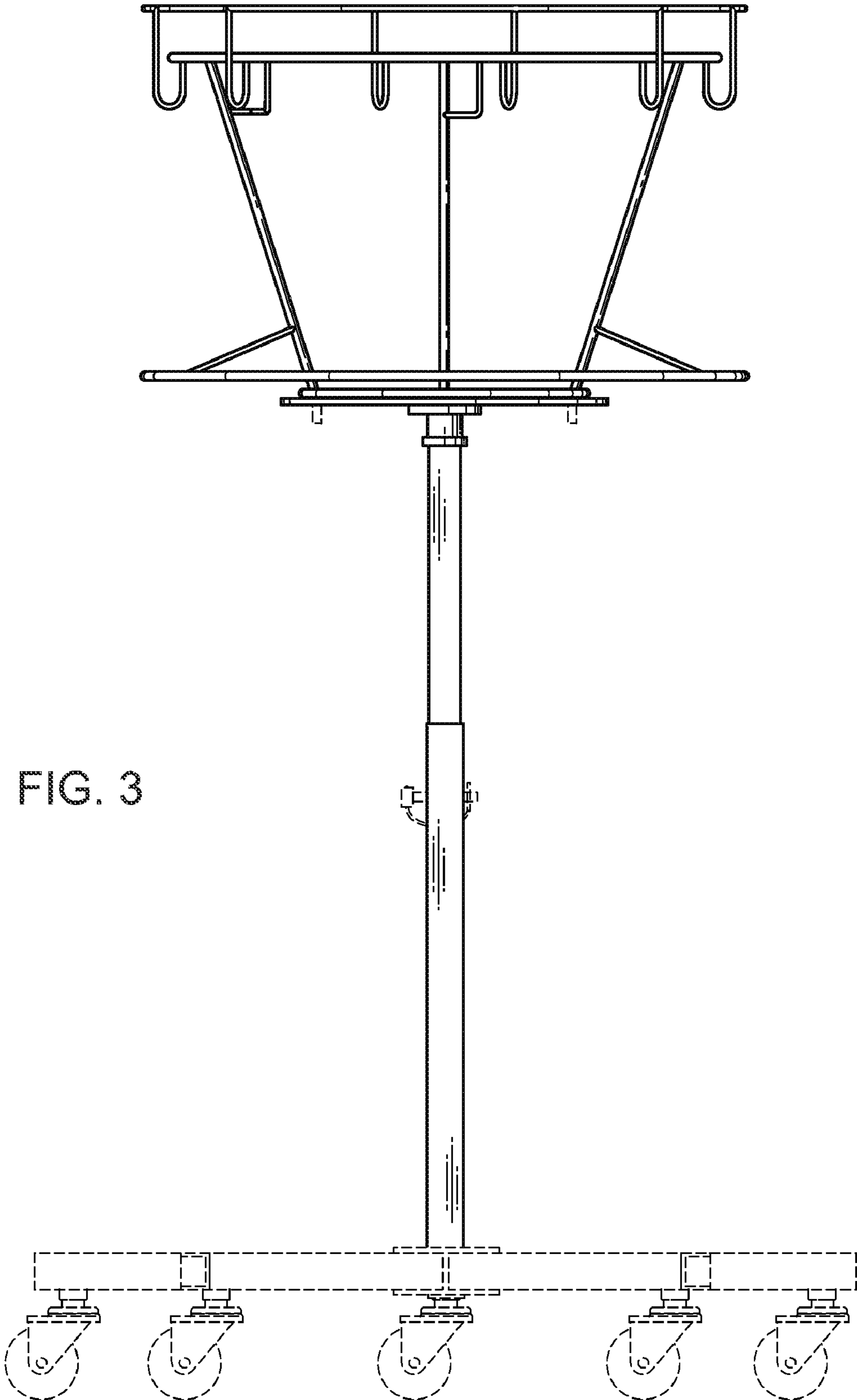


FIG. 3

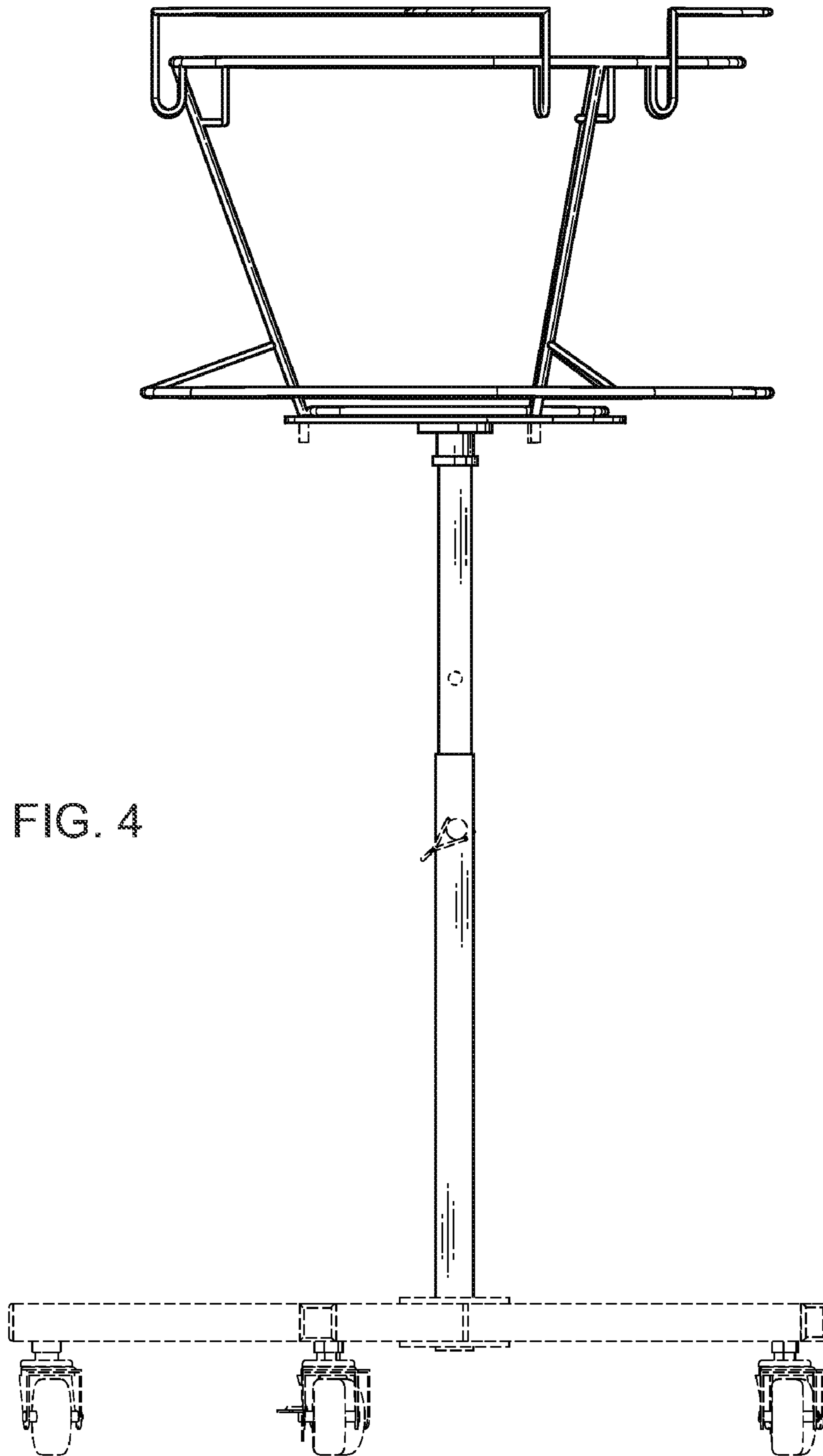


FIG. 4

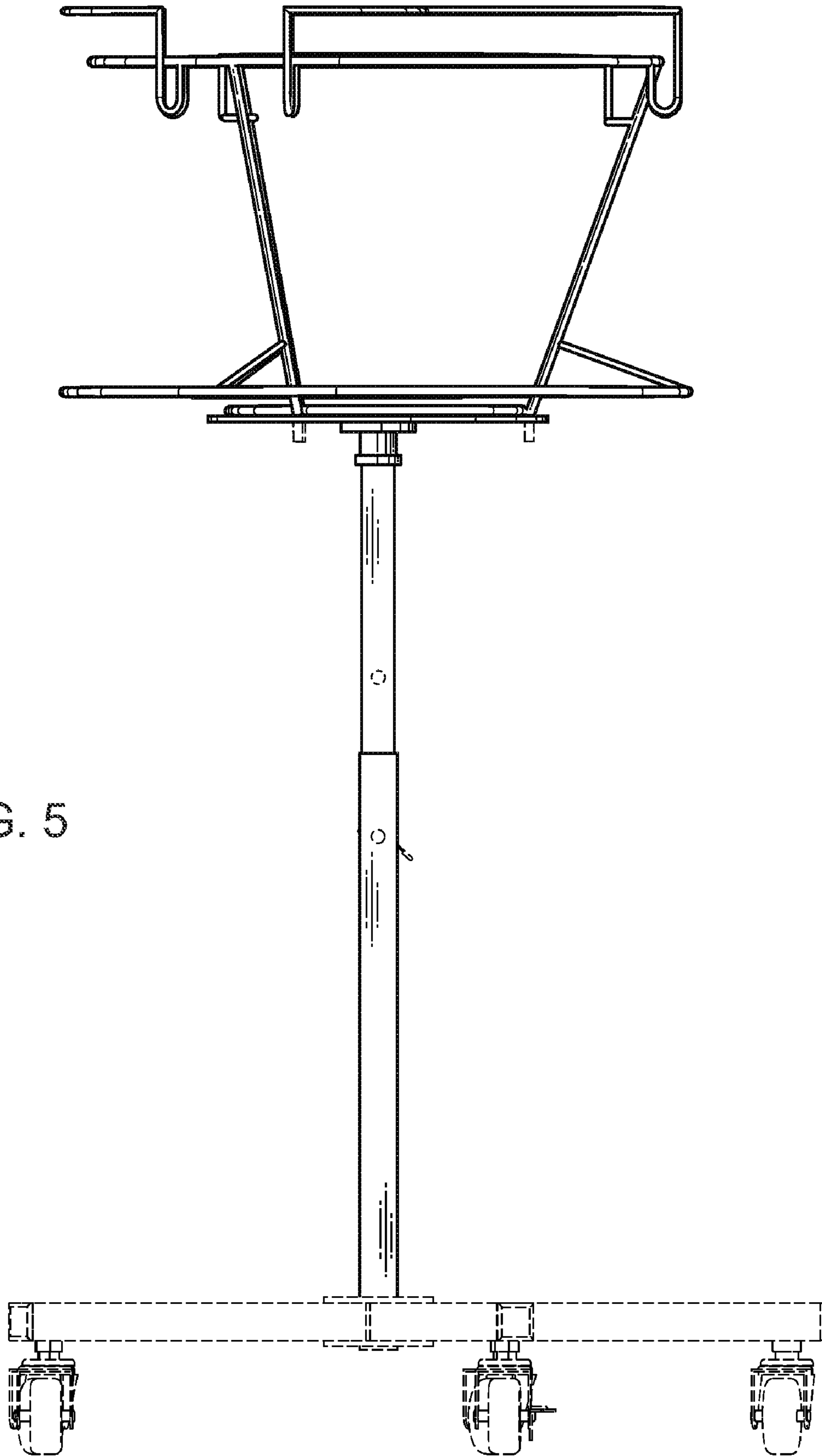


FIG. 5

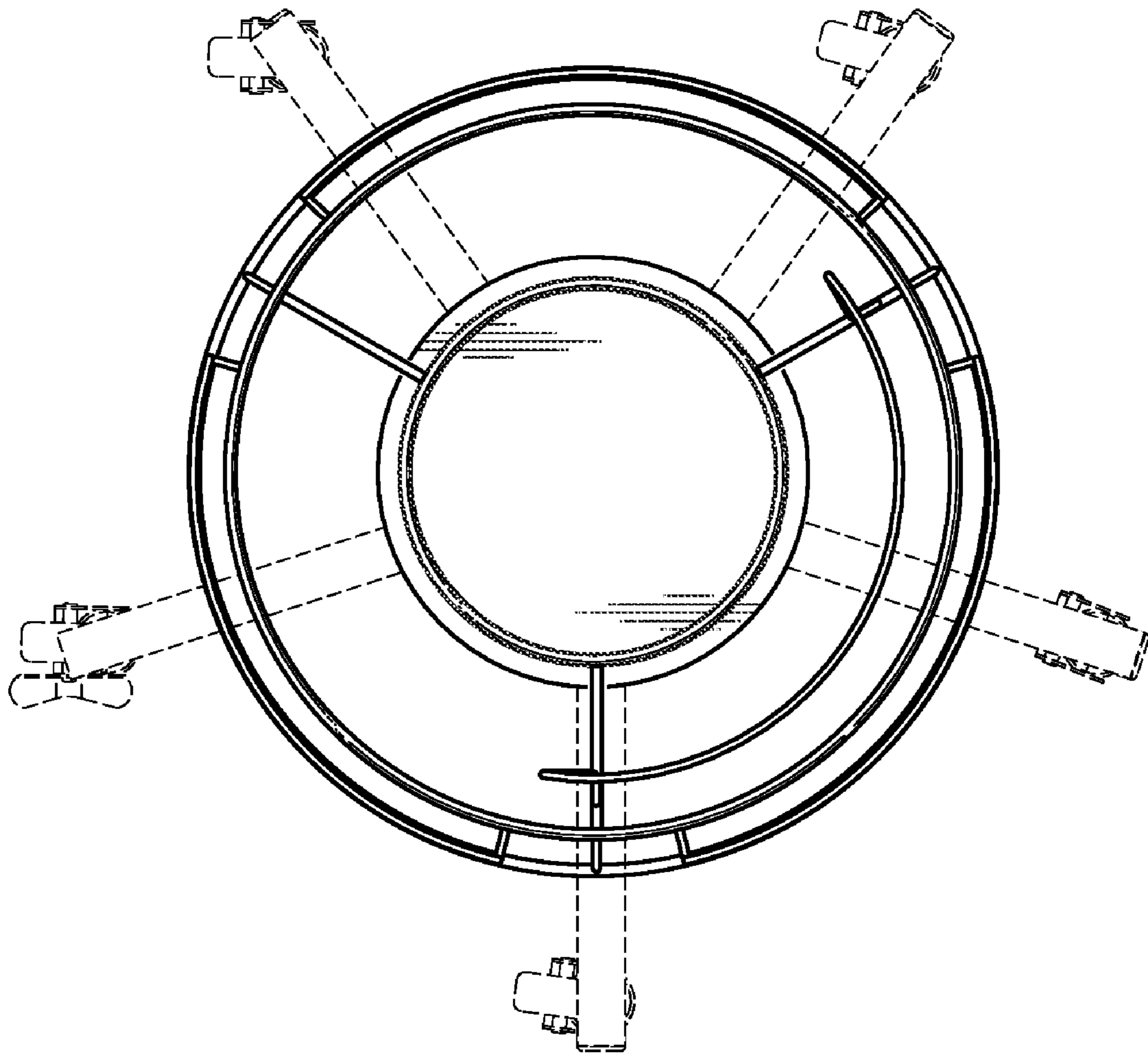


FIG. 6