



US00D568464S

(12) **United States Design Patent**
Attolini

(10) **Patent No.:** **US D568,464 S**

(45) **Date of Patent:** **** May 6, 2008**

(54) **COMPACT NEBULISER**

(75) Inventor: **Emilio Attolini**, Parma (IT)

(73) Assignee: **Medel S.p.A.**, Torrile (Parma) (IT)

(**) Term: **14 Years**

(21) Appl. No.: **29/251,281**

(22) Filed: **Jan. 6, 2006**

(30) **Foreign Application Priority Data**

Oct. 13, 2005 (EM) 000415302

(51) **LOC (8) Cl.** **29-02**

(52) **U.S. Cl.** **D24/110**

(58) **Field of Classification Search** D24/110,
D24/111, 108; D23/360; D15/7, 9; 128/200.14,
128/200.16, 200.21, 204.18, 203.12

See application file for complete search history.

(56) **References Cited**

U.S. PATENT DOCUMENTS

3,812,853 A * 5/1974 Crain 128/200.17

D258,685 S * 3/1981 Reichl D23/360
D266,701 S * 10/1982 Marloth D24/110
D366,314 S * 1/1996 Kaizaki et al. D24/110
D381,415 S * 7/1997 Iddon et al. D24/110
D437,637 S * 2/2001 Leonhard et al. D24/110
D471,626 S * 3/2003 Terada et al. D24/110
D527,098 S * 8/2006 Cheng D24/110

* cited by examiner

Primary Examiner—Ian Simmons

Assistant Examiner—Christopher Lee

(74) *Attorney, Agent, or Firm*—Arent Fox LLP

(57) **CLAIM**

The ornamental design for a compact nebuliser, as shown and described.

DESCRIPTION

FIG. 1 is a side view of a compact nebuliser showing my new design; and,

FIG. 2 is a perspective view thereof.

1 Claim, 2 Drawing Sheets

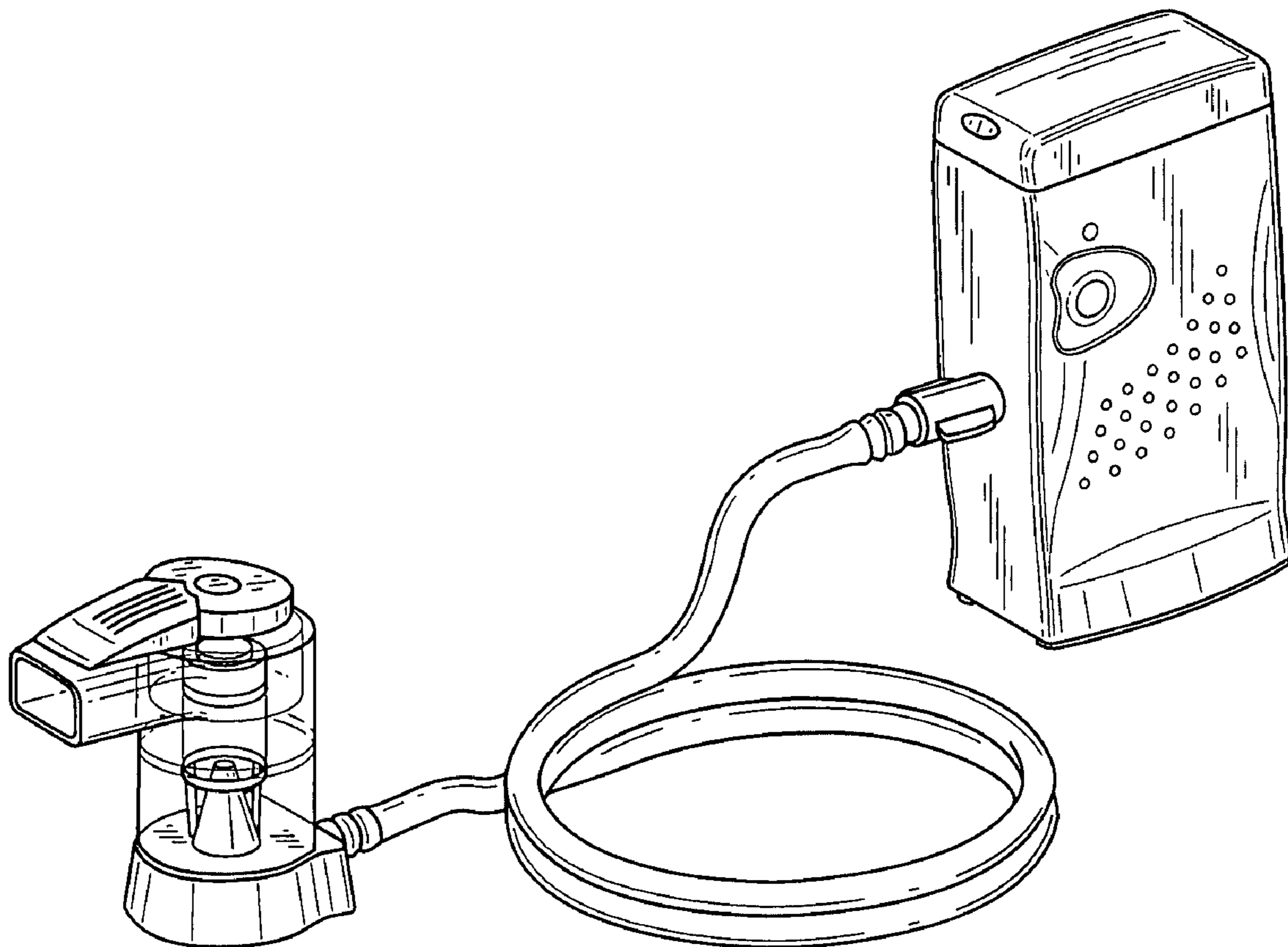


FIG.1

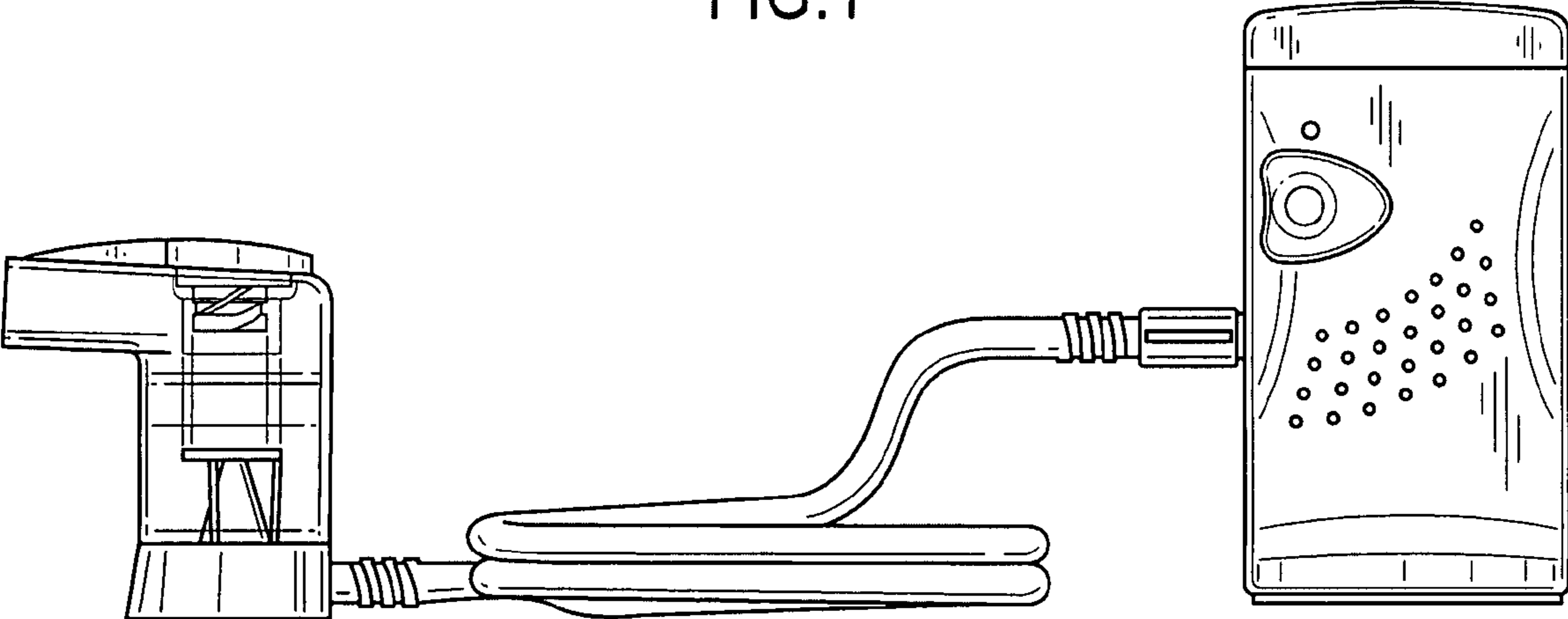


FIG.2

