



US00D568461S

(12) **United States Design Patent**  
**Hidalgo**

(10) **Patent No.:** **US D568,461 S**

(45) **Date of Patent:** **\*\* May 6, 2008**

(54) **CEILING FAN BLADE IRON**

(75) Inventor: **Rolando Hidalgo**, Orange, CA (US)

(73) Assignee: **Minka Lighting, Inc.**, Corona, CA (US)

(\*\*) Term: **14 Years**

(21) Appl. No.: **29/283,001**

(22) Filed: **Aug. 3, 2007**

(51) **LOC (8) Cl.** ..... **23-04**

(52) **U.S. Cl.** ..... **D23/411**

(58) **Field of Classification Search** ..... D23/377,  
D23/379, 385, 411, 413; 416/5  
See application file for complete search history.

(56) **References Cited**

**U.S. PATENT DOCUMENTS**

D388,871 S *	1/1998	Gee, II	.....	D23/413
D407,814 S *	4/1999	Lin	.....	D23/411
D439,322 S *	3/2001	Lee	.....	D23/377
D507,643 S *	7/2005	Burns	.....	D23/411
D508,125 S *	8/2005	Curtin	.....	D23/411
D522,644 S *	6/2006	Curtin	.....	D23/411
D531,306 S *	10/2006	Badarello	.....	D23/413
D549,319 S *	8/2007	Shurtleff	.....	D23/411
D551,758 S *	9/2007	Shurtleff	.....	D23/411
D556,887 S *	12/2007	Curtin	.....	D23/411

**OTHER PUBLICATIONS**

Minka Lavery Internet Catalog; Bijou ceiling fan Model #F699-WSL printed from www.minkagroup.net on Jul. 9, 2007.  
Minka Lavery Internet Catalog; Cristafano Model #F900-BCW printed from www.minkagroup.net on Jul. 9, 2007.

\* cited by examiner

*Primary Examiner*—Lisa Lichtenstein

(74) *Attorney, Agent, or Firm*—Baker & McKenzie LLP

(57) **CLAIM**

The ornamental design for a ceiling fan blade iron, as shown and described.

**DESCRIPTION**

FIG. 1 is a bottom perspective view of a ceiling fan blade iron showing my new design in use;

FIG. 2 is an enlarged bottom perspective view of the ceiling fan blade iron in accordance with my design;

FIG. 3 is an enlarged bottom plan view of the ceiling fan blade iron in accordance with my design;

FIG. 4 is an enlarged top plan view of the ceiling fan blade iron in accordance with my design;

FIG. 5 is an enlarged side elevation view of the ceiling fan blade iron in accordance with my design;

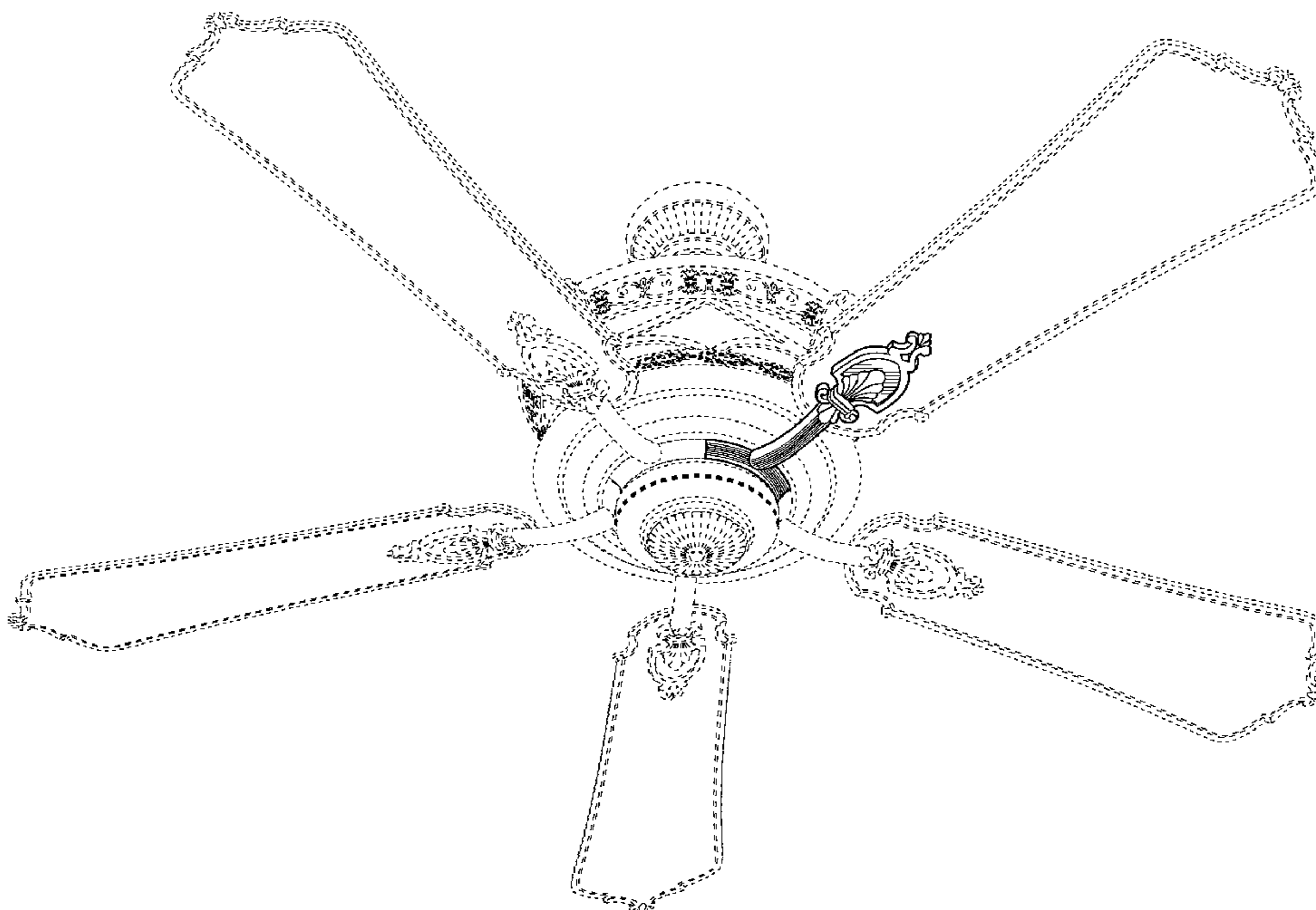
FIG. 6 is an enlarged opposite side elevation view of the ceiling fan blade iron in accordance with my design;

FIG. 7 is an enlarged back elevation view of the ceiling fan blade iron in accordance with my design; and,

FIG. 8 is an enlarged front elevation view of the ceiling fan blade iron in accordance with my design.

The broken line showing of the ceiling fan, the fan blade iron attachment members and the apertures is included for the purpose of illustrating environmental structure and forms no part of the claimed design.

**1 Claim, 3 Drawing Sheets**



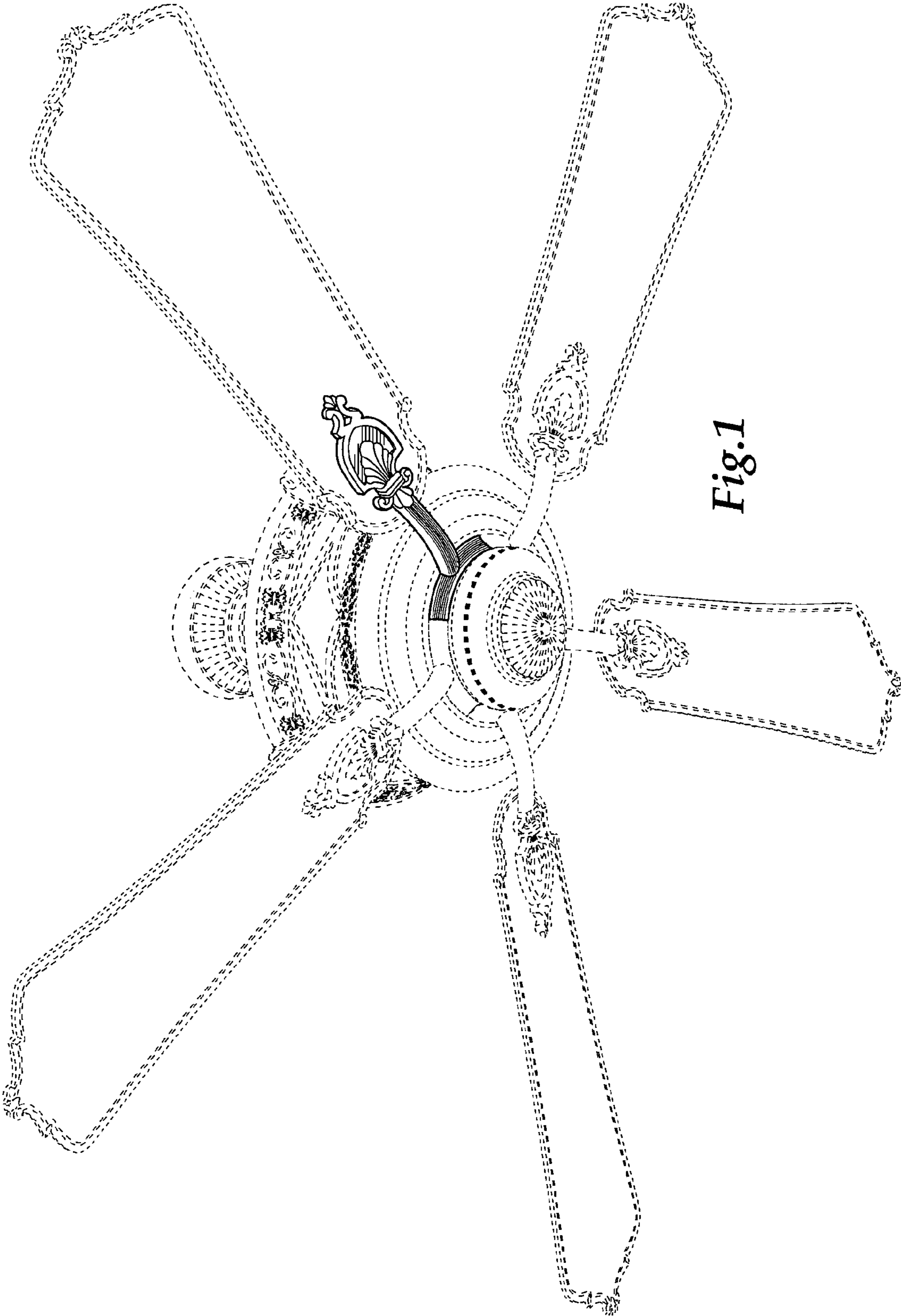
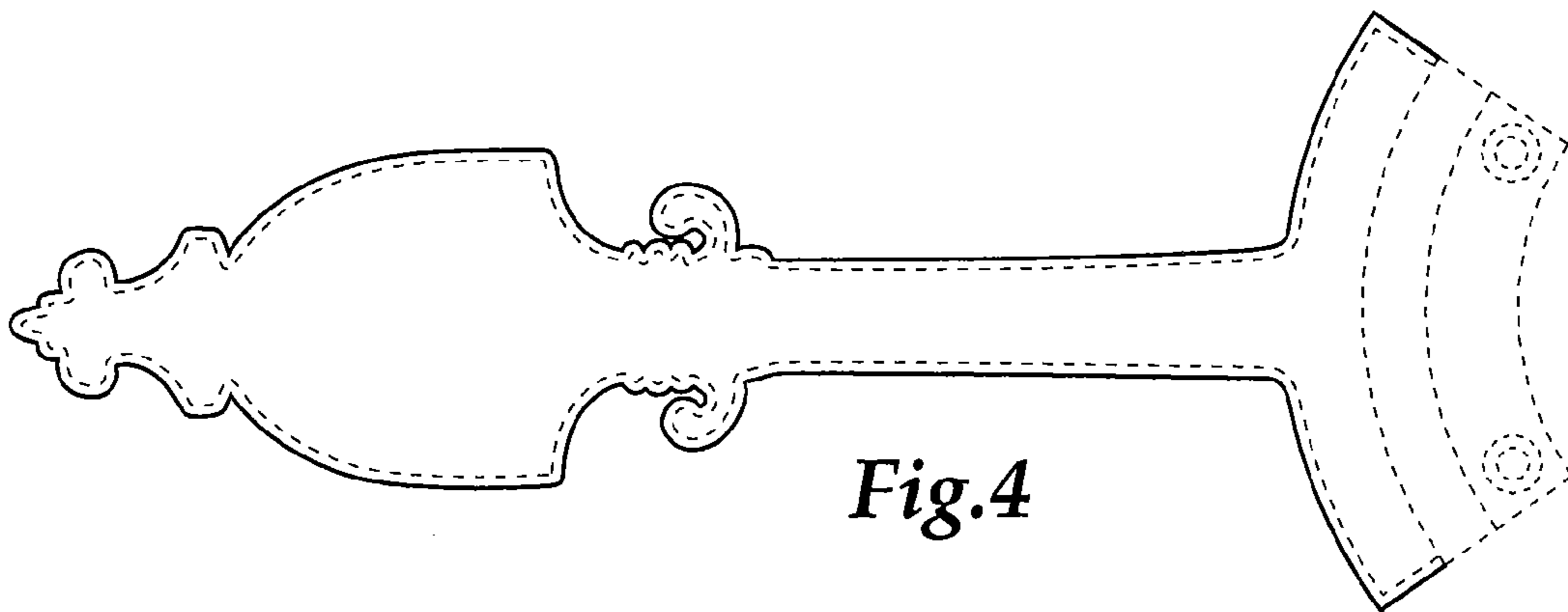
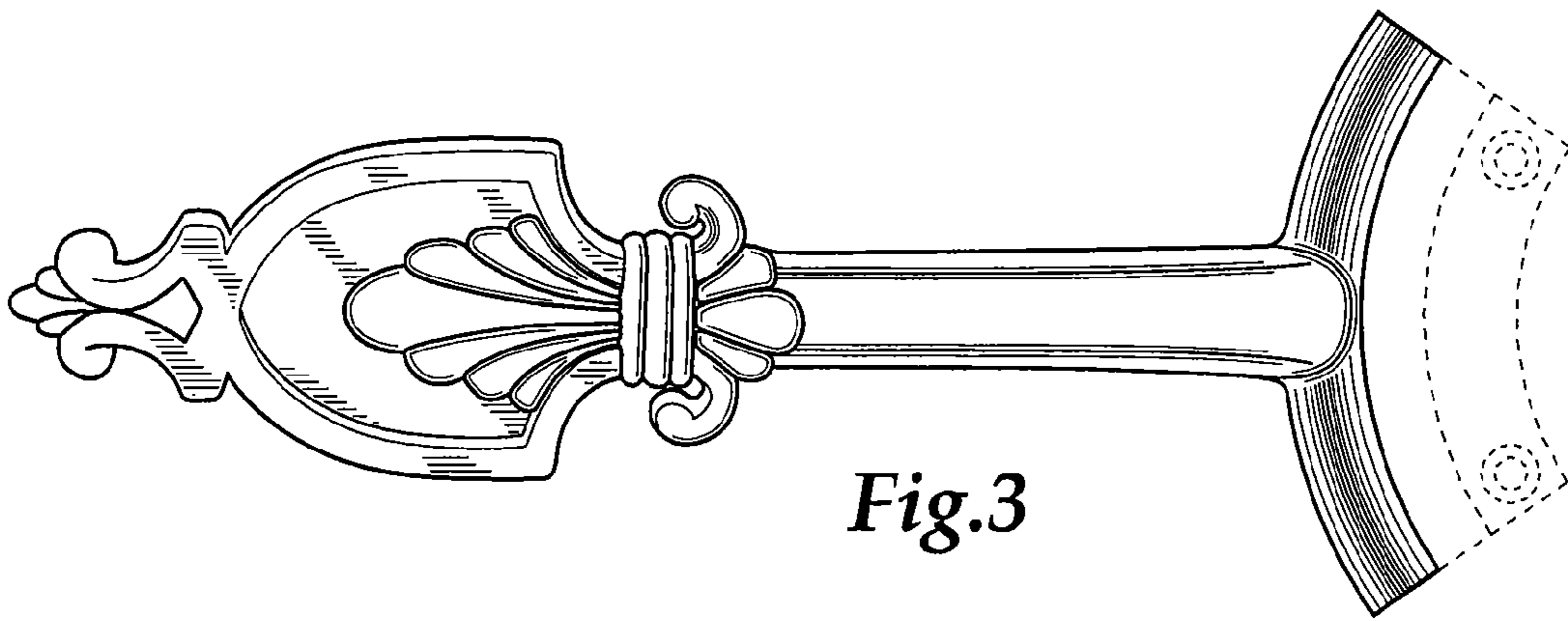
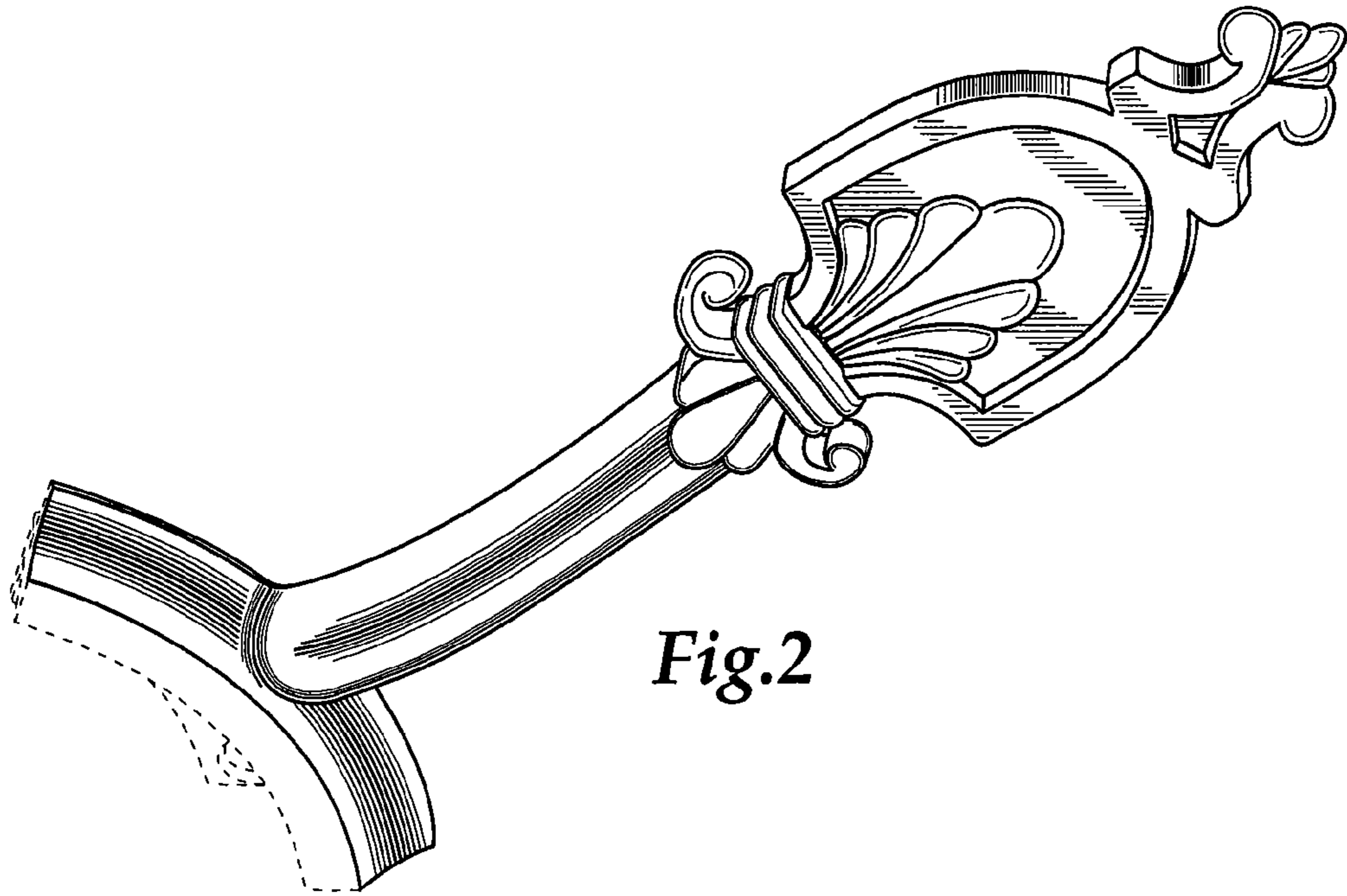
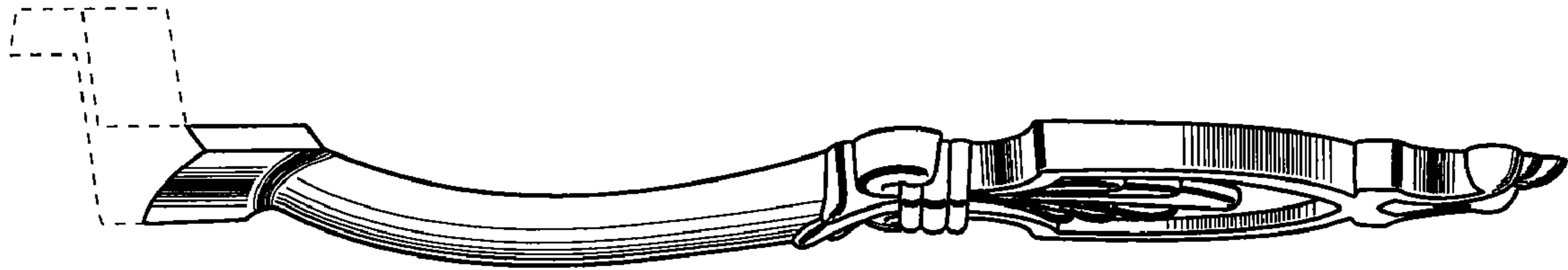
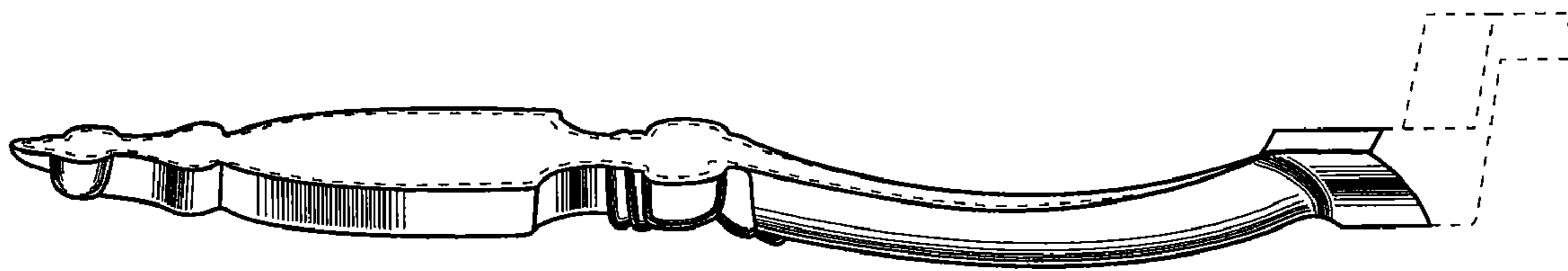


Fig. 1

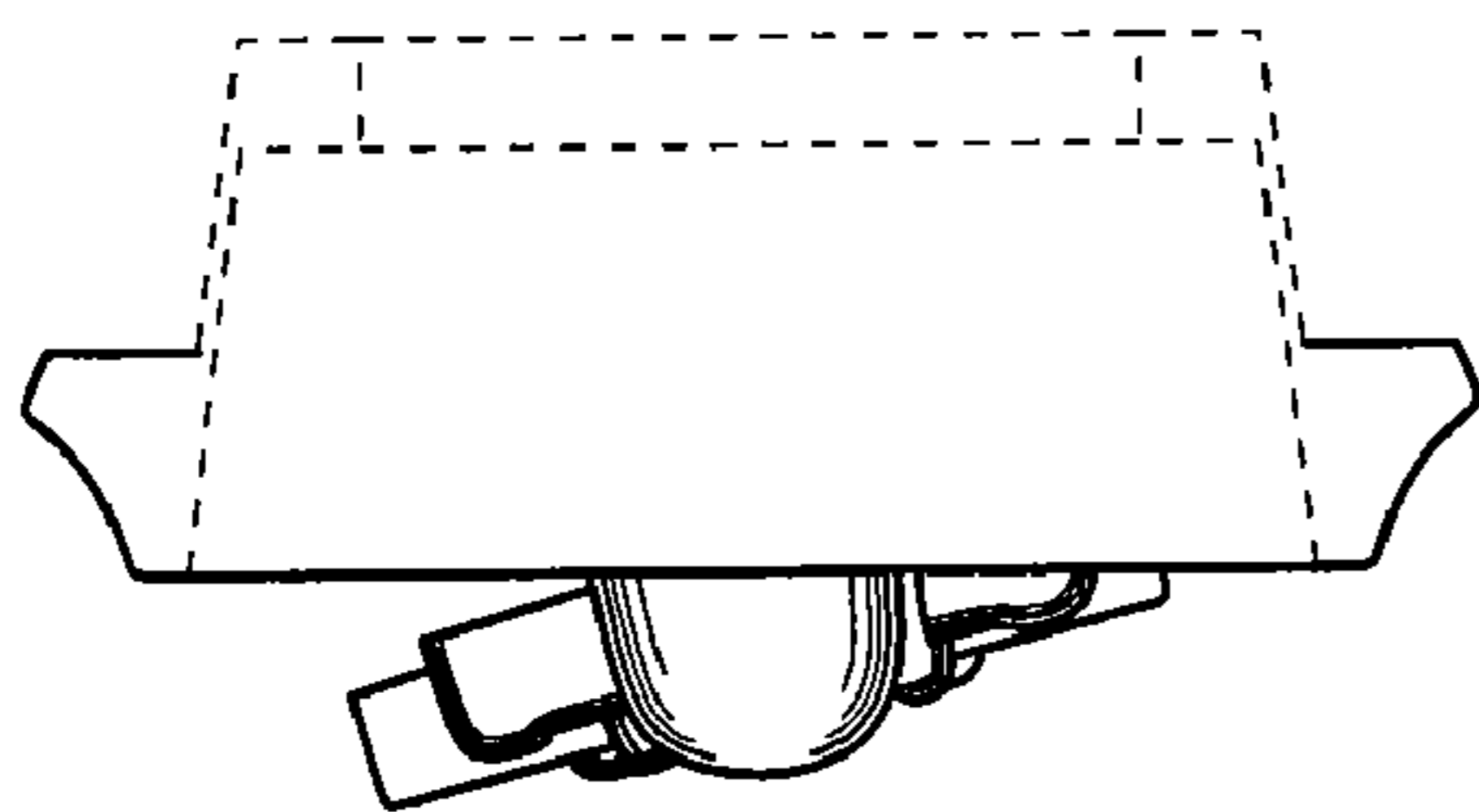




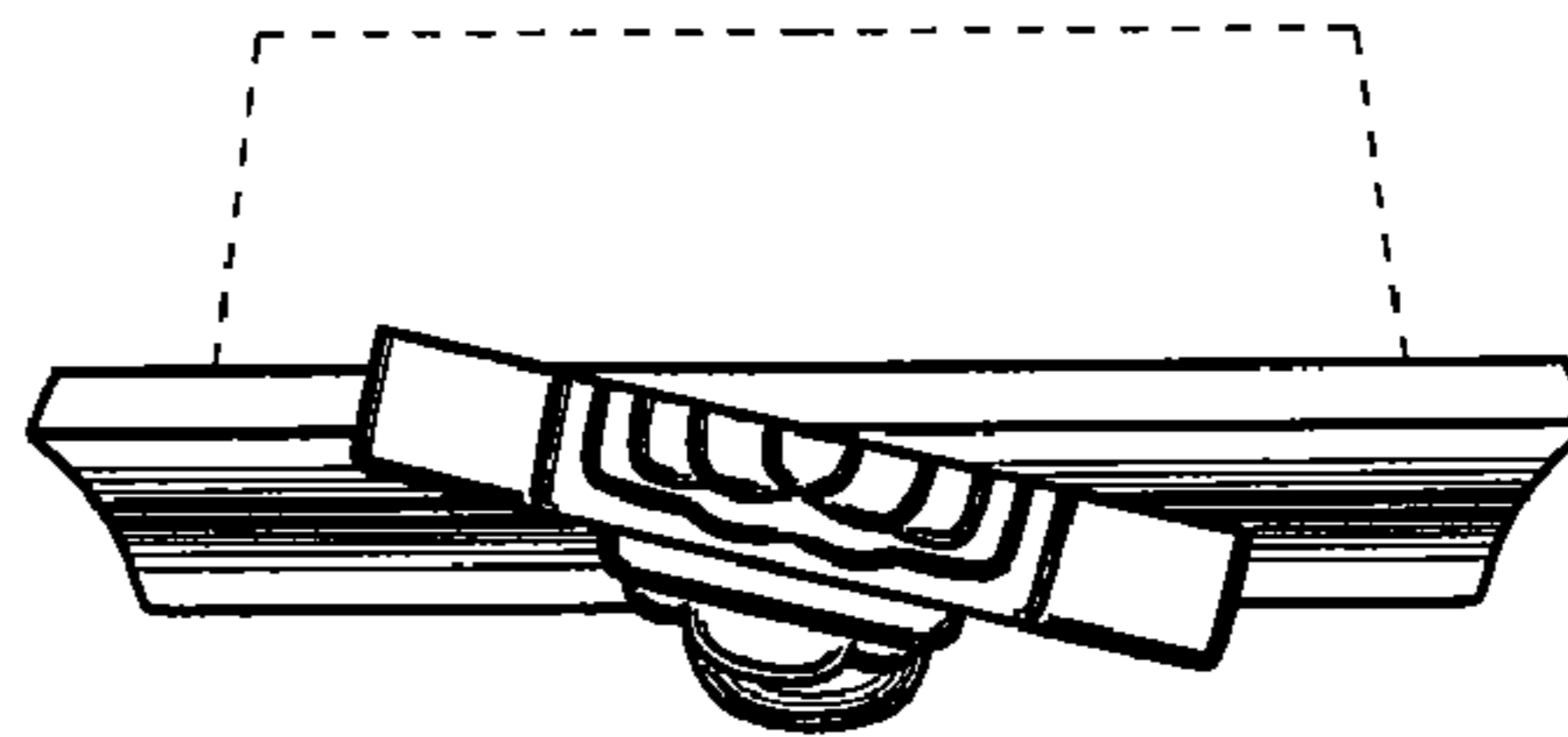
*Fig.5*



*Fig.6*



*Fig.7*



*Fig.8*