



US00D568459S

(12) **United States Design Patent**  
**Wang**

(10) **Patent No.:** **US D568,459 S**

(45) **Date of Patent:** **\*\* May 6, 2008**

(54) **BLOWER**

(76) Inventor: **Hua Chiang Wang**, No. 2342, Sloan Dr., La Verne, CA (US) 91750

(\*\*) Term: **14 Years**

(21) Appl. No.: **29/290,042**

(22) Filed: **Oct. 17, 2007**

(51) **LOC (8) Cl.** ..... **23-04**

(52) **U.S. Cl.** ..... **D23/383**

(58) **Field of Classification Search** ..... D23/383,  
D23/370; 415/204, 206, 213.1, 214.1  
See application file for complete search history.

(56) **References Cited**

**U.S. PATENT DOCUMENTS**

D481,116 S	*	10/2003	Wang et al.	.....	D23/383
D503,788 S	*	4/2005	Lin et al.	.....	D23/383
D510,995 S	*	10/2005	Tam	.....	D23/383
D534,269 S	*	12/2006	Liang	.....	D23/383

\* cited by examiner

*Primary Examiner*—Lisa Lichtenstein

(74) *Attorney, Agent, or Firm*—Bacon & Thomas, PLLC

(57) **CLAIM**

The ornamental design for a blower, as shown and described.

**DESCRIPTION**

FIG. 1 is a front-left-top perspective view of a blower showing my new design;

FIG. 2 is a front elevational view thereof;

FIG. 3 is a rear elevational view thereof;

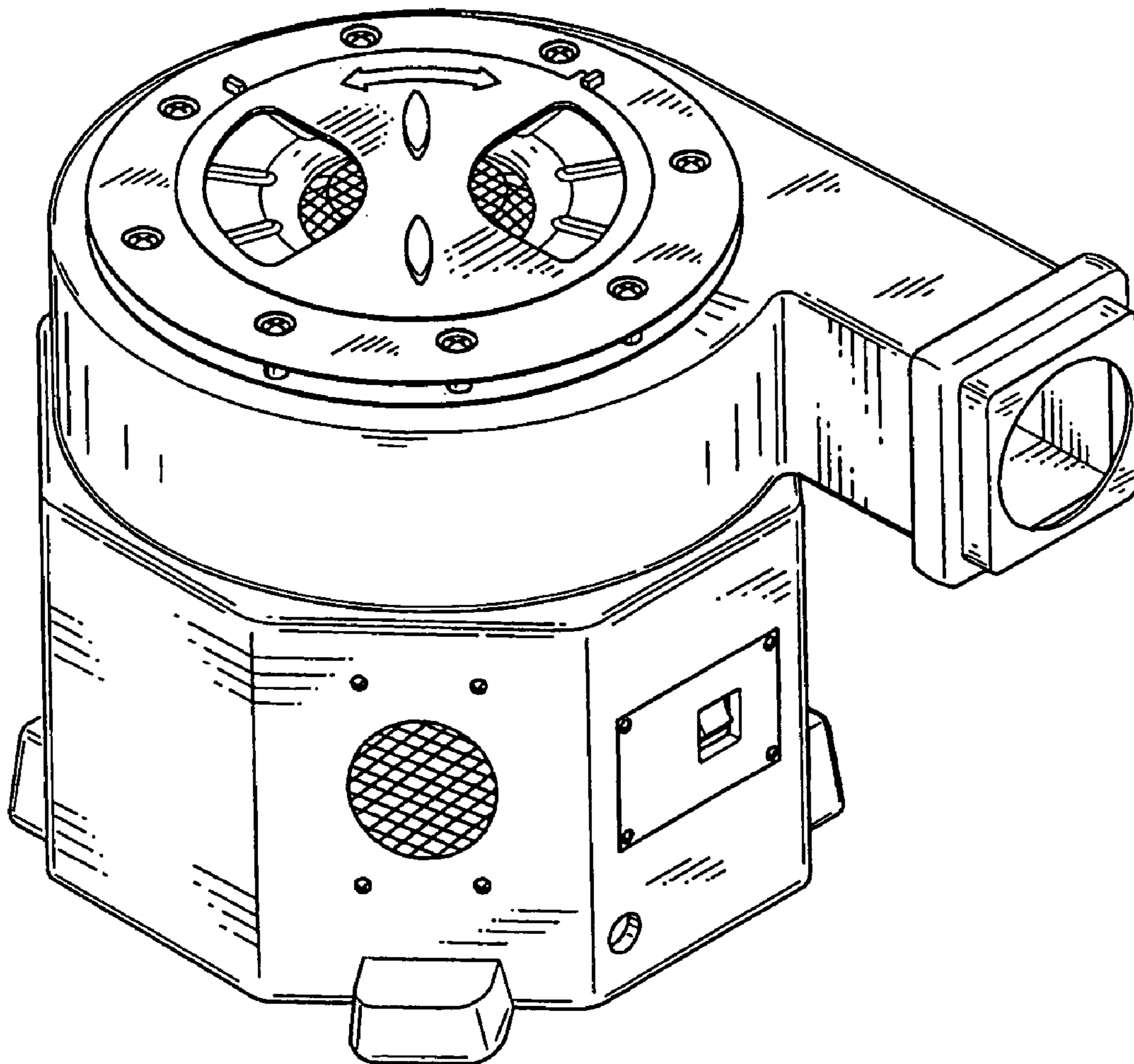
FIG. 4 is a left side elevational view thereof;

FIG. 5 is a right side elevational view thereof;

FIG. 6 is a top plan view thereof; and,

FIG. 7 is a bottom plan view thereof.

**1 Claim, 7 Drawing Sheets**



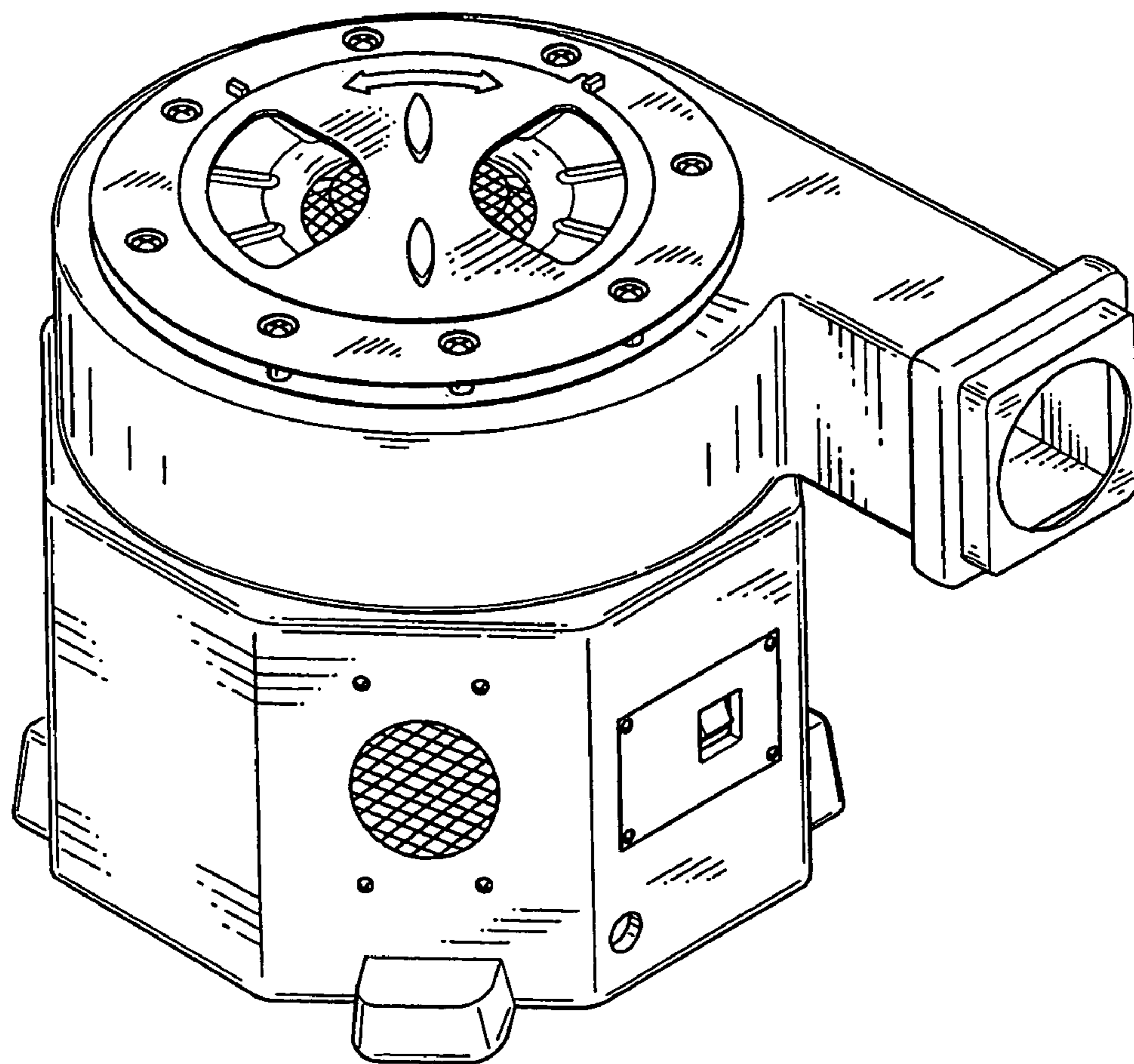


FIG. 1

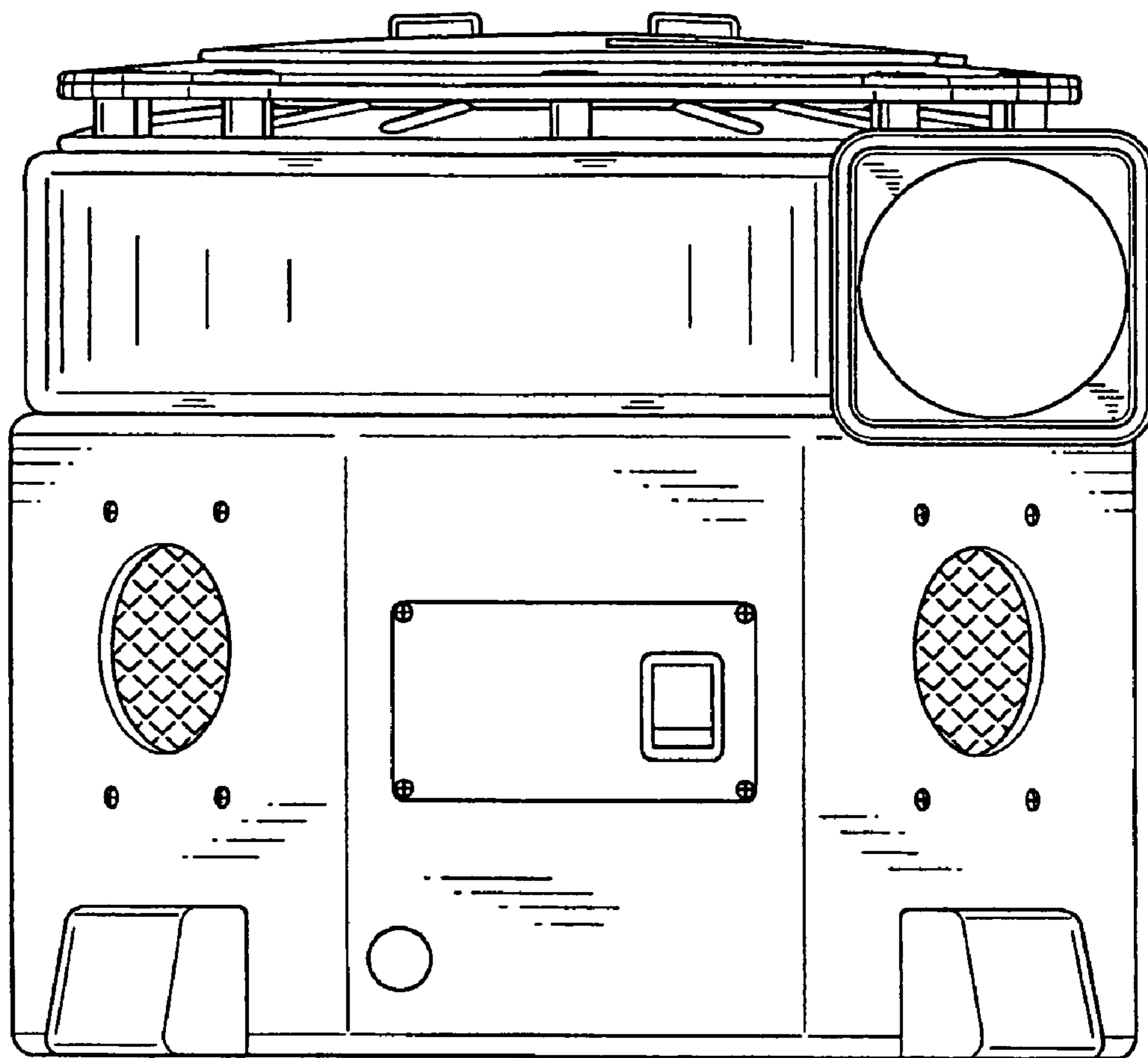


FIG. 2

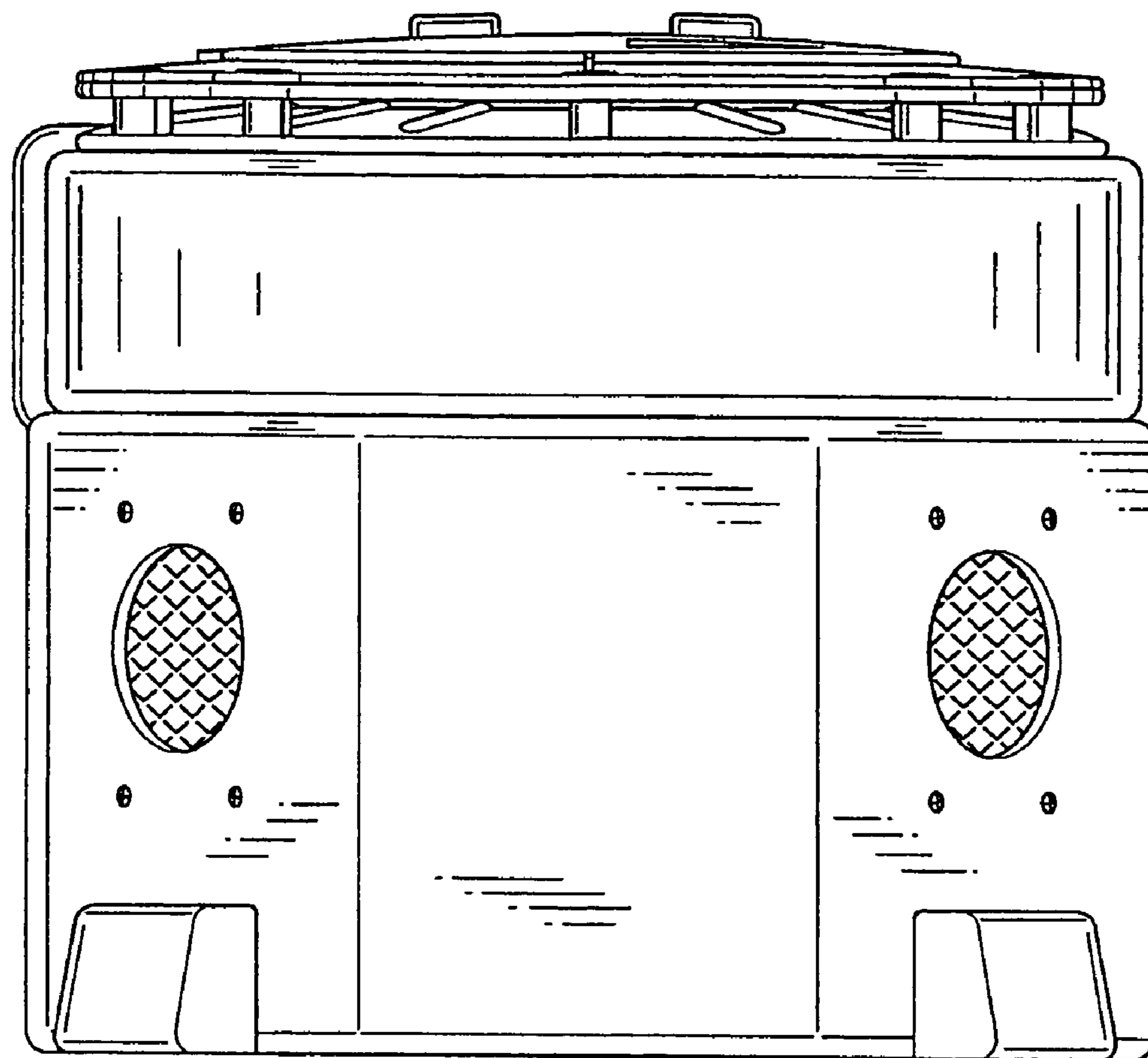


FIG. 3

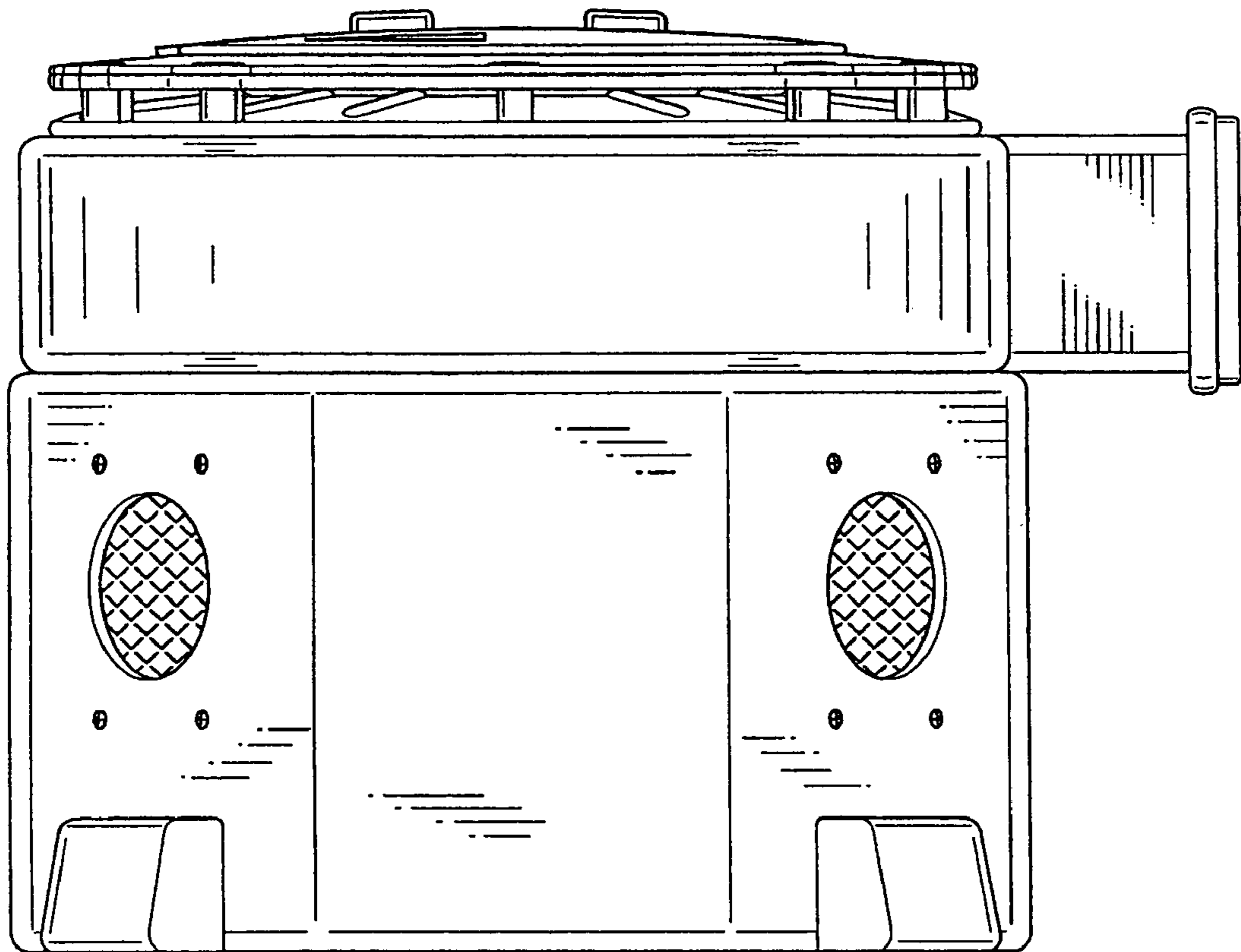


FIG. 4

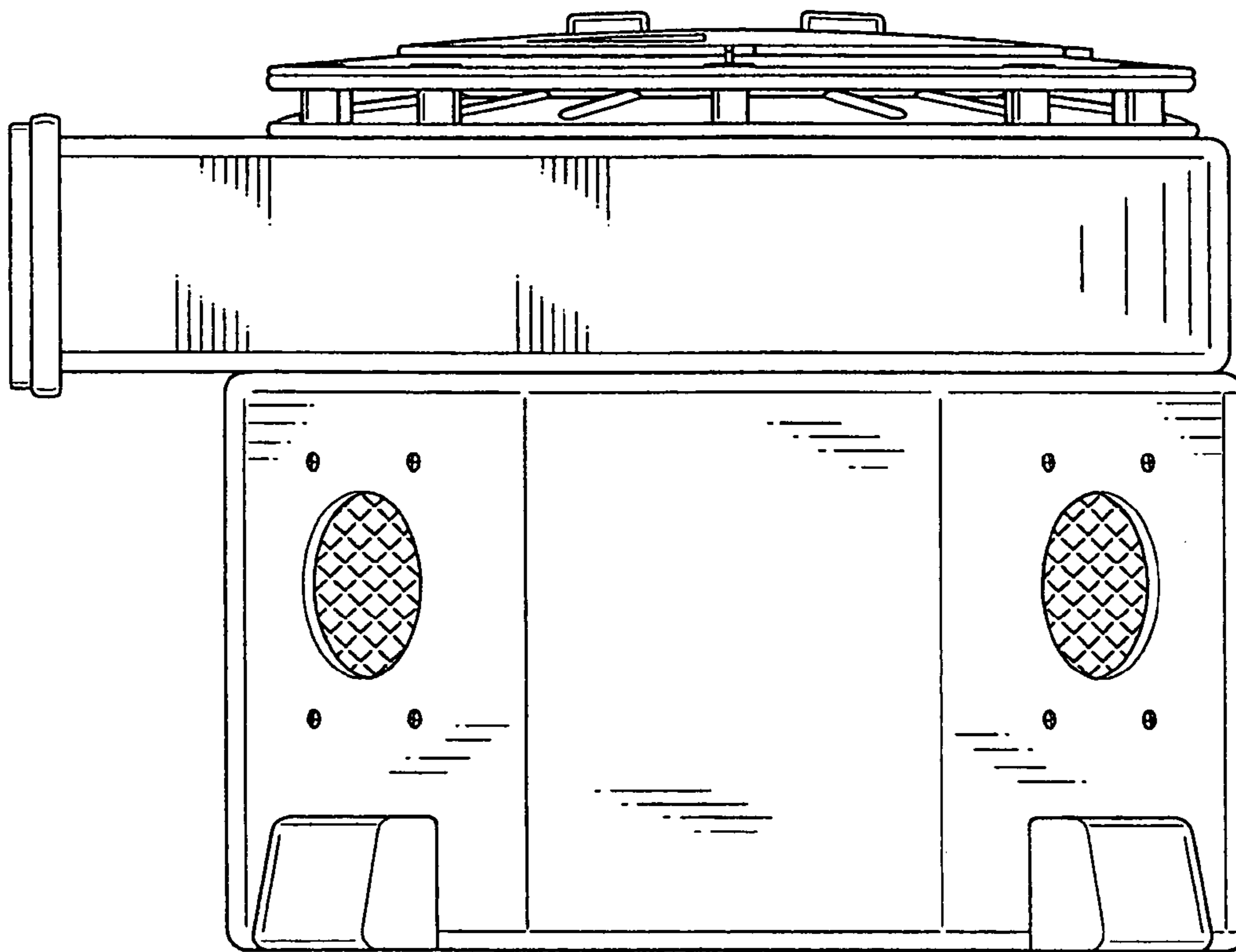


FIG. 5

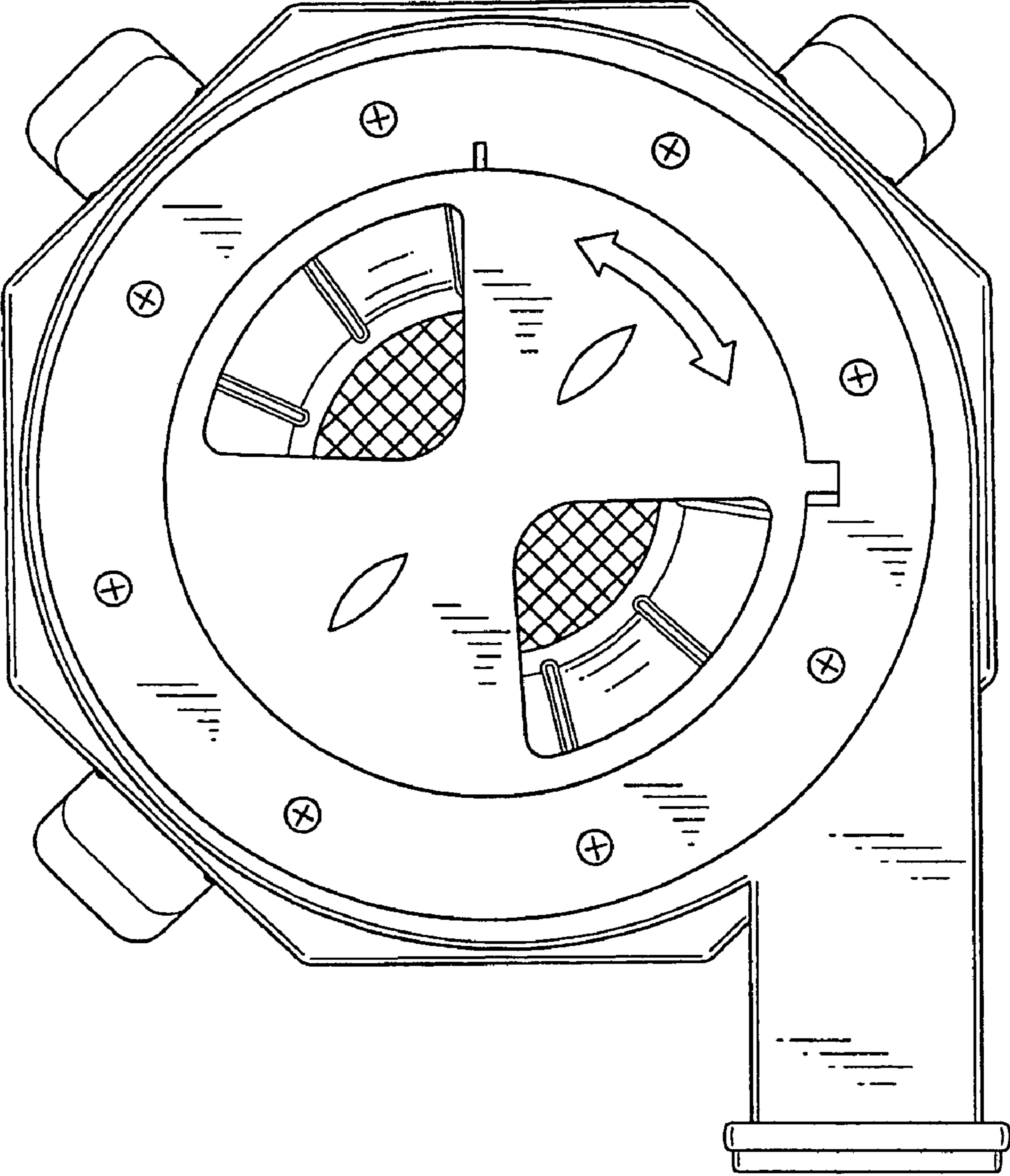


FIG. 6

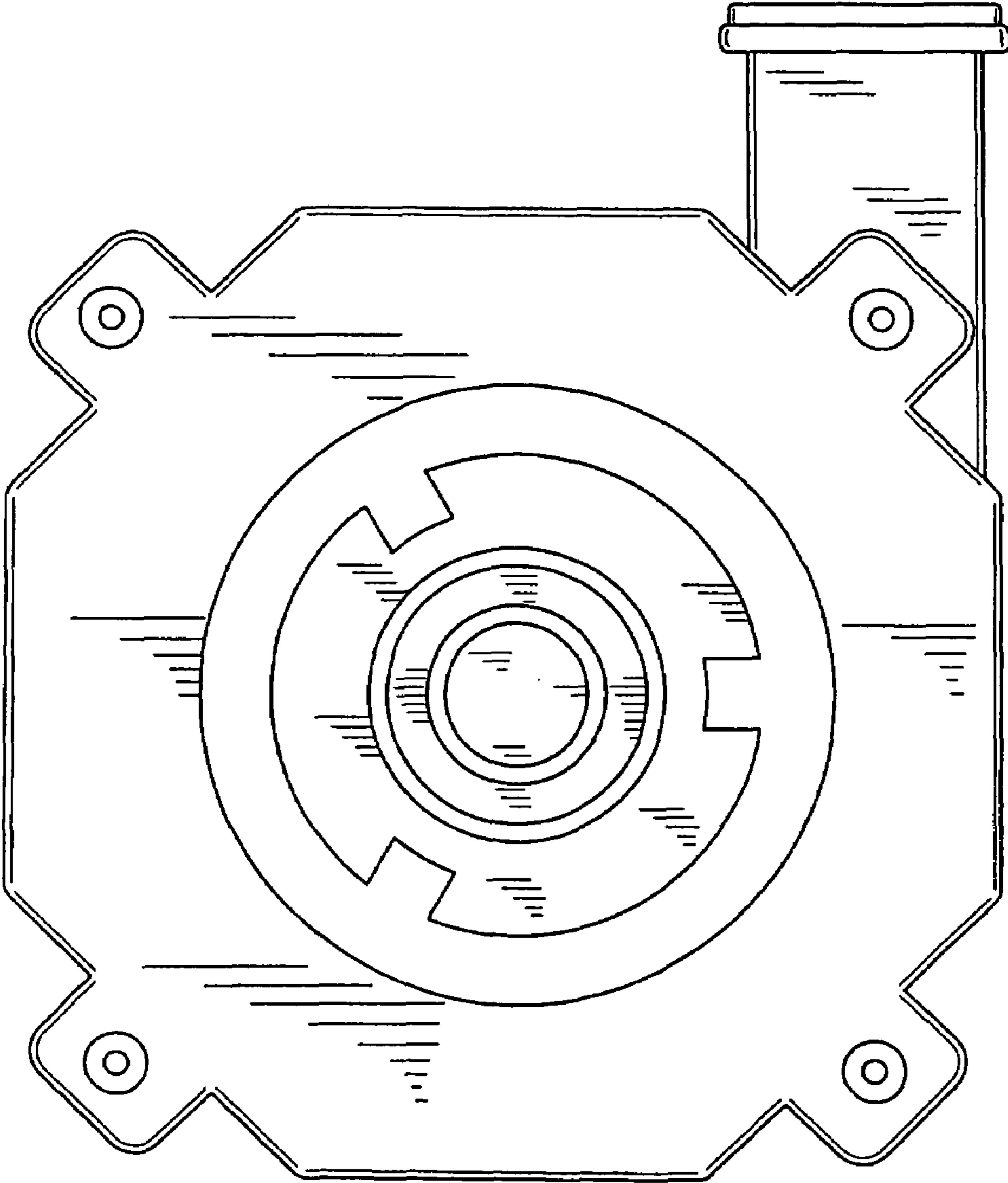


FIG. 7