

US00D568457S

(12) **United States Design Patent** (10) **Patent No.:** **US D568,457 S**
Lebeuf et al. (45) **Date of Patent:** **** May 6, 2008**

(54) **TELESCOPIC FRONT PORTION OF A KITCHEN HOOD**

(75) Inventors: **Jean-François Lebeuf**, Brossard (CA);
Benoit Orban, Saint-Lambert (CA);
Patrick Mainville, Montreal (CA)

(73) Assignee: **Venmar Ventilation Inc.**,
Drummondville (CA)

(**) Term: **14 Years**

(21) Appl. No.: **29/225,399**

(22) Filed: **Mar. 16, 2005**

(30) **Foreign Application Priority Data**

Sep. 17, 2004 (CA) 108390

(51) **LOC (8) Cl.** **23-04**

(52) **U.S. Cl.** **D23/372**

(58) **Field of Classification Search** D23/372,
D23/371; 126/299 R, 299 D

See application file for complete search history.

(56) **References Cited**

U.S. PATENT DOCUMENTS

D450,379 S *	11/2001	Strand et al.	D23/372
D482,769 S *	11/2003	Bothe et al.	D23/372
D489,805 S *	5/2004	Vetter	D23/371
D532,508 S *	11/2006	Cheng	D23/372

* cited by examiner

Primary Examiner—Lisa Lichtenstein

(57) **CLAIM**

The ornamental design for a telescopic front portion of a kitchen hood, as shown and described.

DESCRIPTION

FIG. 1 is a top plan view of the telescopic front portion of a kitchen hood in an extended aspect;

FIG. 2 is a front perspective view of the telescopic front portion of a kitchen hood of FIG. 1;

FIG. 3 is a front view of the telescopic front portion of a kitchen hood of FIG. 1;

FIG. 4 is a right elevation view of the telescopic front portion of a kitchen hood of FIG. 1;

FIG. 5 is a bottom view of the telescopic front portion of a kitchen hood of FIG. 1;

FIG. 6 is a bottom perspective view of the telescopic front portion of a kitchen hood of FIG. 1;

FIG. 7 is a rear perspective view of the telescopic front portion of a kitchen hood of FIG. 1;

FIG. 8 is a top plan view of the telescopic front portion of a kitchen hood of FIG. 1 in a retracted aspect;

FIG. 9 is a front perspective view of the telescopic front portion of a kitchen hood of FIG. 8;

FIG. 10 is a front view of the telescopic front portion of a kitchen hood of FIG. 8;

FIG. 11 is a right elevation view of the telescopic front portion of a kitchen hood of FIG. 8;

FIG. 12 is a bottom view of the telescopic front portion of a kitchen hood of FIG. 8;

FIG. 13 is a bottom perspective view of the telescopic front portion of a kitchen hood of FIG. 8;

FIG. 14 is a rear perspective view of the telescopic front portion of a kitchen hood of FIG. 8;

FIG. 15 is a top plan view of a variant of the telescopic front portion of a kitchen hood in an extended aspect;

FIG. 16 is a front perspective view of the telescopic front portion of a kitchen hood of FIG. 15;

FIG. 17 is a front view of the telescopic front portion of a kitchen hood of FIG. 15;

FIG. 18 is a right elevation view of the telescopic front portion of a kitchen hood of FIG. 15;

FIG. 19 is a bottom view of the telescopic front portion of a kitchen hood of FIG. 15;

FIG. 20 is a bottom perspective view of the telescopic front portion of a kitchen hood of FIG. 15;

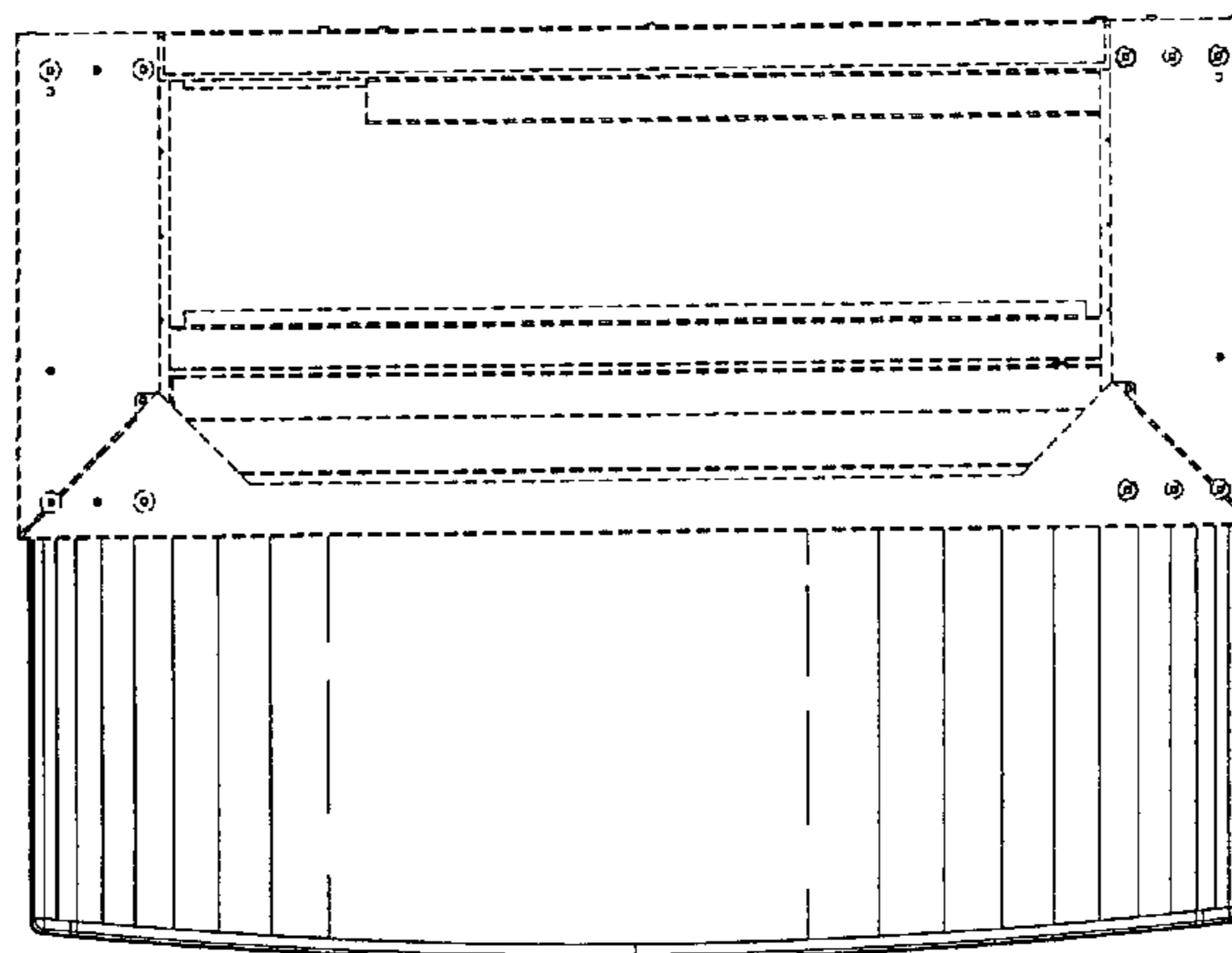


FIG. **21** is a rear perspective view of the telescopic front portion of a kitchen hood of FIG. **15**;

FIG. **22** is a top plan view of the telescopic front portion of a kitchen hood of FIG. **15** in a retracted aspect;

FIG. **23** is a front perspective view of the telescopic front portion of a kitchen hood of FIG. **22**;

FIG. **24** is a front view of the telescopic front portion of a kitchen hood of FIG. **22**;

FIG. **25** is a right elevation view of the telescopic front portion of a kitchen hood of FIG. **22**;

FIG. **26** is a bottom view of the telescopic front portion of a kitchen hood of FIG. **22**;

FIG. **27** is a bottom perspective view of the telescopic front portion of a kitchen hood of FIG. **22**; and,

FIG. **28** is a rear perspective view of the telescopic front portion of a kitchen hood of FIG. **22**.

The broken line showing of the rear, side, top and bottom portions of a kitchen hood is included for the purpose of illustrating environmental structure and forms no part of the claimed design.

1 Claim, 12 Drawing Sheets

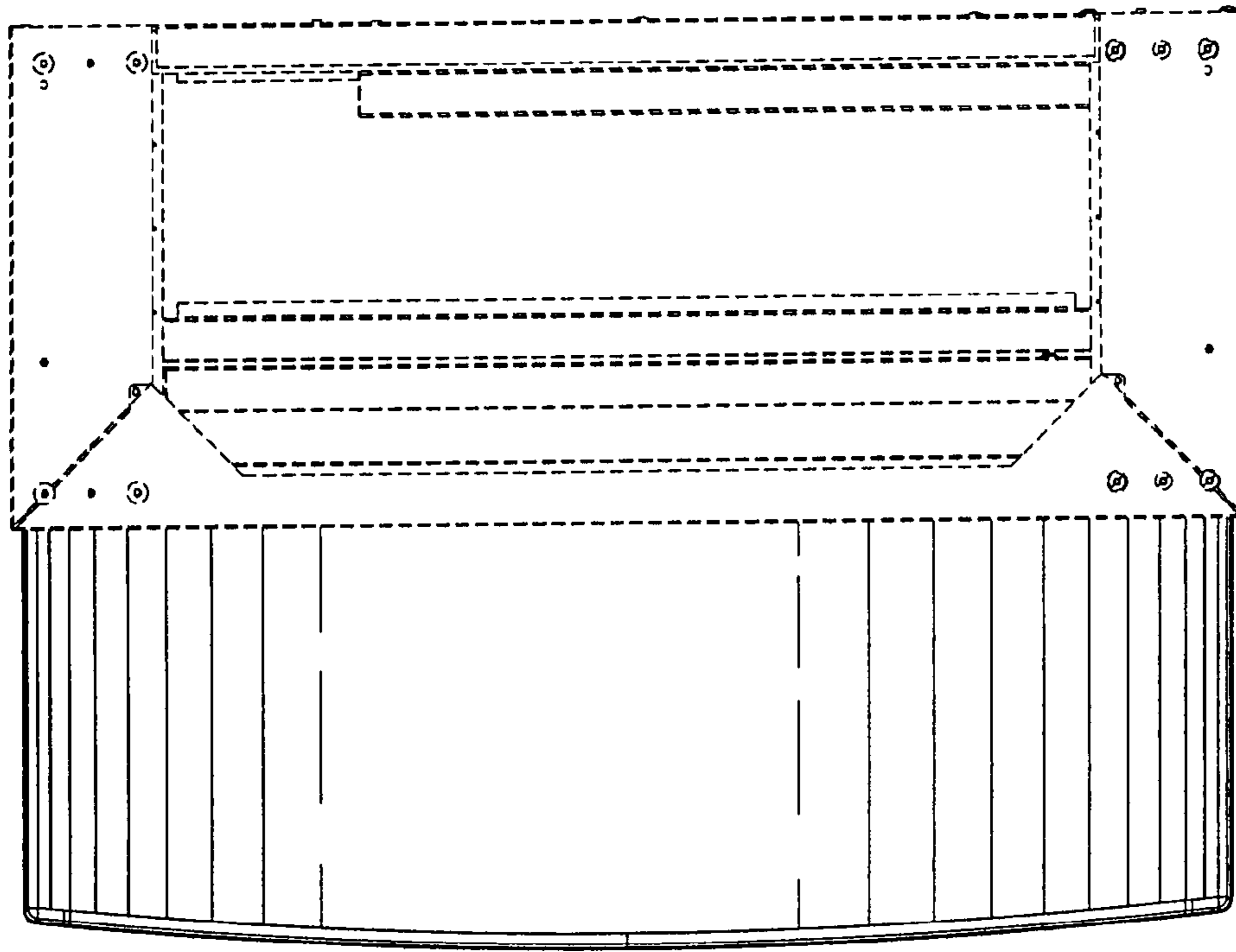


FIG. 1

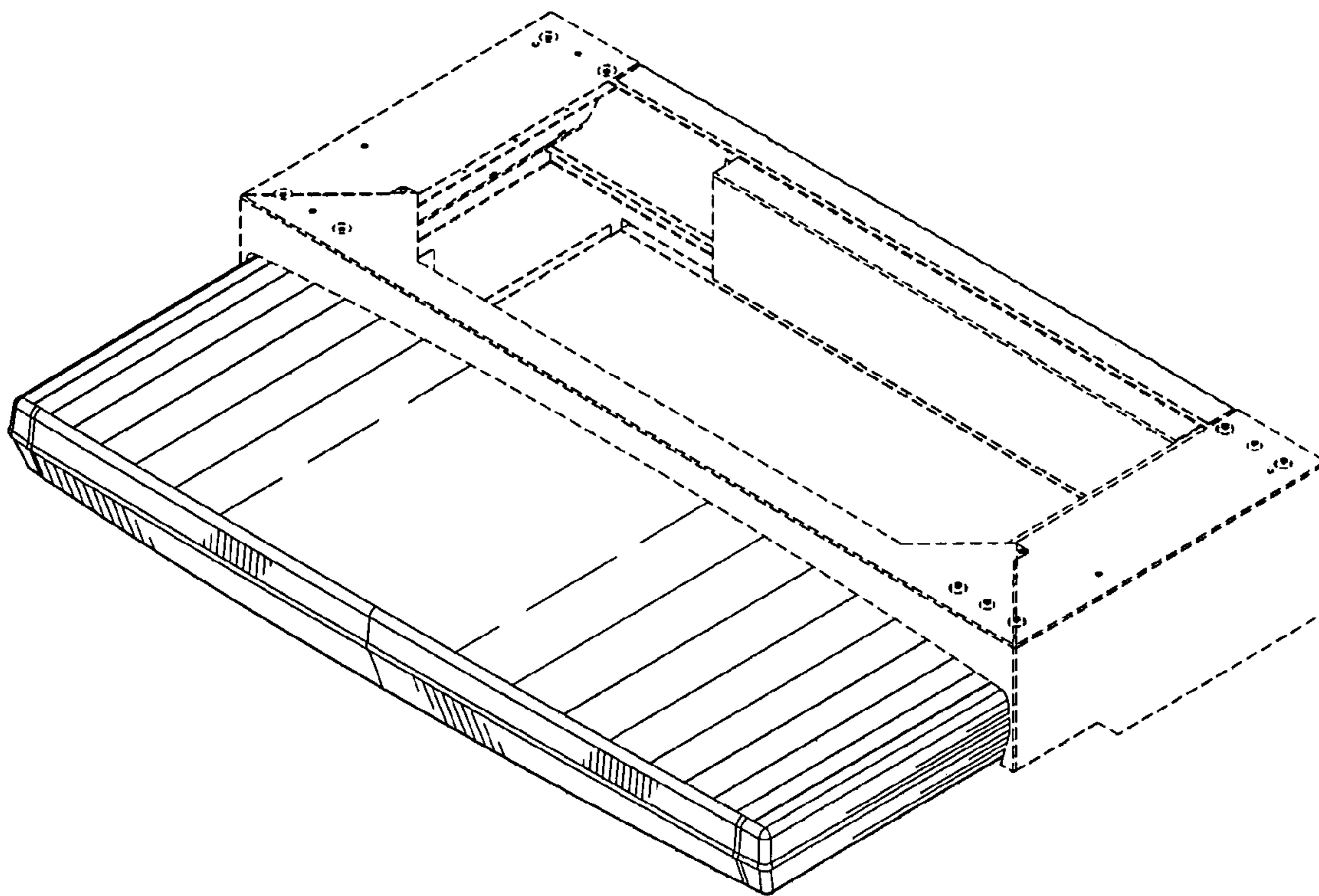


FIG. 2

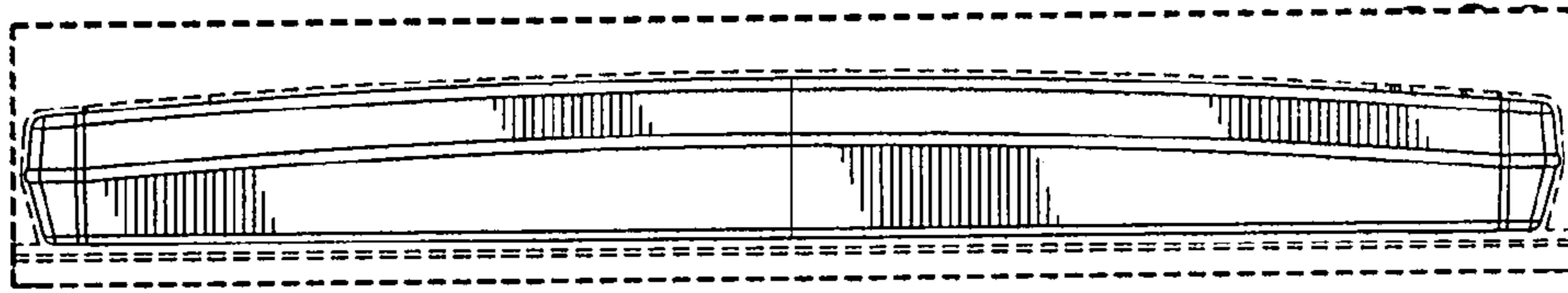


FIG. 3

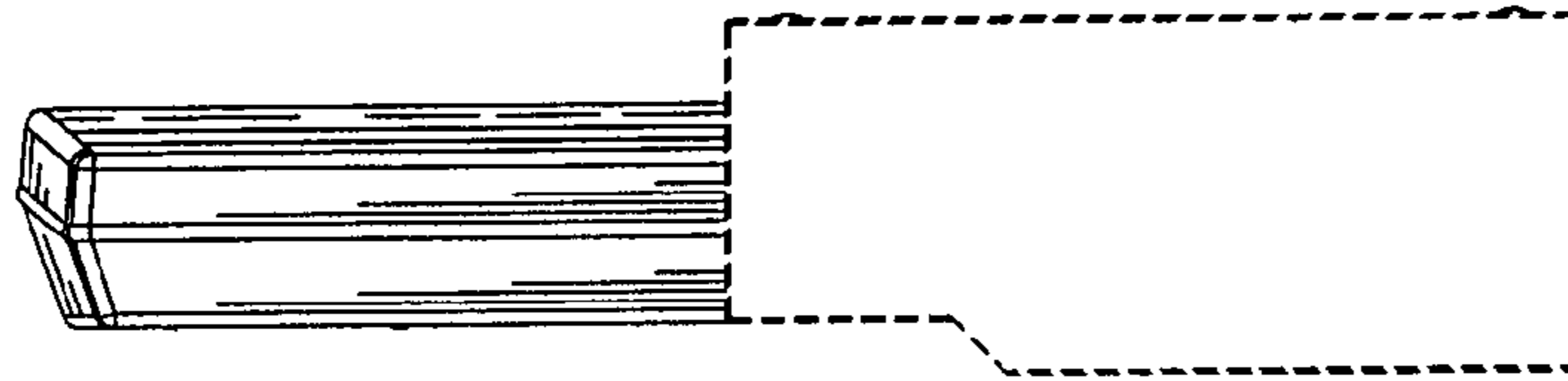


FIG. 4

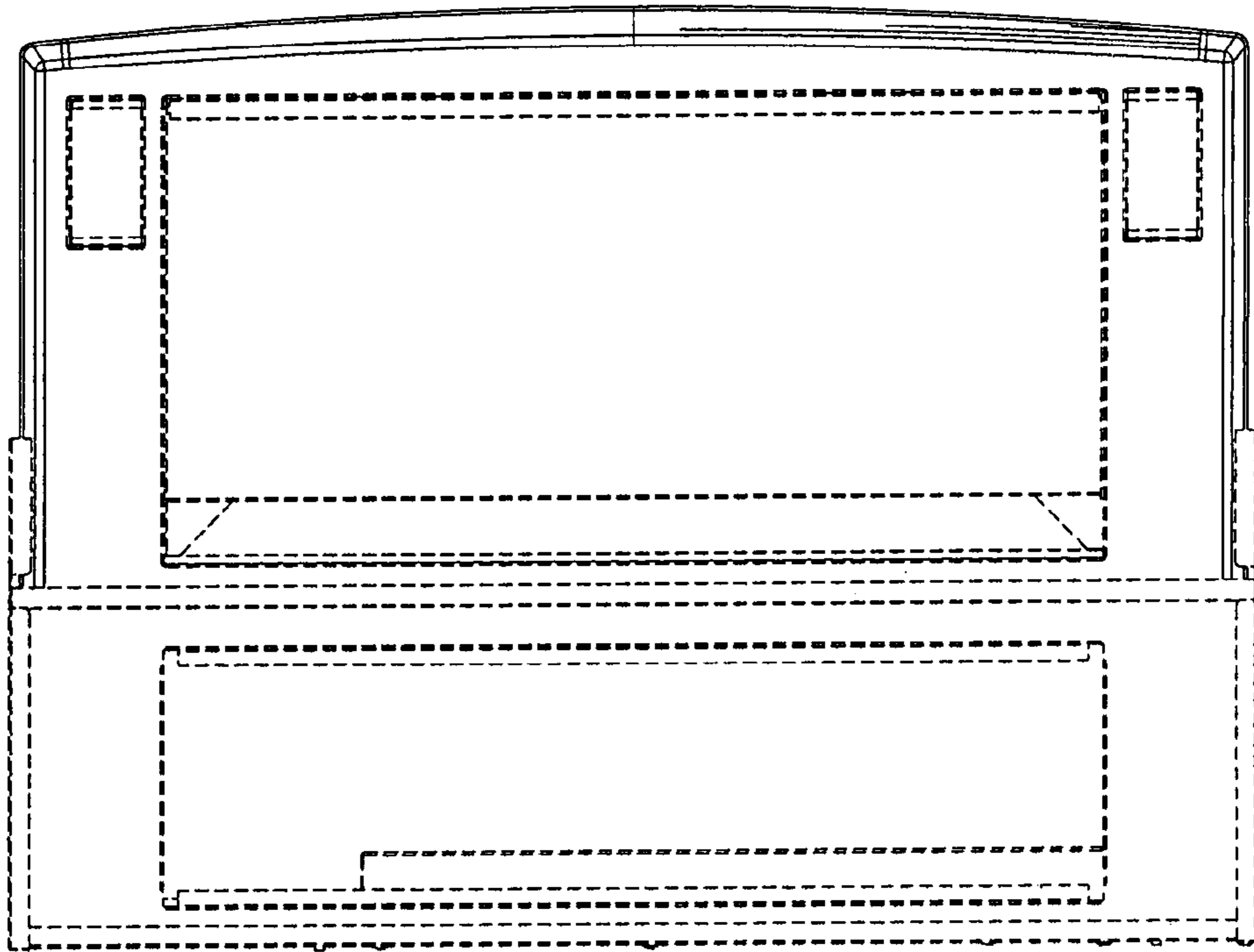


FIG. 5

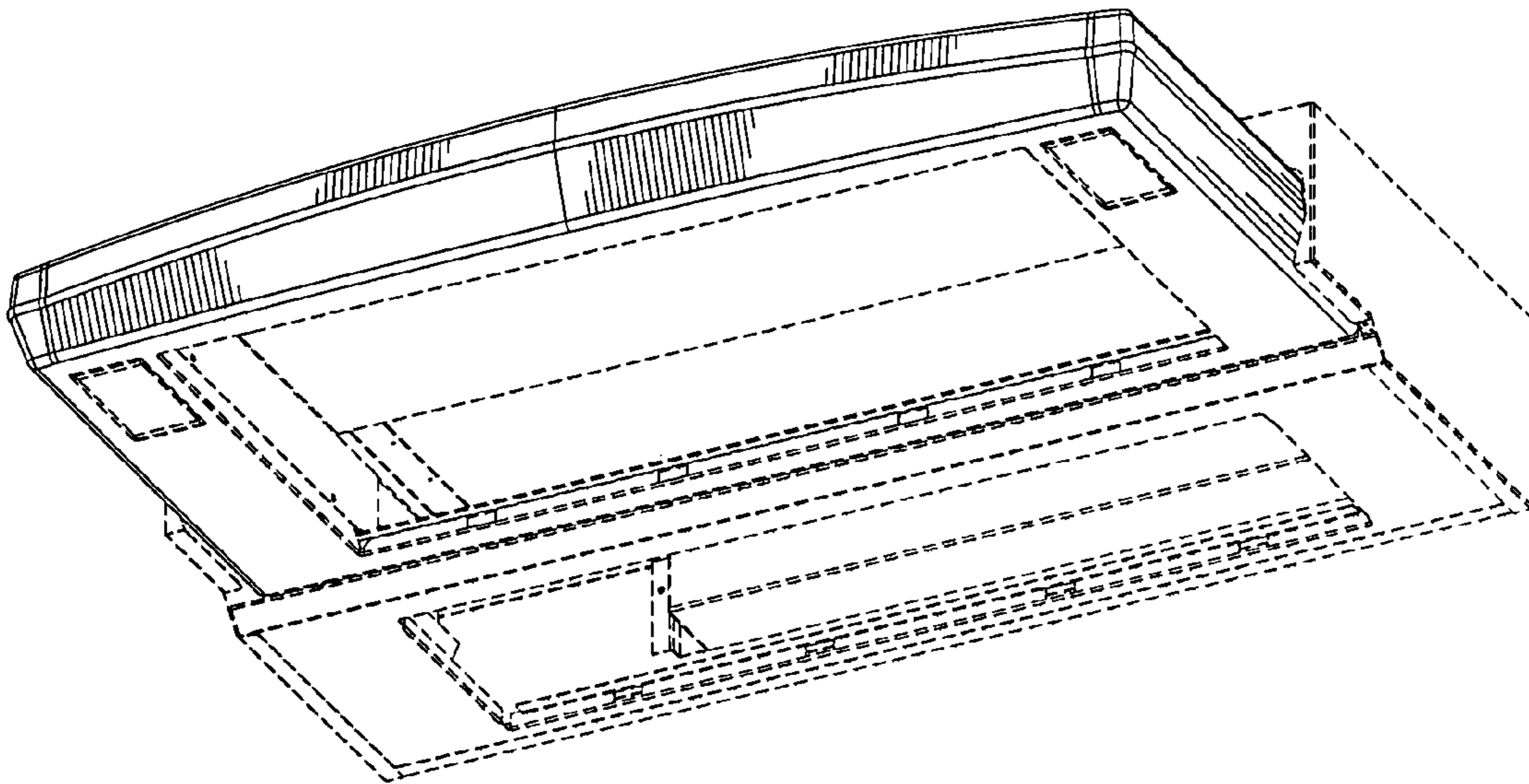


FIG. 6

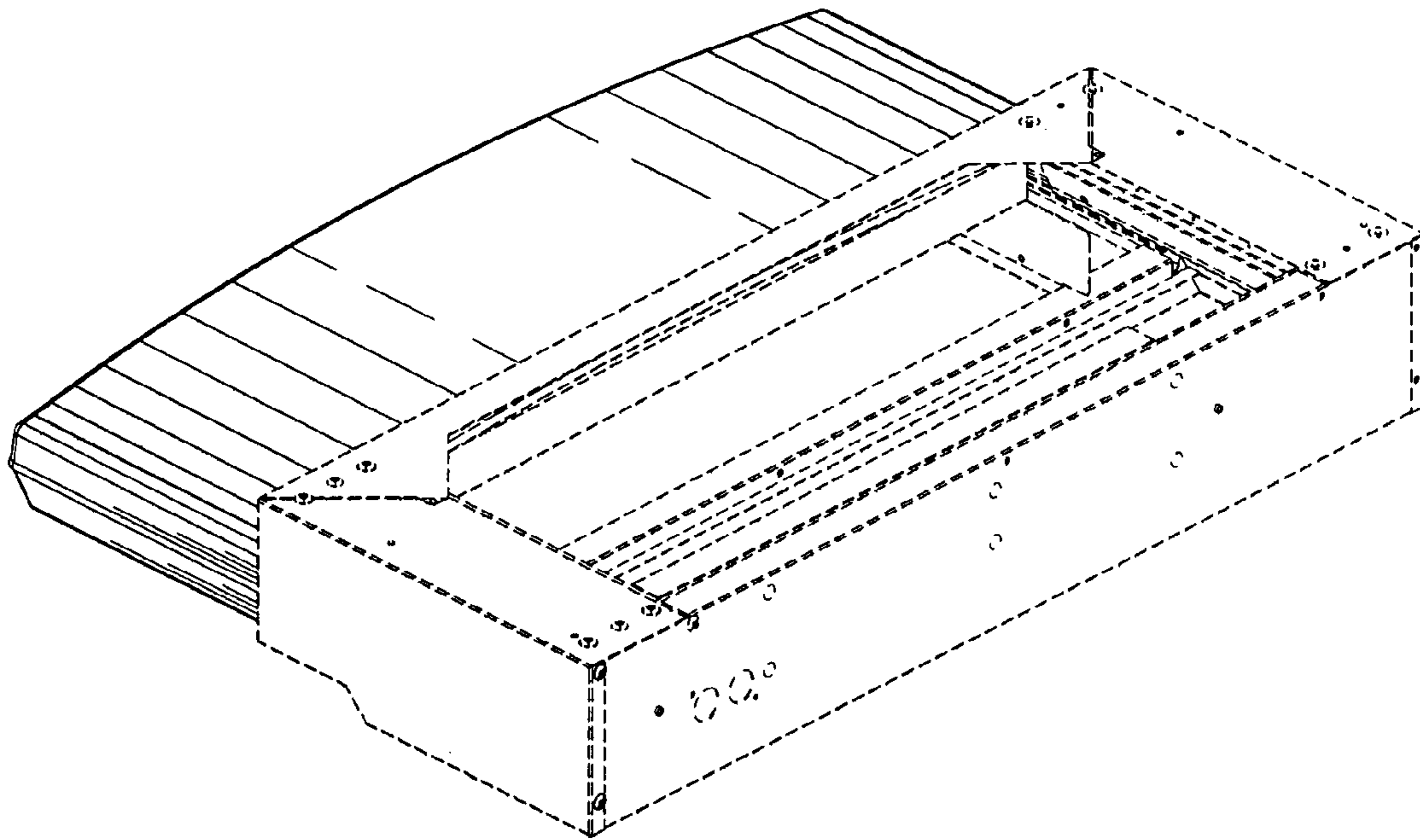


FIG. 7

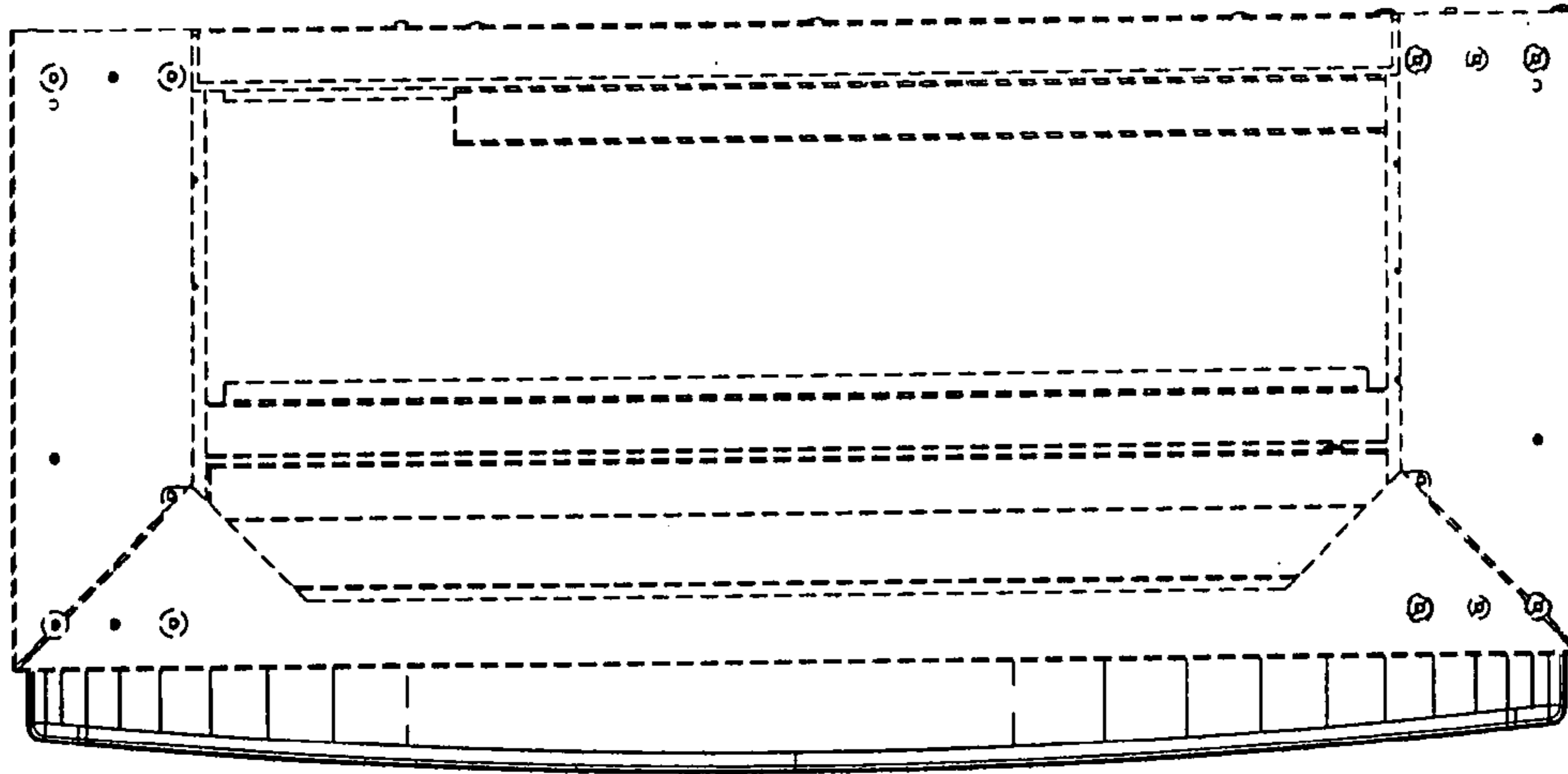


FIG. 8

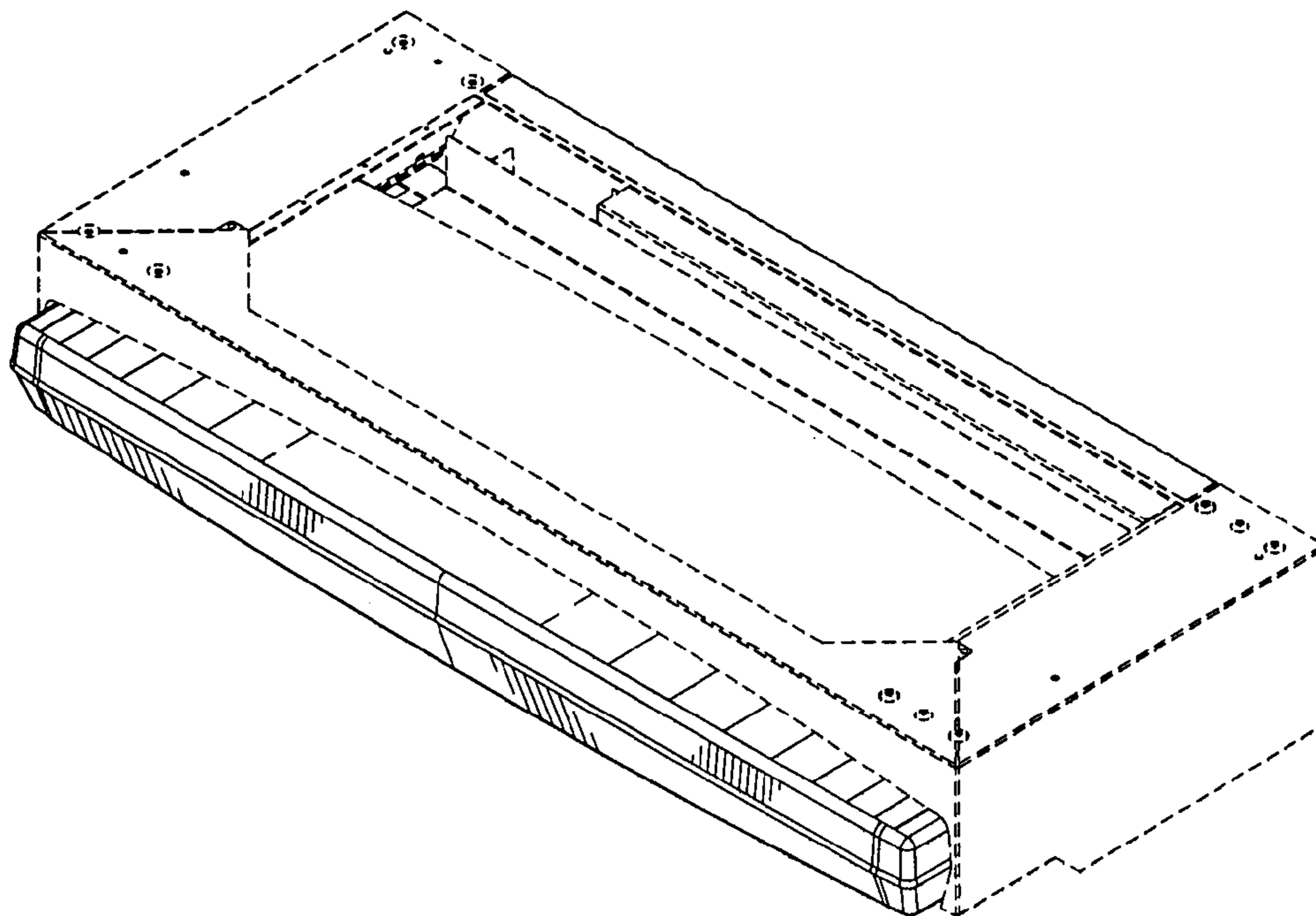


FIG. 9

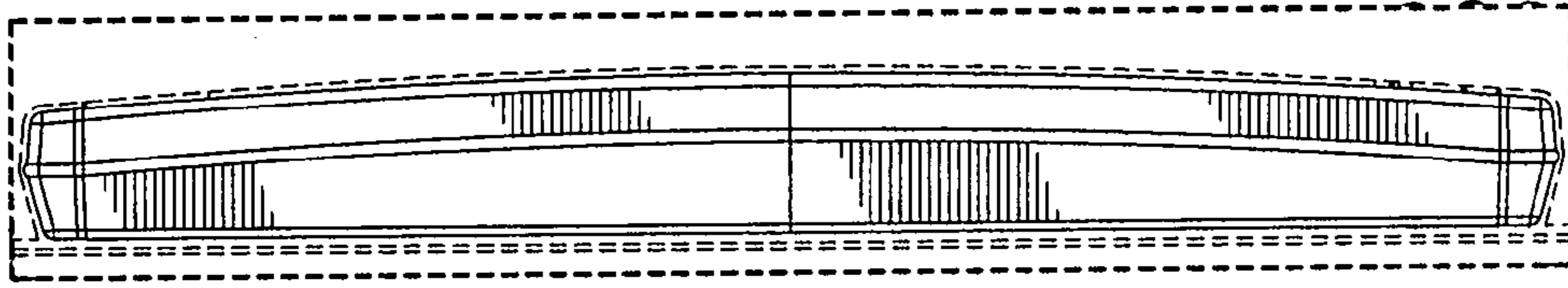


FIG. 10



FIG. 11

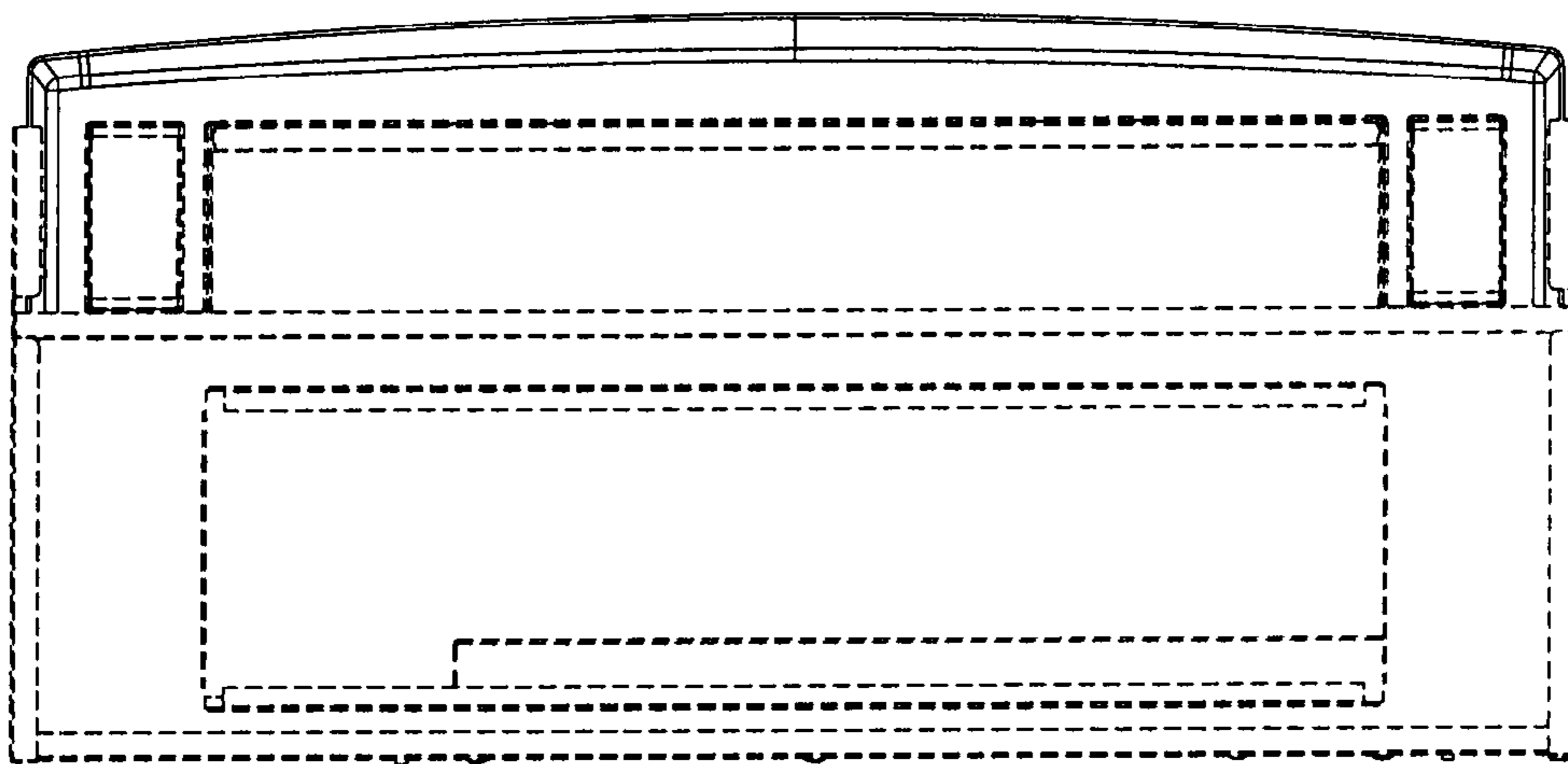


FIG. 12

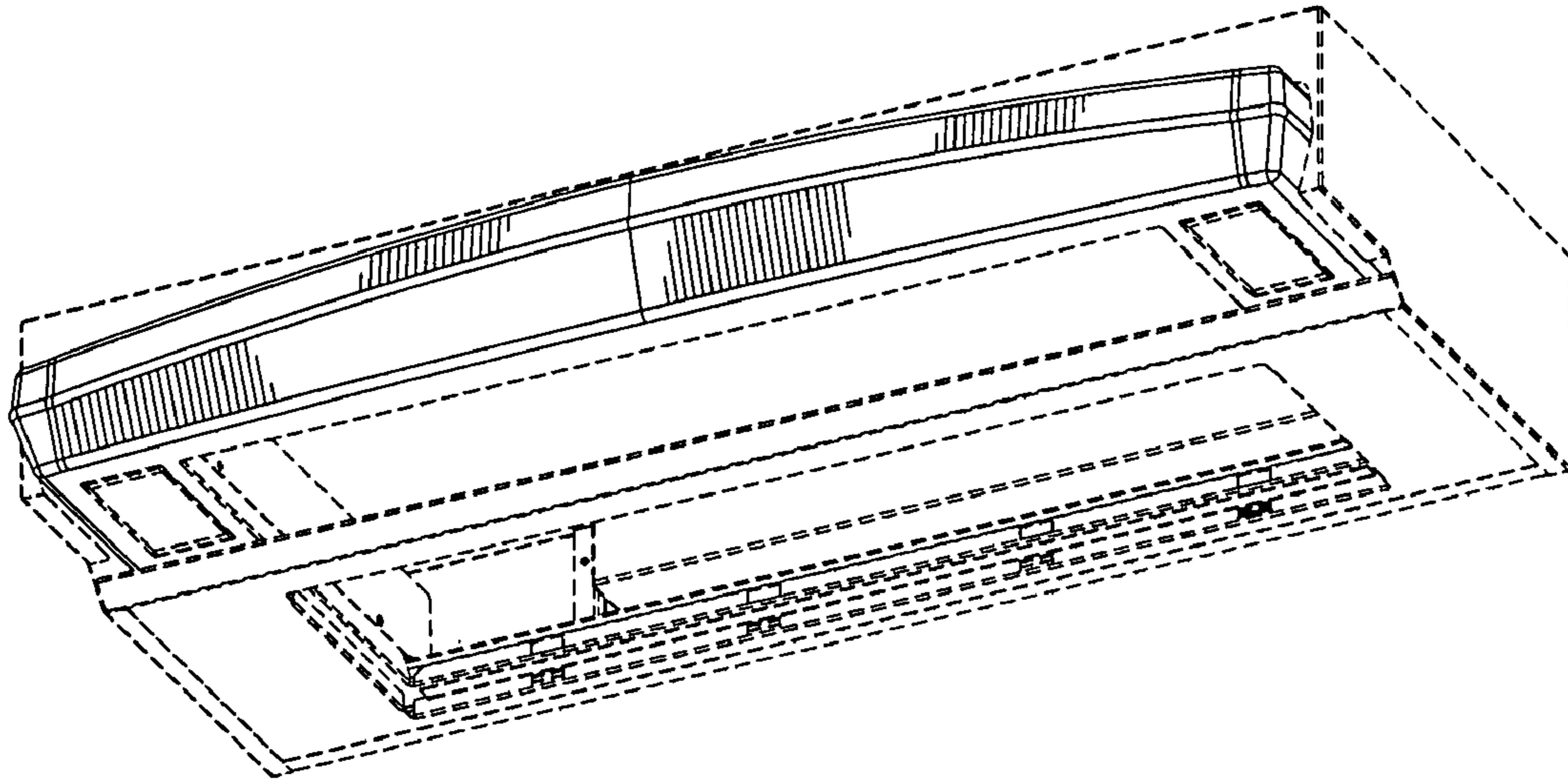


FIG. 13

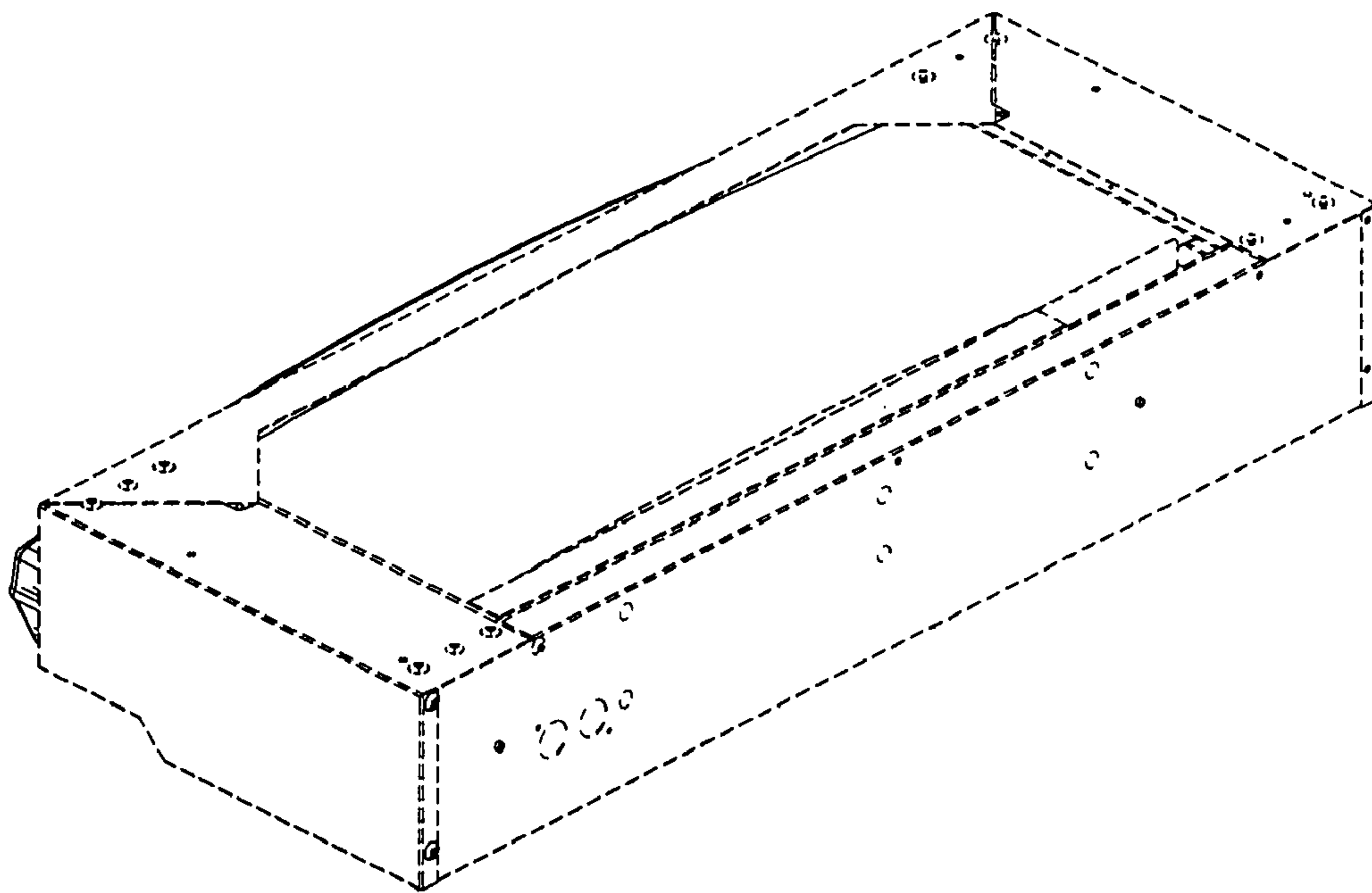


FIG. 14

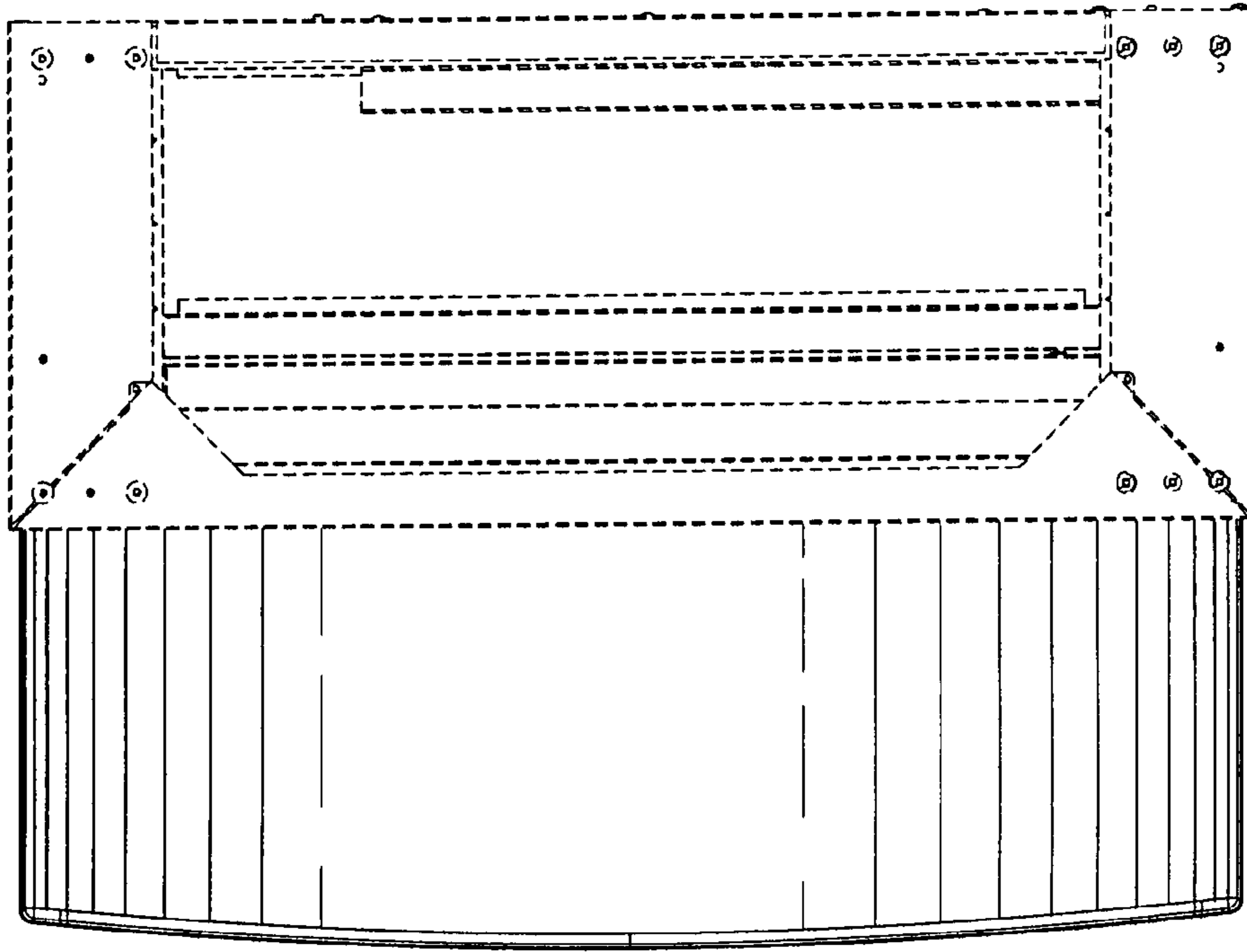


FIG. 15

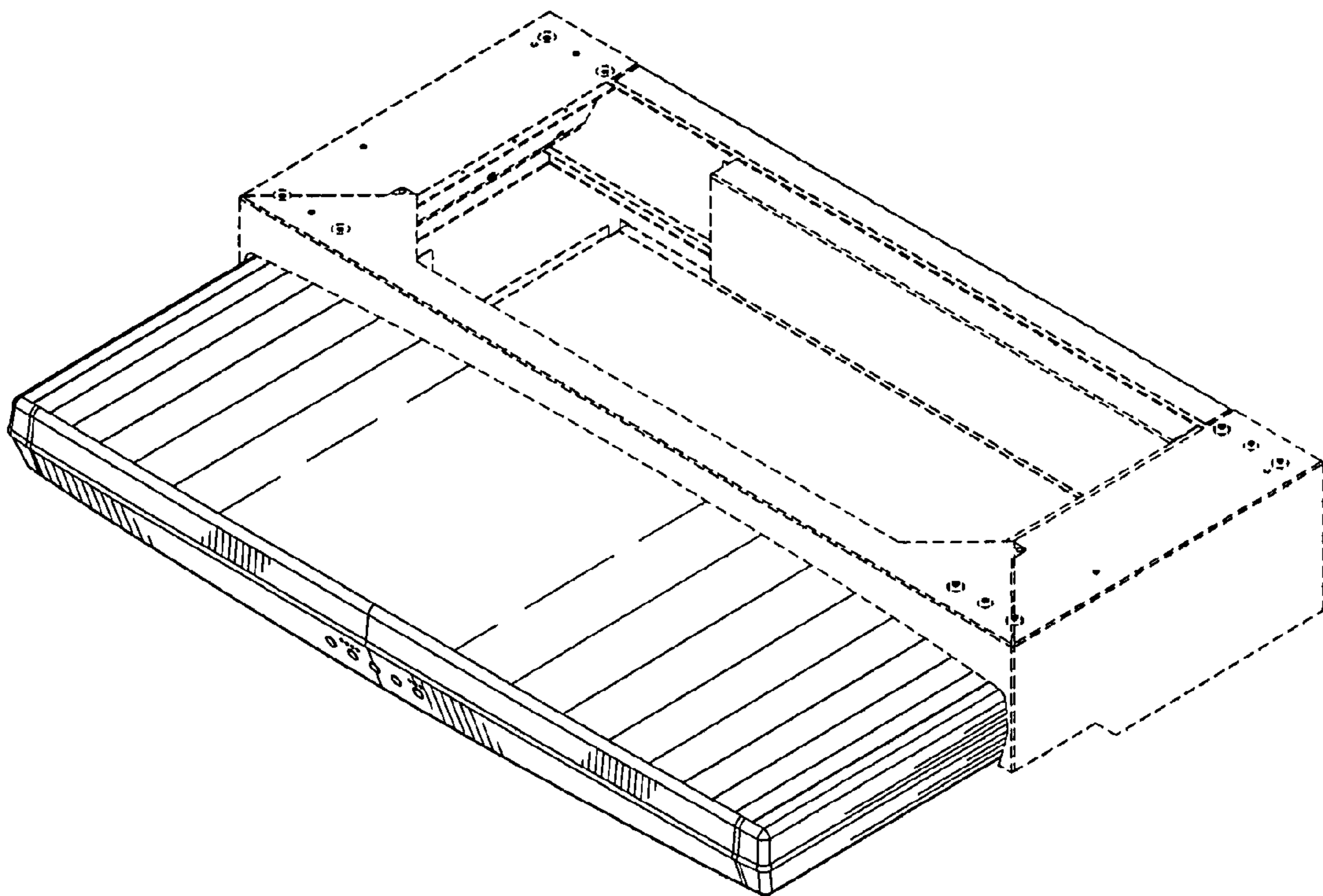


FIG. 16

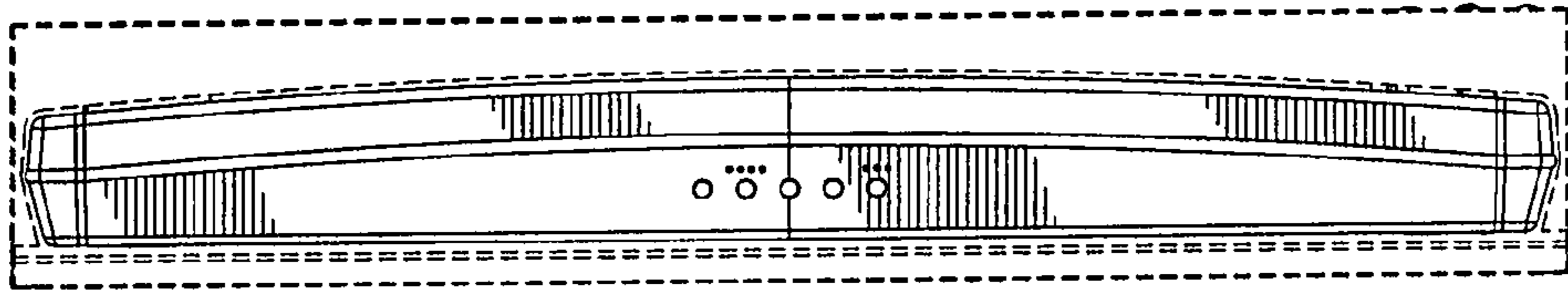


FIG. 17

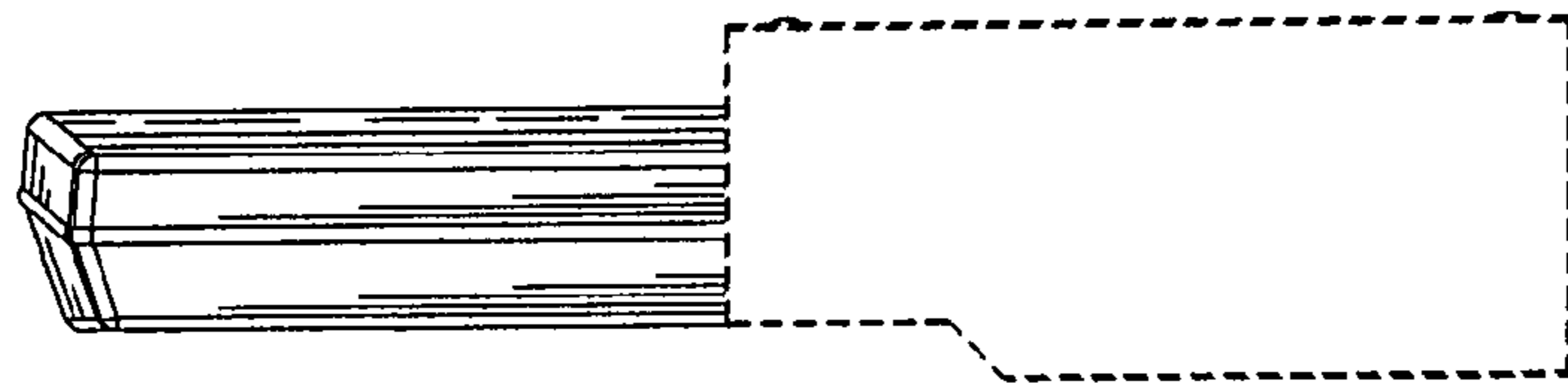


FIG. 18

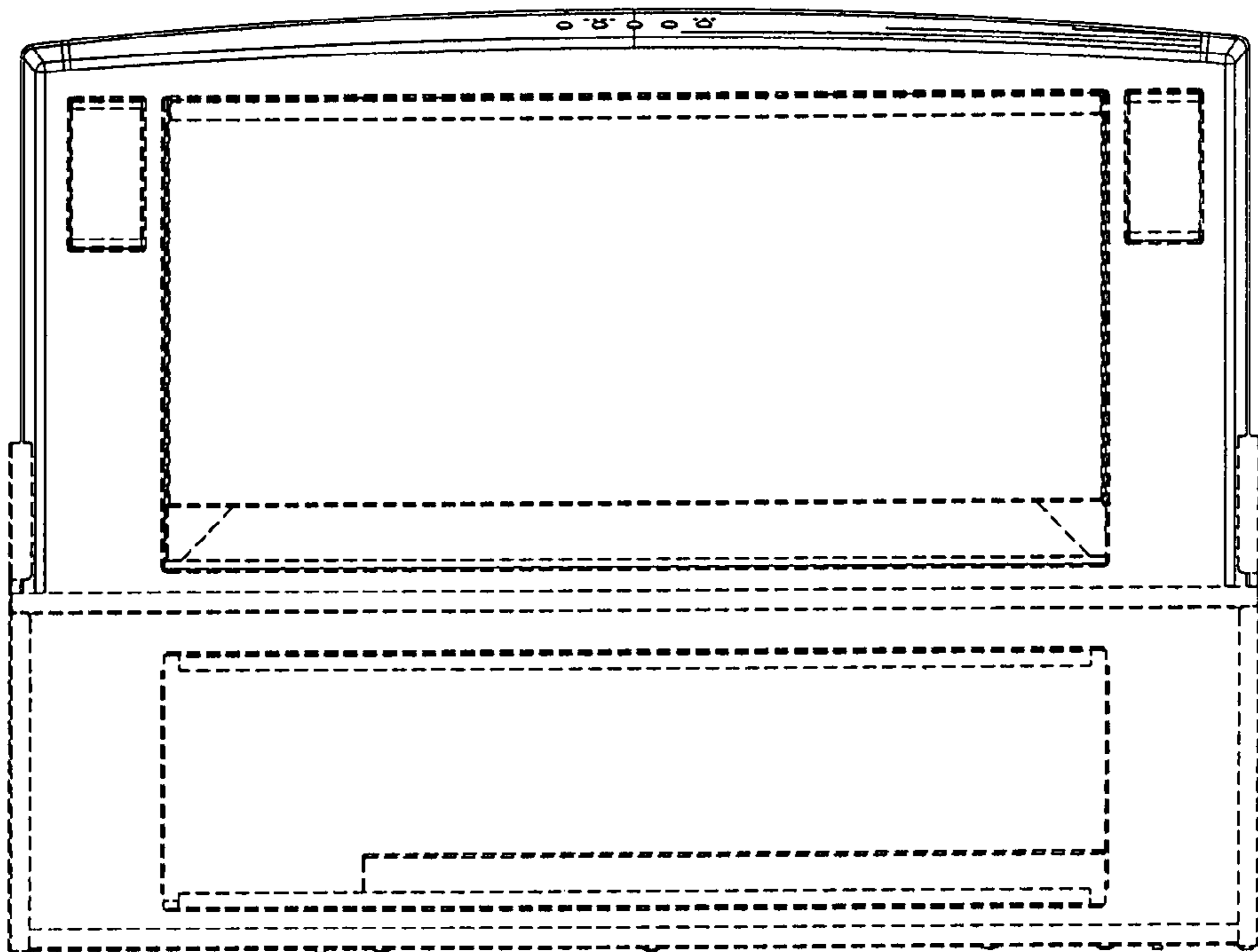


FIG. 19

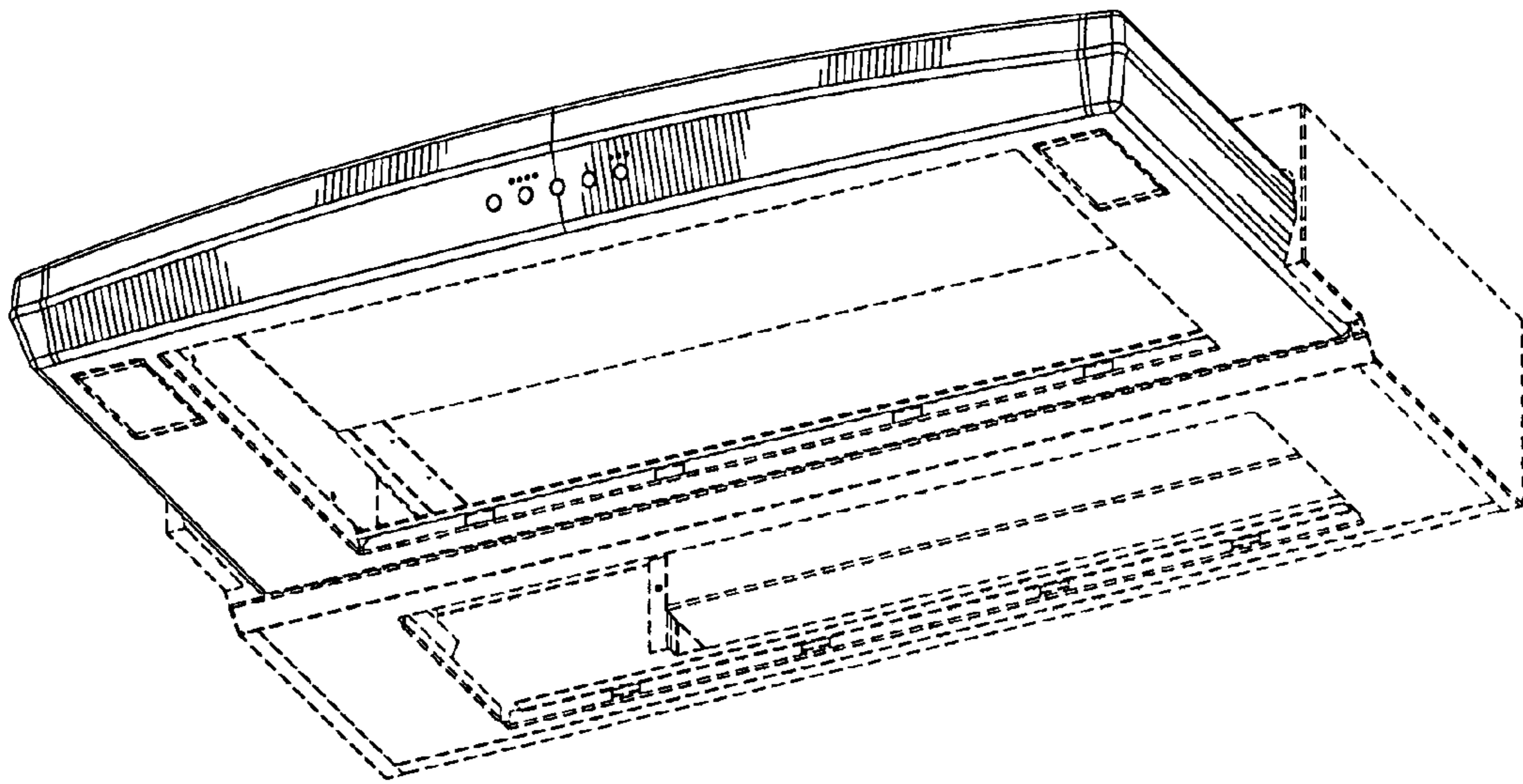


FIG. 20

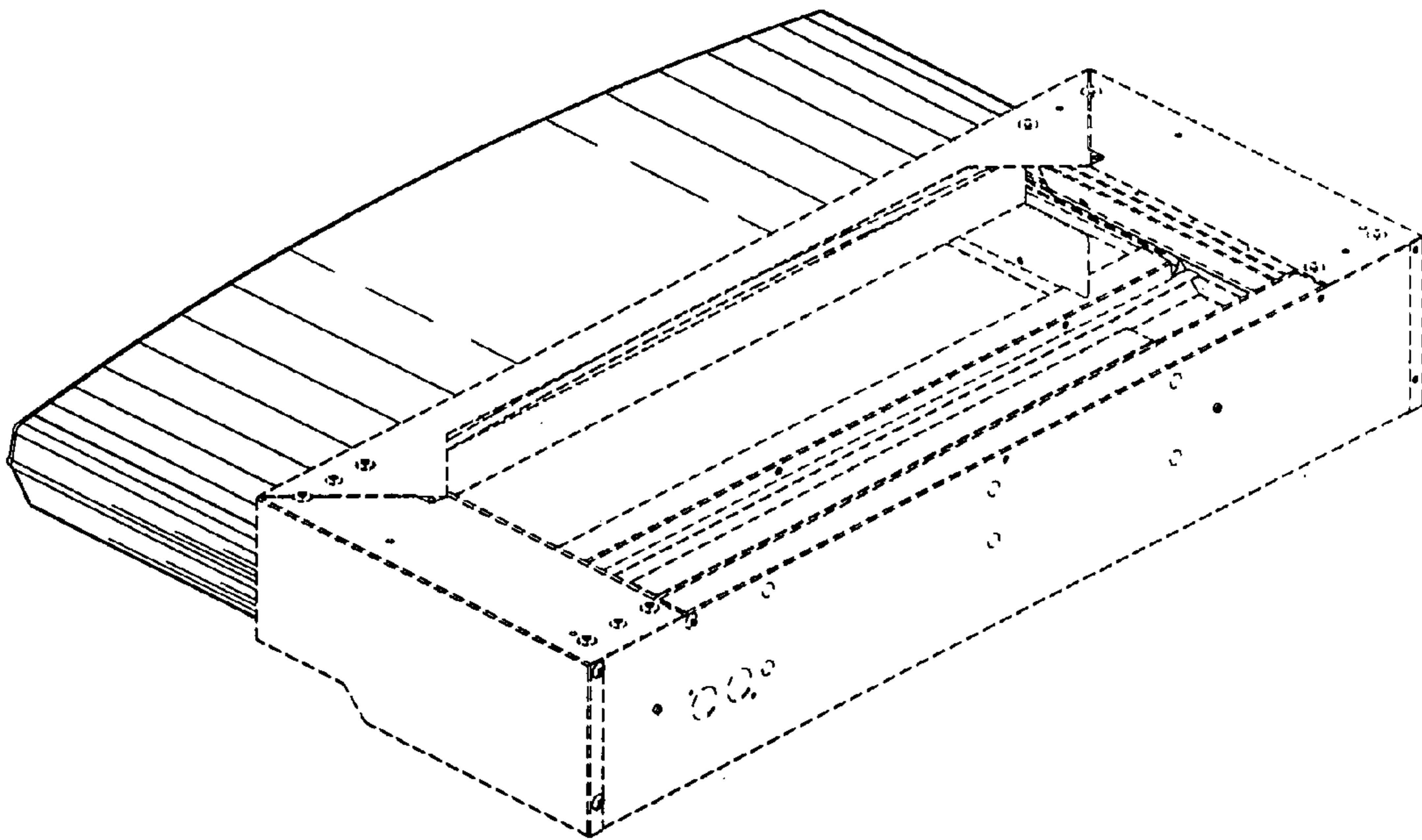


FIG. 21

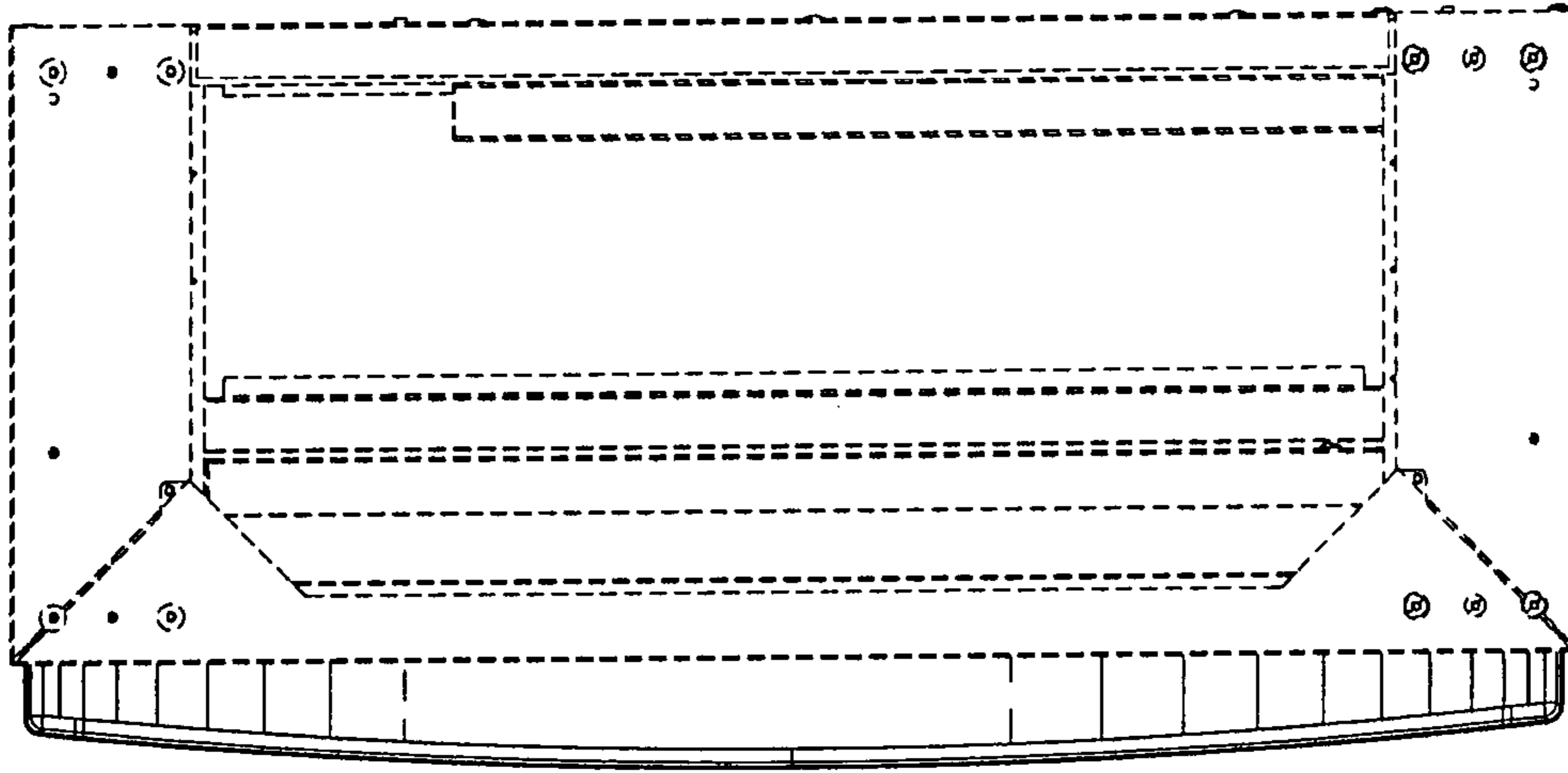


FIG. 22

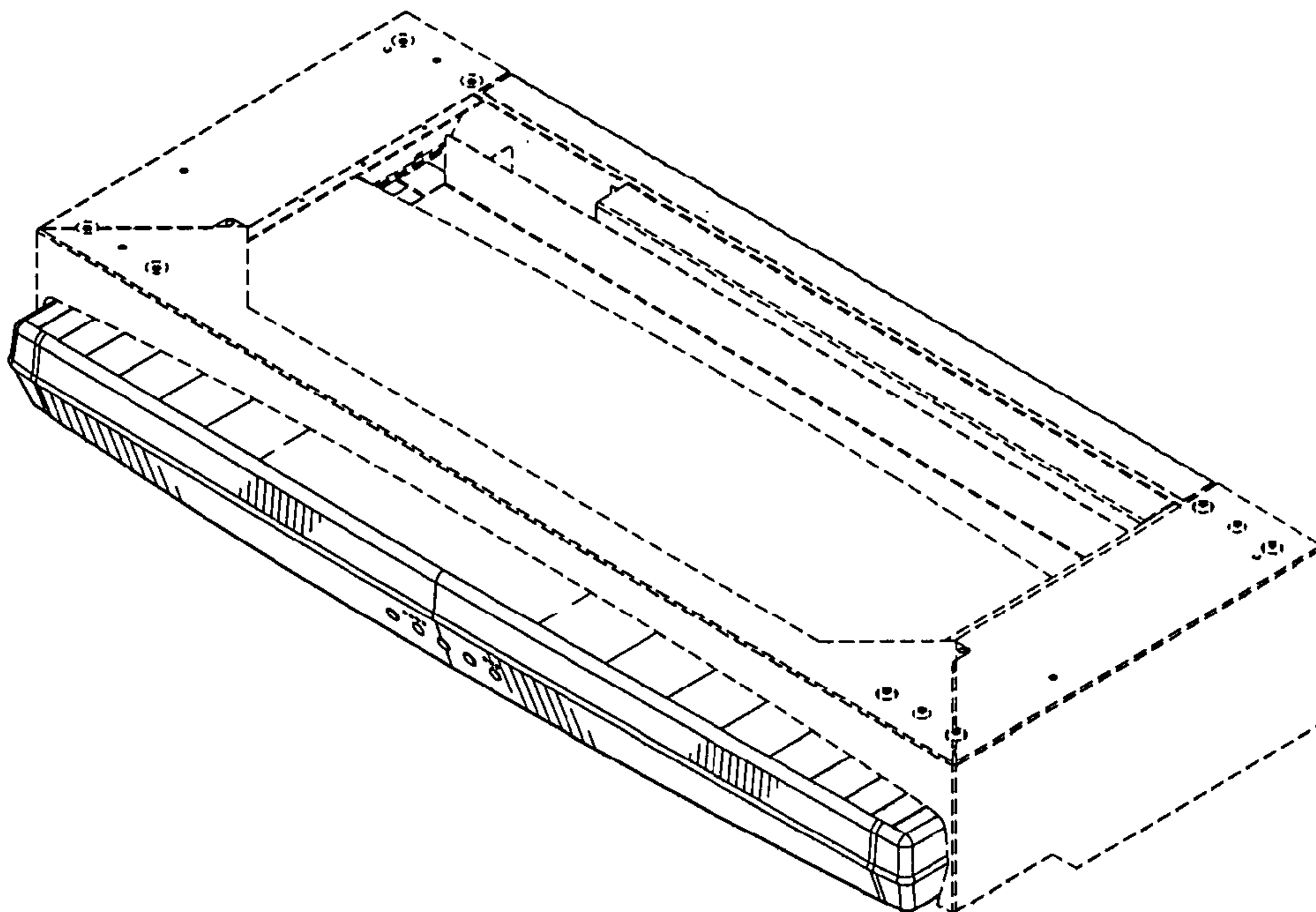


FIG. 23

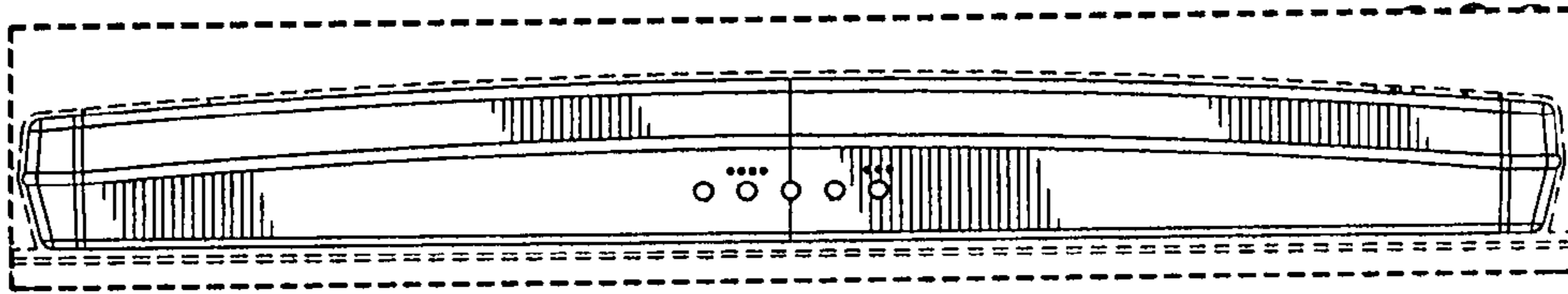


FIG. 24

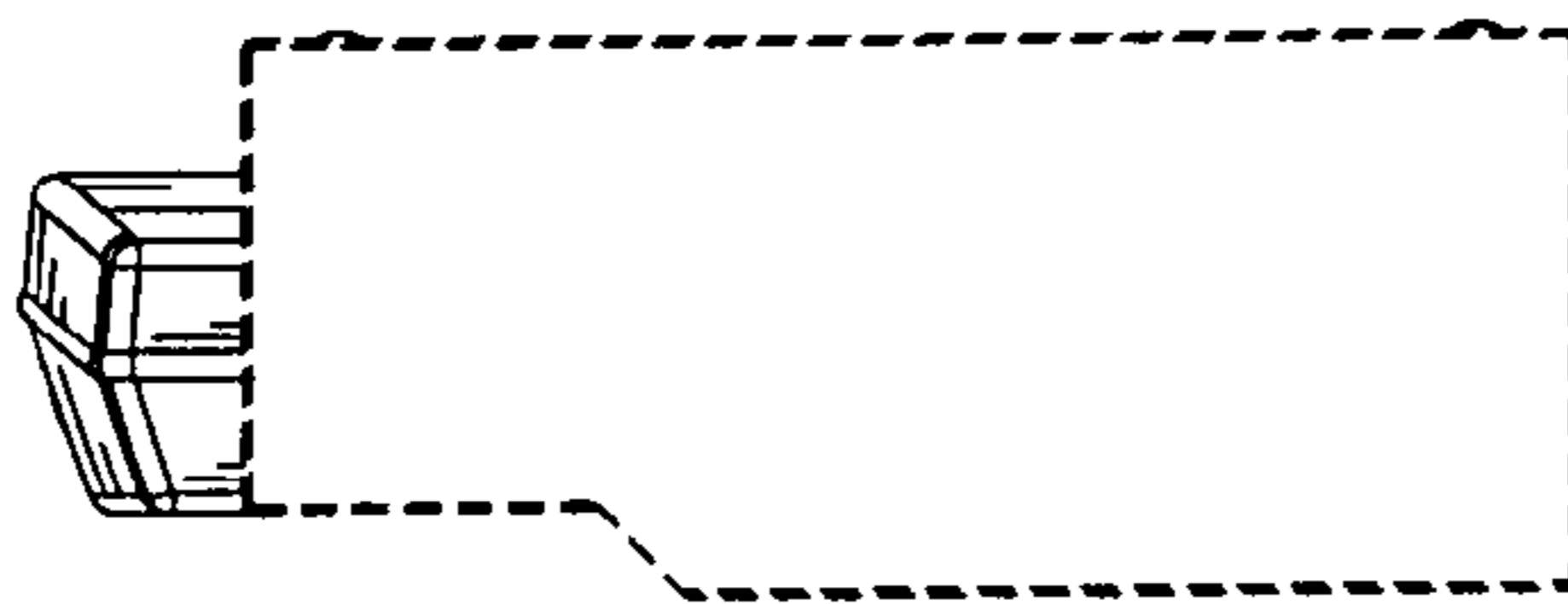


FIG. 25

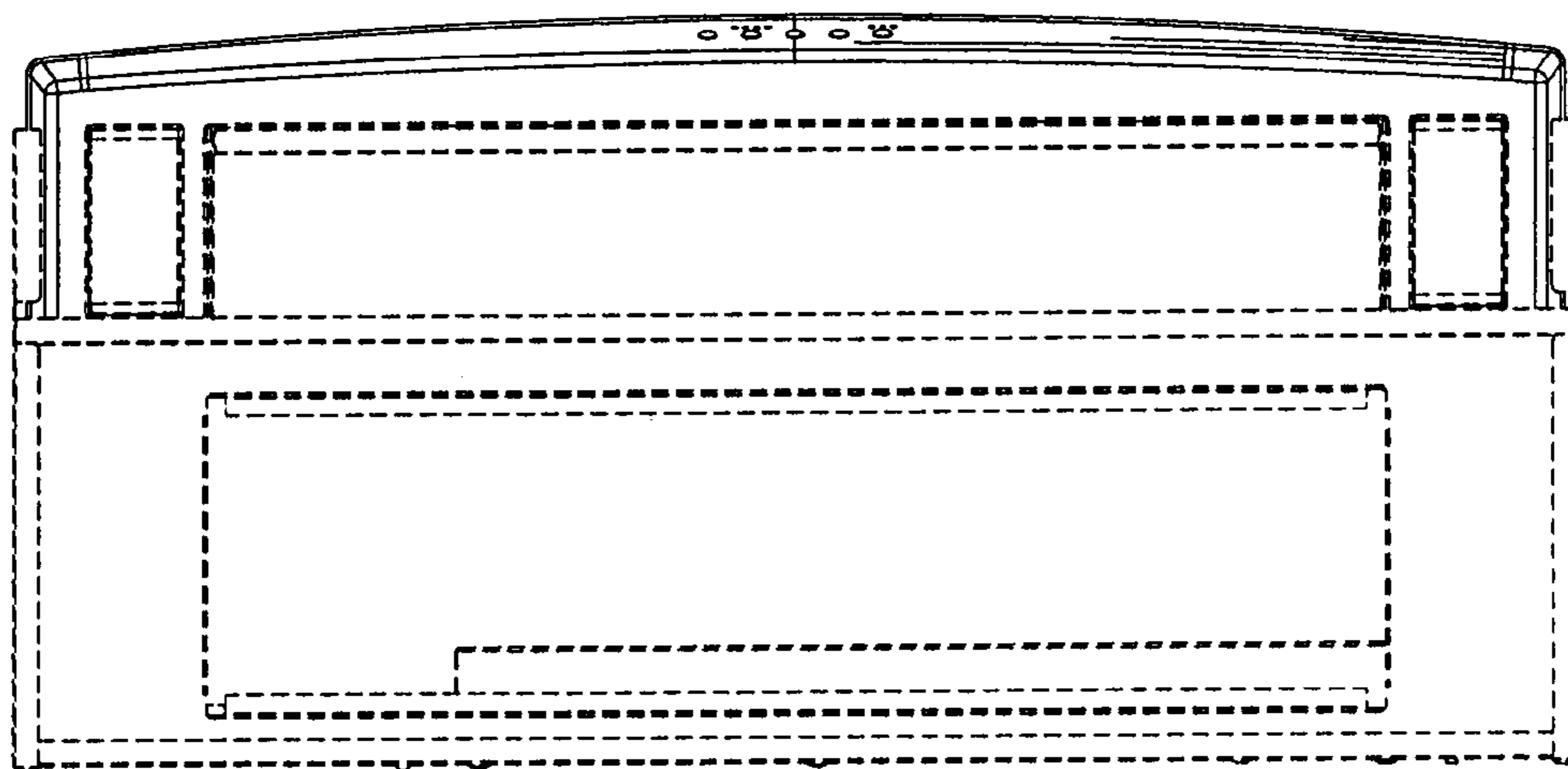


FIG. 26

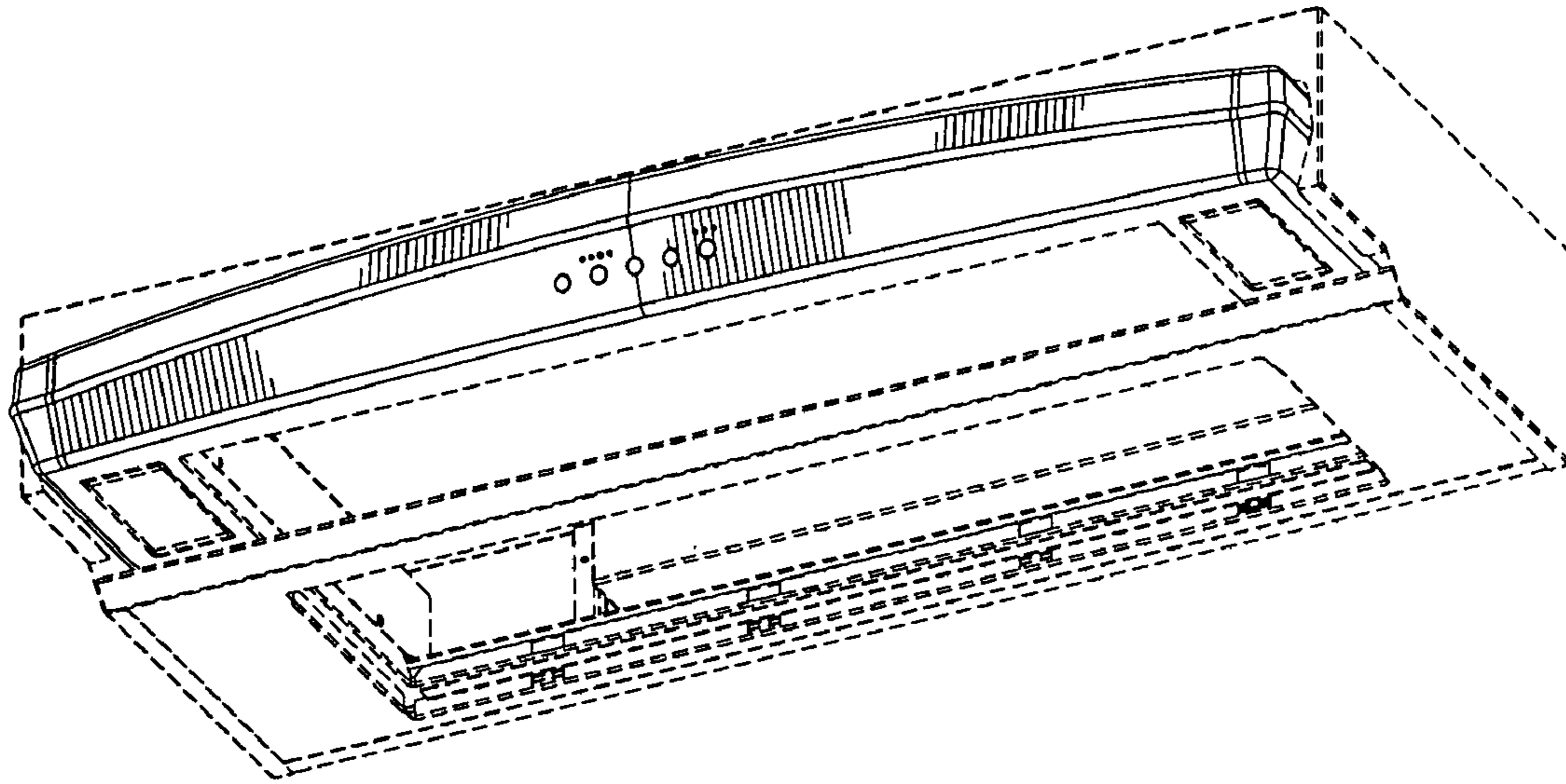


FIG. 27

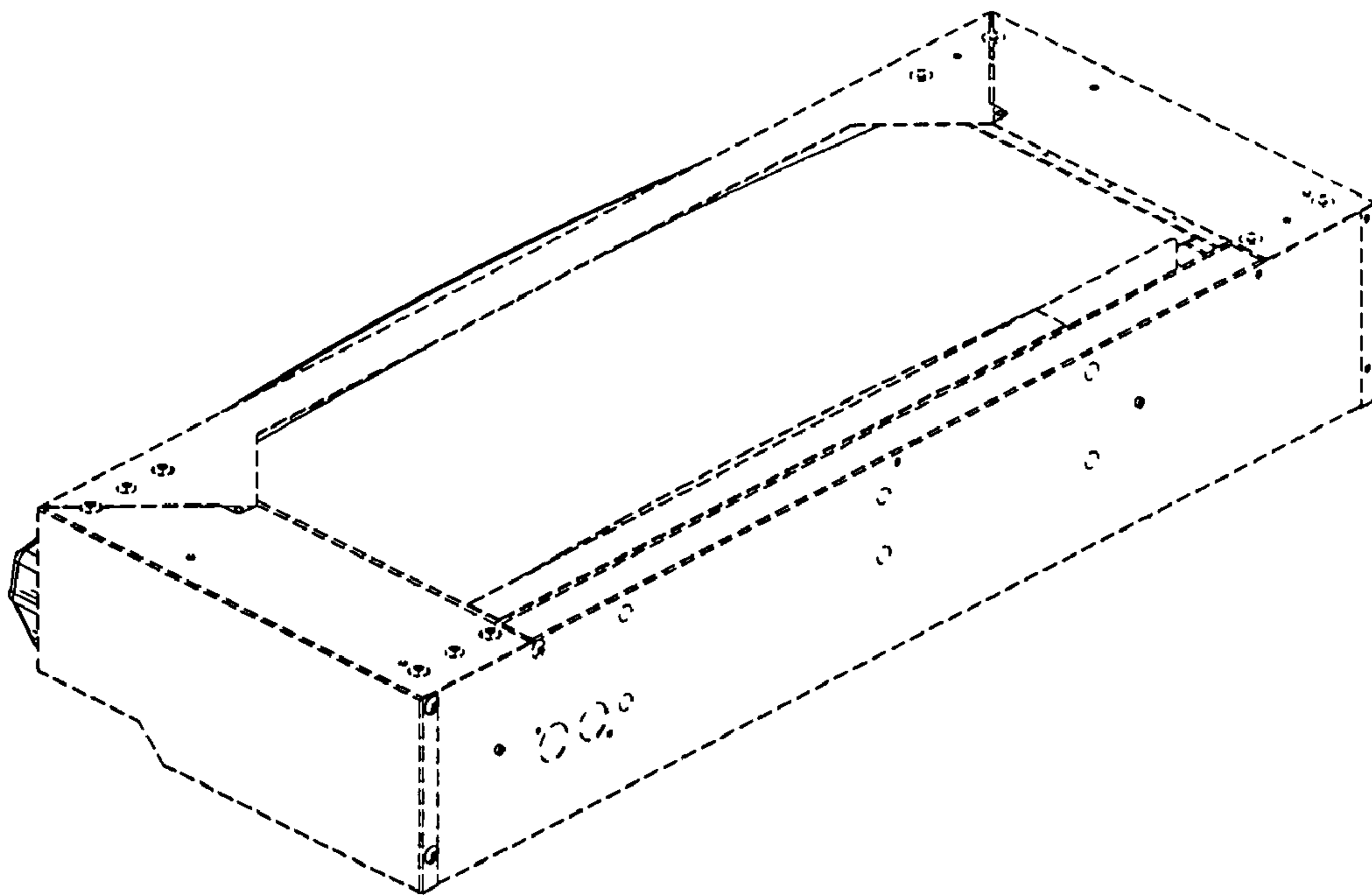


FIG. 28