



US00D568454S

(12) **United States Design Patent** (10) **Patent No.:** **US D568,454 S**
Bellofatto et al. (45) **Date of Patent:** **** May 6, 2008**

(54) **AIR FRESHENER DEVICE** D487,144 S * 2/2004 Choke-arpornchai et al. ... D23/366
 (75) Inventors: **Steven Bellofatto**, Closter, NJ (US); D491,256 S * 6/2004 Fellows et al. D23/366
Mario Alexander Turchi, Tenafly, NJ D501,546 S * 2/2005 Cruver et al. D23/366
 (US) D501,921 S * 2/2005 Caserta et al. D23/366
 D502,540 S * 3/2005 Cruver et al. D23/366
 (73) Assignee: **Reckitt Benckiser (UK) Limited**, D510,423 S * 10/2005 Caserta et al. D23/366
 Slough-Berkshire (GB) D512,136 S * 11/2005 Wefler D23/366
 D512,769 S * 12/2005 Wefler D23/366
 (**) Term: **14 Years** 6,976,637 B2 * 12/2005 Massimo 239/44
 D523,129 S * 6/2006 Caserta et al. D23/366
 (21) Appl. No.: **29/278,054** D533,930 S * 12/2006 Keller et al. D23/366
 RE39,694 E * 6/2007 Choke-arpornchai et al. ... D23/366
 (22) Filed: **Mar. 19, 2007** 7,244,398 B2 * 7/2007 Kotary et al. 422/124
 2003/0194225 A1 * 10/2003 Pedrotti et al. 392/395
 (30) **Foreign Application Priority Data** 2004/0170404 A1 * 9/2004 Kenney 392/390
 2005/0094988 A1 * 5/2005 Yip et al. 392/395
 Sep. 21, 2006 (EM) 000592902-0003 2005/0133617 A1 * 6/2005 Hidalgo et al. 239/136

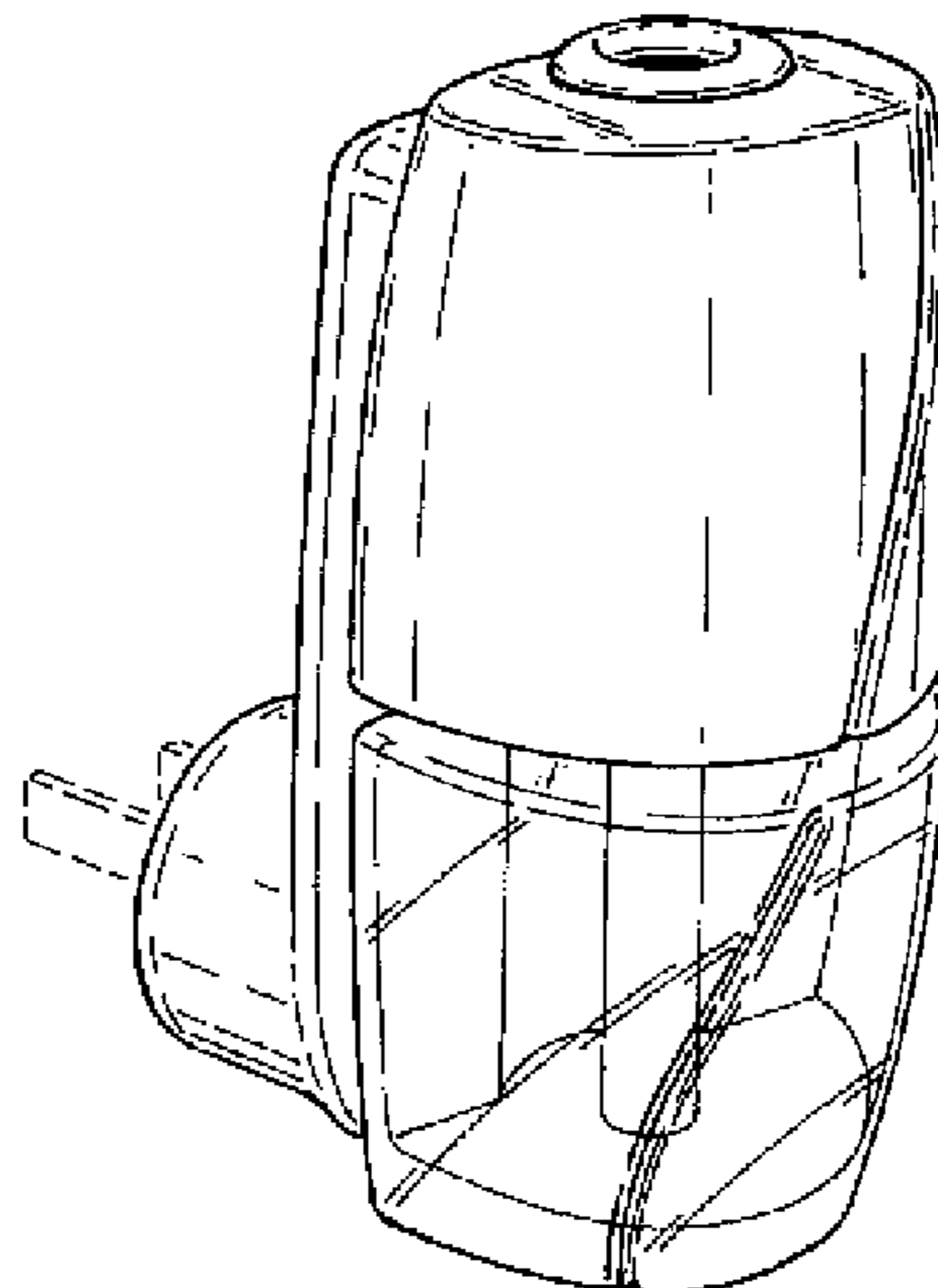
(51) **LOC (8) Cl.** **28-99**
 (52) **U.S. Cl.** **D23/366**
 (58) **Field of Classification Search** 261/DIG. 17,
 261/DIG. 42, DIG. 65, DIG. 88, DIG. 89;
 D23/355-369; D28/5, 6; 392/386, 401,
 392/390-394; 239/34-35, 41-44, 53-60,
 239/136, 326
 See application file for complete search history.

(56) **References Cited**
 U.S. PATENT DOCUMENTS
 D393,063 S * 3/1998 Wefler D23/366
 6,104,897 A * 8/2000 Ishizawa 399/119
 D432,222 S * 10/2000 Rymer et al. D23/366
 D433,744 S * 11/2000 Basaganas D23/366
 D437,636 S * 2/2001 Basaganas D23/366
 D462,755 S * 9/2002 Basaganas Millan D23/366
 D466,204 S * 11/2002 Wolpert et al. D23/366
 D469,862 S * 2/2003 Cruver et al. D23/366
 D473,638 S * 4/2003 Cruver, IV D23/366
 D474,268 S * 5/2003 Choke-arpornchai et al. ... D23/
 366
 D477,065 S * 7/2003 Lonczak et al. D23/366

* cited by examiner
Primary Examiner—Sandra Snapp
 (57) **CLAIM**
 The ornamental design for an air freshener device, as shown and described.

DESCRIPTION
 FIG. 1 is a front perspective view of an air freshener device of the present invention;
 FIG. 2 is an elevation view of the front thereof;
 FIG. 3 is an elevation view of the rear thereof;
 FIG. 4 is an elevation view of the left side thereof;
 FIG. 5 is a plan view of the top thereof; and,
 FIG. 6 is plan view of the bottom thereof.
 The broken lines shown in the drawings are for illustrative purposes only and form no part of the claimed design.

1 Claim, 2 Drawing Sheets



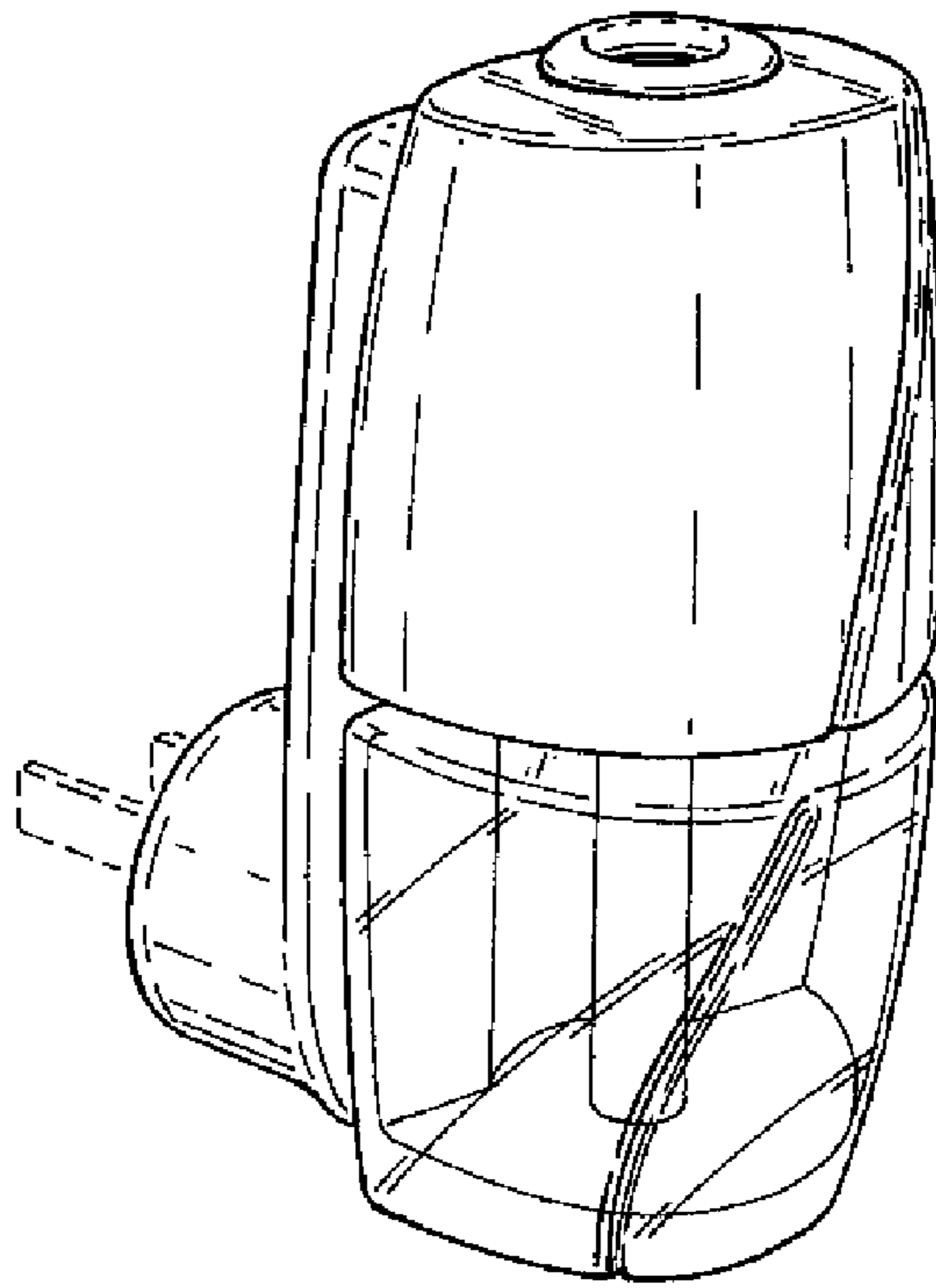


Fig. 1

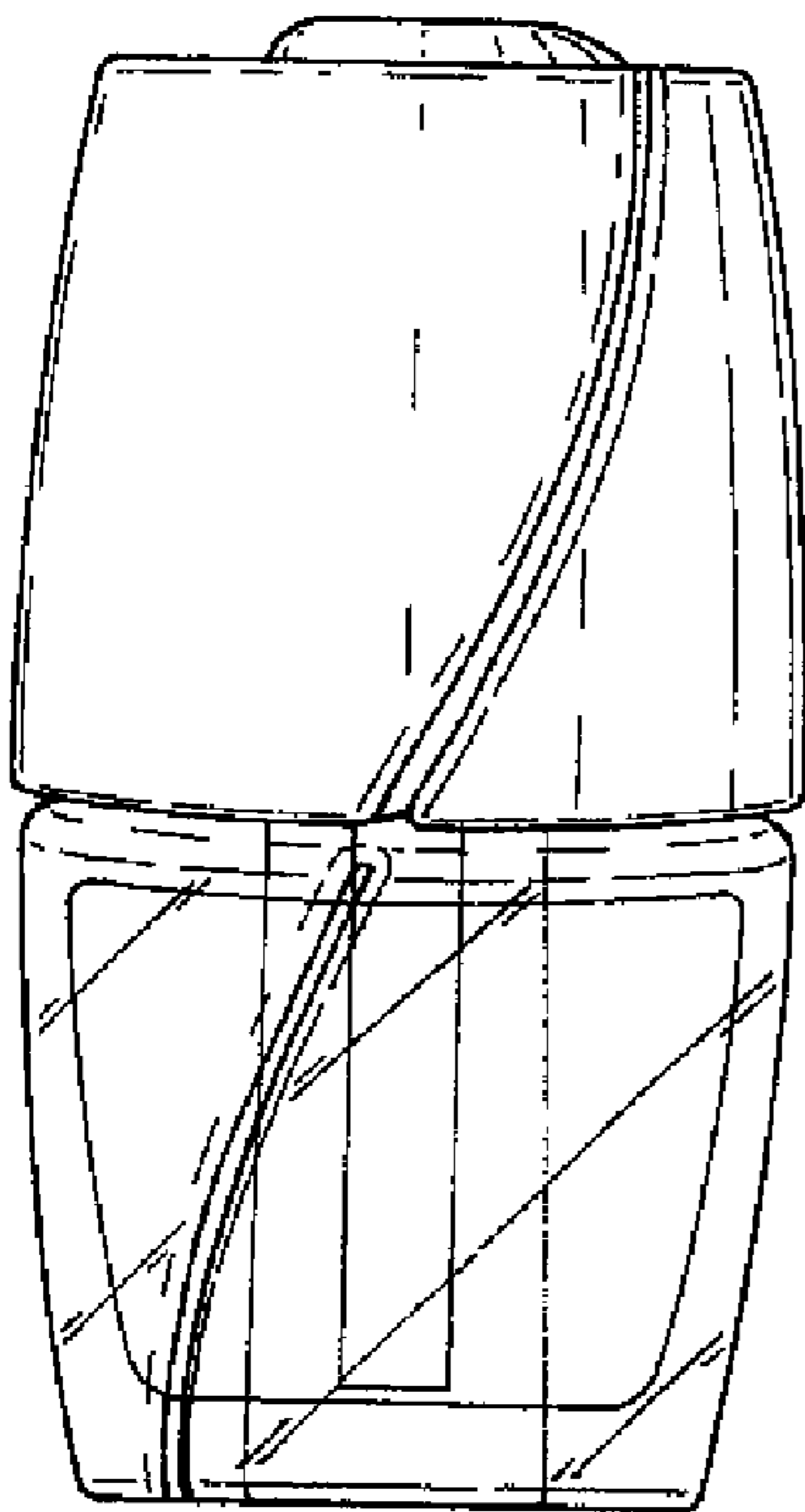


Fig. 2

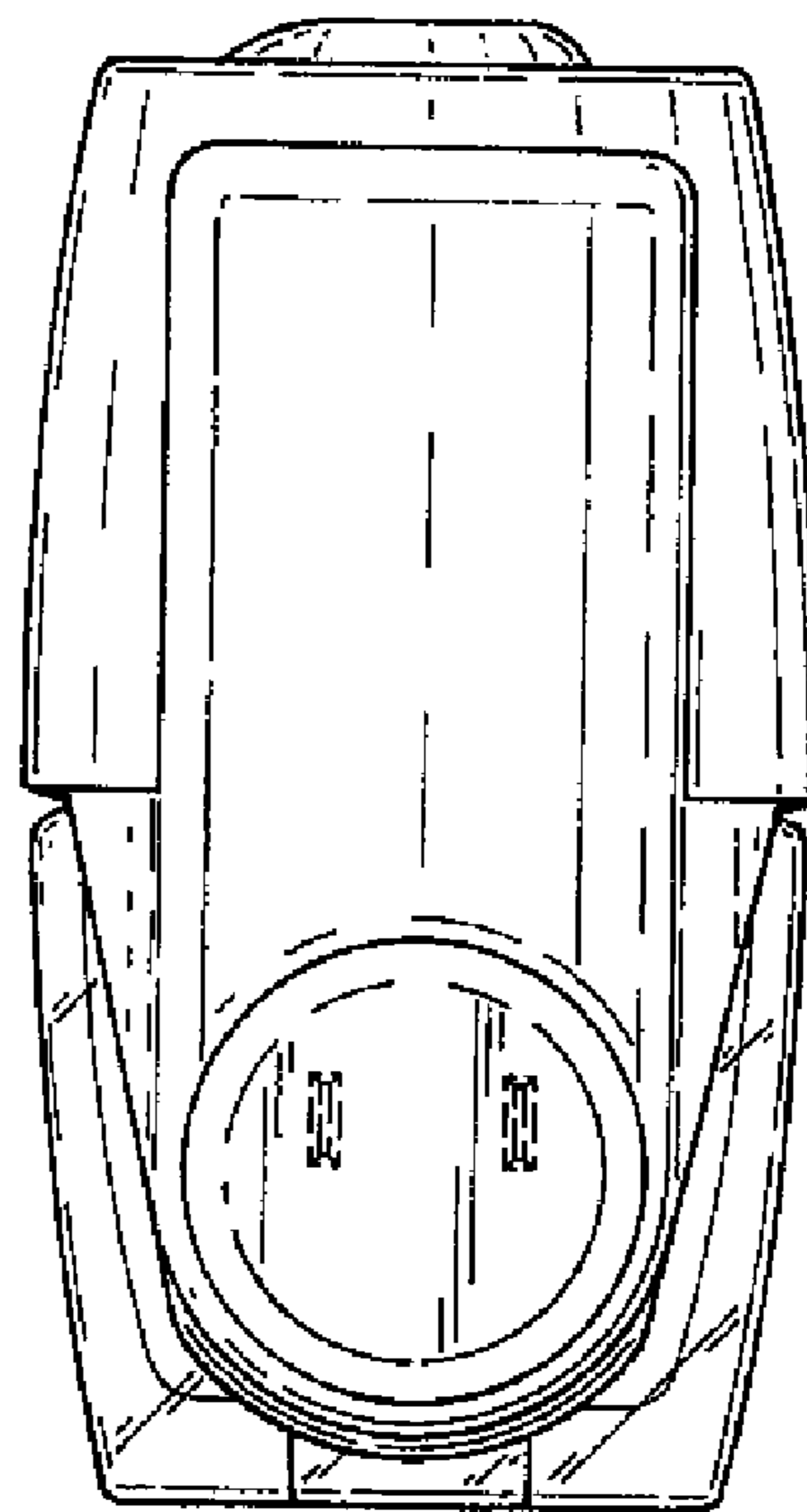


Fig. 3

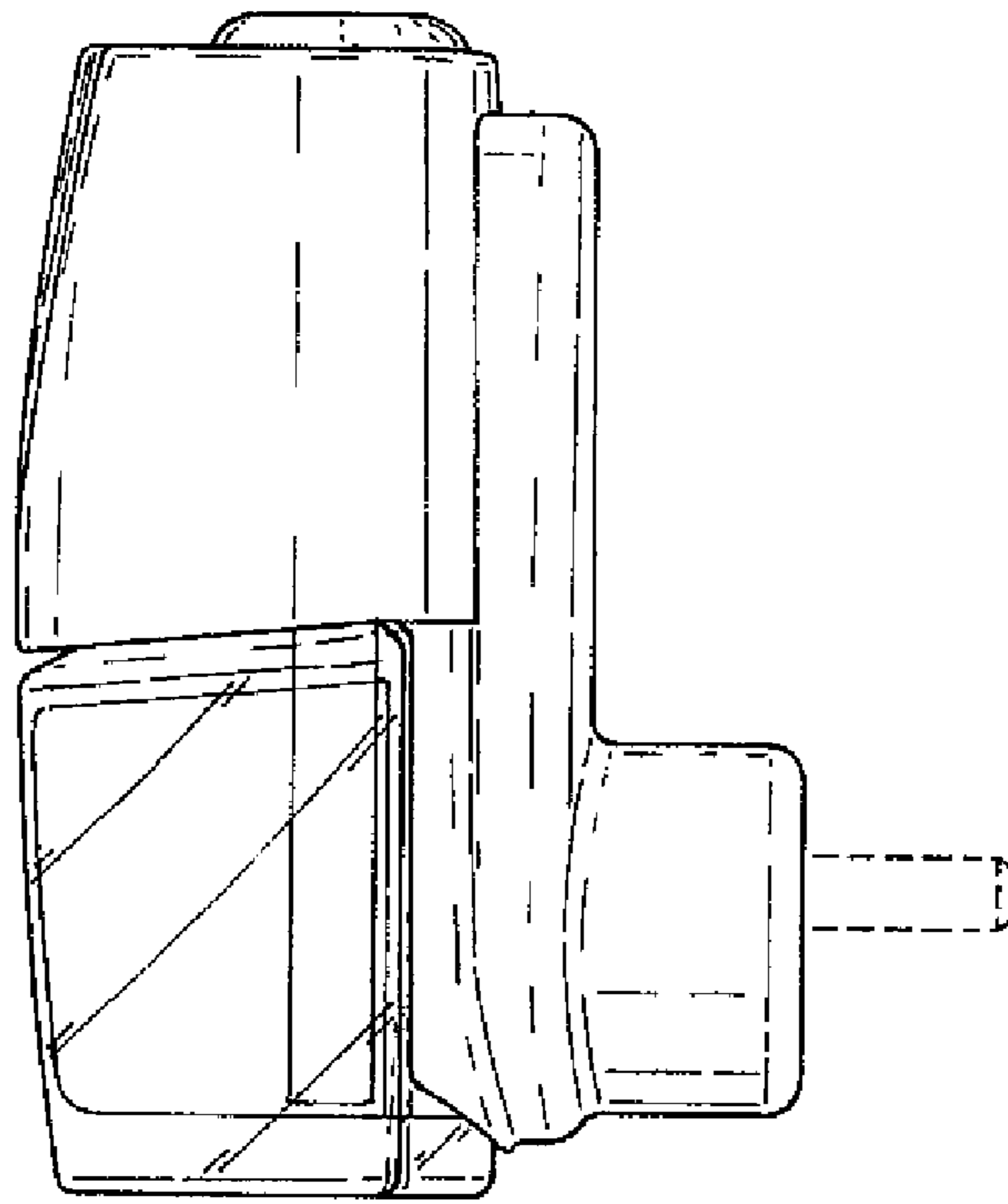


Fig. 4

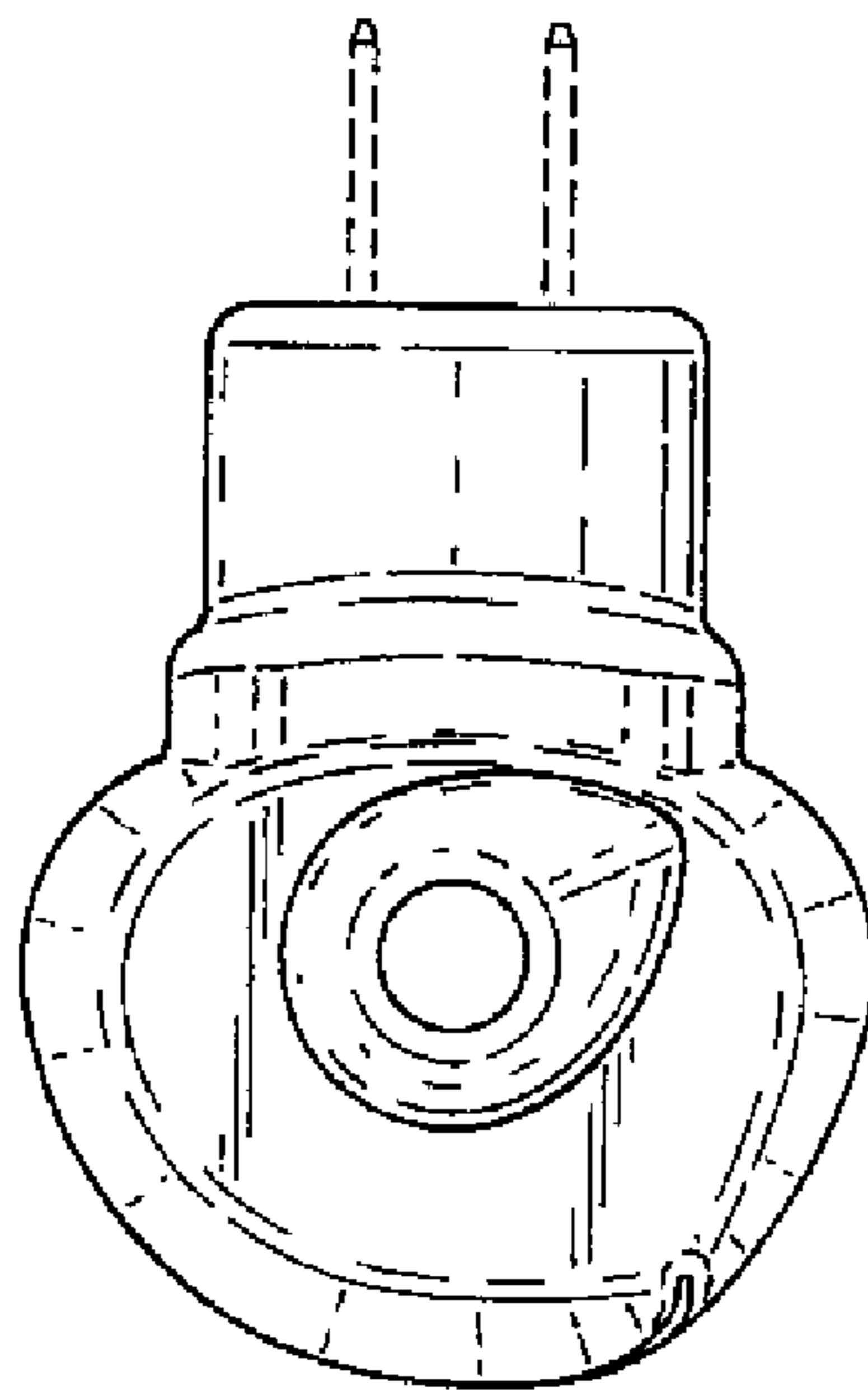


Fig. 5

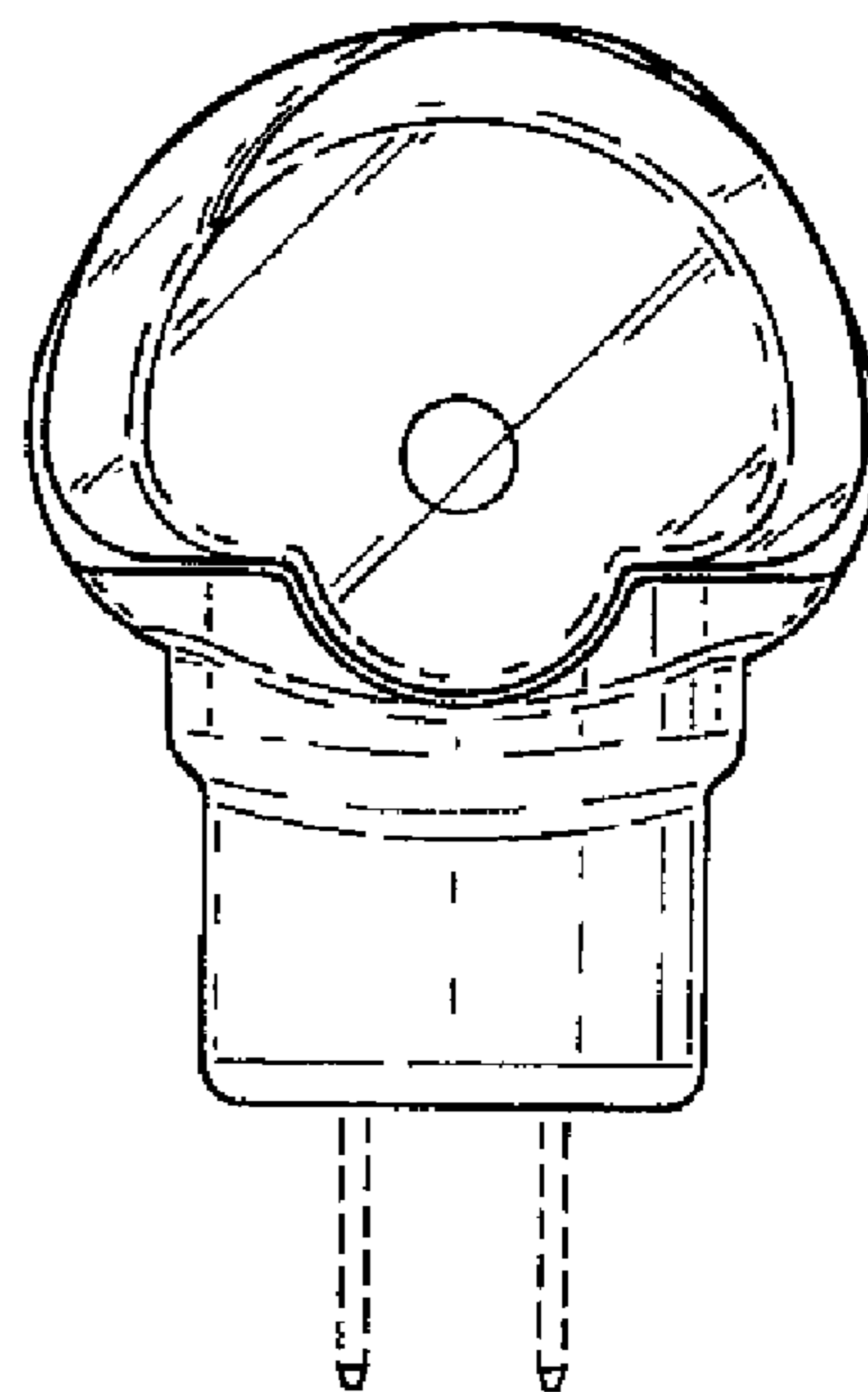


Fig. 6