



US00D568451S

(12) **United States Design Patent**
Gibb et al.

(10) **Patent No.: US D568,451 S**

(45) **Date of Patent: ** May 6, 2008**

(54) **MECHANICAL COUPLING**

(75) Inventors: **John Gibb**, Beeton (CA); **Douglas R. Dole**, Whitehouse Station, NJ (US); **Michael V. Porter**, Easton, PA (US); **William A. Nagle**, Laureldale, PA (US)

(73) Assignee: **Victaulic Company**, Easton, PA (US)

(**) Term: **14 Years**

(21) Appl. No.: **29/296,150**

(22) Filed: **Oct. 15, 2007**

Related U.S. Application Data

(62) Division of application No. 29/232,359, filed on Jun. 17, 2005, now Pat. No. Des. 560,764.

(51) **LOC (8) Cl.** **23-01**

(52) **U.S. Cl.** **D23/262**

(58) **Field of Classification Search** D23/262–265;
285/1, 53, 104–105, 404, 112, 340, 367, 373,
285/915; 403/300, 291; D8/396; 411/5,
411/10

See application file for complete search history.

(56) **References Cited**

U.S. PATENT DOCUMENTS

1,851,574 A	3/1932	Fiederlein	285/332
1,905,324 A	4/1933	Waters	285/104
1,930,194 A	10/1933	Dillon	285/104
2,020,554 A	11/1935	Johnson	285/383
D142,057 S	8/1945	Baxter	D23/265
D168,928 S	3/1953	English	D23/265
2,650,115 A	8/1953	Hall	285/105
2,752,173 A	6/1956	Krooss	285/129
3,078,108 A	2/1963	Smith	285/104
4,218,080 A	8/1980	Kendrick	285/347
4,408,788 A	10/1983	Beukema	285/419
4,417,755 A	11/1983	Gittleman	285/373
D287,532 S	12/1986	Jones et al.	D23/265

D298,802 S	12/1988	Tekirian	D8/396
4,896,902 A	1/1990	Weston	285/93
4,966,395 A	10/1990	Hendrickson	285/12
5,058,931 A	10/1991	Bowsher	285/112
5,911,446 A	6/1999	McLennan et al.	285/104
6,076,861 A	6/2000	Ikeda	285/112
6,312,025 B1	11/2001	Wolfsdorf	285/369
6,626,466 B1	9/2003	Dole	285/112
7,090,259 B2	8/2006	Dole	285/367
2005/0242585 A1	11/2005	Dole	285/367

OTHER PUBLICATIONS

U.S. Appl. No. 29/232,362, filed Jun. 17, 2005, (Gibb et al).
U.S. Appl. No. 29/232,359, filed Jun. 17, 2005, (Gibb et al).
Asian Sources Hardwares by CATIC Shenzhen Corp. dated Apr. 2005 (2 pages).

Primary Examiner—Louis S Zarfaz

Assistant Examiner—Eric L Goodman

(74) *Attorney, Agent, or Firm*—Synnestvedt & Lechner LLP

(57) **CLAIM**

We claim the ornamental design for a mechanical coupling, as shown and described.

DESCRIPTION

FIG. 1 is a perspective view of an embodiment of our design for a pipe coupling;

FIG. 2 is an end view of the pipe coupling shown in FIG. 1, the opposite end view being identical thereto;

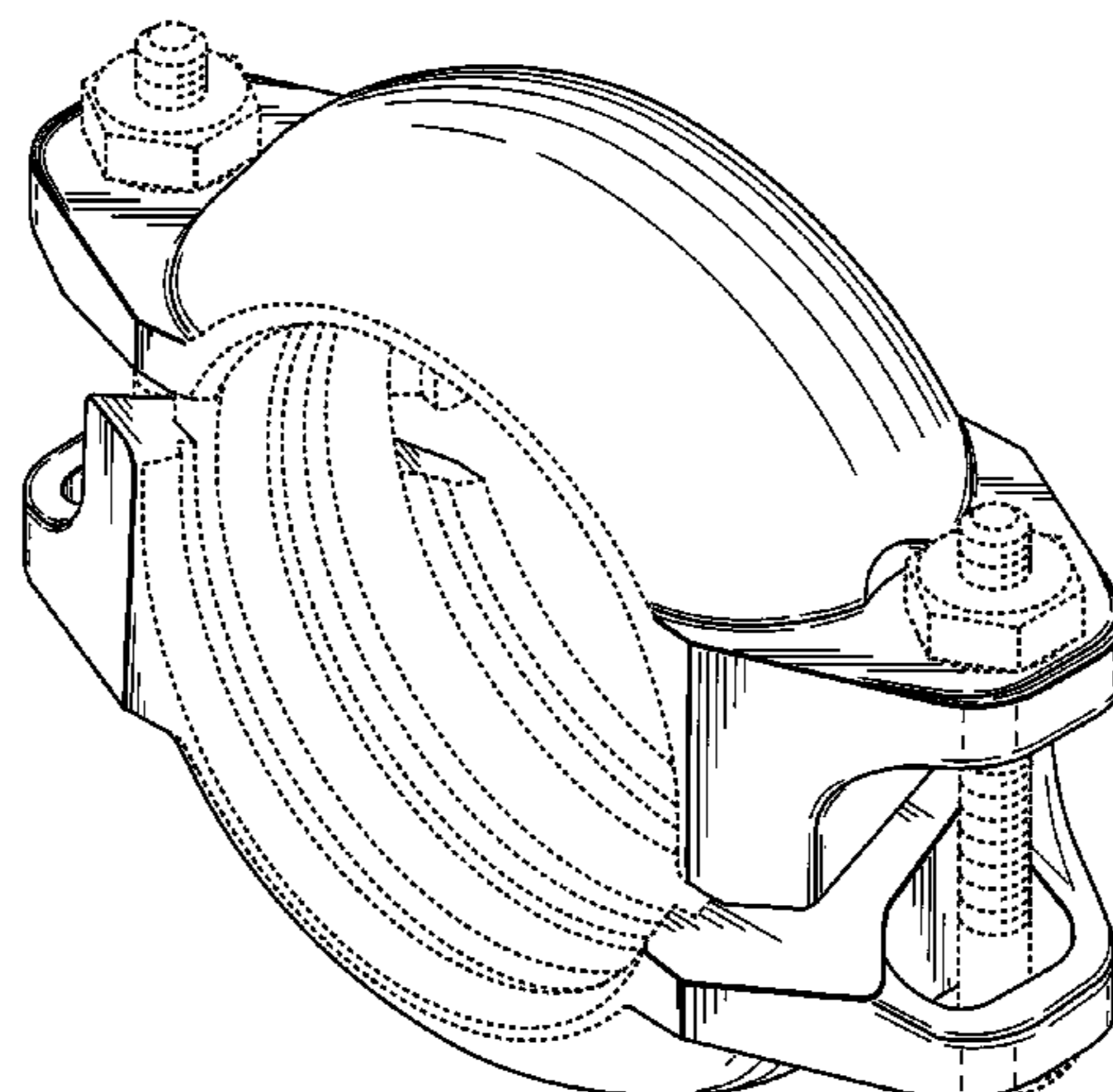
FIG. 3 is a side view of the pipe coupling shown in FIG. 1, the opposite side view being identical thereto;

FIG. 4 is a top view of the pipe coupling shown in FIG. 1; and,

FIG. 5 is a bottom view of the pipe coupling shown in FIG. 1.

The broken lines shown in FIGS. 1–5 are shown for illustrative purposes only and form no part of the claimed design.

1 Claim, 3 Drawing Sheets



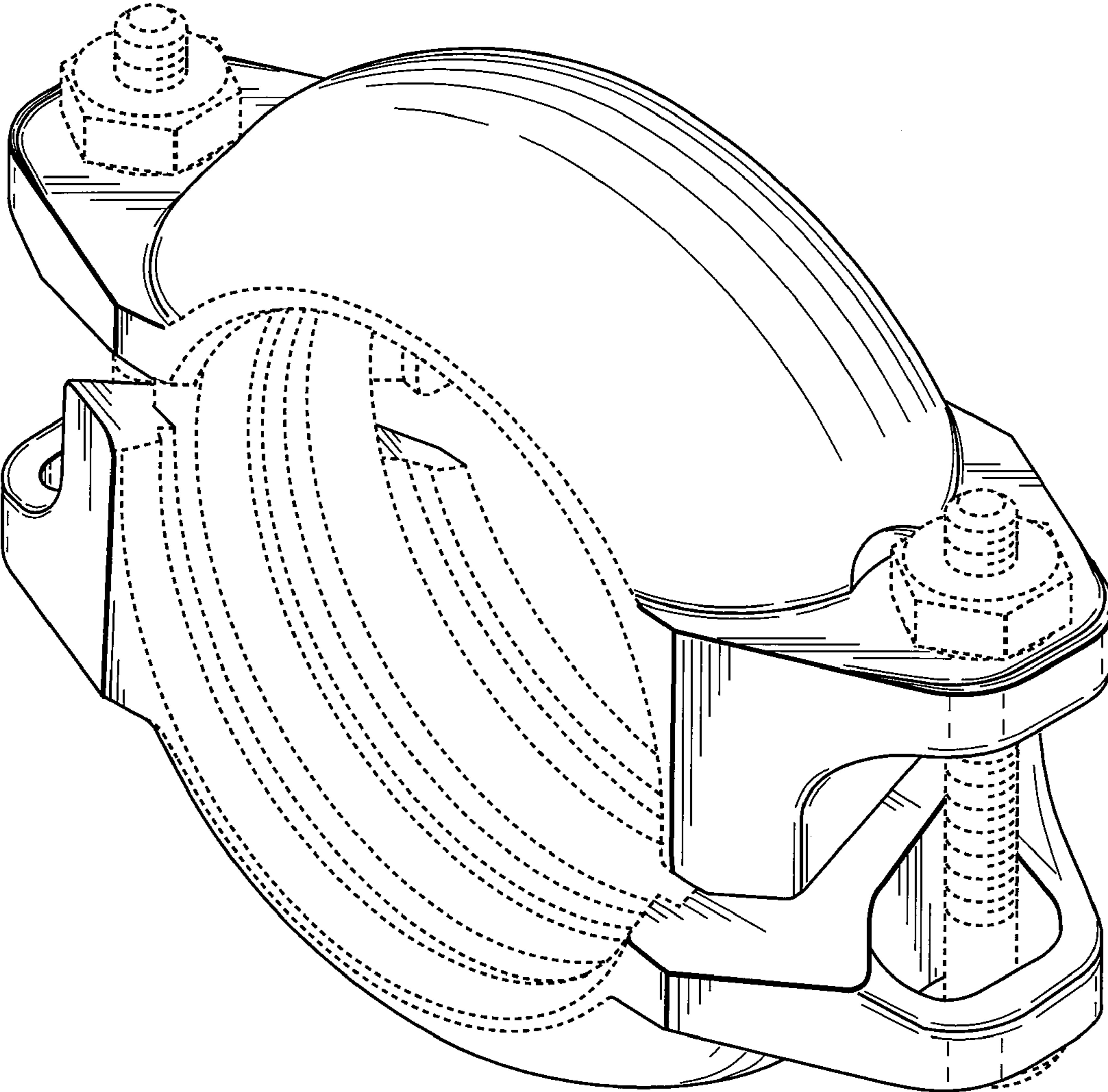


FIG. 1

FIG. 2

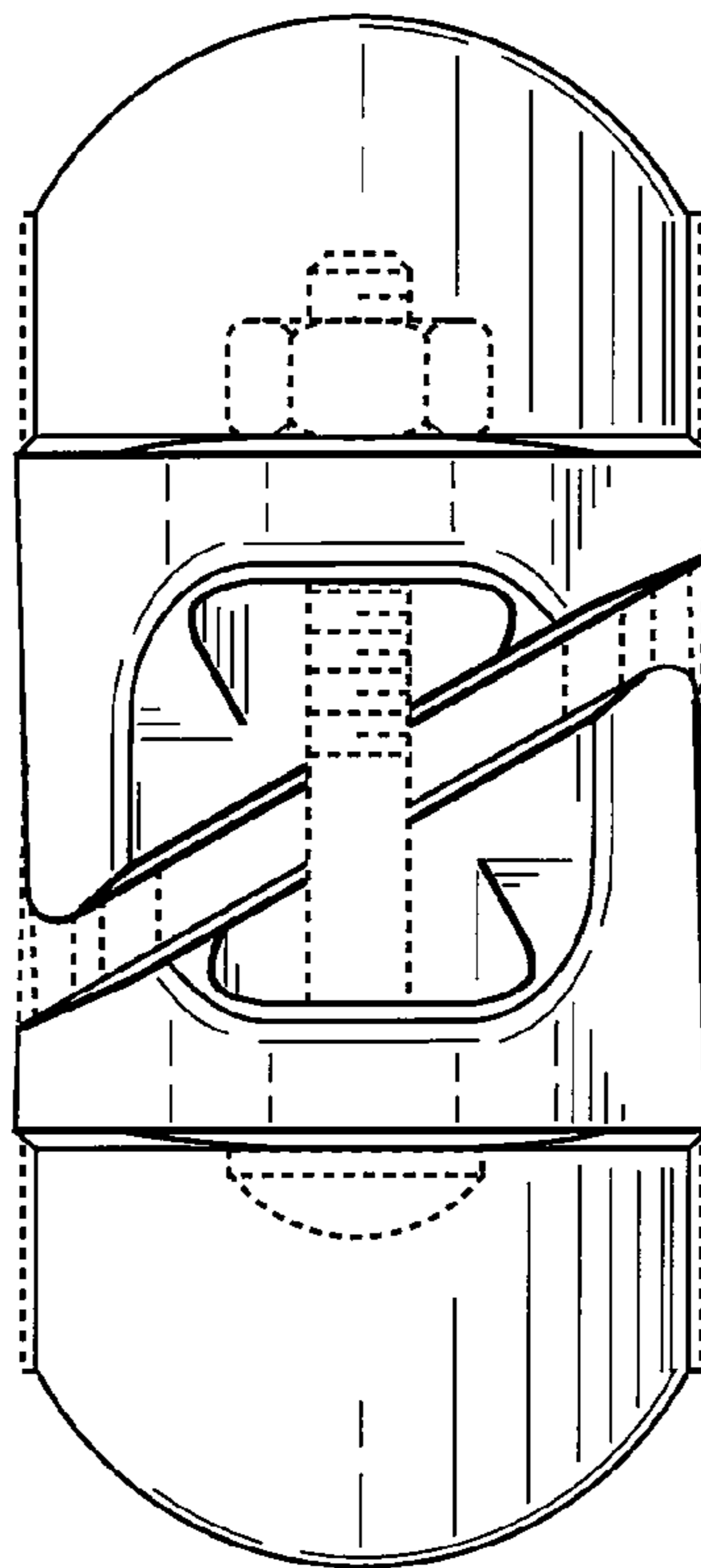
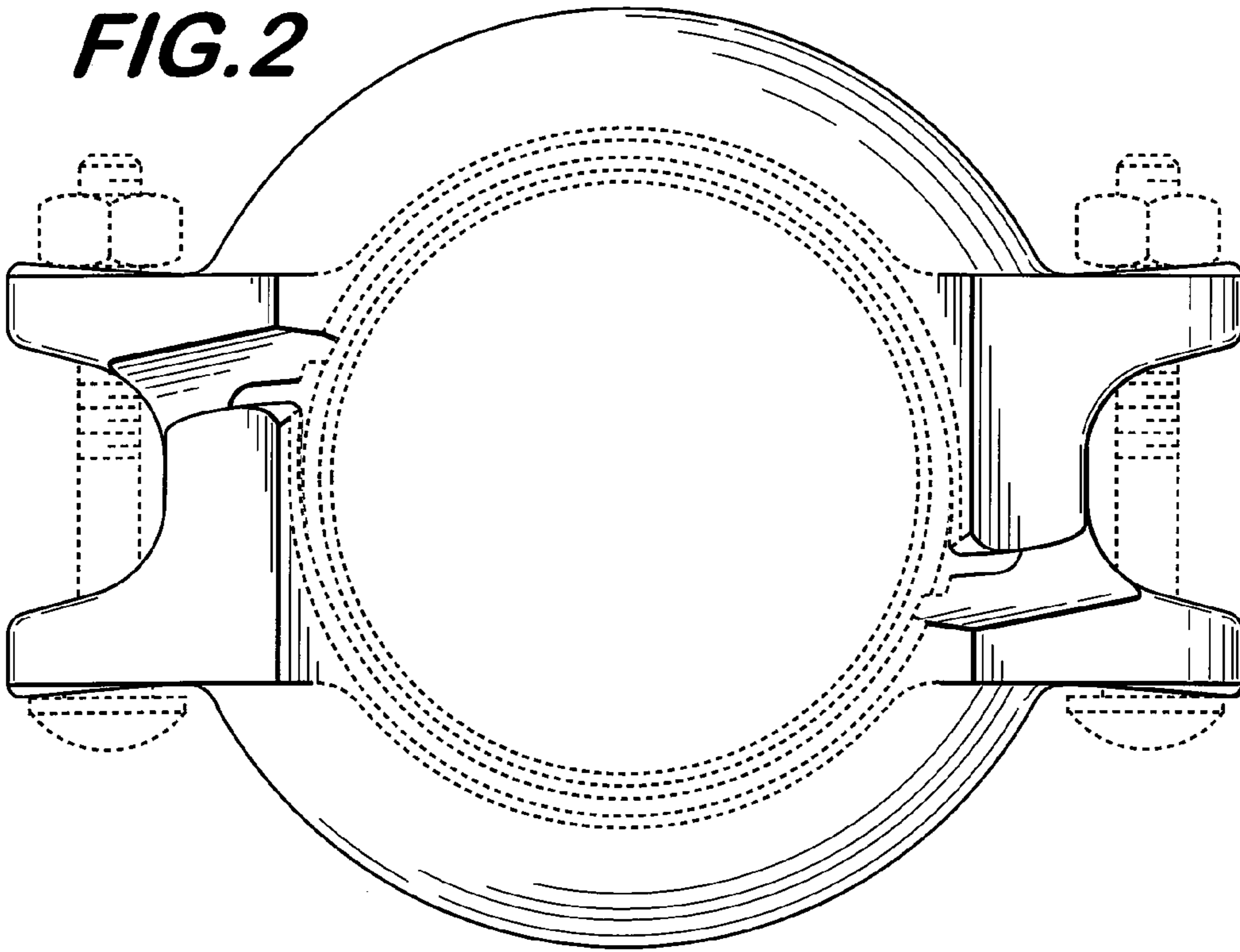


FIG. 3

FIG.4

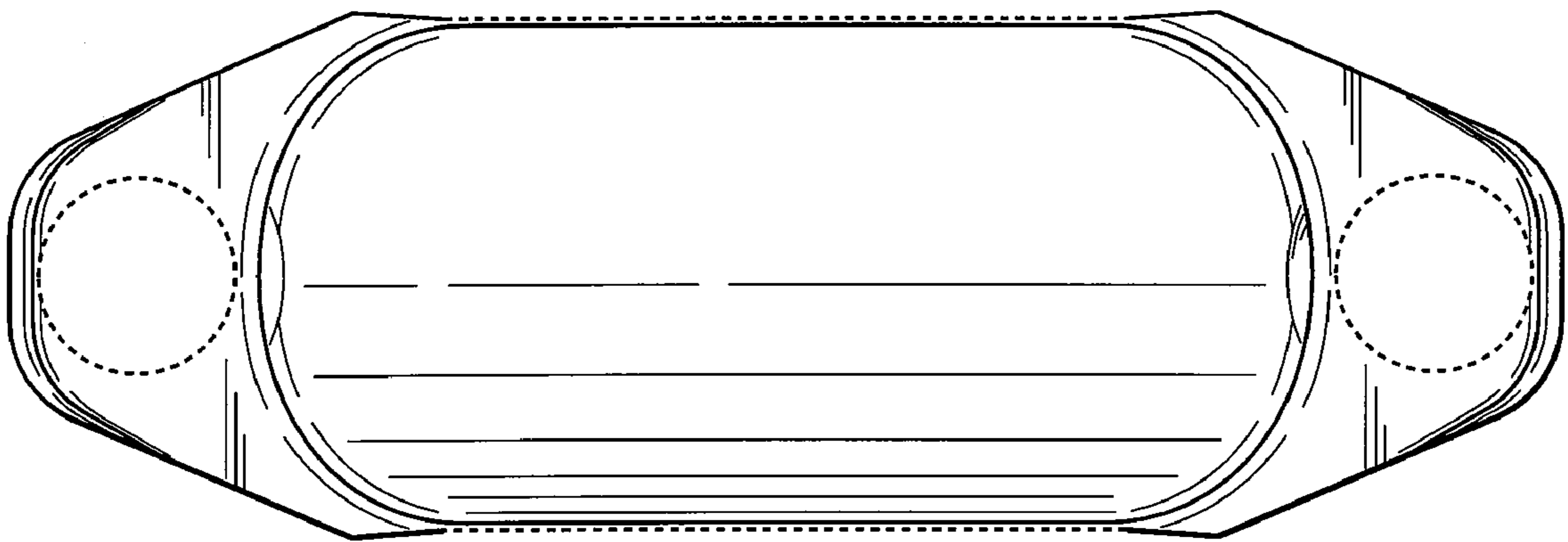
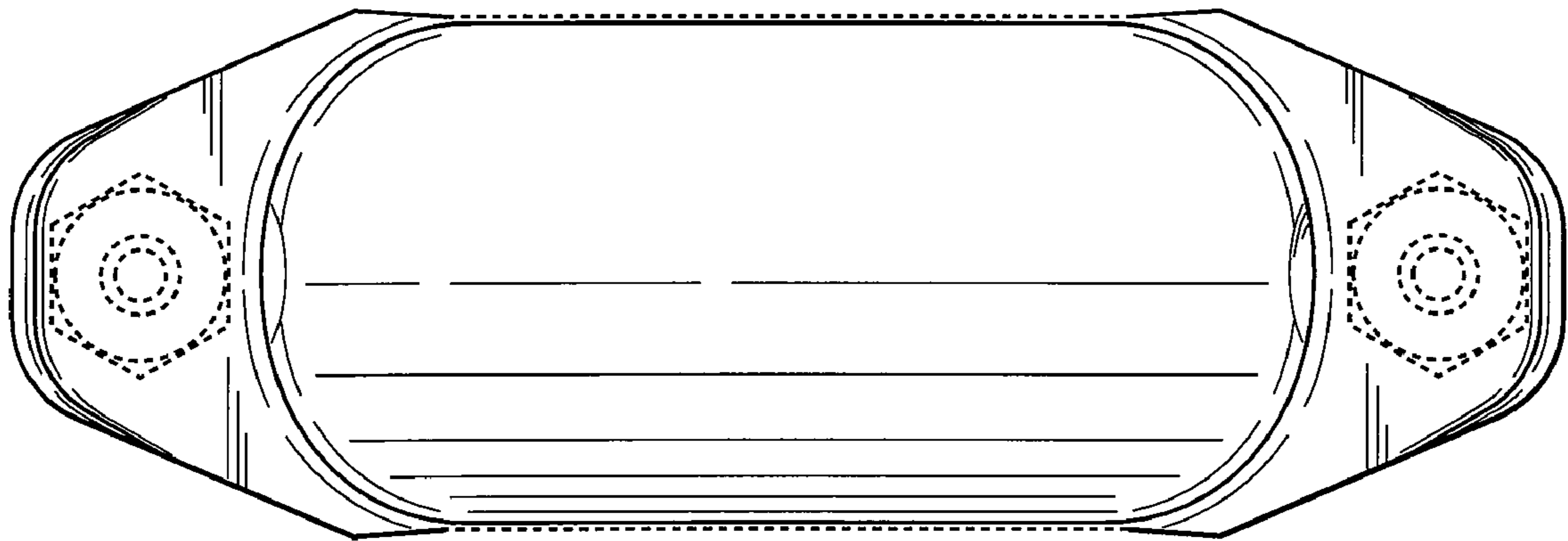


FIG.5