



US00D568447S

(12) **United States Design Patent**  
**Lai**

(10) **Patent No.:** **US D568,447 S**

(45) **Date of Patent:** **\*\* May 6, 2008**

(54) **SWITCH HANDLE OF A VALVE**

(75) Inventor: **Hung-Lin Lai**, Changhua Hsien (TW)

(73) Assignee: **Wen Sheng Fu Co., Ltd.**, Changhua Hsien (TW)

(\*\*) Term: **14 Years**

(21) Appl. No.: **29/266,394**

(22) Filed: **Sep. 20, 2006**

(51) **LOC (8) Cl.** ..... **23-01**

(52) **U.S. Cl.** ..... **D23/250**

(58) **Field of Classification Search** ..... D23/238-243,  
D23/250-254; 4/675-678; 137/801, 454.5-454.6,  
137/491; D6/550; D8/300, 307, 308, 310,  
D8/311, 312, 321; 16/110.1, 441  
See application file for complete search history.

(56) **References Cited**

**U.S. PATENT DOCUMENTS**

D514,200 S *	1/2006	Starck	.....	D23/238
D529,131 S *	9/2006	Haug et al.	.....	D23/238
D531,698 S *	11/2006	Wood et al.	.....	D23/238
D531,699 S *	11/2006	Haug et al.	.....	D23/238

D534,622 S *	1/2007	Chu et al.	.....	D23/238
D535,725 S *	1/2007	Chu et al.	.....	D23/241
D541,381 S *	4/2007	Haug et al.	.....	D23/238

\* cited by examiner

*Primary Examiner*—Robert A. Delehanty

(74) *Attorney, Agent, or Firm*—Alan Kamrath; Kamrath & Associates PA

(57) **CLAIM**

The ornamental design for a switch handle of a valve, as shown and described.

**DESCRIPTION**

FIG. 1 is a perspective view of a switch handle of a valve showing my design;

FIG. 2 is a front elevational view thereof;

FIG. 3 is a rear elevational view thereof;

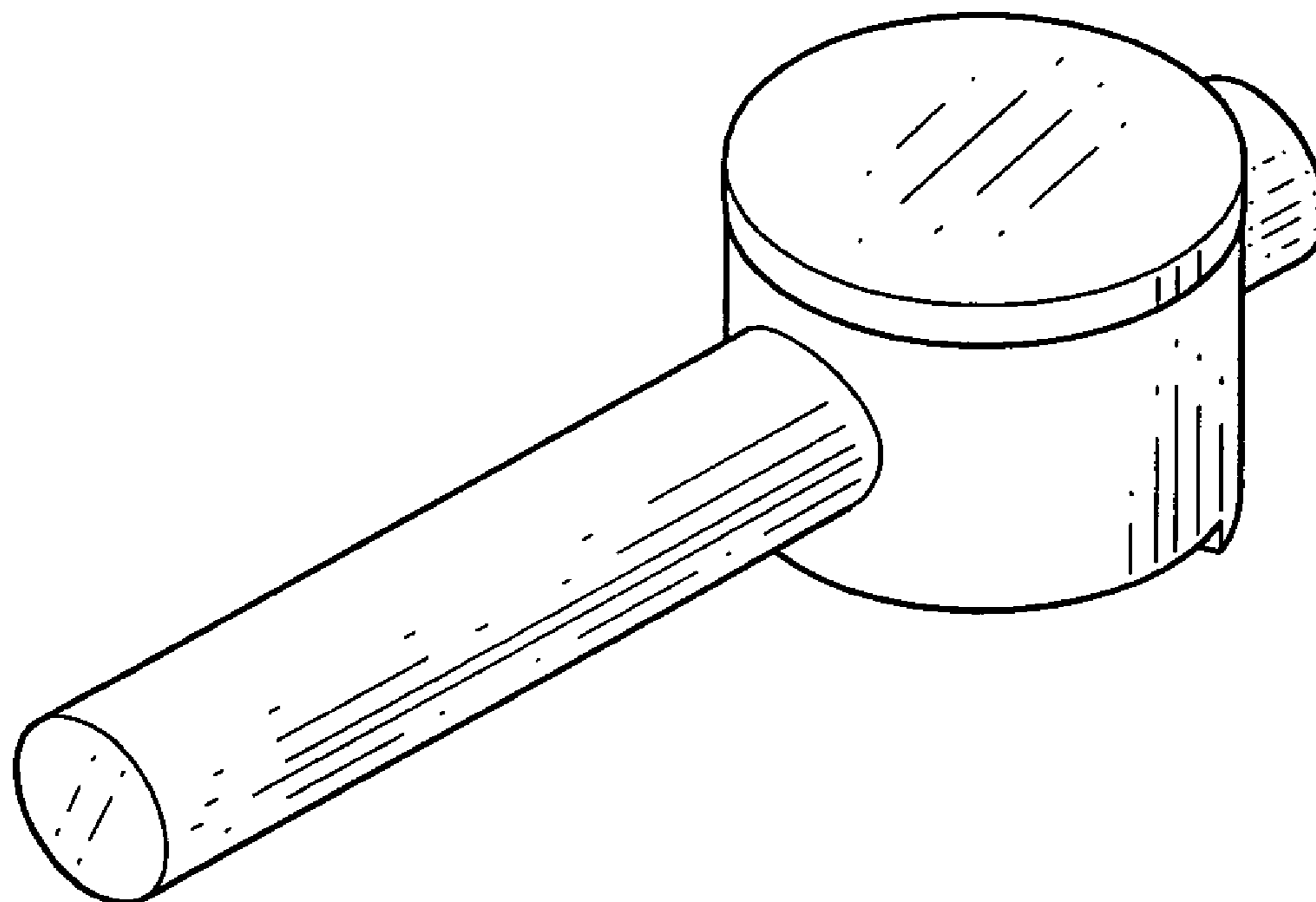
FIG. 4 is a left side elevational view thereof;

FIG. 5 is a right side elevational view thereof;

FIG. 6 is a top plan view thereof; and,

FIG. 7 is a bottom plan view thereof.

**1 Claim, 4 Drawing Sheets**



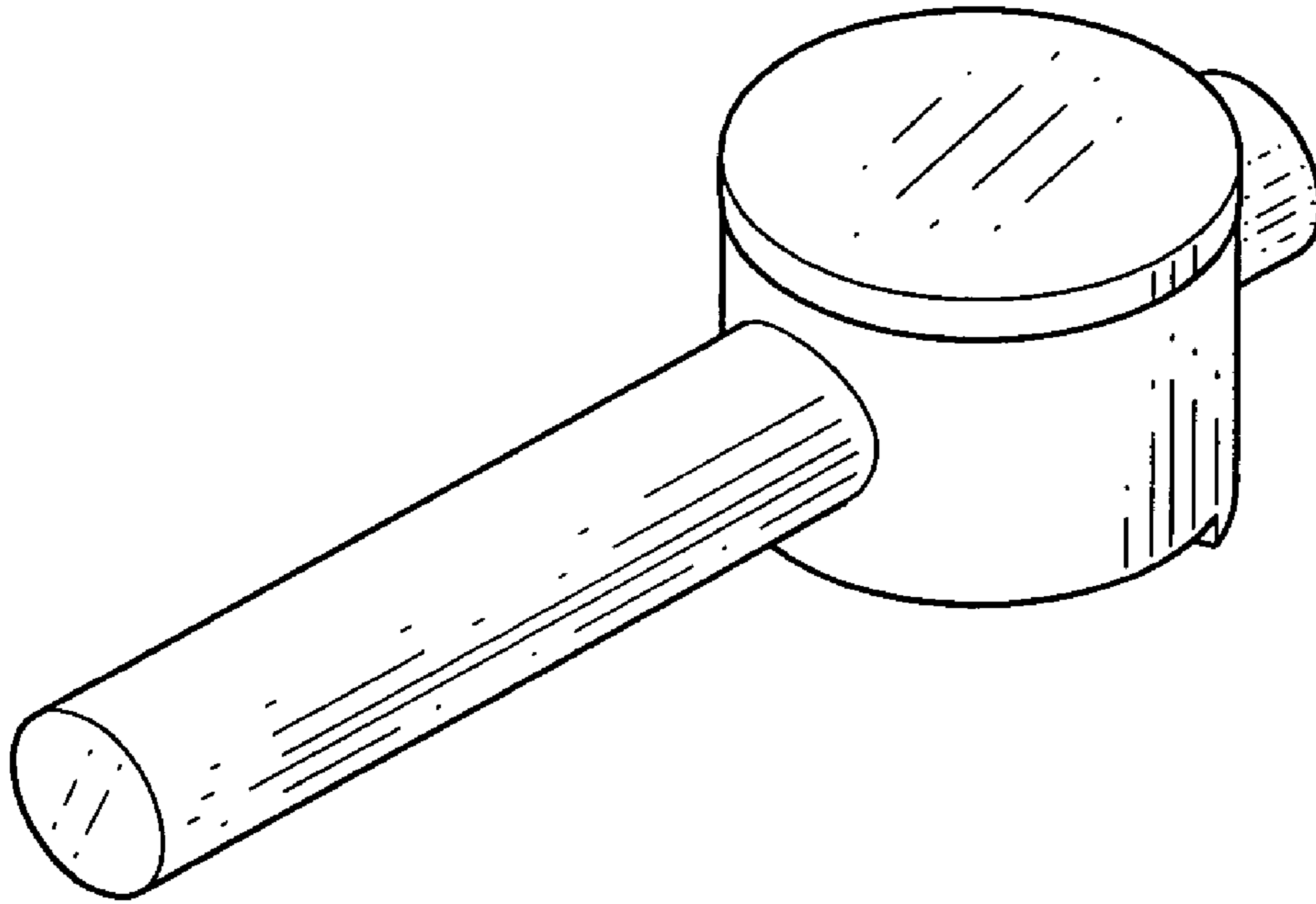


FIG. 1

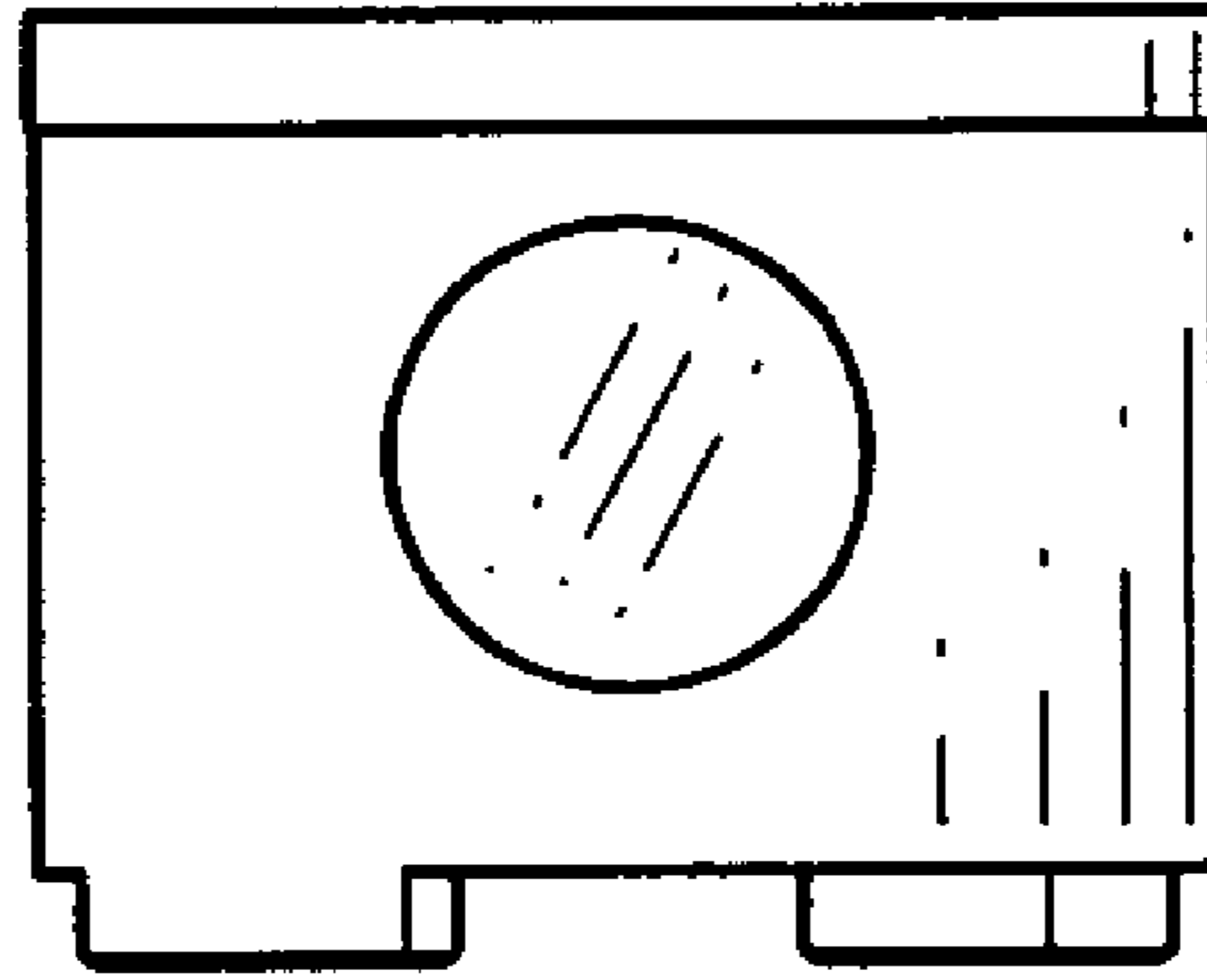


FIG. 2

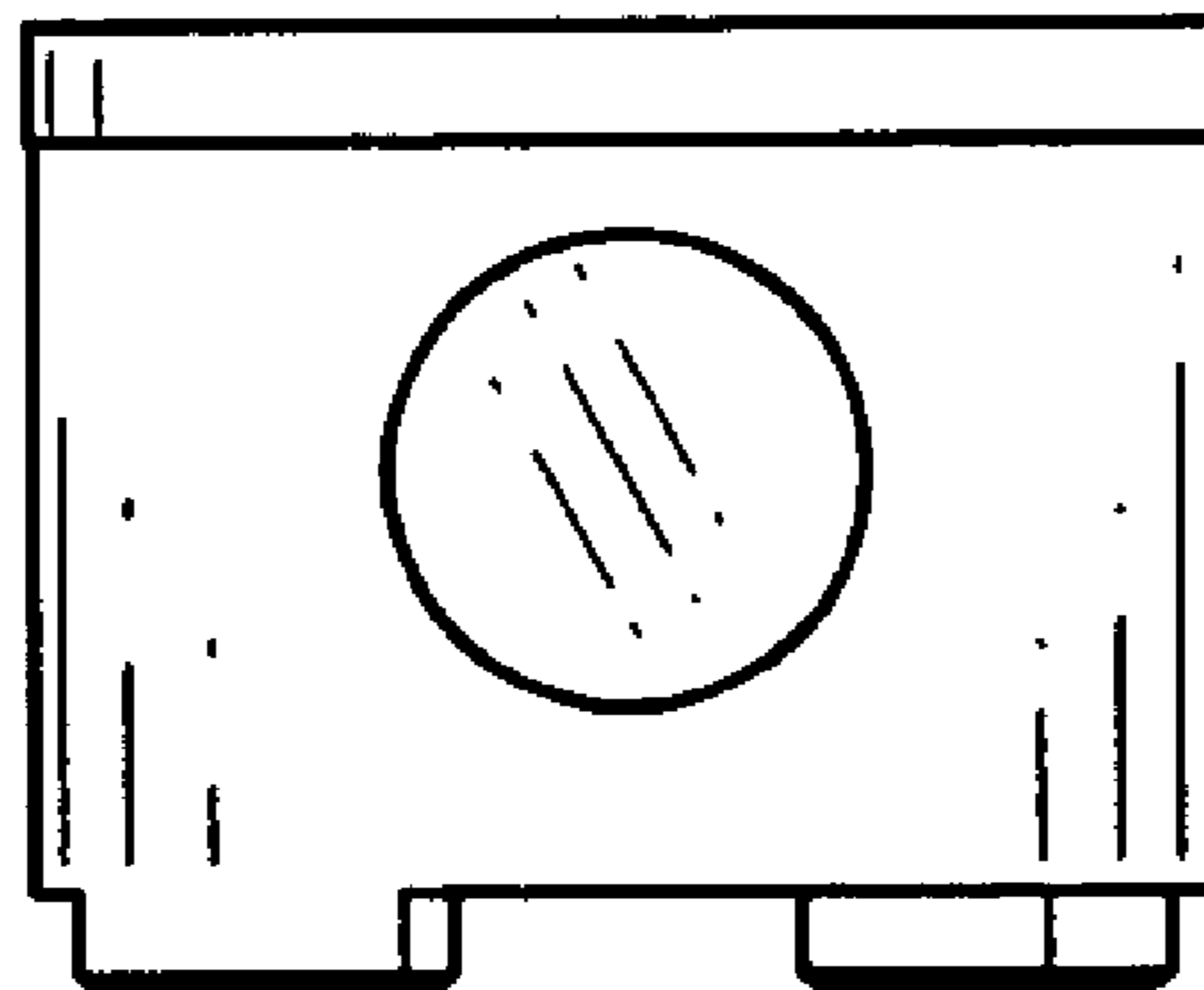


FIG. 3

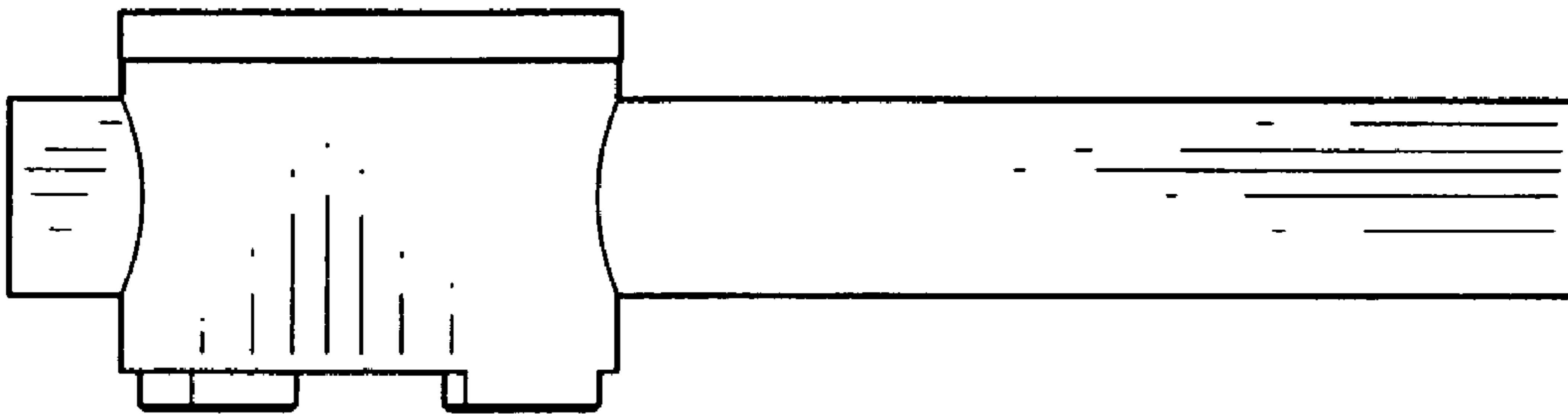


FIG. 4

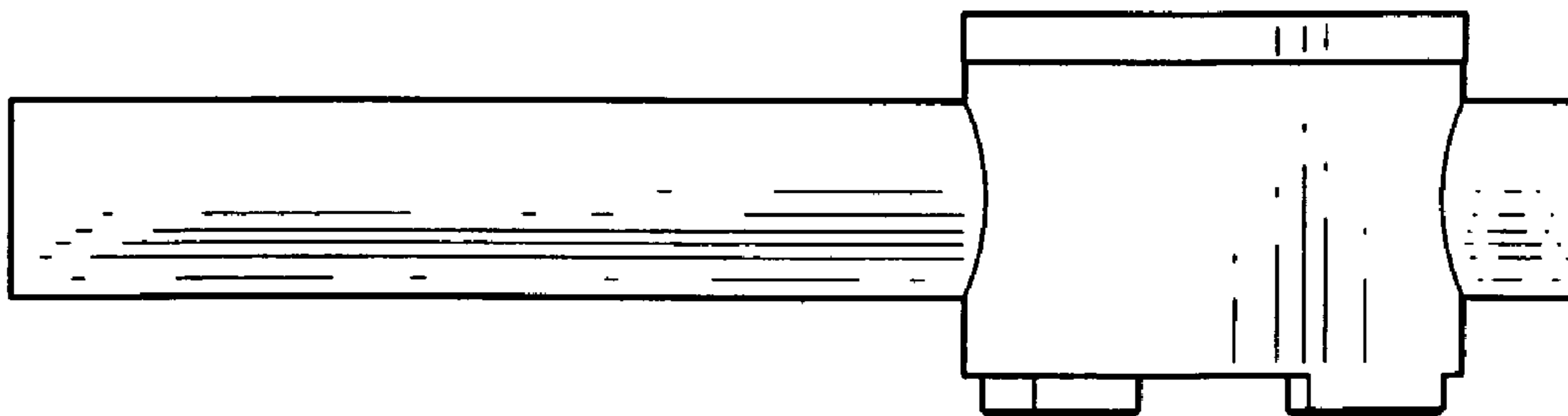


FIG. 5

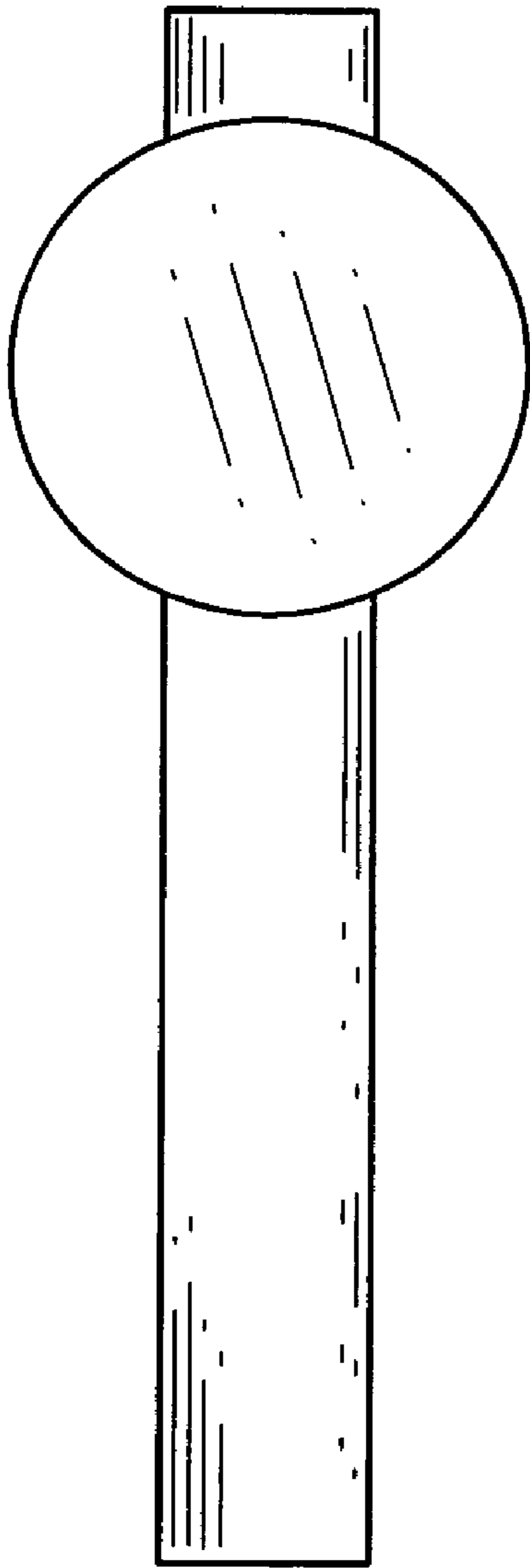


FIG. 6

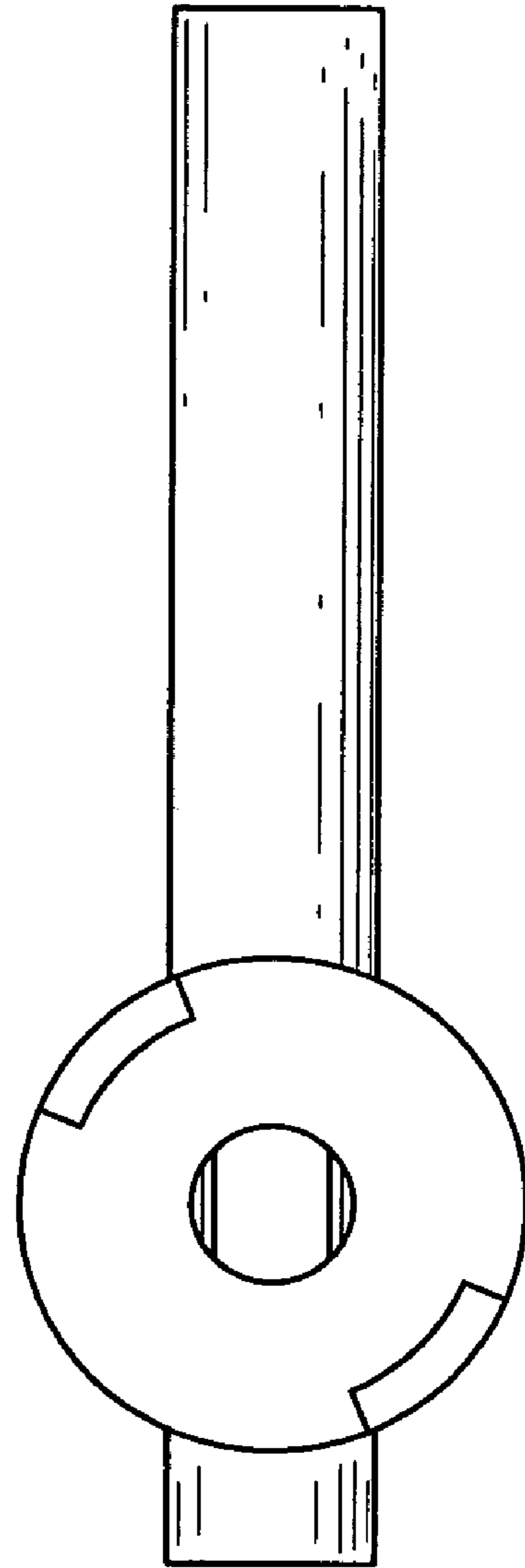


FIG. 7