

US00D568445S

(12) **United States Design Patent** (10) **Patent No.:** **US D568,445 S**
Tsai (45) **Date of Patent:** **** May 6, 2008**

(54) **PLUMBING FITTING**

(75) Inventor: **Hsin-I Ciny Tsai**, Sheboygan, WI (US)

(73) Assignee: **Kohler Co.**, Kohler, WI (US)

(**) Term: **14 Years**

(21) Appl. No.: **29/252,723**

(22) Filed: **Jan. 26, 2006**

(51) **LOC (8) Cl.** **23-01**

(52) **U.S. Cl.** **D23/249**

(58) **Field of Classification Search** D23/283,
D23/238, 241, 242, 243-249, 250, 254; D8/300,
D8/301, 303, 304, 305-308, 322, DIG. 3,
D8/350-353; 16/110.1; 4/675-678; D25/112,
D25/113, 118, 138, 140, 156
See application file for complete search history.

(56) **References Cited**

U.S. PATENT DOCUMENTS

2,460,005	A	1/1949	Gruen	
D173,628	S *	12/1954	Schlage	D8/353
D173,629	S *	12/1954	Schlage	D8/353
D184,506	S *	3/1959	Borenstein	D8/307
D202,043	S *	8/1965	Cox, Jr.	D8/353
3,633,223	A	1/1972	Killias	
3,827,088	A	8/1974	Arnold et al.	
D284,687	S *	7/1986	Doman et al.	D23/249
D300,238	S *	3/1989	Kohler et al.	D23/249
D303,566	S *	9/1989	Kohler et al.	D23/249
D306,336	S	2/1990	Oberdörfer	
D306,337	S	2/1990	Oberdörfer	
D366,519	S	1/1996	Lobermeier	
D371,432	S *	7/1996	Lobermeier	D23/303
D416,609	S	11/1999	Müllenmeister	
D426,871	S	6/2000	Fleischmann	
D442,264	S	5/2001	Müllenmeister	
D461,535	S	8/2002	Antoniello et al.	
D466,985	S *	12/2002	McKeone	D23/249
D511,805	S *	11/2005	Otero	D23/249
D523,733	S *	6/2006	Atkinson	D8/353

D525,107	S *	7/2006	Morris	D8/307
D532,874	S *	11/2006	Hoernig	D23/254
D534,250	S *	12/2006	Barry	D23/254
D540,919	S *	4/2007	Soriano	D23/249

OTHER PUBLICATIONS

Jacob Delafon; page from website.
Jacob Delafon; page from website.
Kohler Company; "The Bold Look of Kohler" catalog; "Forte Lavatory"; dated 2004; p. 4.49; Kohler, Wisconsin.
Villeroy & Boch; "Collection Square vogue"; page from website.

* cited by examiner

Primary Examiner—Ian Simmons
Assistant Examiner—Carissa C Fitts
(74) *Attorney, Agent, or Firm*—Quarles & Brady LLP

(57) **CLAIM**

The ornamental design for a plumbing fitting, as shown and described.

DESCRIPTION

In a preferred embodiment, the nature of this product is as a plumbing fitting in the form of a wall plate escutcheon for a shower and bath control.

FIG. 1 is a left, top, front perspective view of a plumbing fitting according to my new design;

FIG. 2 is a front elevational view thereof;

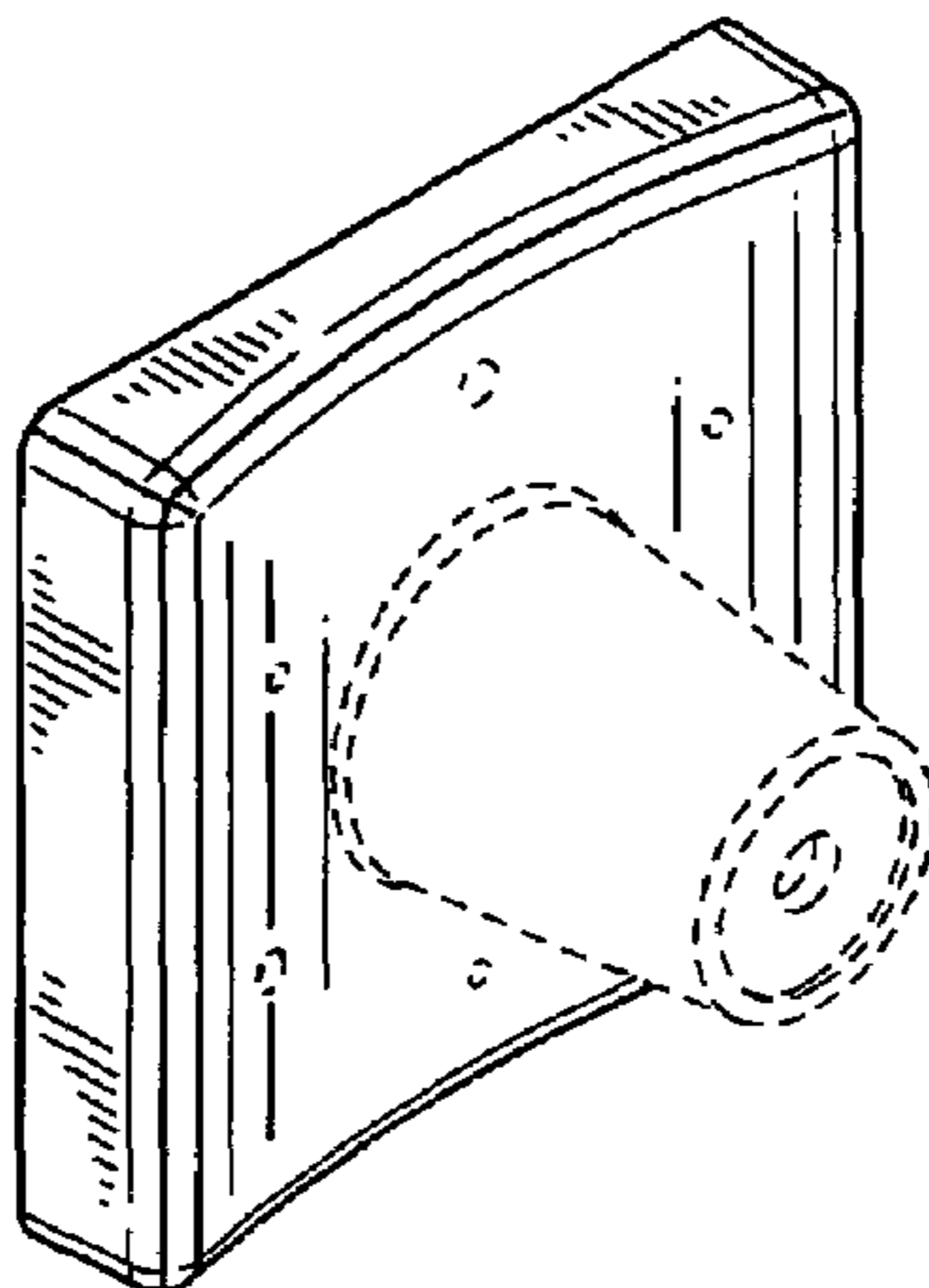
FIG. 3 is a top plan view thereof, the bottom plan view thereof being a mirror image of the bottom view shown;

FIG. 4 is a left side elevational view thereof, the right side elevational view thereof being a mirror image of the left side shown; and,

FIG. 5 is a rear elevational view thereof.

The broken line representations of an opening in FIGS. 1-2 and 5, handle bonnet structure in FIGS. 1-4 and rear wall structure in FIG. 5 are for the purpose of illustration only, and form no part of the claimed design.

1 Claim, 2 Drawing Sheets



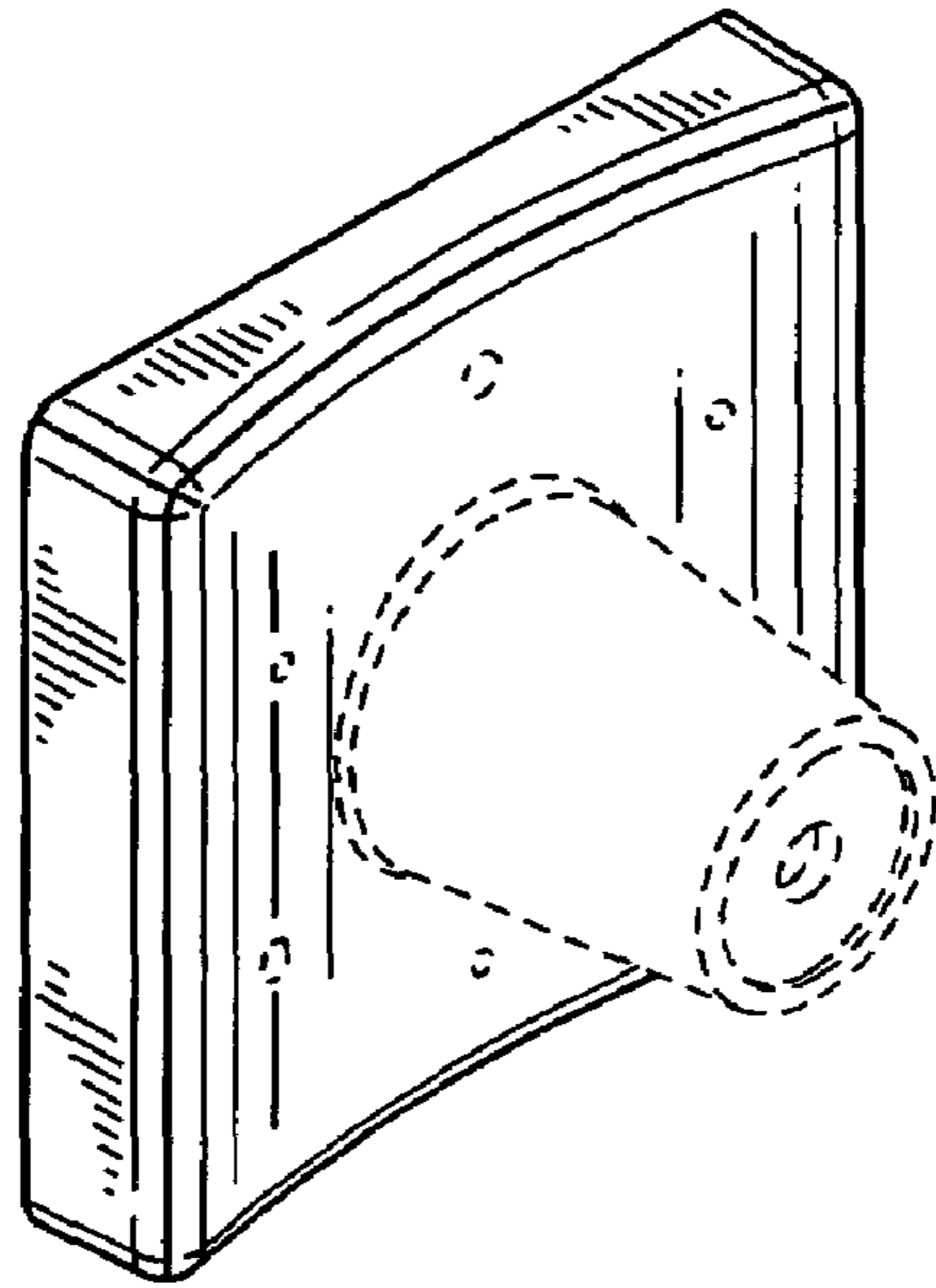


FIG. 1

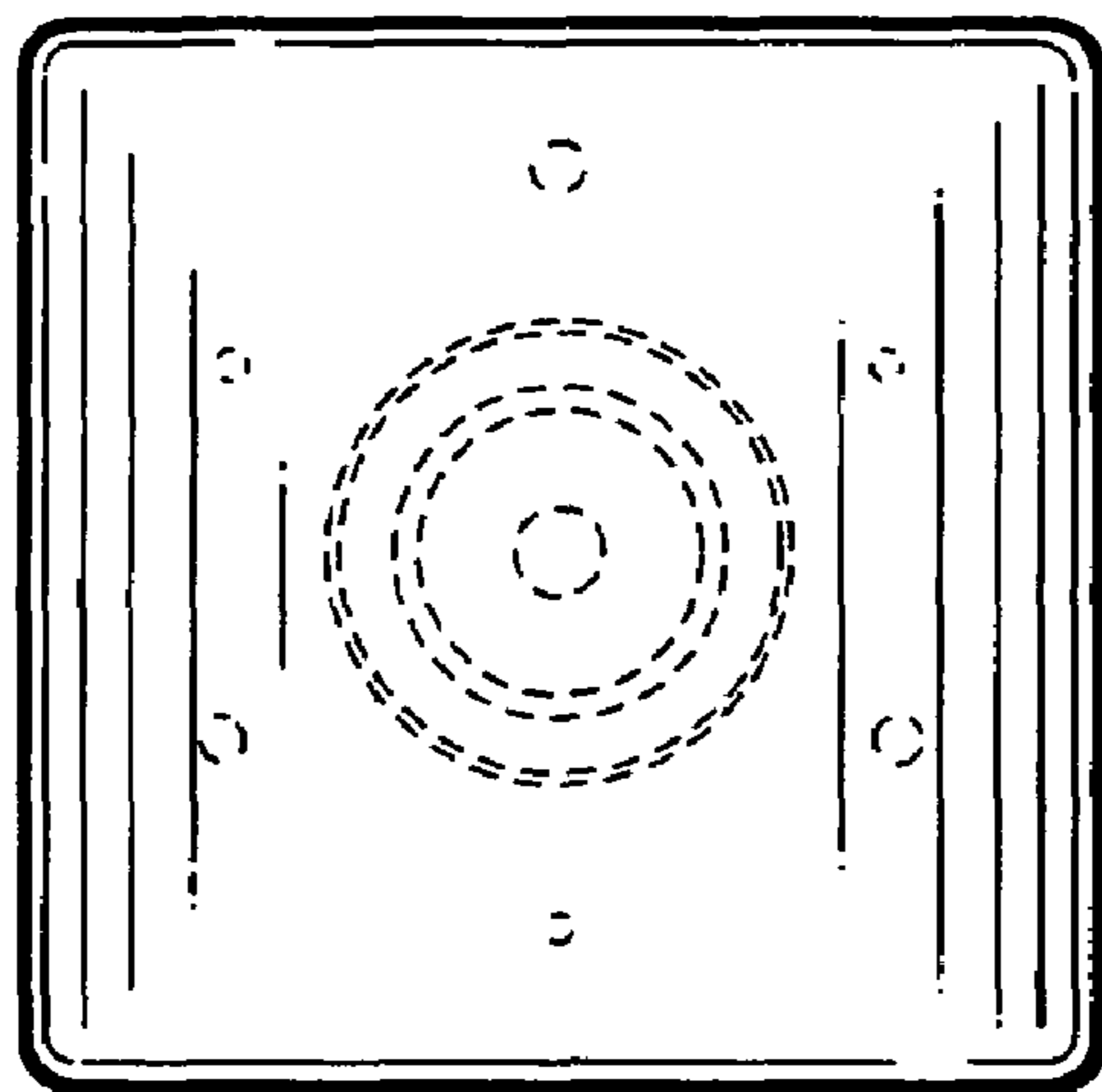


FIG. 2

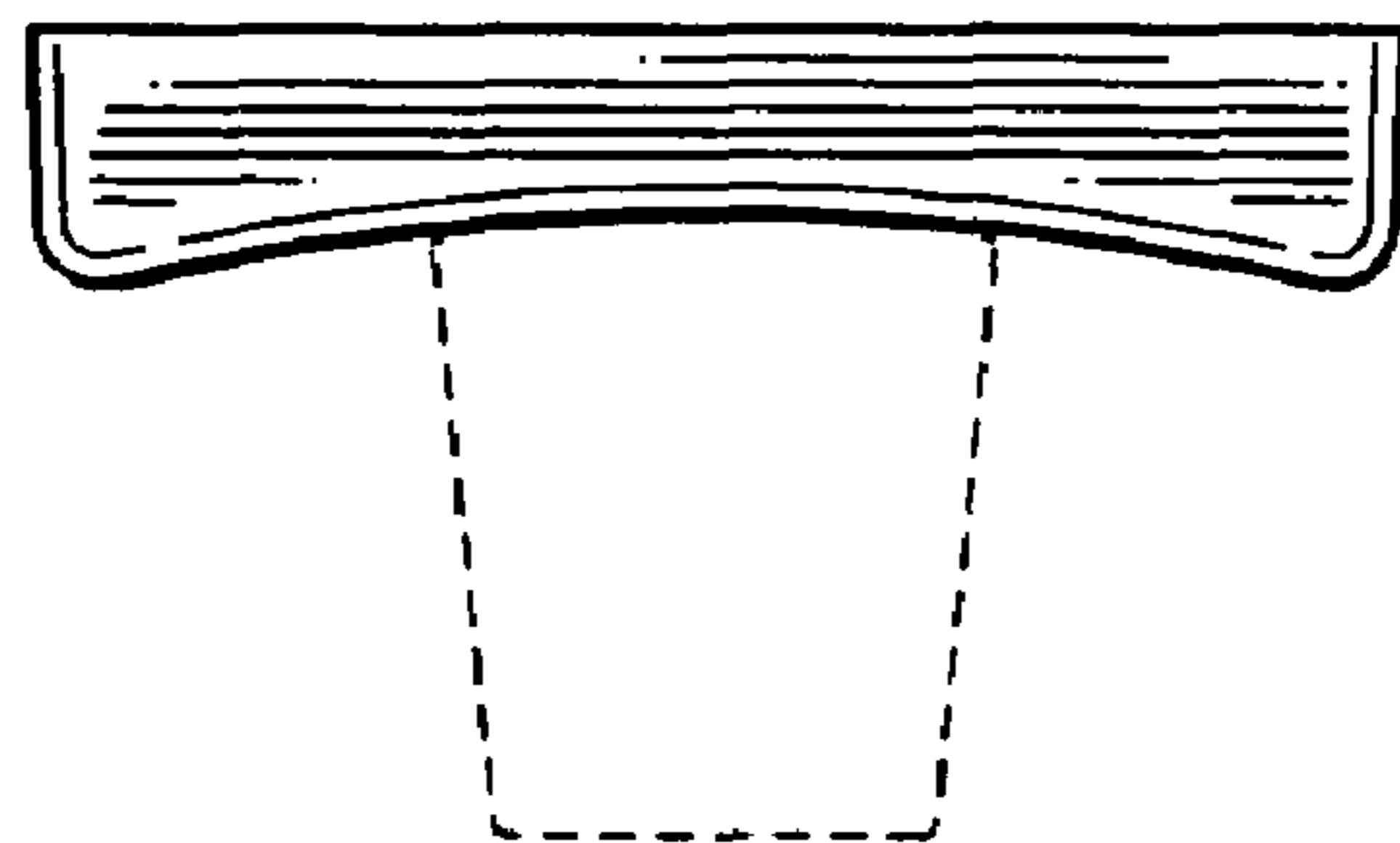


FIG. 3

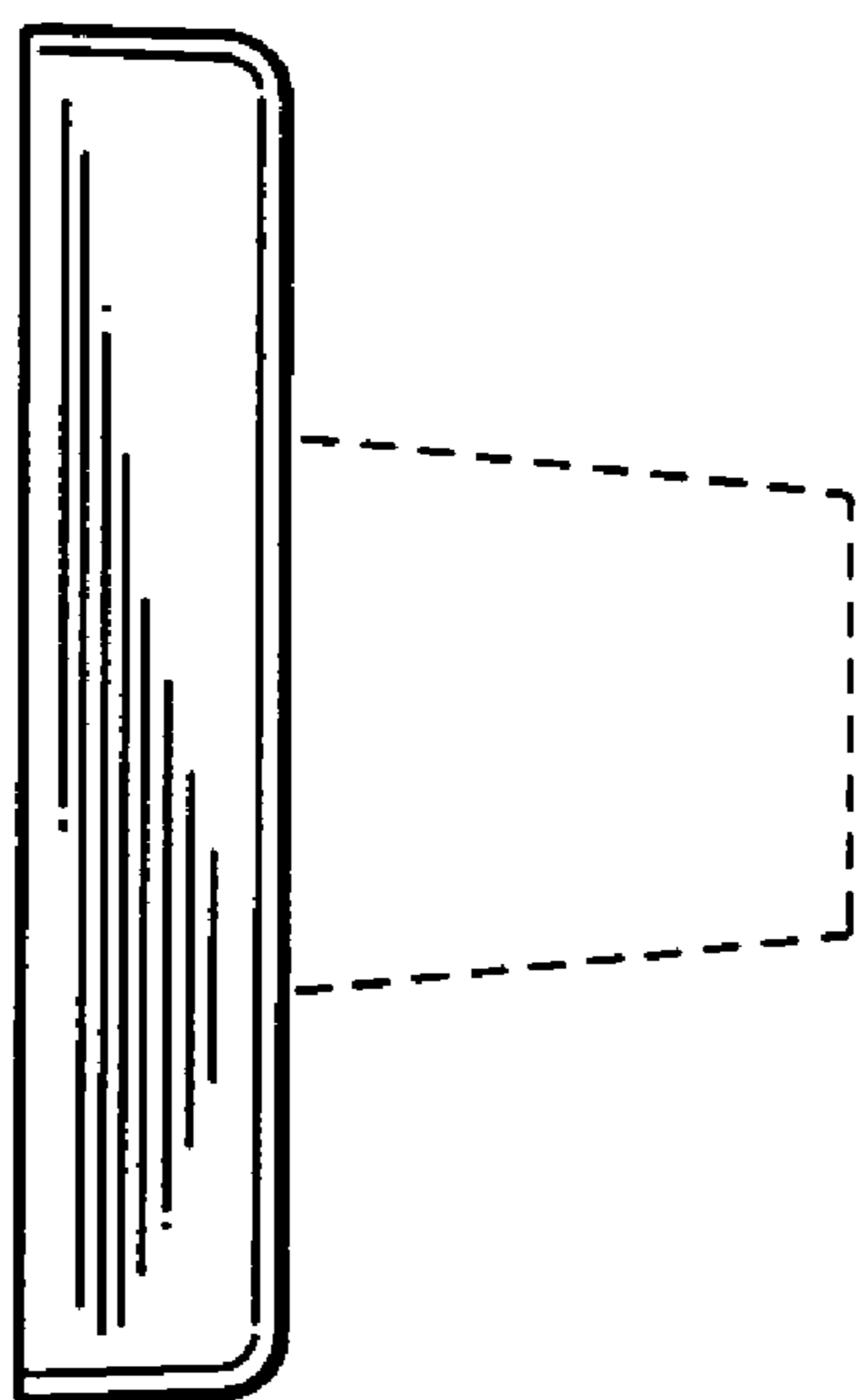


FIG. 4

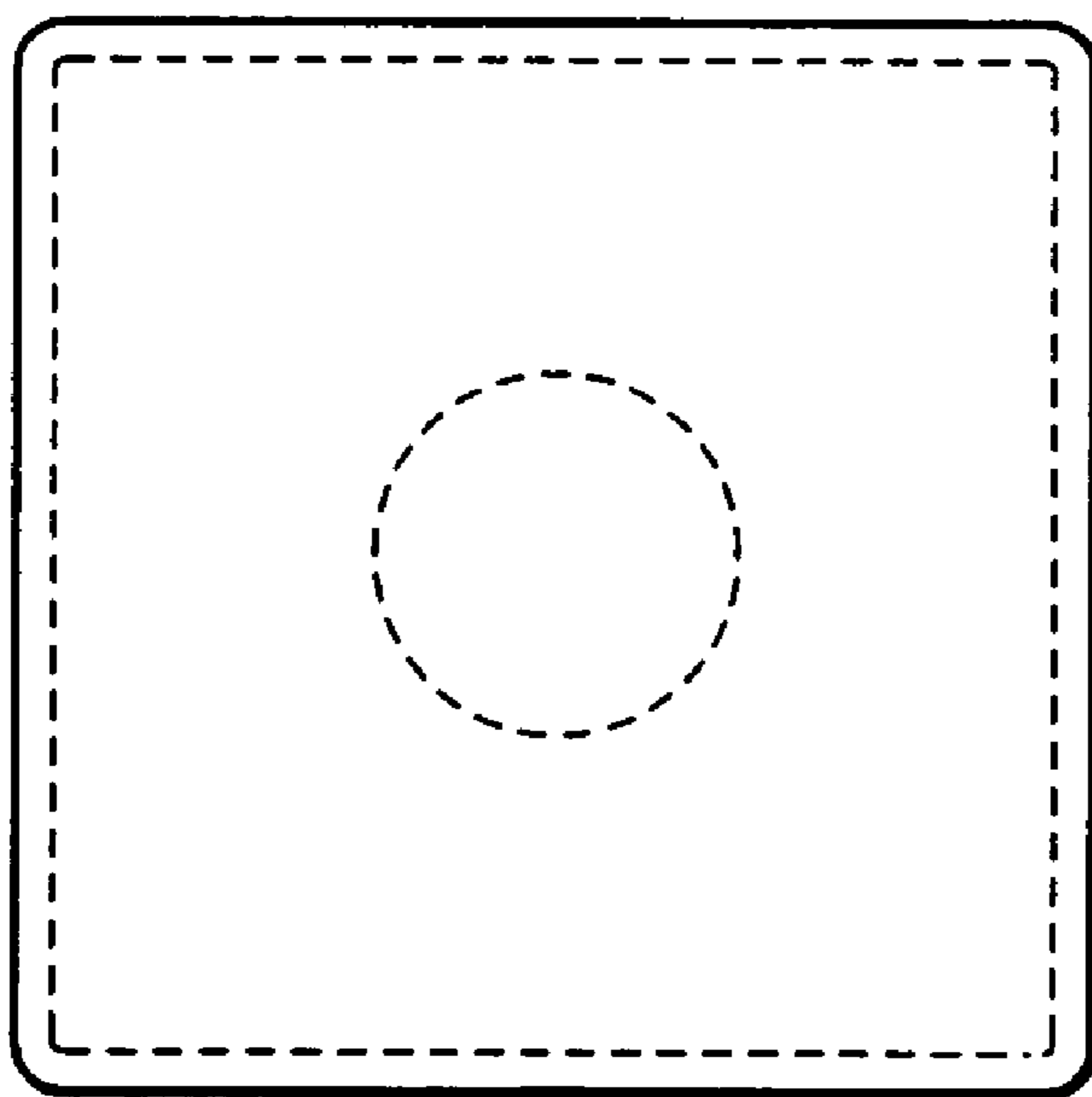


FIG. 5