



US00D568444S

(12) **United States Design Patent**
Lobermeier et al.

(10) **Patent No.:** **US D568,444 S**

(45) **Date of Patent:** **** May 6, 2008**

(54) **DECK-MOUNT SINK FAUCET**

D546,421 S * 7/2007 Kulig et al. D23/241

(75) Inventors: **Hans Lobermeier**, Menden (DE); **Theo Wolf**, Senden (DE)

* cited by examiner

(73) Assignee: **Grohe AG**, Hemer (DE)

Primary Examiner—Robert A. Delehanty

(74) *Attorney, Agent, or Firm*—Andrew Wilford

(**) Term: **14 Years**

(57) **CLAIM**

(21) Appl. No.: **29/267,611**

The ornamental design for a deck-mount sink faucet, as shown.

(22) Filed: **Oct. 18, 2006**

(30) **Foreign Application Priority Data**

DESCRIPTION

May 22, 2006 (EM) 000532932-0009

FIG. 1 is a perspective view of the faucet according to the invention;

(51) **LOC (8) Cl.** **23-01**

FIG. 2 is a top view of the faucet;

(52) **U.S. Cl.** **D23/241**

FIG. 3 is a front view of the faucet;

(58) **Field of Classification Search** D23/238–243,
D23/250–257; 4/675–678; 137/801
See application file for complete search history.

FIG. 4 is a left-side view of the faucet, the right side being substantially identical;

(56) **References Cited**

FIG. 5 is a back view of the faucet; and,

U.S. PATENT DOCUMENTS

FIG. 6 is a bottom view of the faucet.

D475,124 S * 5/2003 Citterio D23/241

1 Claim, 4 Drawing Sheets

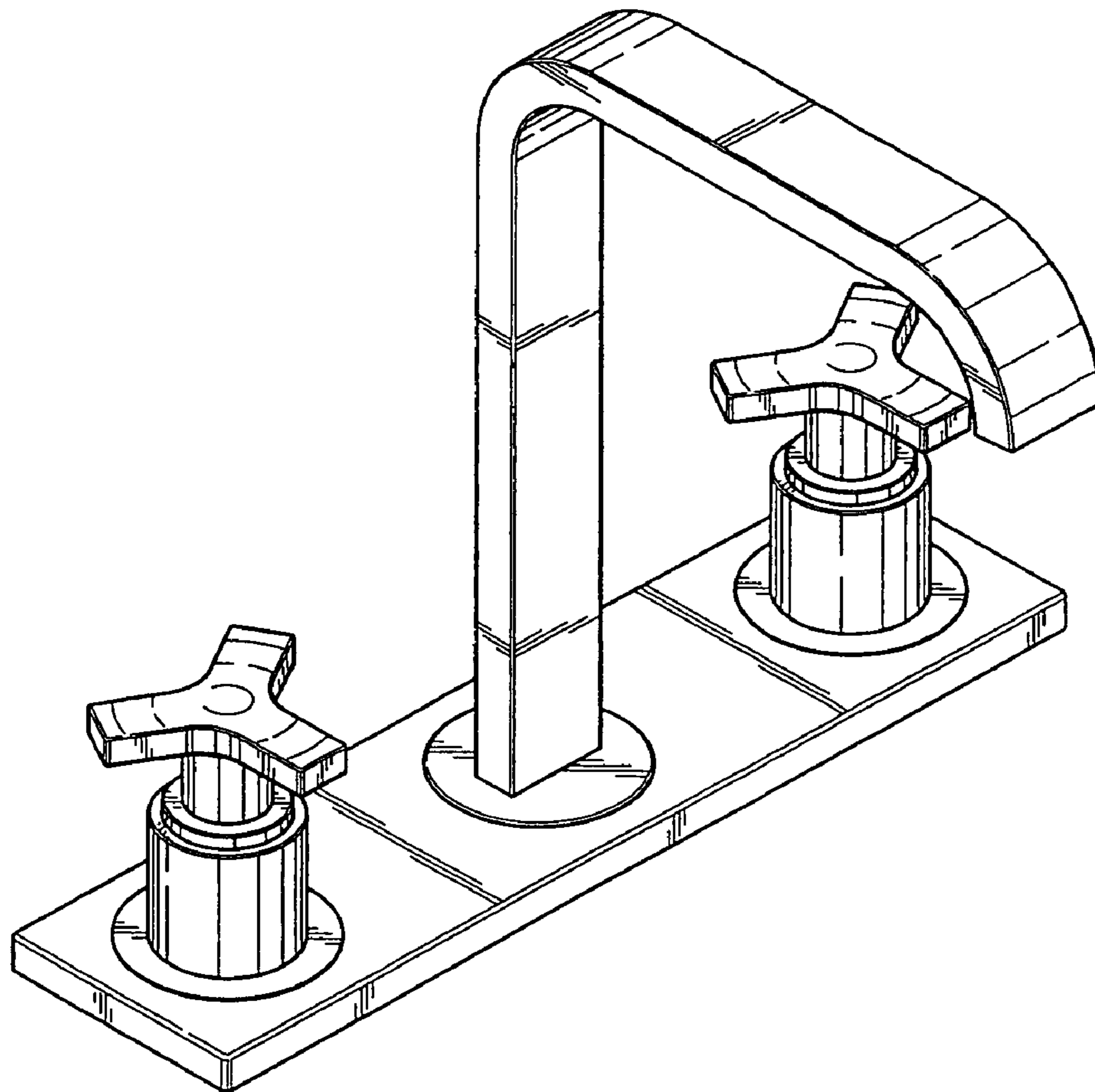
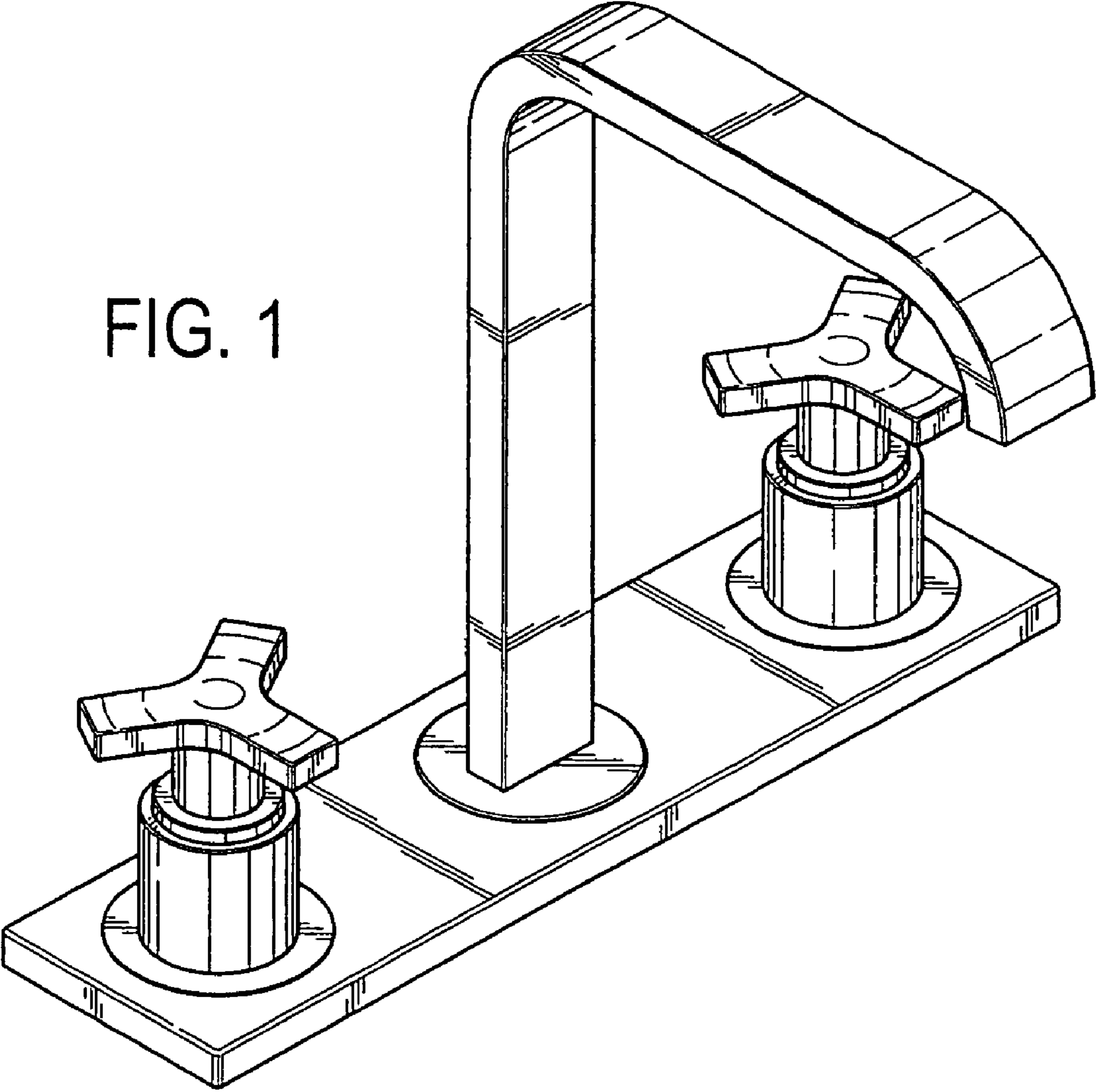


FIG. 1



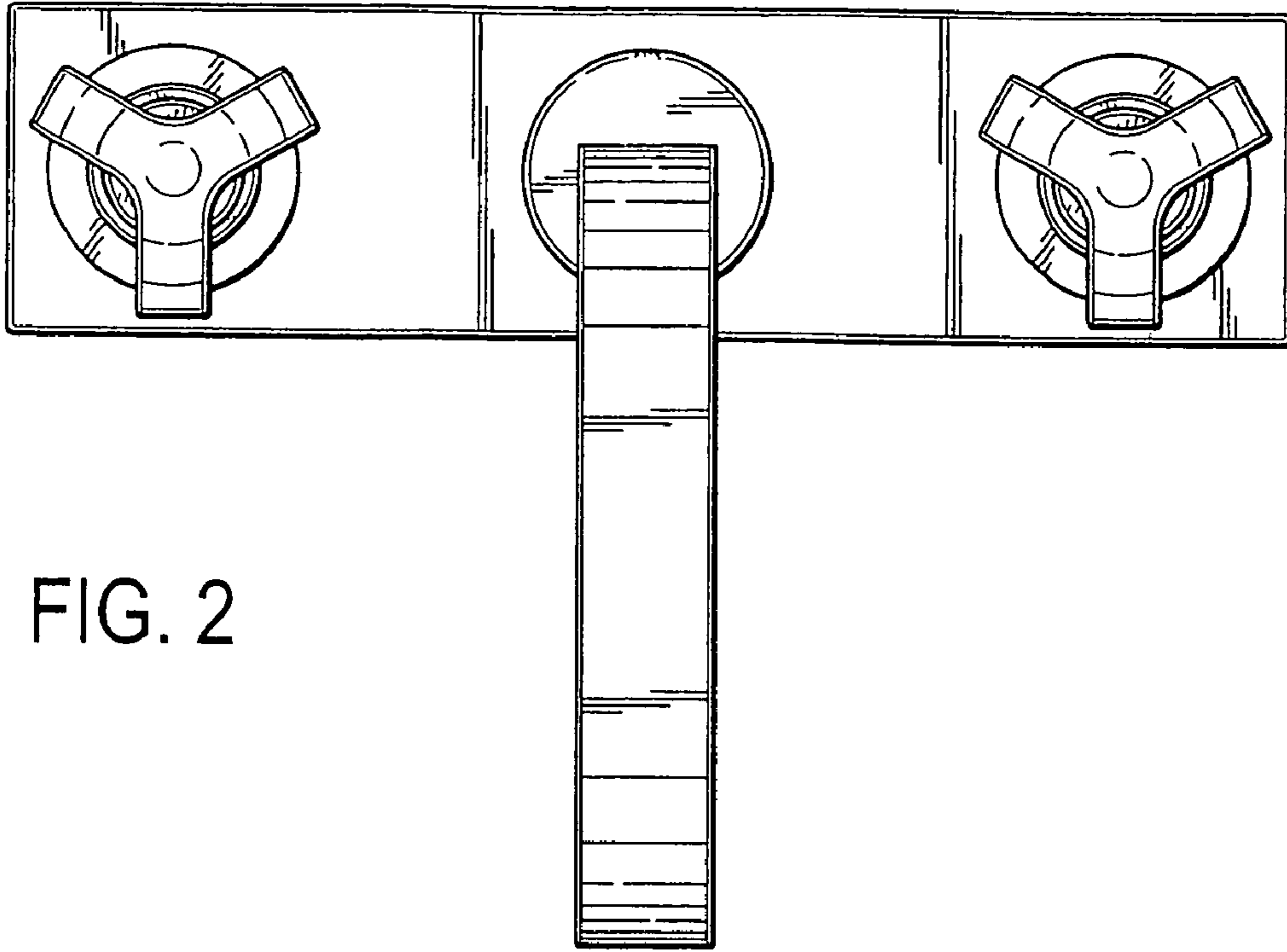


FIG. 2

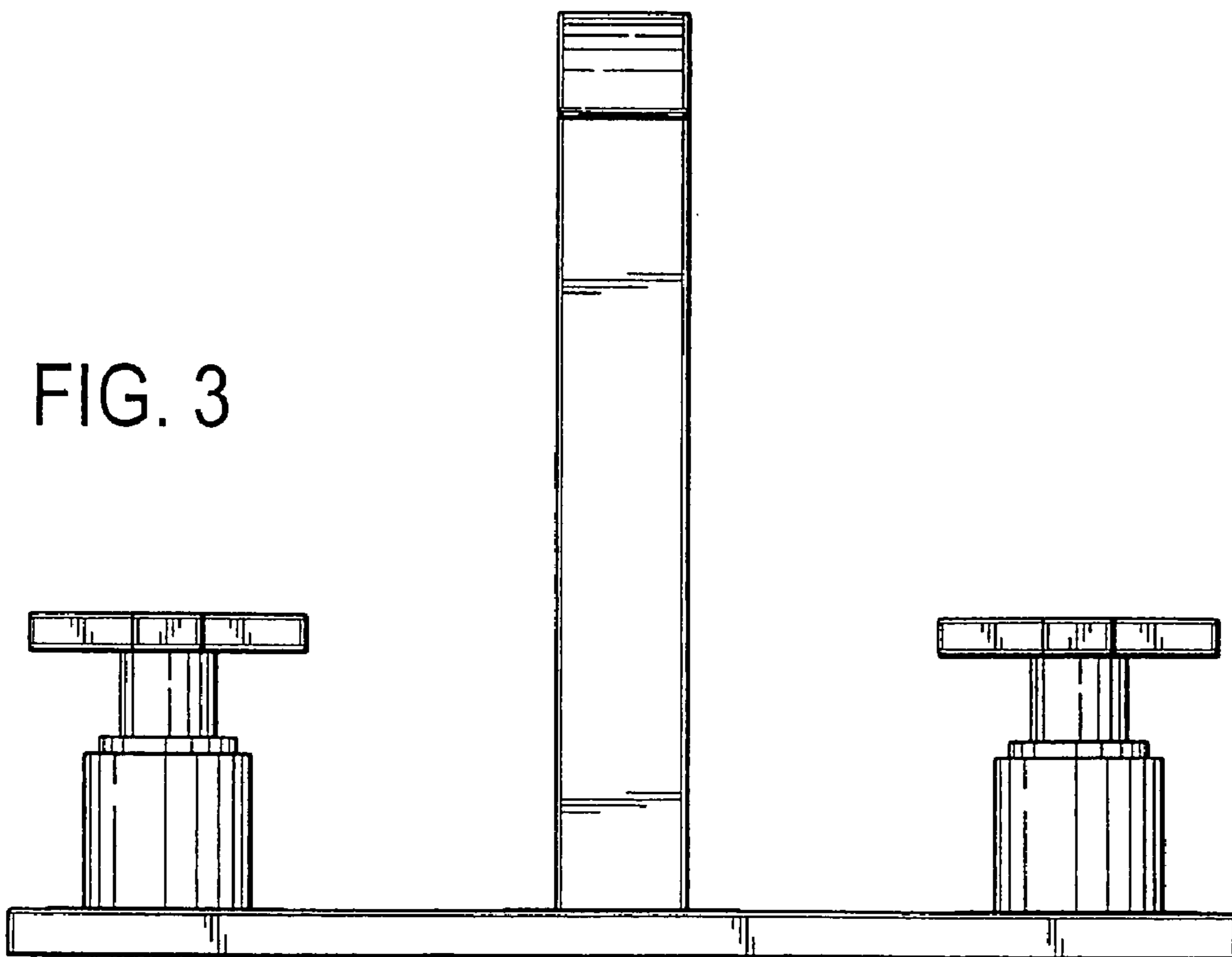


FIG. 3

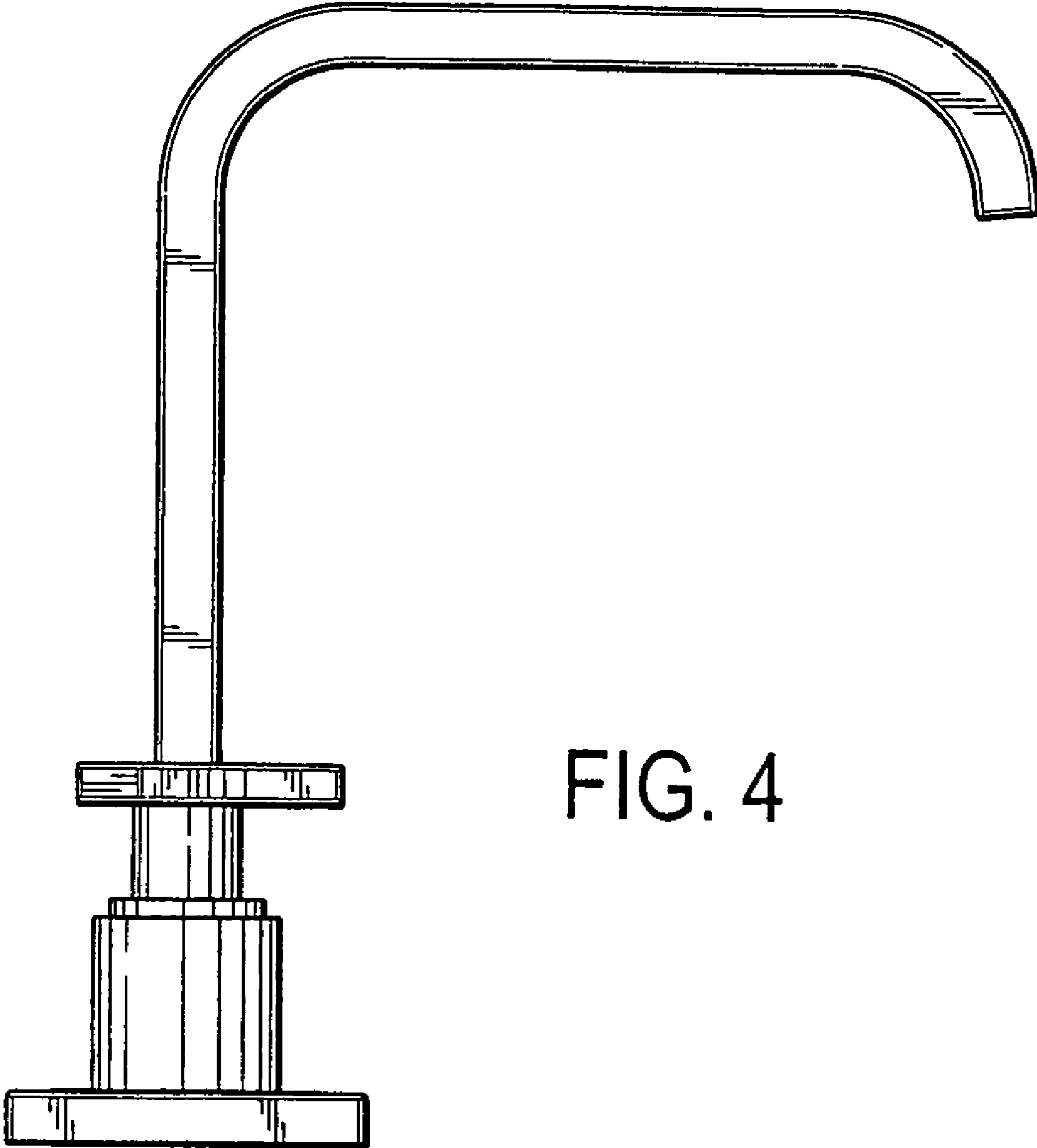


FIG. 4

FIG. 5

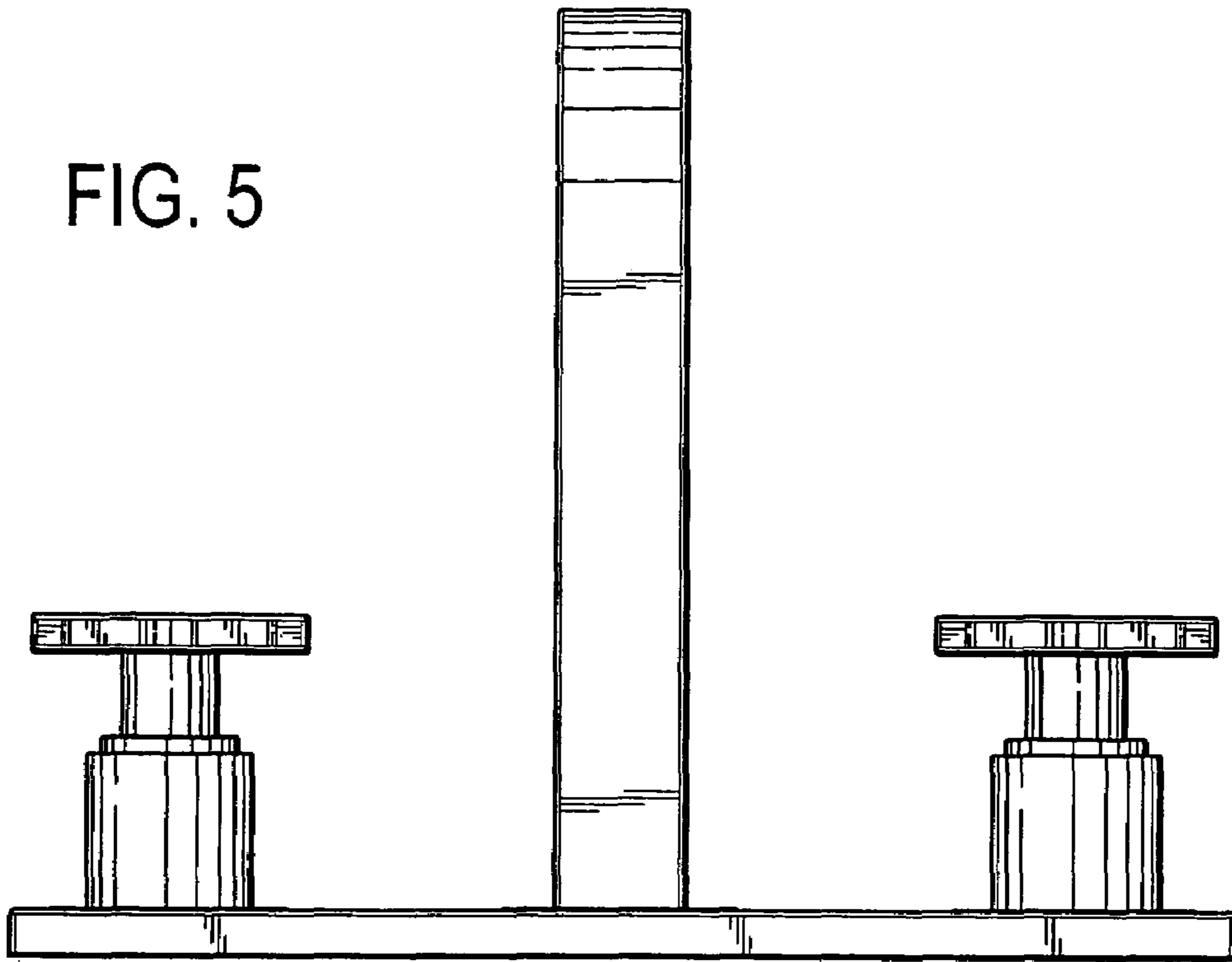


FIG. 6

