



US00D568442S

(12) **United States Design Patent**
Garner

(10) **Patent No.:** **US D568,442 S**

(45) **Date of Patent:** **** May 6, 2008**

(54) **FAUCET**

(75) Inventor: **Pierre Garner**, Paris (FR)

(73) Assignee: **ToTo Ltd.**, Kitakyushu (JP)

(**) Term: **14 Years**

(21) Appl. No.: **29/260,435**

(22) Filed: **May 25, 2006**

(30) **Foreign Application Priority Data**

Mar. 23, 2006 (JP) 2006-007257

(51) **LOC (8) Cl.** **23-02**

(52) **U.S. Cl.** **D23/238**

(58) **Field of Classification Search** D23/238-243,
D23/250-257; 4/675-678; 137/801
See application file for complete search history.

(56) **References Cited**

U.S. PATENT DOCUMENTS

- D314,230 S * 1/1991 Strignano D23/241
- D315,398 S * 3/1991 Strignano D23/241
- D318,320 S * 7/1991 Zerlia D23/241
- D321,553 S * 11/1991 Delephine D23/241

- D509,565 S * 9/2005 Starck D23/238
- D529,133 S * 9/2006 Massaud D23/238
- D529,134 S * 9/2006 Massaud D23/238
- D530,782 S * 10/2006 Starck D23/238
- D536,767 S * 2/2007 Massaud D23/238

* cited by examiner

Primary Examiner—Robert A. Delehanty

(74) *Attorney, Agent, or Firm*—Birch, Stewart, Kolasch & Birch, LLP

(57) **CLAIM**

The ornamental design for a faucet, as shown and described.

DESCRIPTION

FIG. 1 is a perspective view of the top, front and right side of a faucet showing my new design;

FIG. 2 is a front view thereof;

FIG. 3 is a rear view thereof;

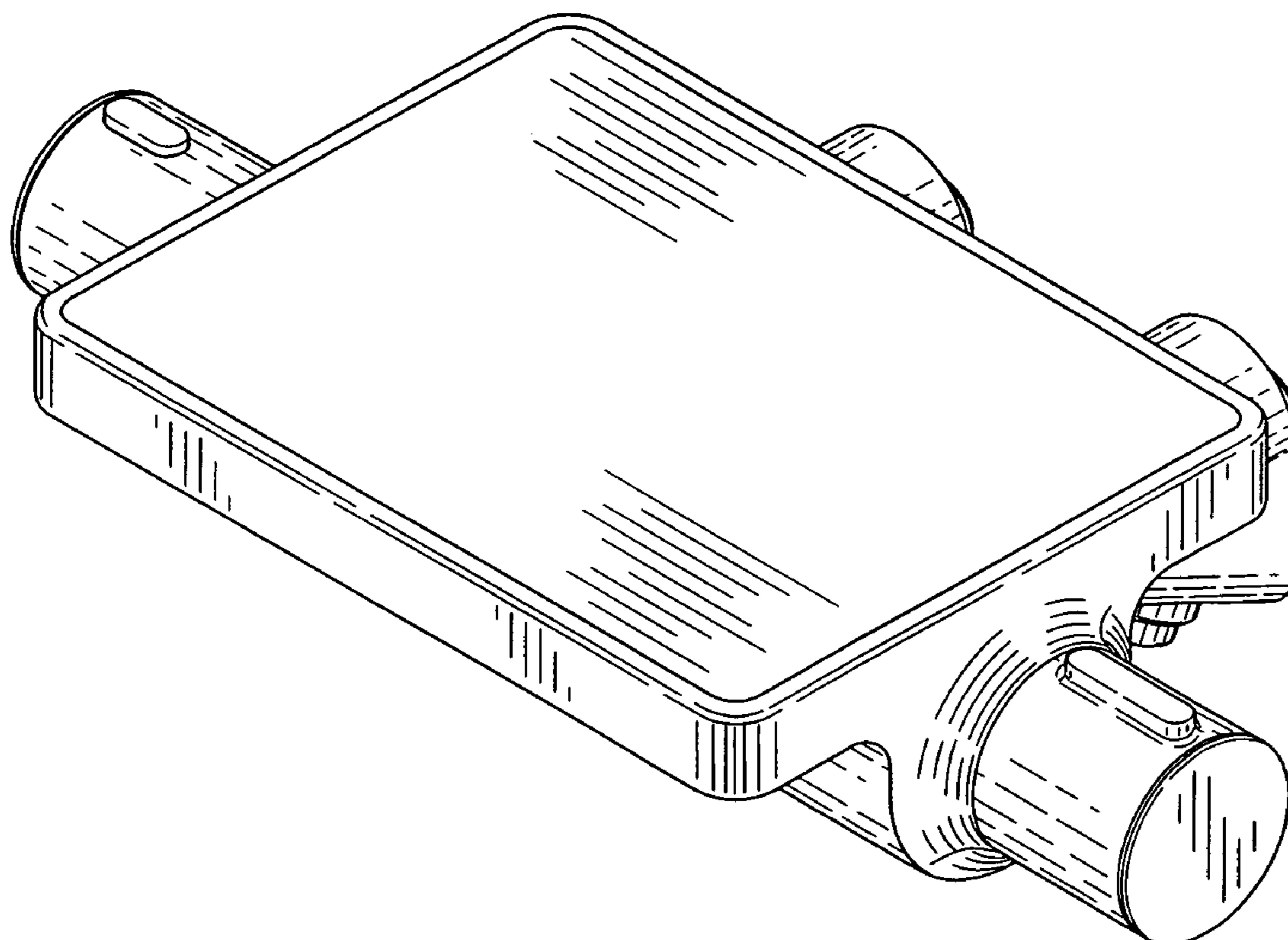
FIG. 4 is a left side view thereof;

FIG. 5 is a right side view thereof;

FIG. 6 is a top plan view thereof; and,

FIG. 7 is a bottom view thereof.

1 Claim, 4 Drawing Sheets



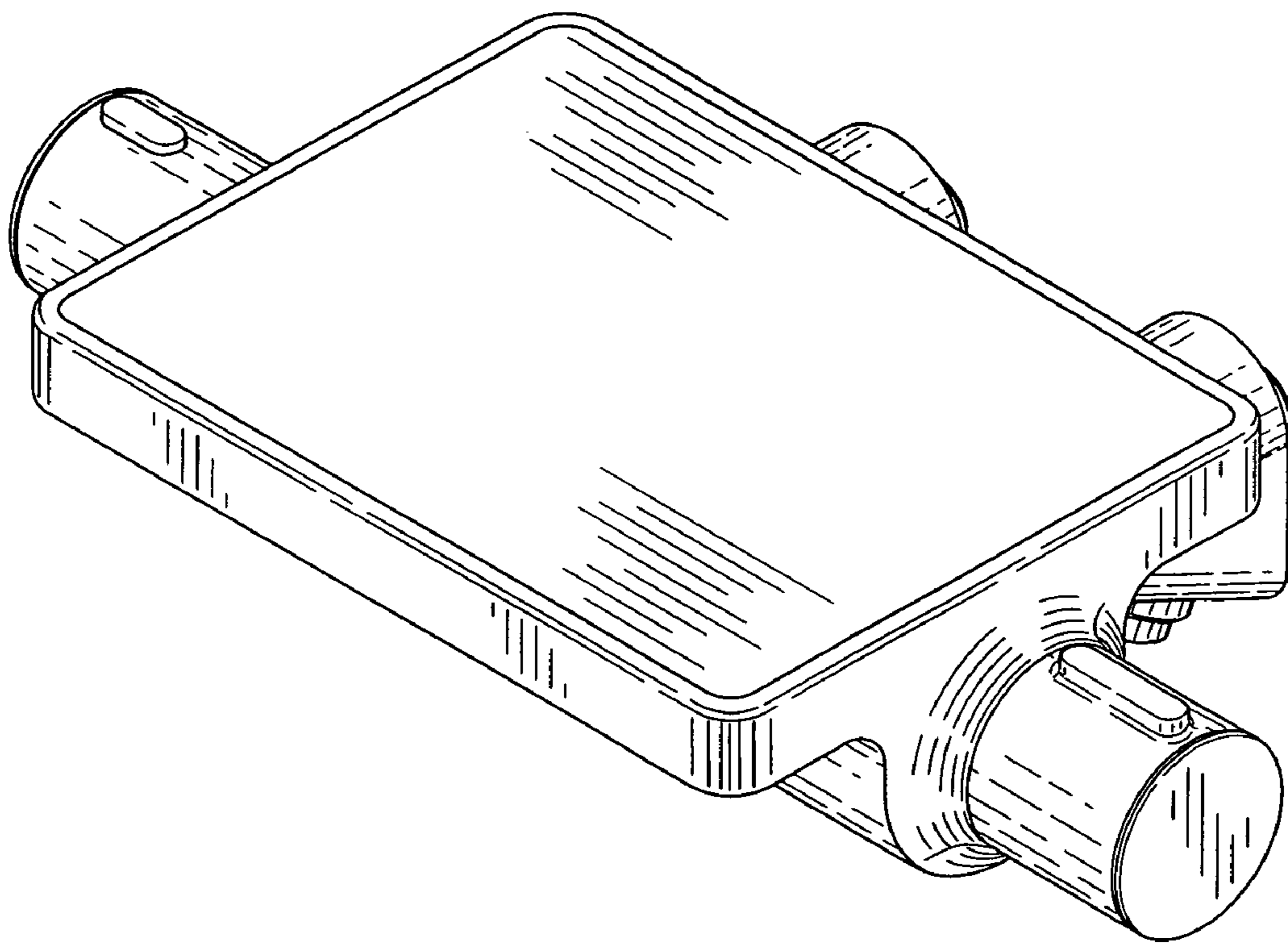


FIG. 1

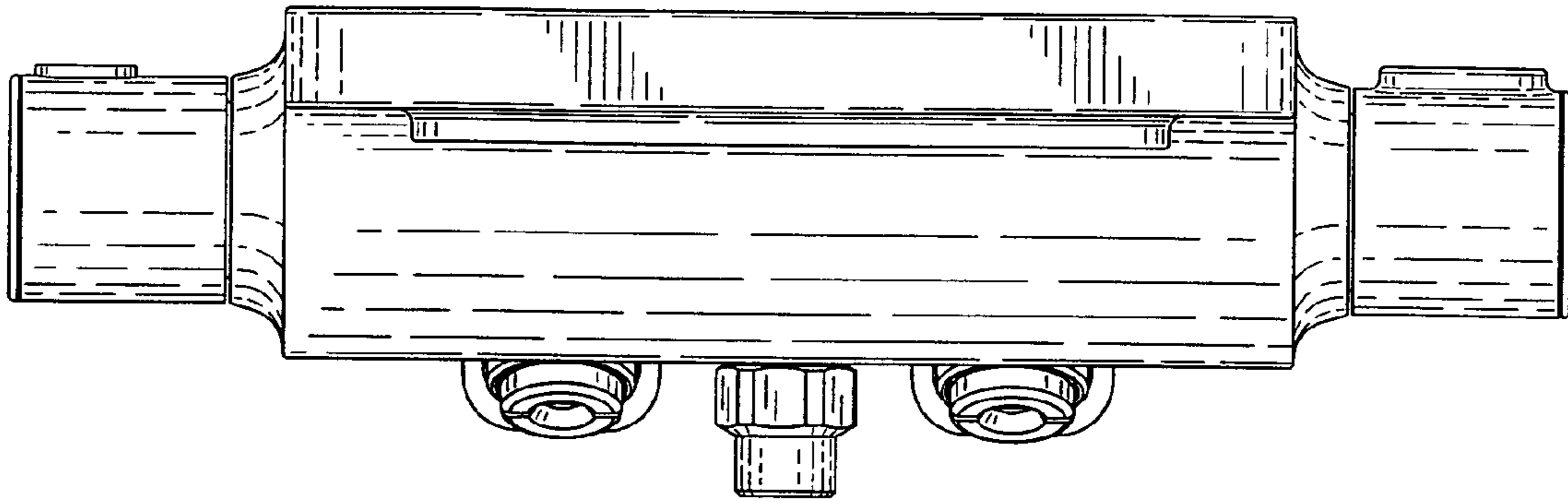


FIG. 2

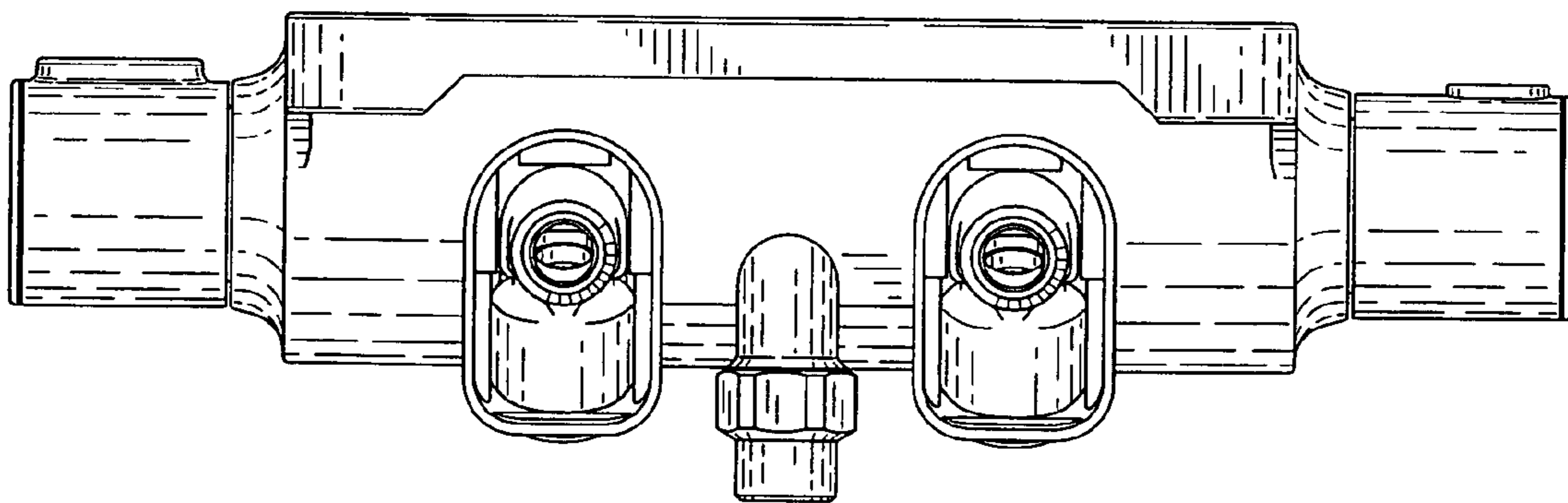


FIG. 3

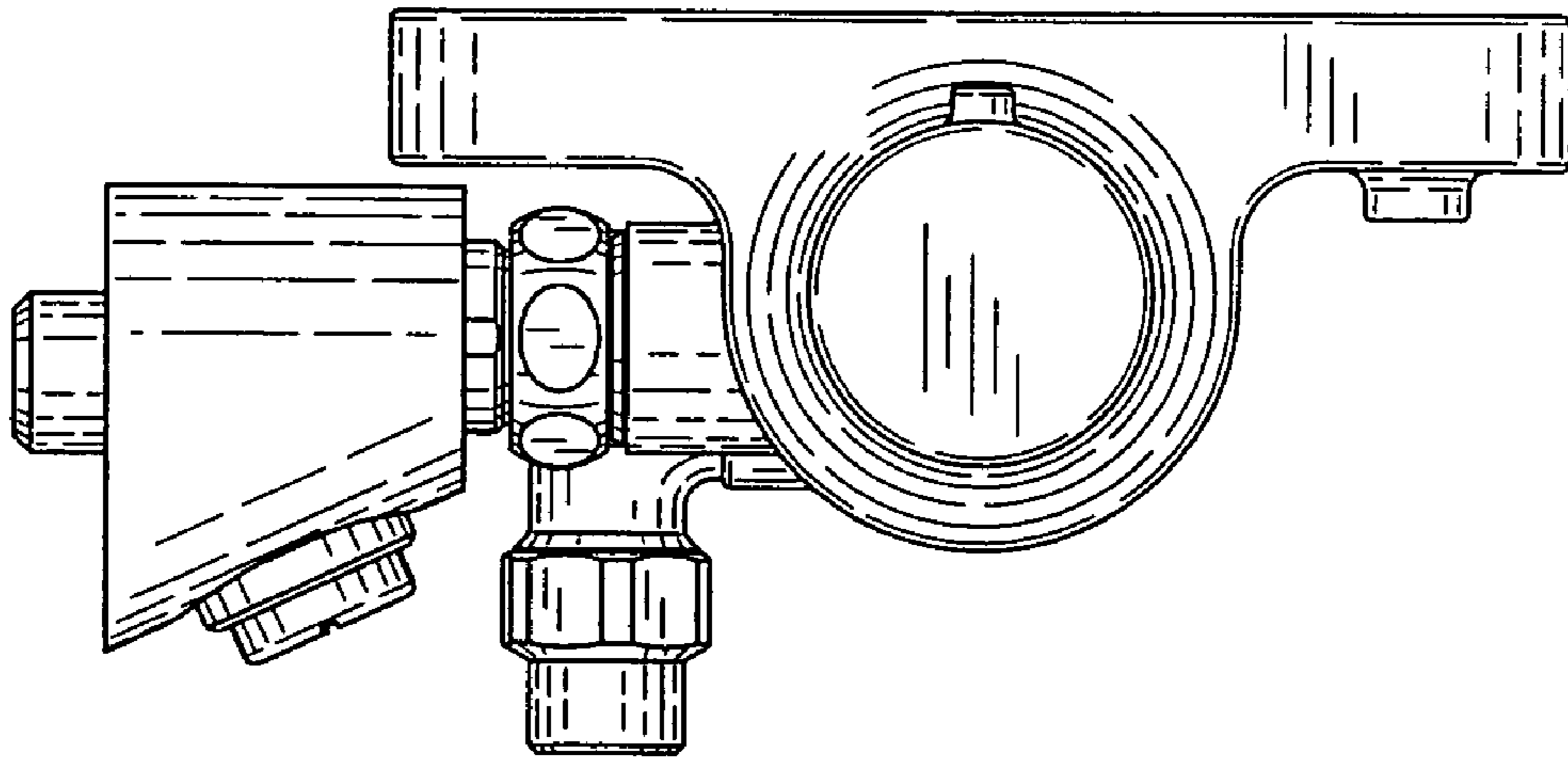


FIG. 4

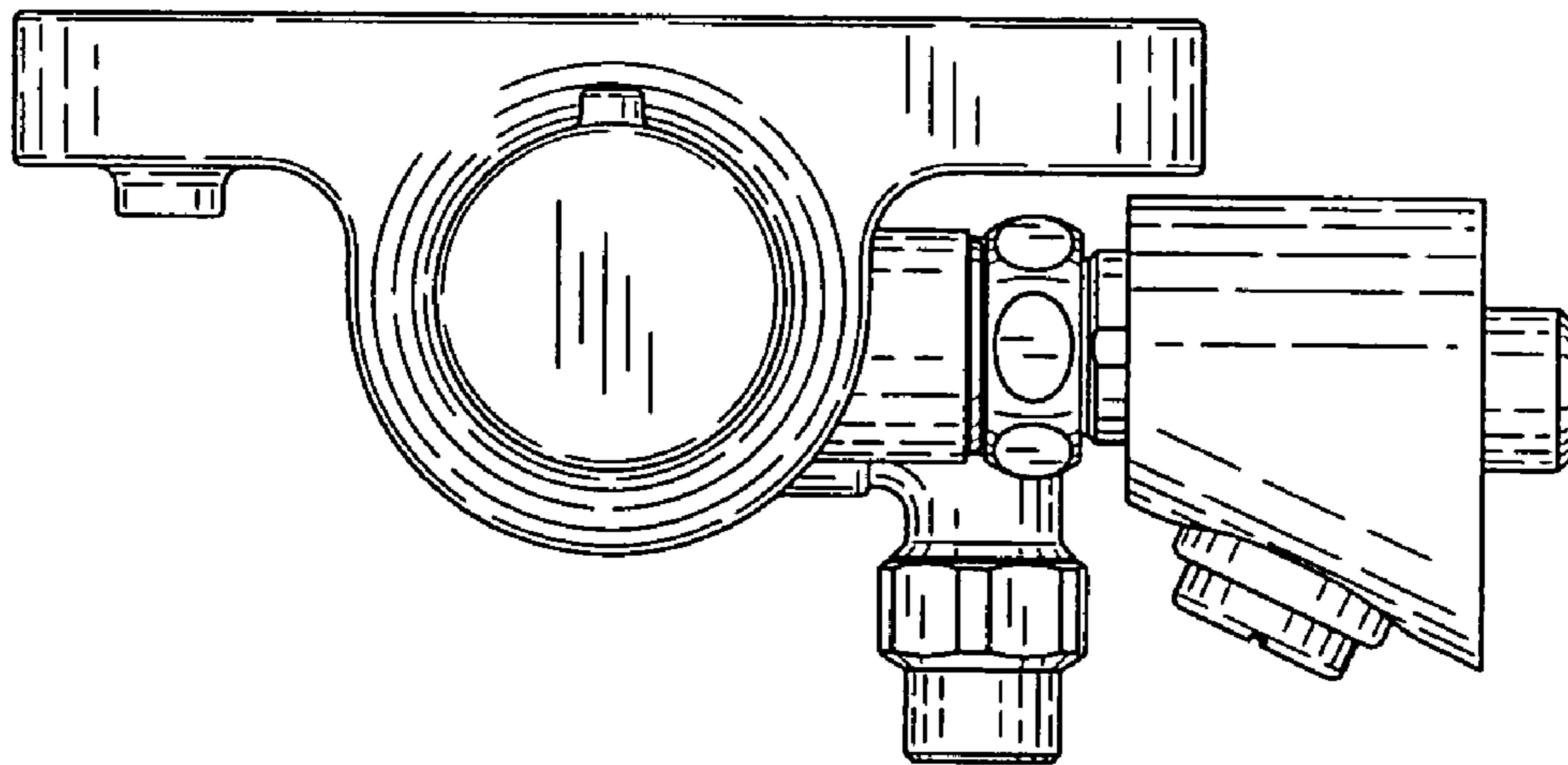


FIG. 5

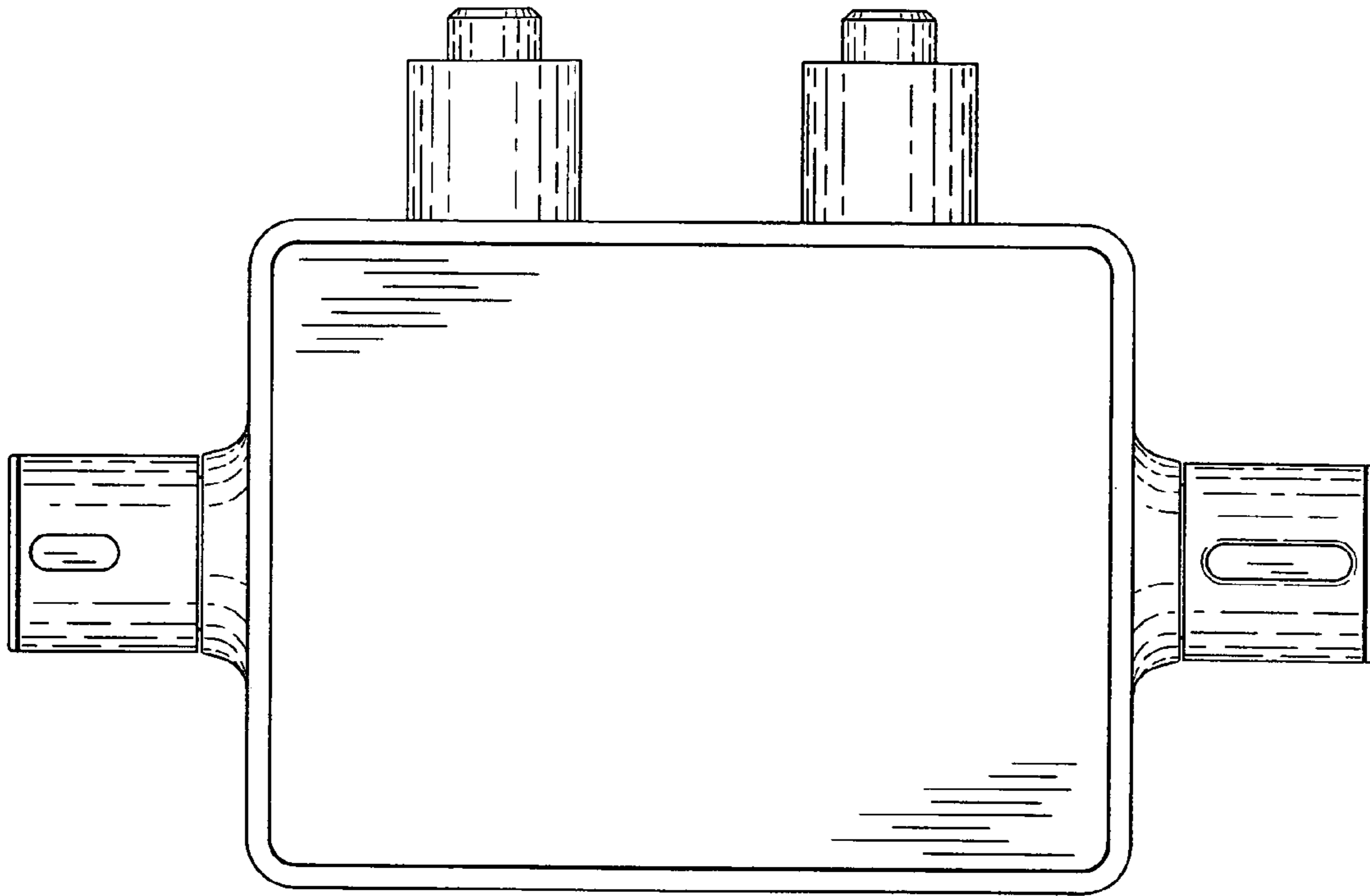


FIG. 6

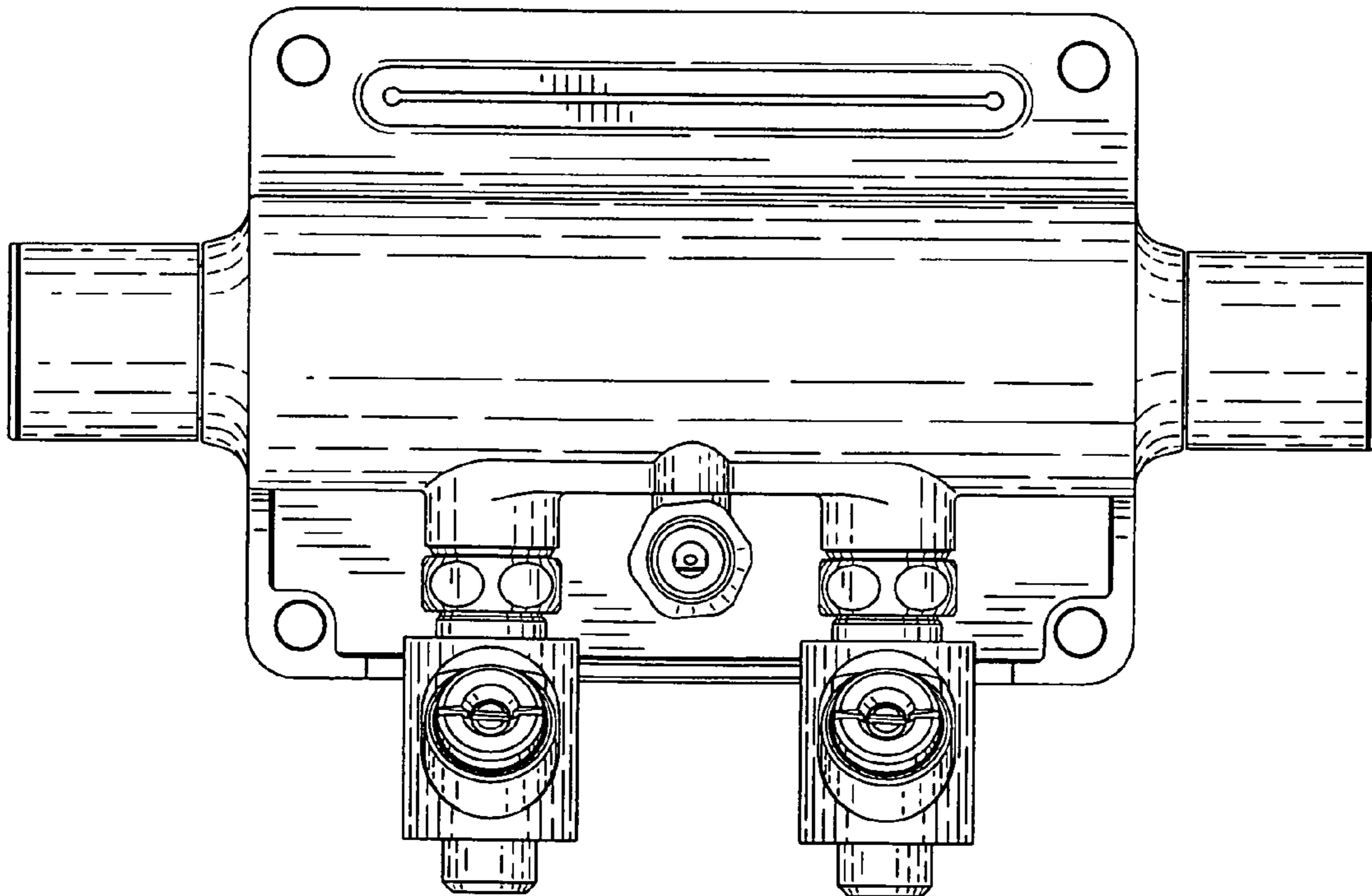


FIG. 7