



US00D568440S

(12) **United States Design Patent**  
**Pan**

(10) **Patent No.:** **US D568,440 S**

(45) **Date of Patent:** **\*\* May 6, 2008**

(54) **HAND-HELD NOZZLE**

(75) Inventor: **Chia-Chen Pan**, Changhua Hsien (TW)

(73) Assignee: **Sheng Tai Brassware Co., Ltd.**, Ho Me Chen, Changhua Hsien (TW)

(\*\*) Term: **14 Years**

(21) Appl. No.: **29/281,140**

(22) Filed: **Jun. 15, 2007**

(30) **Foreign Application Priority Data**

Dec. 28, 2006 (TW) ..... 95307279

(51) **LOC (8) Cl.** ..... **23-01**

(52) **U.S. Cl.** ..... **D23/223**

(58) **Field of Classification Search** ..... D23/213,  
D23/223, 226; 4/615; 239/525-526, 394  
See application file for complete search history.

(56) **References Cited**

**U.S. PATENT DOCUMENTS**

D288,228 S \* 2/1987 Shames et al. .... D23/226  
D471,617 S \* 3/2003 Zhao ..... D23/226

D471,956 S \* 3/2003 Zhao ..... D23/226  
D475,120 S \* 5/2003 Ouyoung ..... D23/226  
6,880,768 B2 \* 4/2005 Lau ..... 239/526  
D540,909 S \* 4/2007 Yu ..... D23/226

\* cited by examiner

*Primary Examiner*—Robin V Webster

(57) **CLAIM**

The ornamental design for a hand-held nozzle, as shown and described.

**DESCRIPTION**

FIG. 1 is a perspective view of a hand-held nozzle showing my new design;

FIG. 2 is a front view thereof;

FIG. 3 is a rear view thereof;

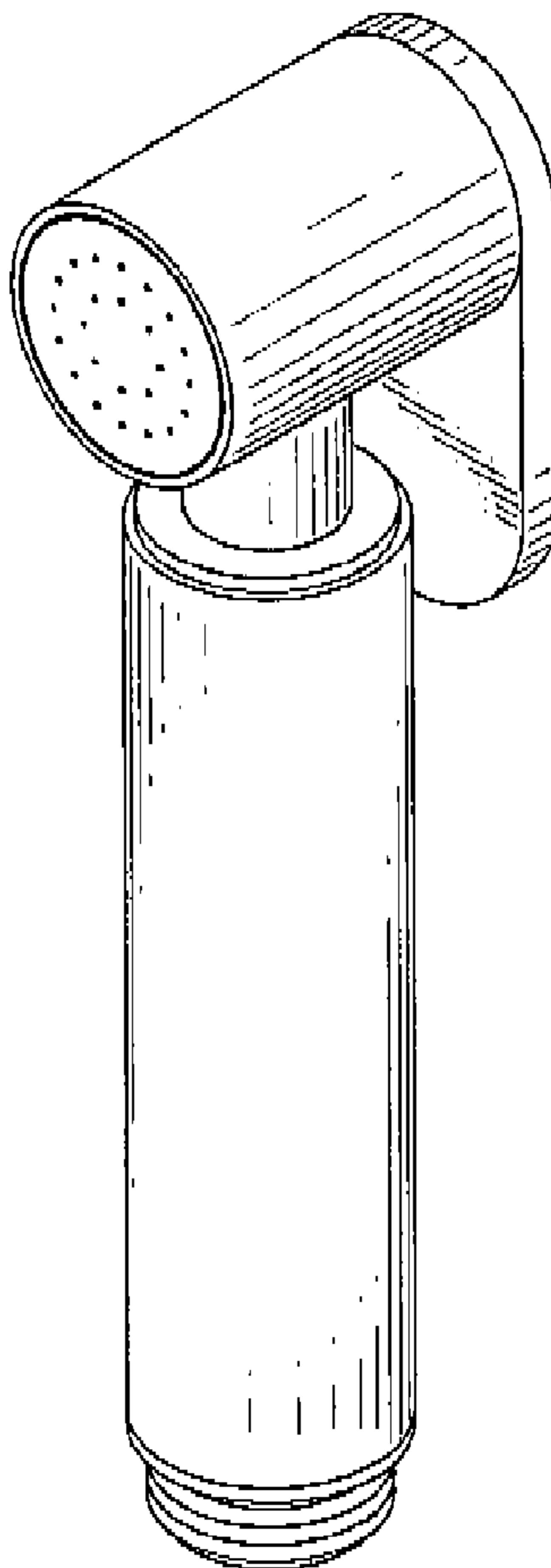
FIG. 4 is a left side view thereof;

FIG. 5 is a right side view thereof;

FIG. 6 is top view thereof; and,

FIG. 7 is a bottom view thereof.

**1 Claim, 4 Drawing Sheets**



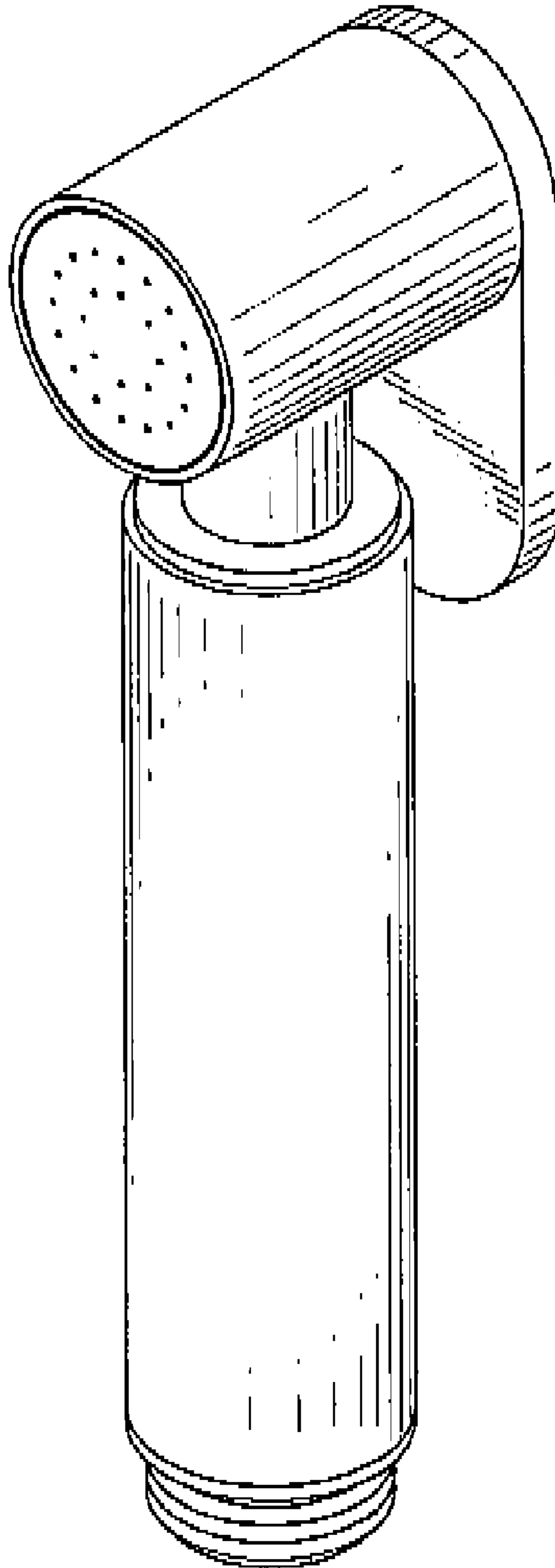


FIG. 1

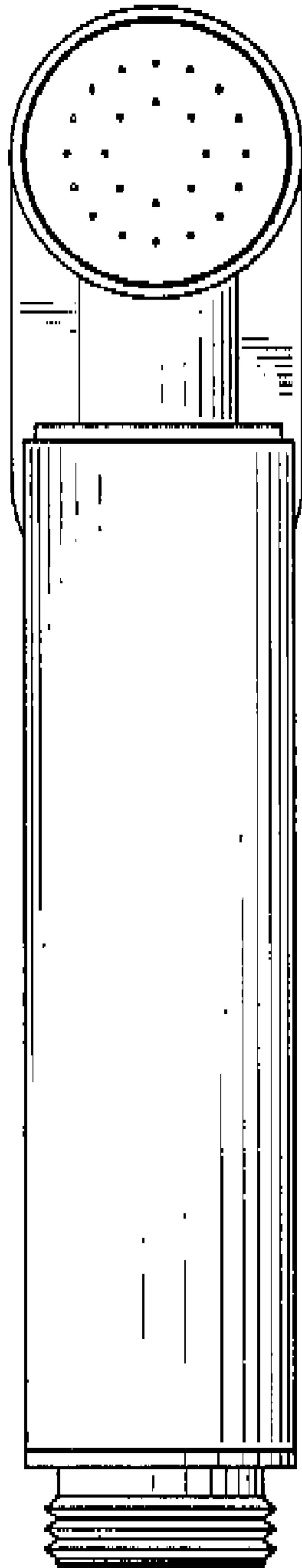


FIG. 2

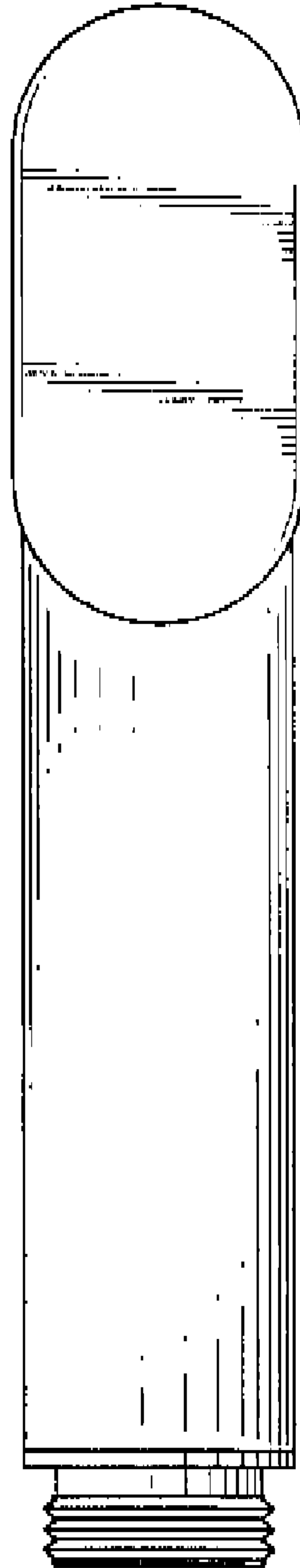


FIG. 3

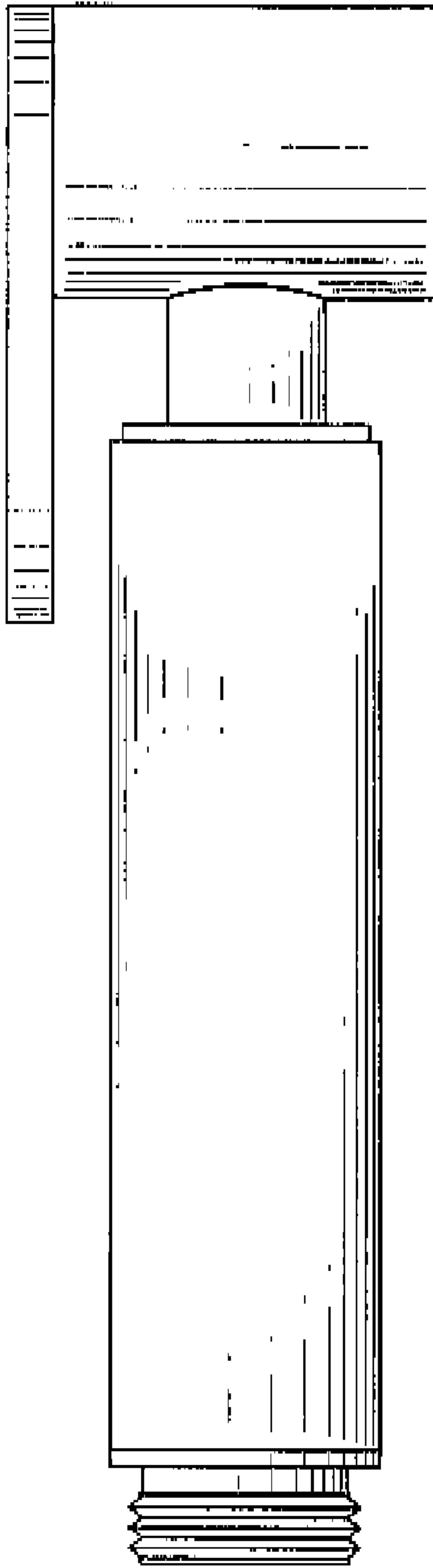


FIG. 4

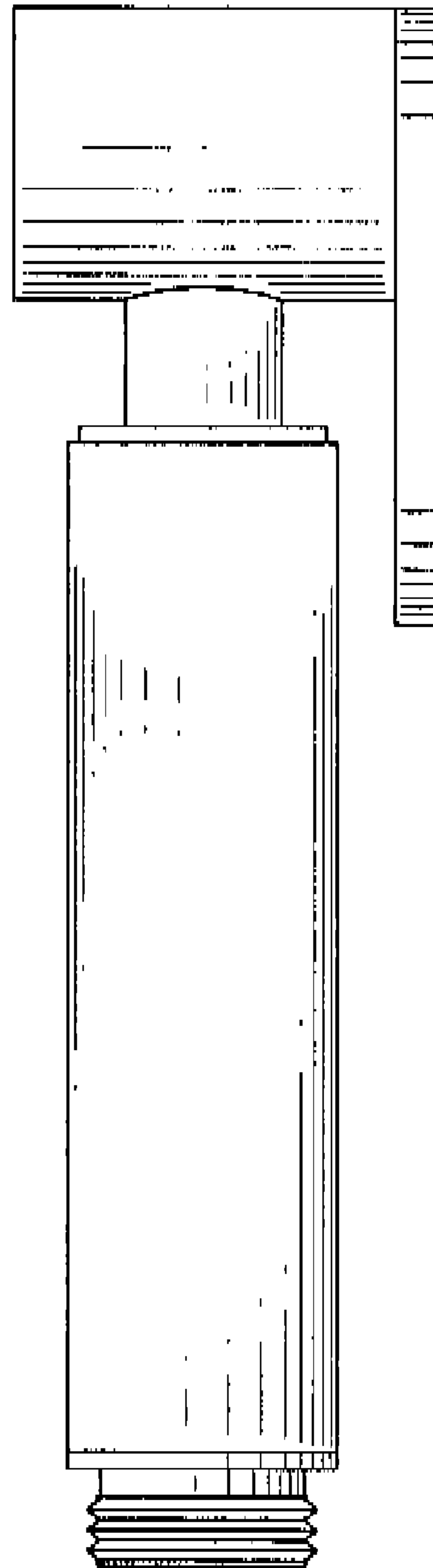


FIG. 5

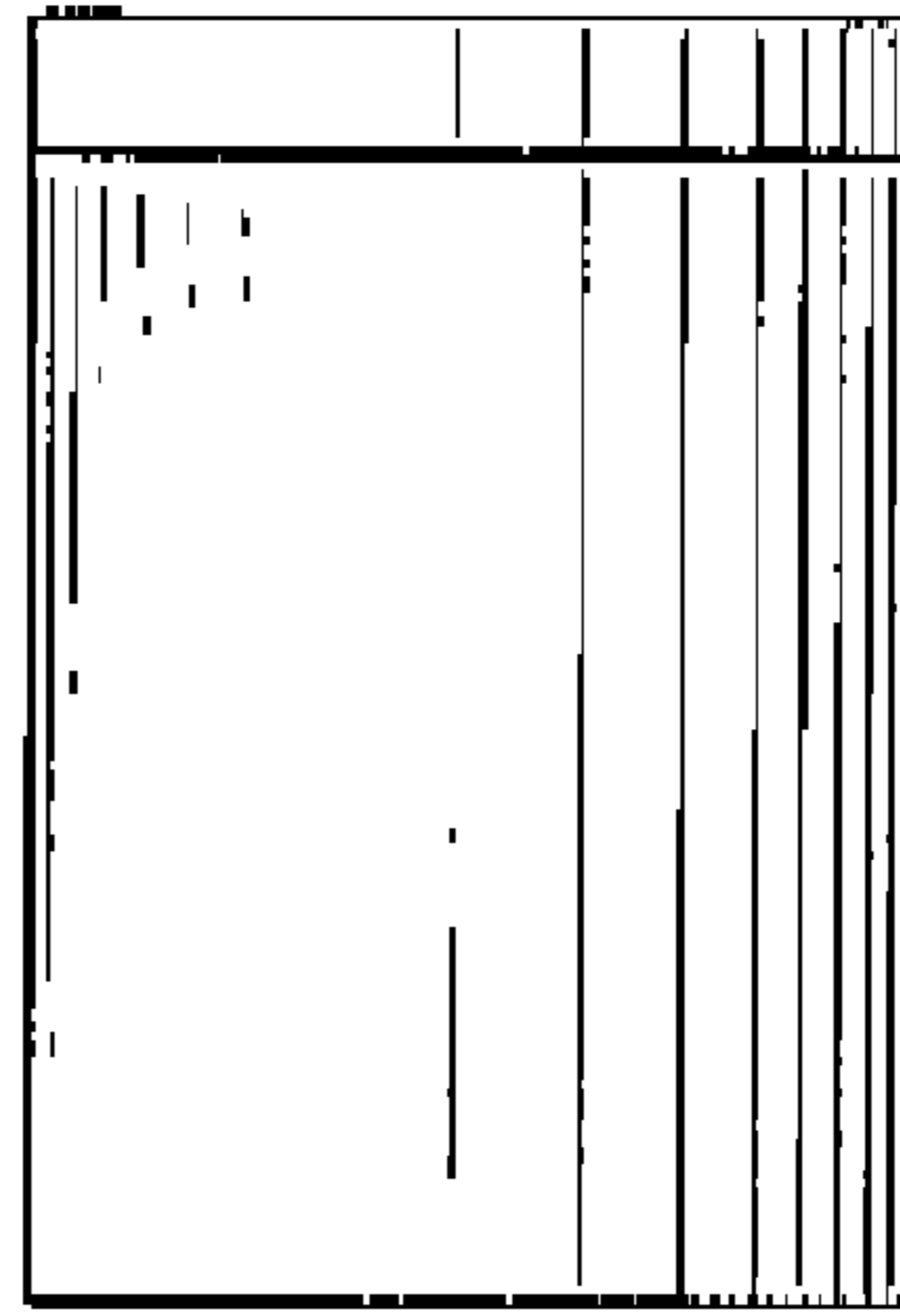


FIG. 6

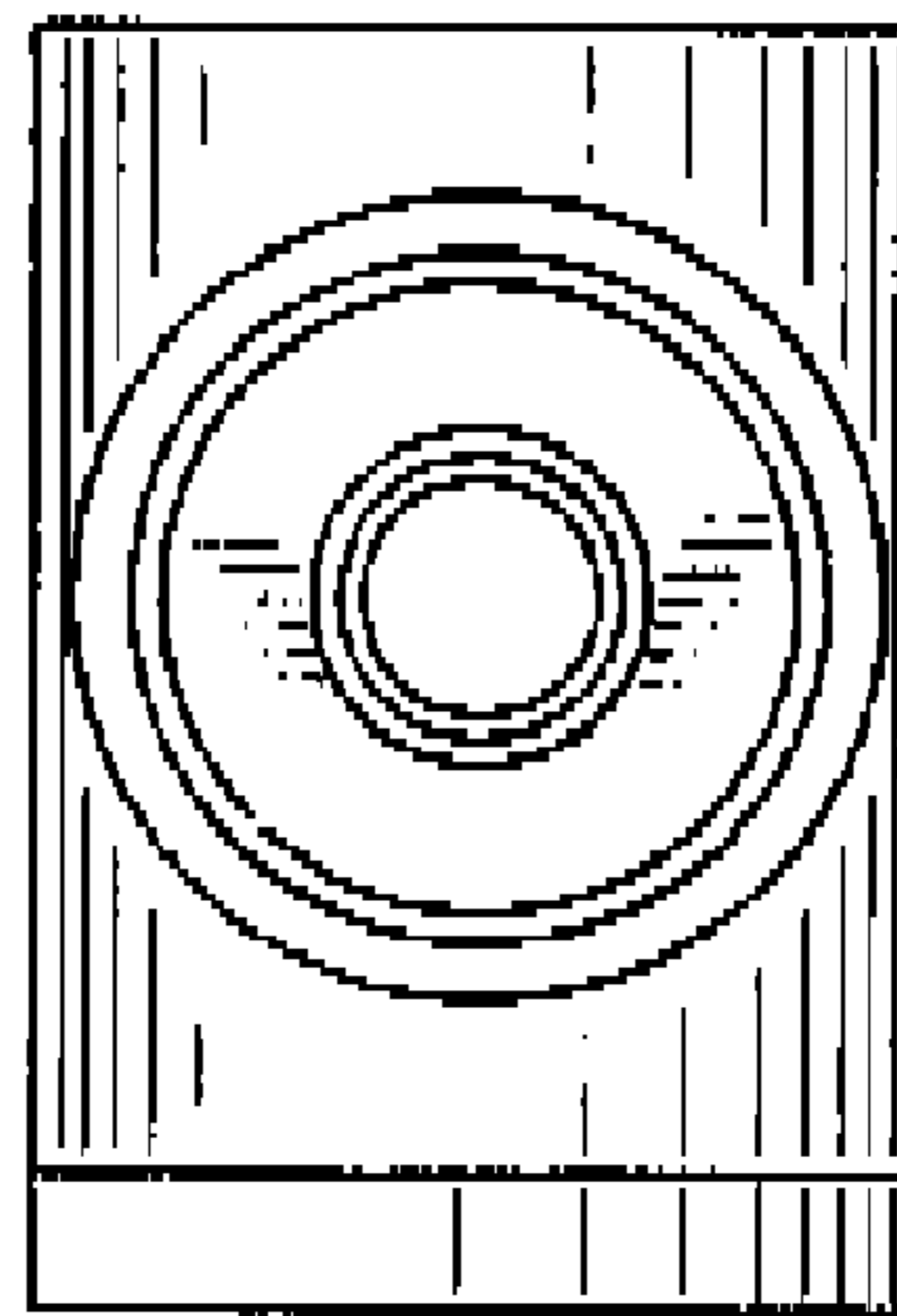


FIG. 7