



US00D568439S

(12) **United States Design Patent**
Fulkerson et al.

(10) **Patent No.:** **US D568,439 S**

(45) **Date of Patent:** **** May 6, 2008**

(54) **NOZZLE**

D532,864 S * 11/2006 Mather et al. D23/213
2005/0126476 A1 6/2005 Shutic et al.

(75) Inventors: **Terrence M. Fulkerson**, Brunswick Hills, OH (US); **Michael R Sanner**, Amherst, OH (US); **Brian D Mather**, North Olmsted, OH (US); **Joseph G. Schroeder**, North Royalton, OH (US)

* cited by examiner

Primary Examiner—Robin V Webster
(74) *Attorney, Agent, or Firm*—Calfee, Halter & Griswold LLP

(73) Assignee: **Nordson Corporation**, Westlake, OH (US)

(57) **CLAIM**

(**) Term: **14 Years**

The ornamental design for a nozzle, as shown and described.

(21) Appl. No.: **29/286,518**

DESCRIPTION

(22) Filed: **May 9, 2007**

FIG. 1 is a perspective view of a nozzle of the new design; FIG. 2 is a front elevational view of the nozzle of FIG. 1; FIG. 3 is a left side elevational view of the nozzle of FIG. 1; FIG. 4 is a right side elevational view of the nozzle of FIG. 1; FIG. 5 is a top plan view of the nozzle of FIG. 1; and, FIG. 6 is a bottom plan view of the nozzle of FIG. 1.

(51) **LOC (8) Cl.** **23-01**

(52) **U.S. Cl.** **D23/213**

(58) **Field of Classification Search** D23/213;
118/308; 239/DIG. 14, 601

See application file for complete search history.

The portions of the Figures shown in broken lines are not part of the claimed design and are for illustration only.

(56) **References Cited**

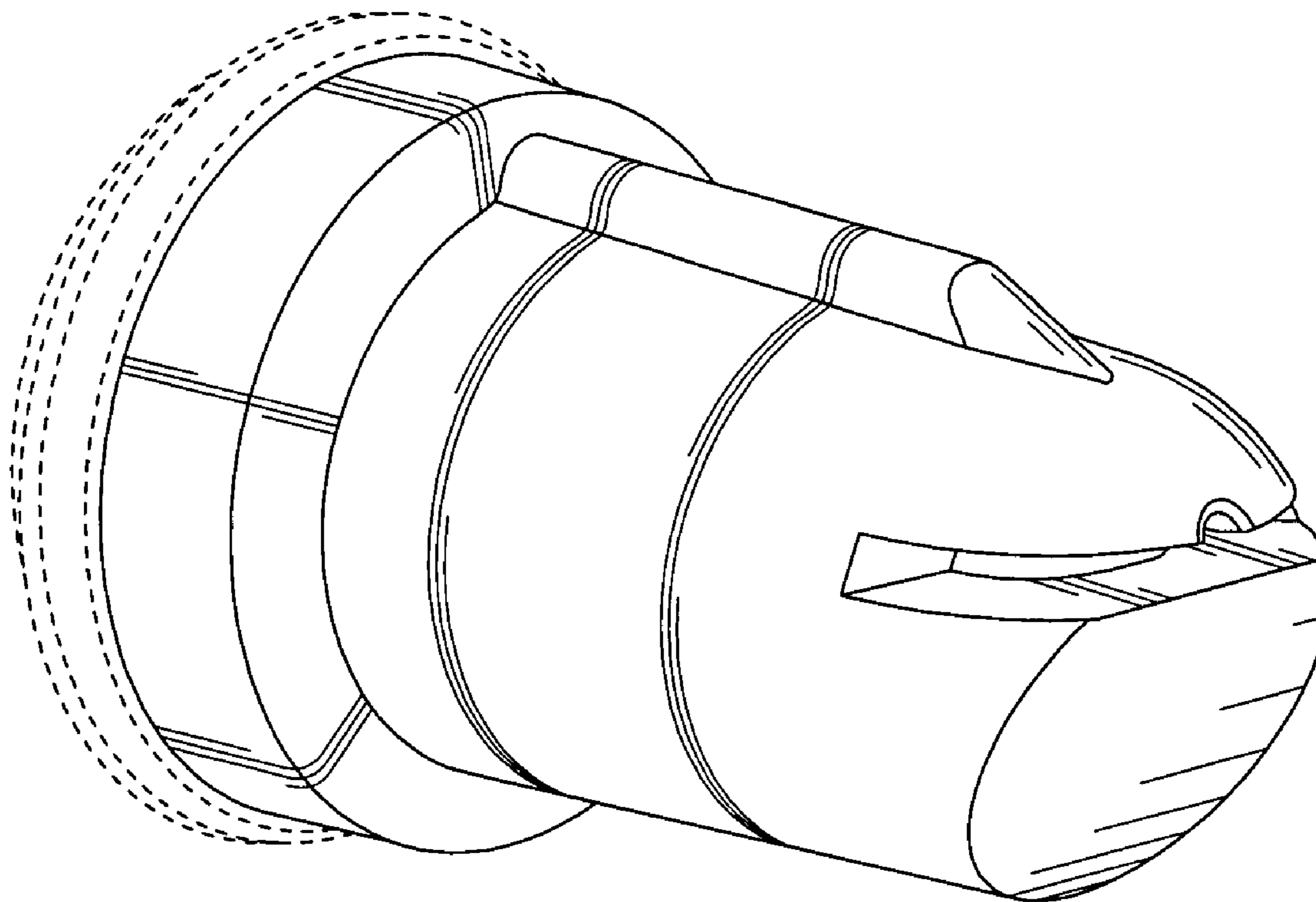
U.S. PATENT DOCUMENTS

5,368,237 A * 11/1994 Fulkerson 239/706

D499,463 S * 12/2004 Mather D23/213

D532,863 S * 11/2006 Mather et al. D23/213

1 Claim, 3 Drawing Sheets



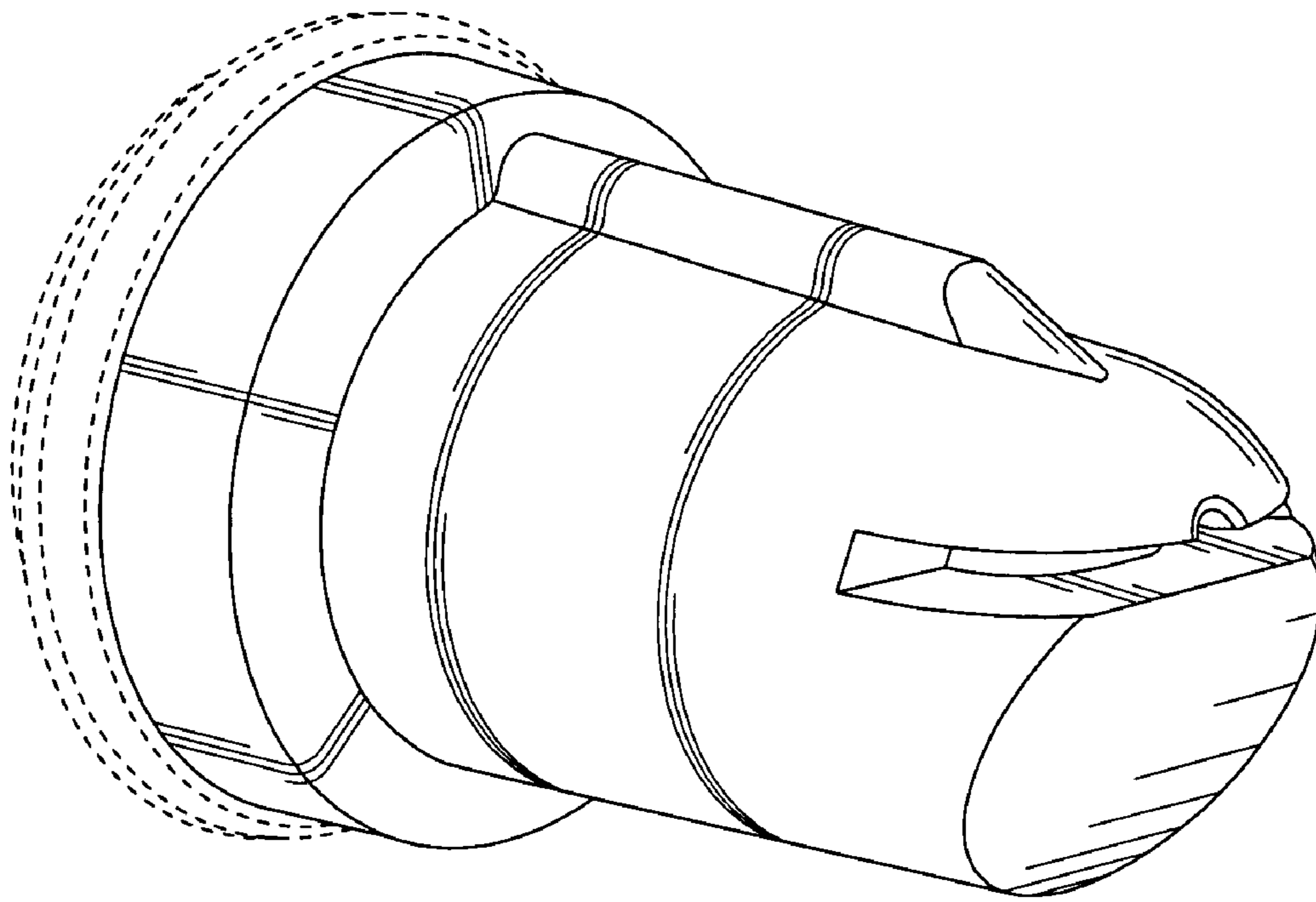


FIG. 1

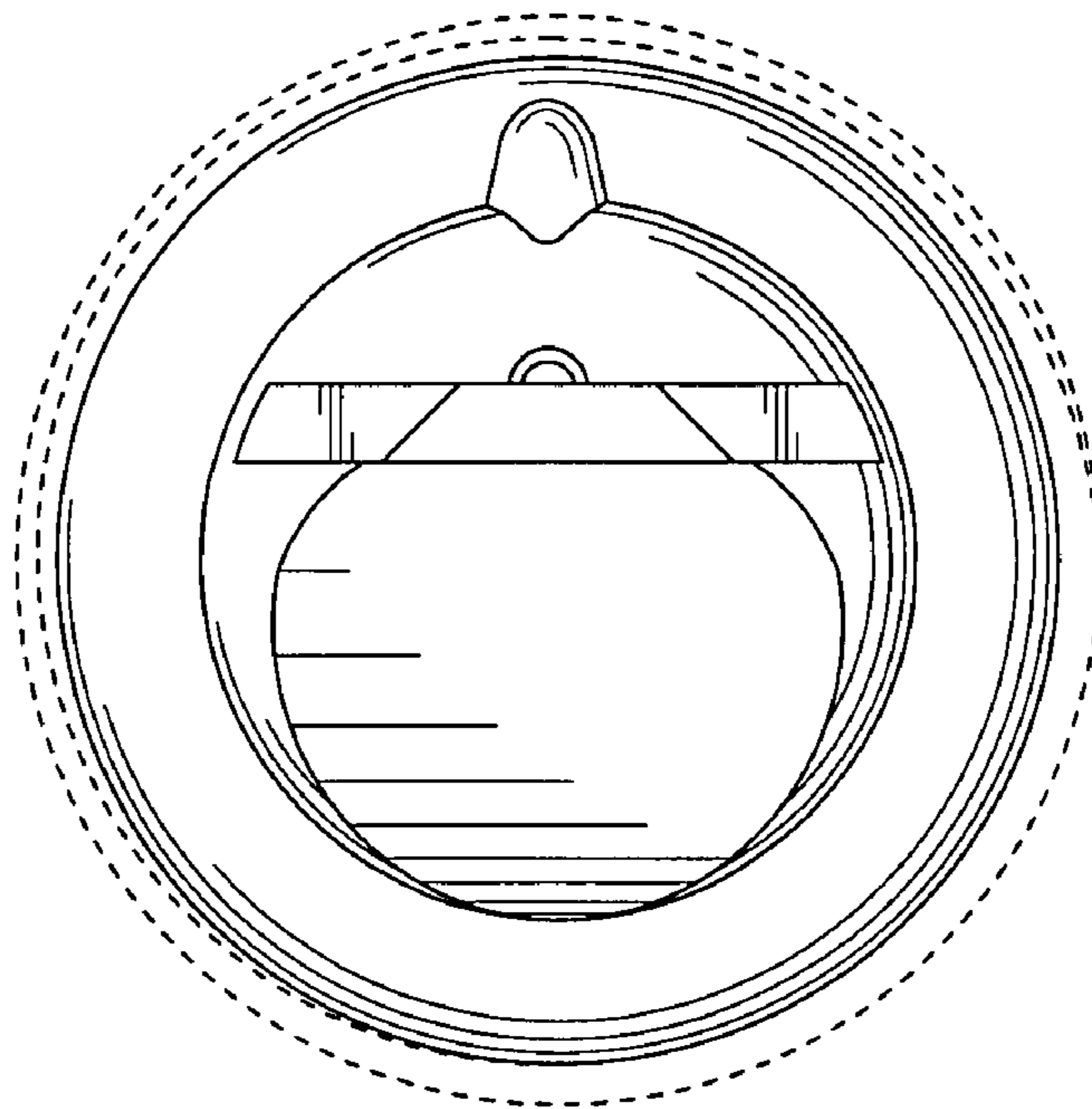


FIG. 2

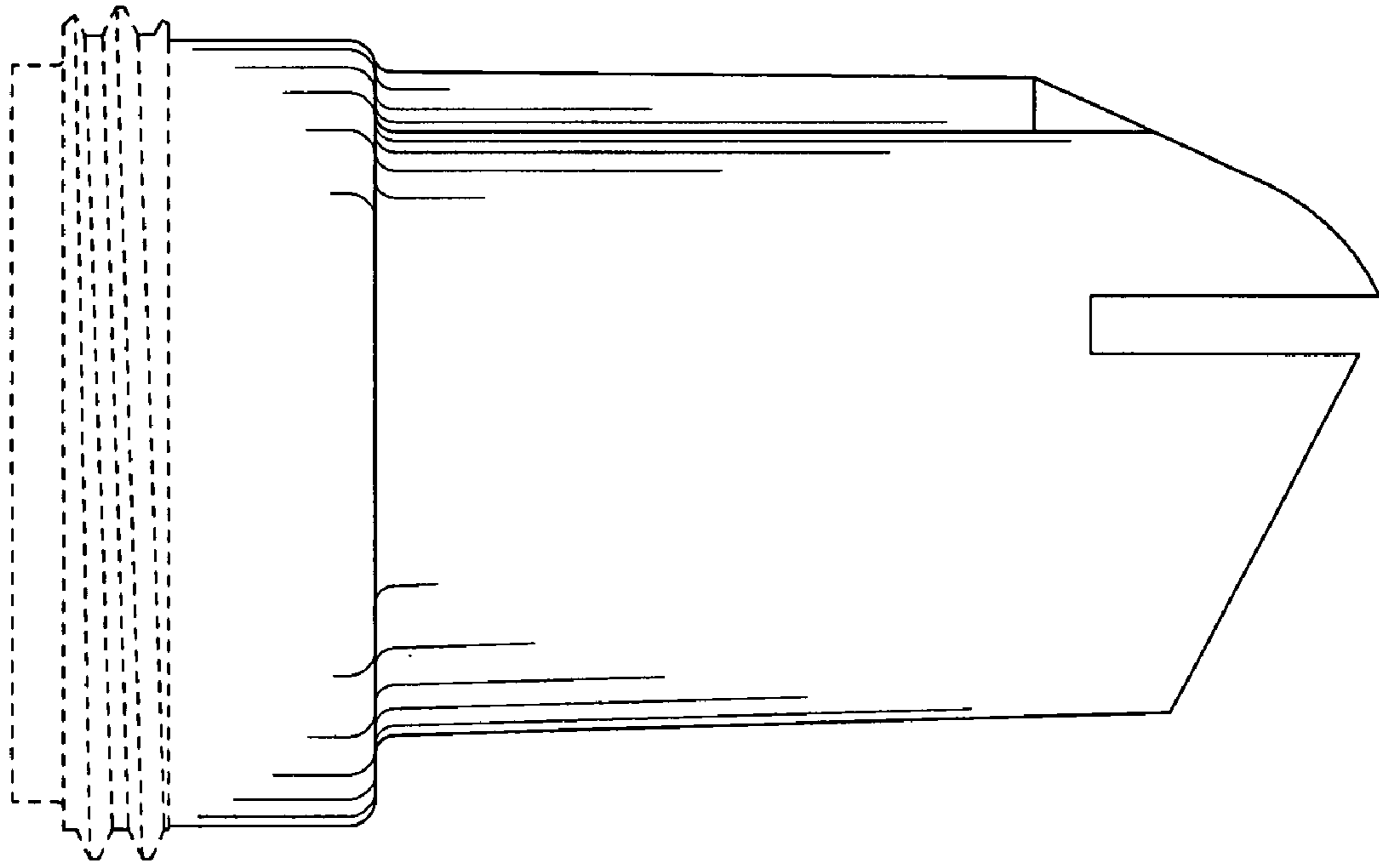


FIG. 3

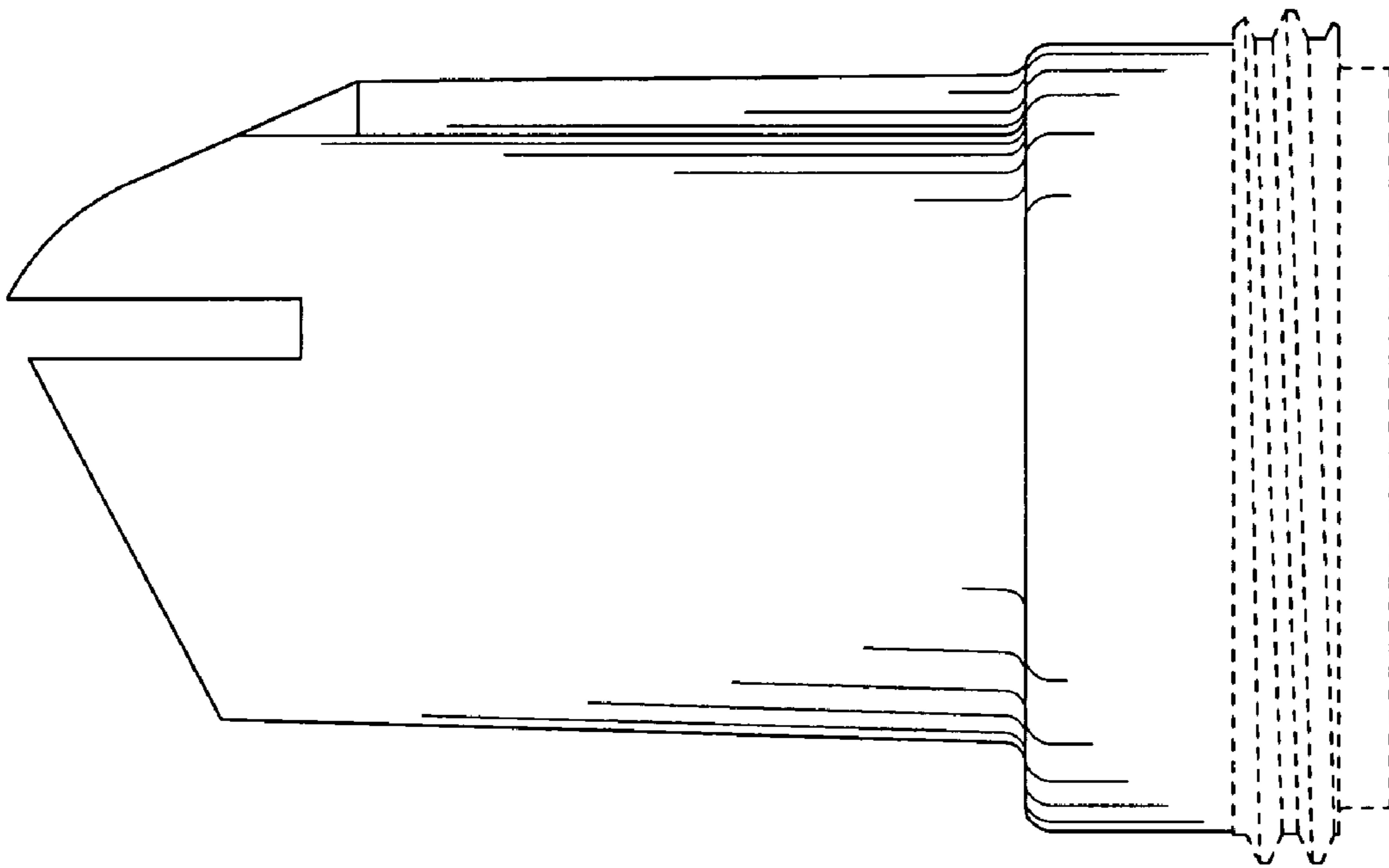


FIG. 4

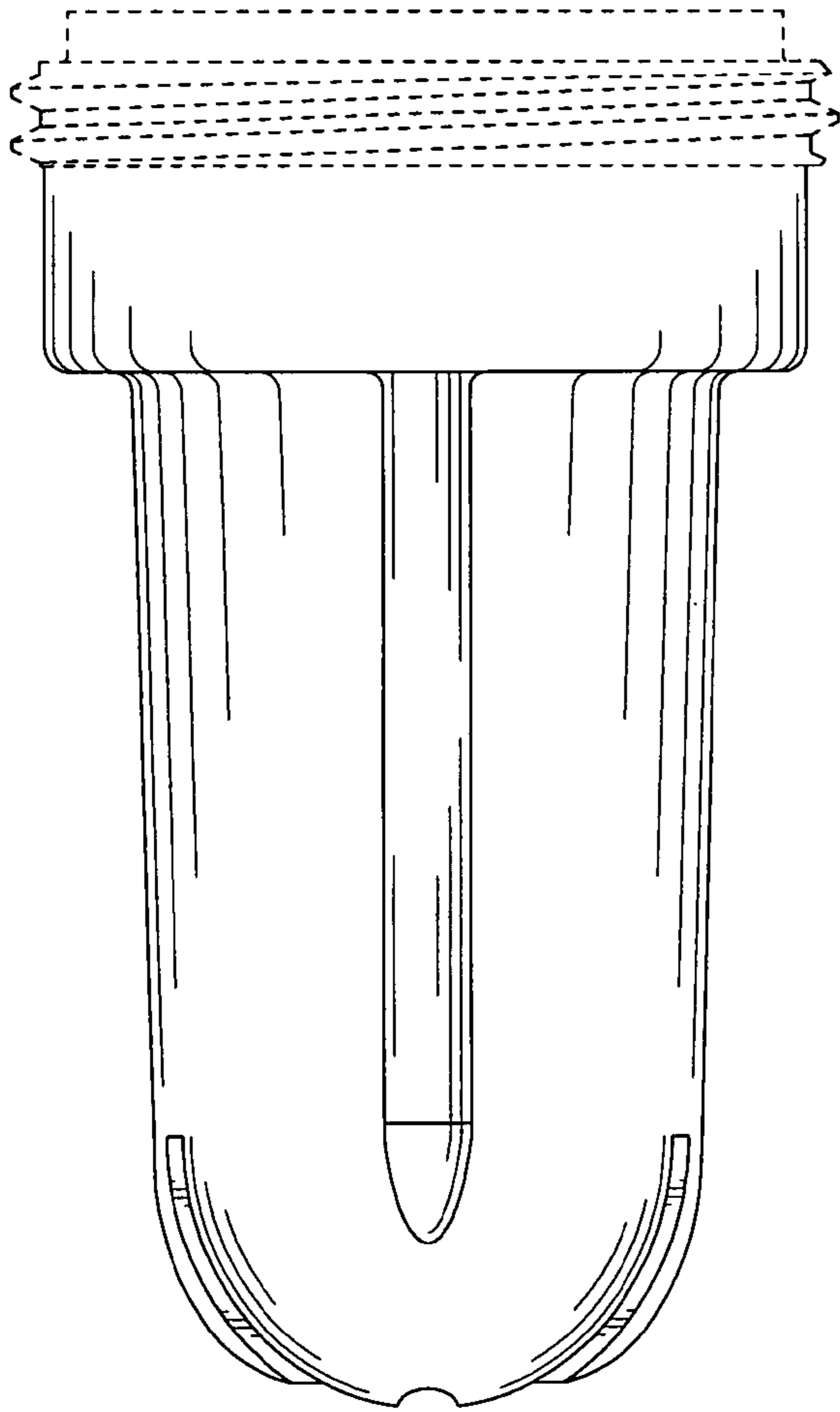


FIG. 5

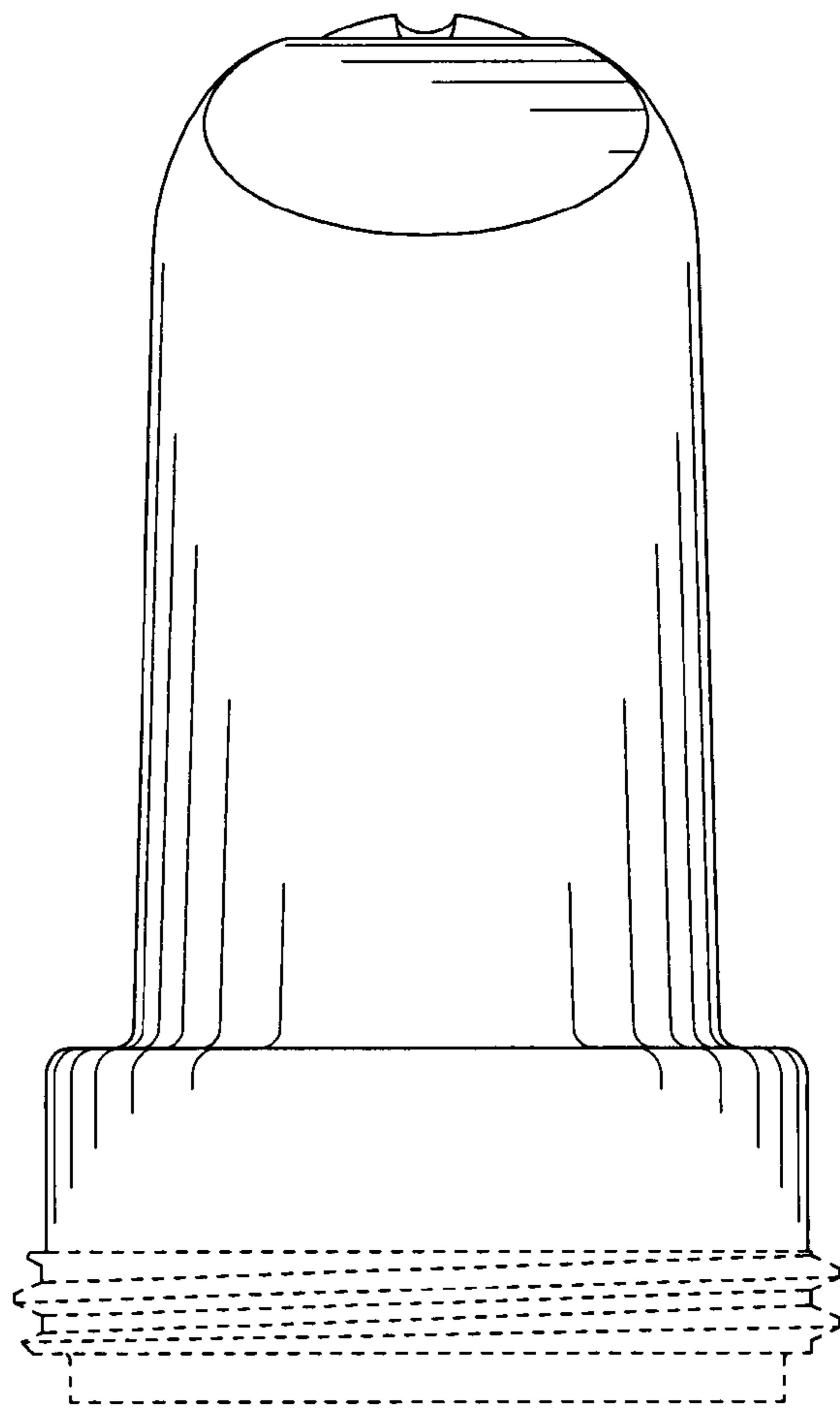


FIG. 6