



US00D568438S

(12) **United States Design Patent**  
**Berducat et al.**

(10) **Patent No.:** **US D568,438 S**

(45) **Date of Patent:** **\*\* May 6, 2008**

(54) **ULTRAPURE WATER QUALITY—POINT OF DELIVERY DISPENSER**

(75) Inventors: **Christian Berducat**, Saint Mande (FR); **Yves Gagnet**, Montigny le Bretonneux (FR); **Pascal Delahaie**, La Celle Saint Cloud (FR); **Francois Quirin**, Meudon (FR)

(73) Assignee: **Millipore Corporation**, Billerica, MA (US)

(\*\*) Term: **14 Years**

(21) Appl. No.: **29/273,644**

(22) Filed: **Mar. 9, 2007**

(51) **LOC (8) Cl.** ..... **23-01**

(52) **U.S. Cl.** ..... **D23/207**

(58) **Field of Classification Search** ..... D23/207,  
D23/209; 210/418, 416.3, 249, 449  
See application file for complete search history.

(56) **References Cited**

U.S. PATENT DOCUMENTS

814,261	A *	3/1906	Barrie	.....	210/249
2,332,982	A *	10/1943	Blair	.....	210/411
3,439,809	A *	4/1969	McPherran	.....	210/249
5,487,833	A *	1/1996	Fife et al.	.....	210/232
7,135,106	B2 *	11/2006	Marquis et al.	.....	210/97

\* cited by examiner

*Primary Examiner*—Robin V Webster

(74) *Attorney, Agent, or Firm*—Niels & Lemack

(57) **CLAIM**

The ornamental design for an ultrapure water quality point of delivery dispenser, as shown.

**DESCRIPTION**

The dispenser, which can attach to a support, is a remote, stand-alone dispenser for use with a water purification system.

FIG. 1 is a first perspective view of the ultrapure water quality point of delivery dispenser;

FIG. 2 is a second perspective view of the ultrapure water quality point of delivery dispenser;

FIG. 3 is a front view of the ultrapure water quality point of delivery dispenser;

FIG. 4 is a rear view of the ultrapure water quality point of delivery dispenser;

FIG. 5 is a first side view of the ultrapure water quality point of delivery dispenser;

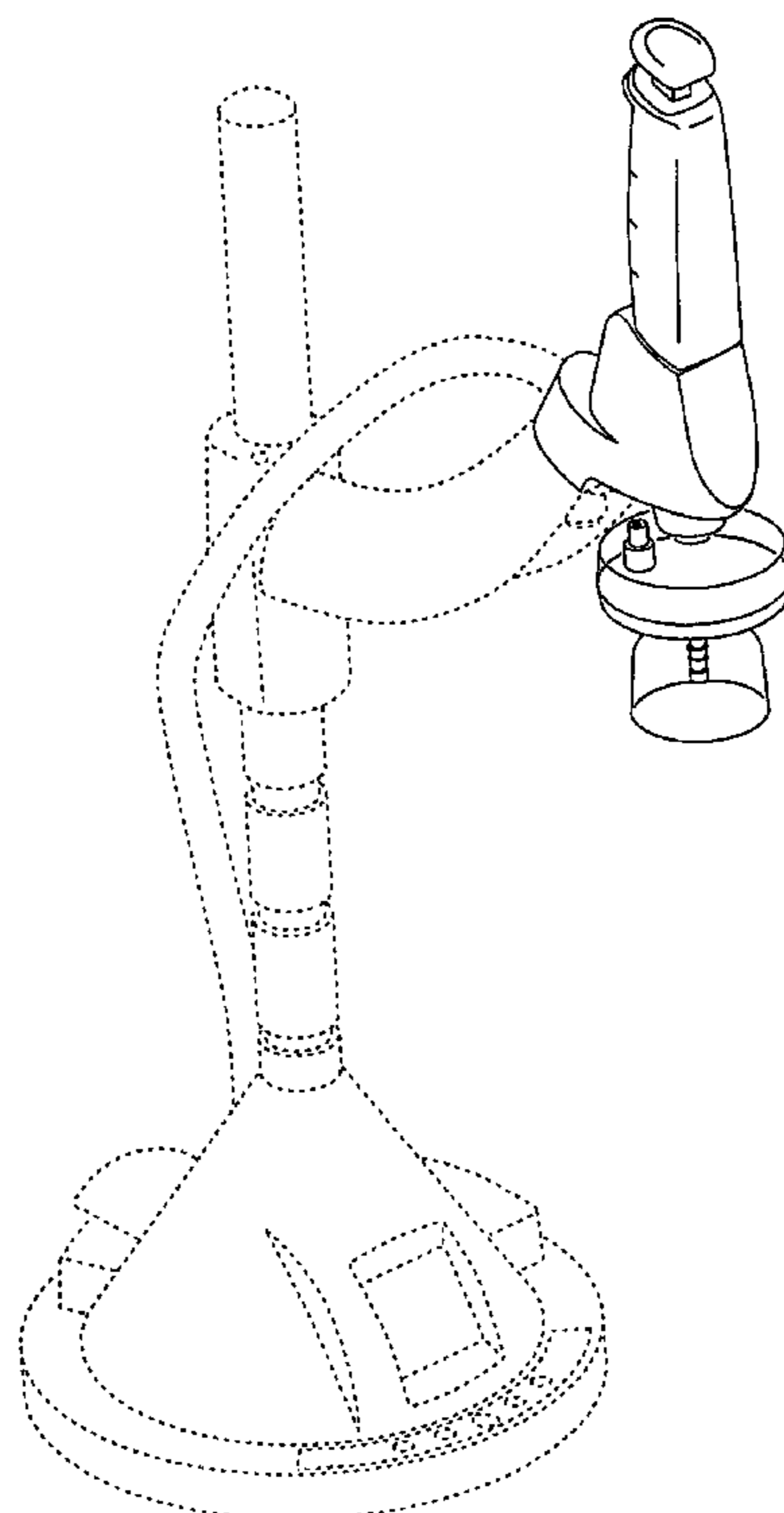
FIG. 6 is a second side view of the ultrapure water quality point of delivery dispenser;

FIG. 7 is a top view of the ultrapure water quality point of delivery dispenser; and,

FIG. 8 is a bottom view of the ultrapure water quality point of delivery dispenser.

The broken line showing is included for the purpose of illustrating and forms no part of the claimed design.

**1 Claim, 8 Drawing Sheets**



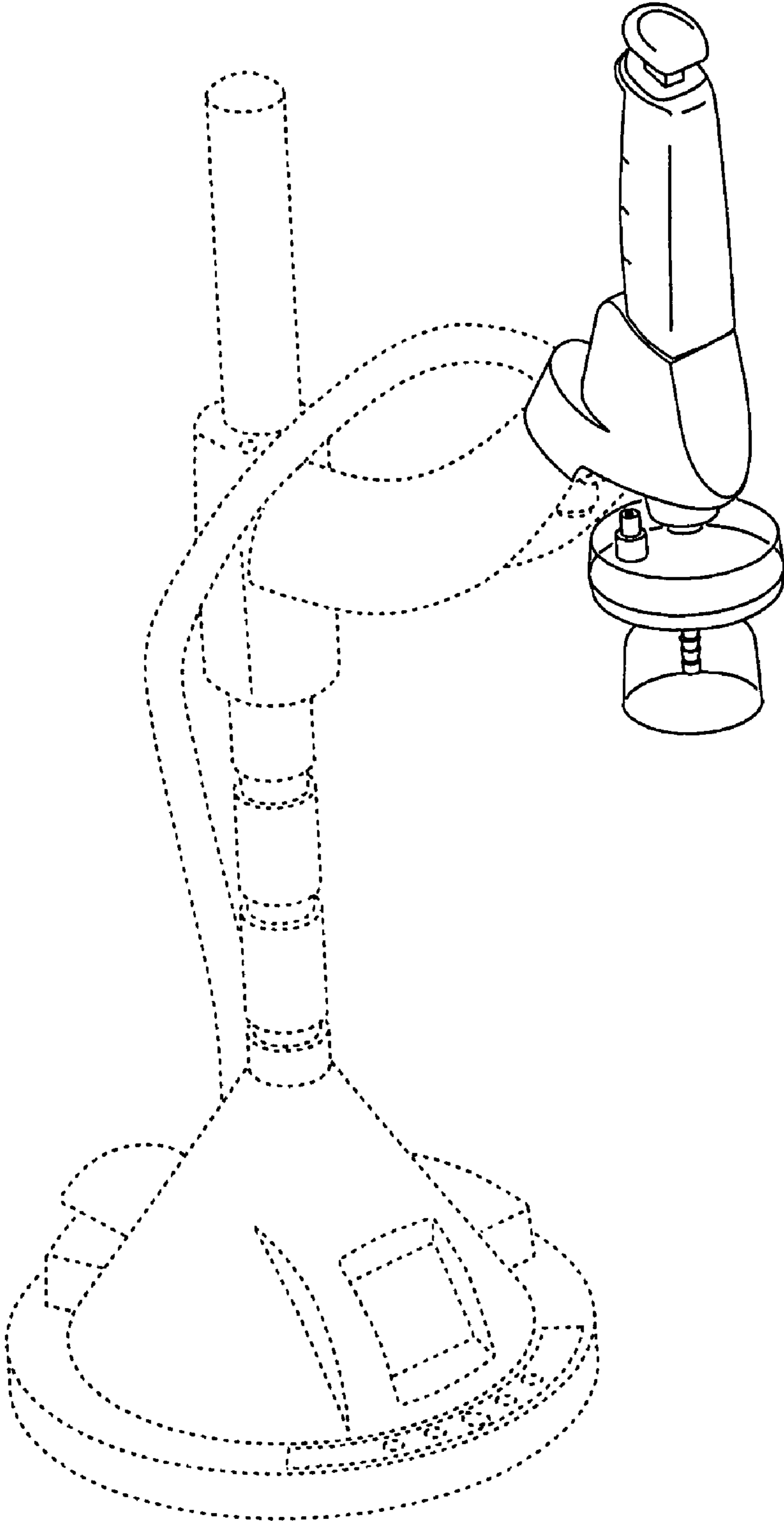


Figure 1

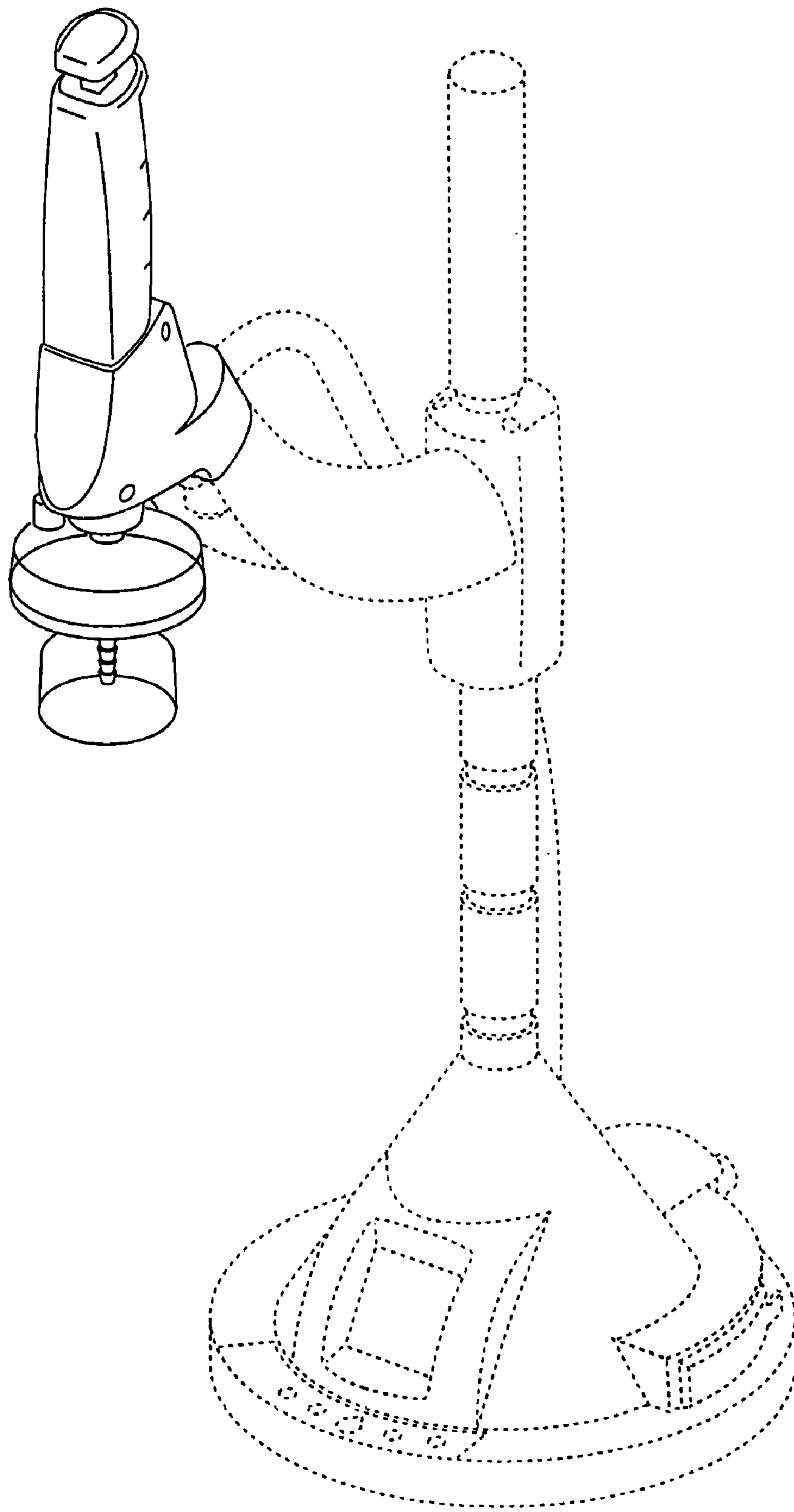


Figure 2

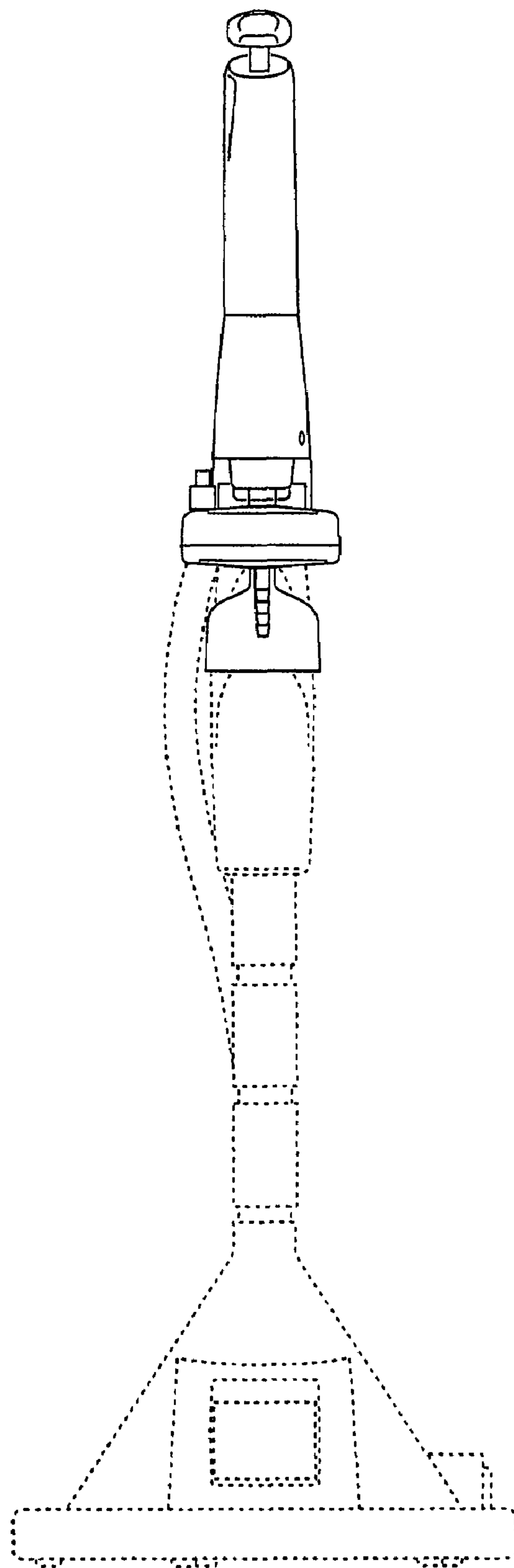


Figure 3

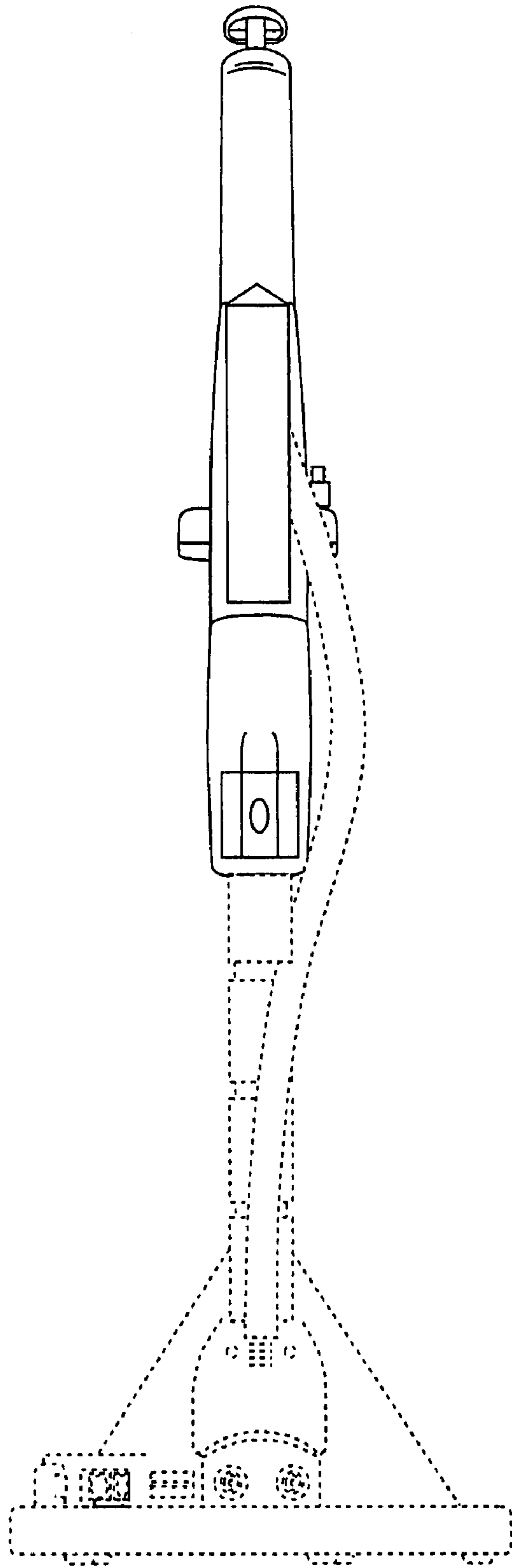


Figure 4

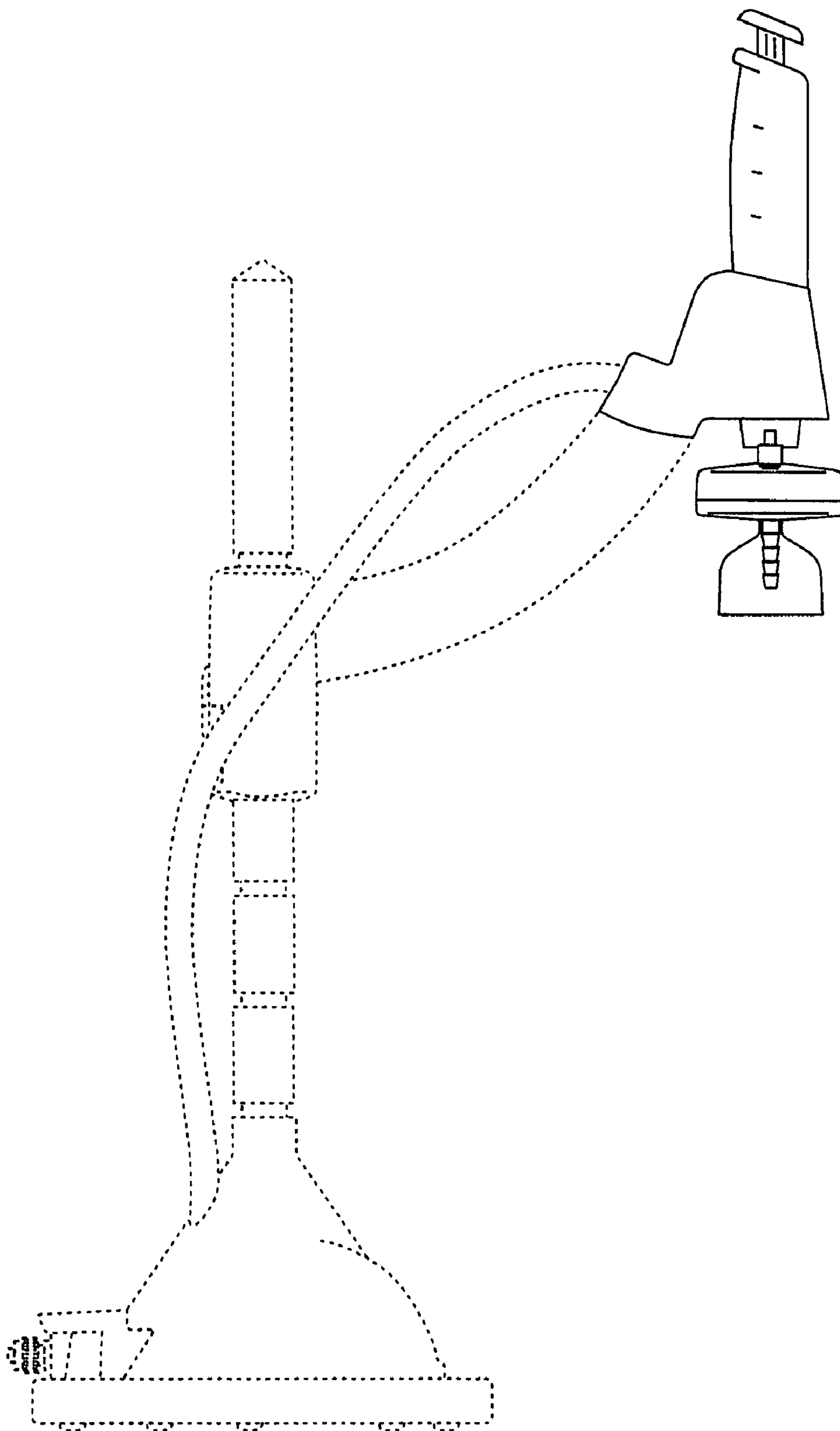


Figure 5

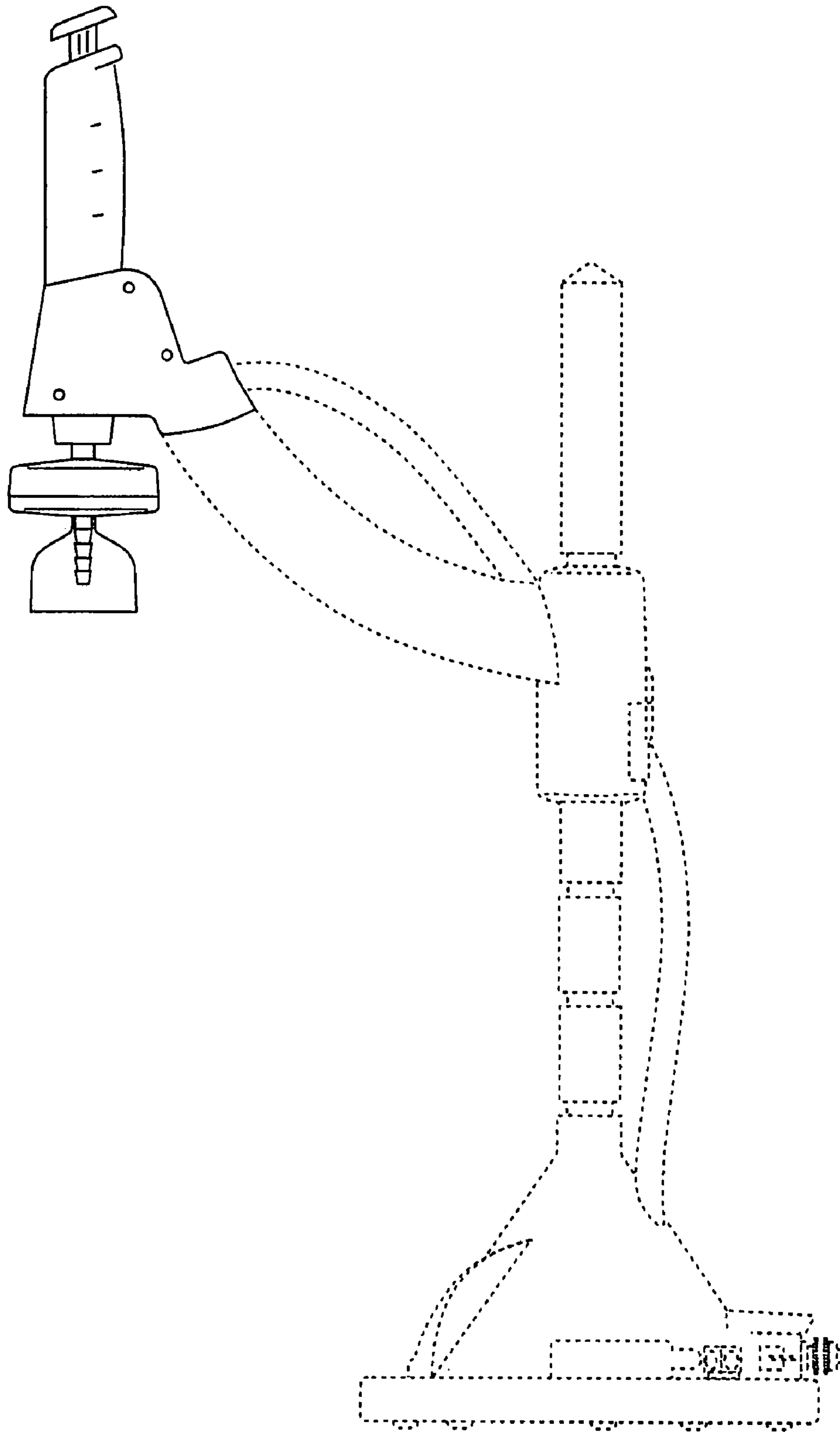


Figure 6

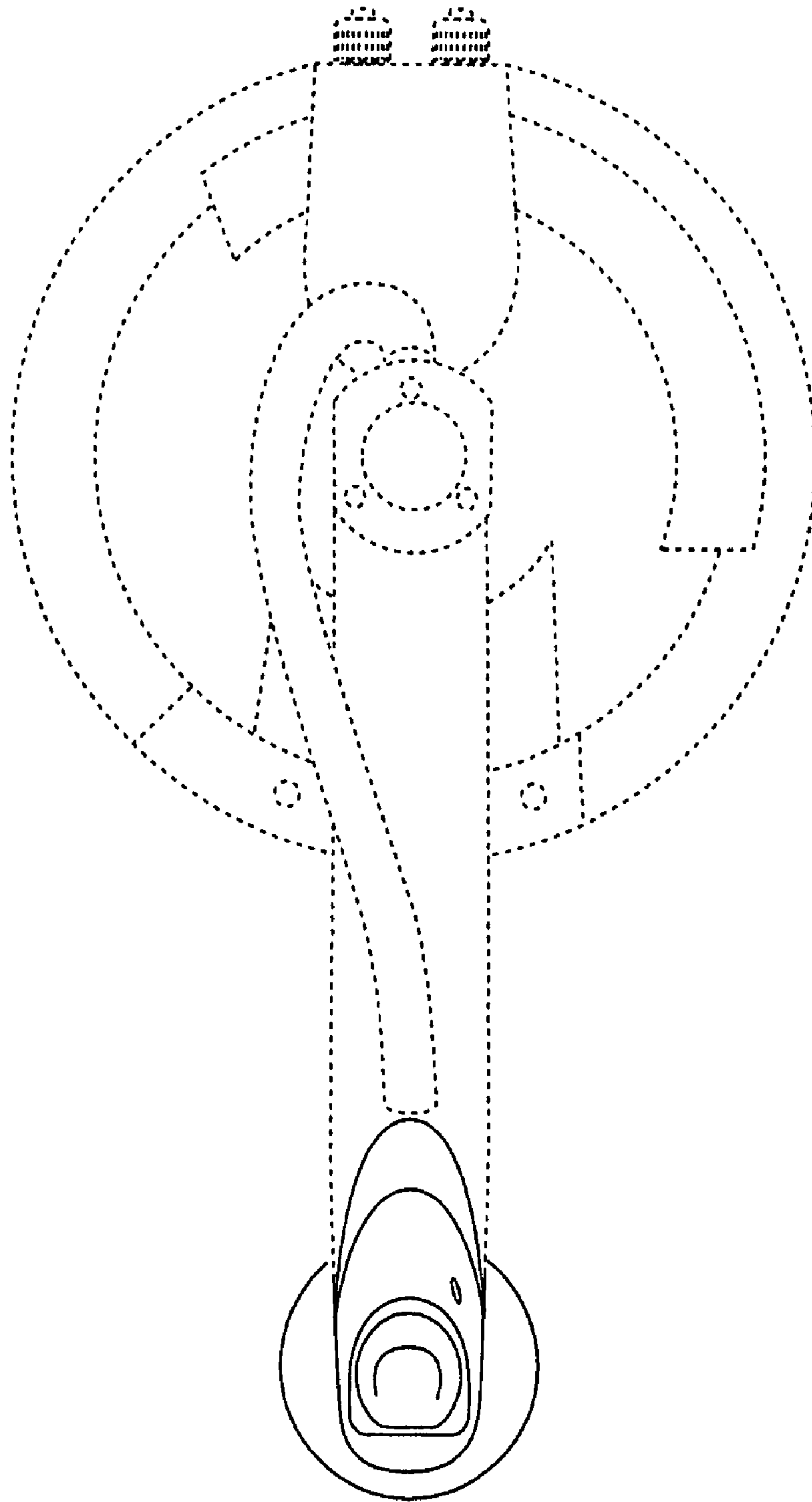


Figure 7



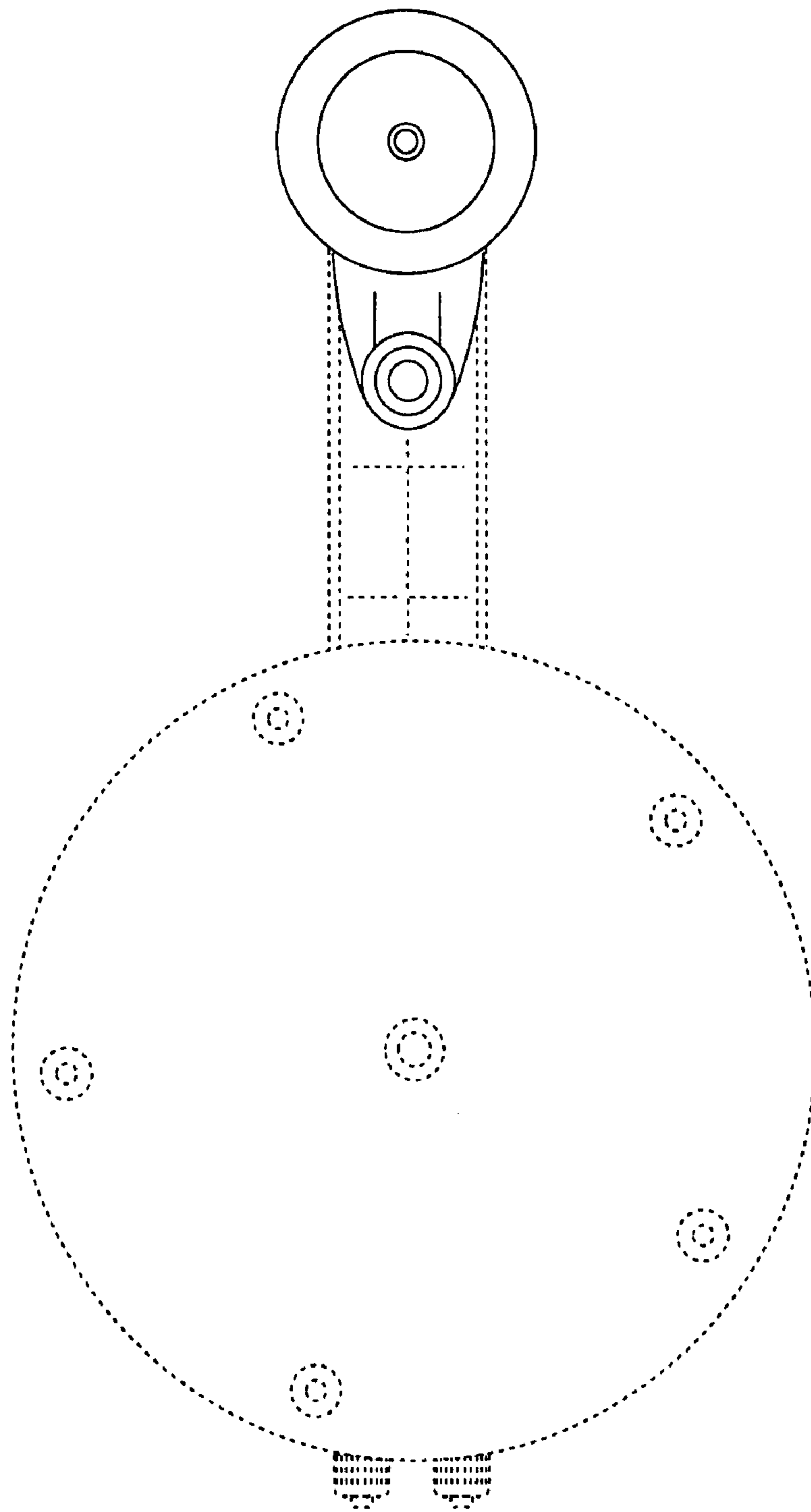


Figure 8