



US00D568437S

(12) **United States Design Patent** (10) **Patent No.:** **US D568,437 S**
McBurney et al. (45) **Date of Patent:** **** May 6, 2008**

(54) **FIREARM MOUNT BRACKET**
 (75) Inventors: **Leonard G. McBurney**, Pinckney, MI (US); **James C. Douglas**, Livonia, MI (US)
 (73) Assignee: **The United States of America as represented by the Secretary of the Army**, Washington, DC (US)

Primary Examiner—Ian Simmons
Assistant Examiner—Melanie Levy
 (74) *Attorney, Agent, or Firm*—David L. Kuhn; Thomas W. Saur; Luis Miguel Acosta

(**) Term: **14 Years**

(21) Appl. No.: **29/286,101**

(22) Filed: **Apr. 9, 2007**

(51) **LOC (8) Cl.** **22-01**

(52) **U.S. Cl.** **D22/108**

(58) **Field of Classification Search** D22/108,
 D22/100, 199, 109, 110; D12/114; 102/430;
 89/40.01, 40.03, 37.04; 211/64; 224/311,
 224/442, 413, 571, 551; 42/111, 114, 94;
 D6/552

See application file for complete search history.

(56) **References Cited**

U.S. PATENT DOCUMENTS

2,919,058	A	12/1959	Thompson	
4,450,989	A	5/1984	Bogar, Jr.	
4,607,772	A *	8/1986	Hancock	224/913
4,776,471	A	10/1988	Elkins	
D310,446	S	9/1990	Elkins	
D345,273	S *	3/1994	Horn	D6/552
5,350,094	A *	9/1994	Morford	224/551
D356,541	S	3/1995	Morford	
D365,715	S	1/1996	Zebbedies	

(Continued)

OTHER PUBLICATIONS

Department of the Army, Excerpts From TM 5-2420-230-241, Oct. 2003, 4 pages.

WIKIPEDIA, "National Stock Number", Hardcopy printout from Website http://en.wikipedia.org/wiki/National_Stock_Number, Mar. 12, 2007, 2 pages.

* cited by examiner

(57) **CLAIM**

The ornamental design for a firearm mount bracket, as shown and described.

DESCRIPTION

The invention described here may be made, used and licensed by and for the U.S. Government for governmental purposes without paying royalty to us.

FIG. 1 is a front, top, and left side perspective view of a firearm mount bracket for vehicle showing our new design;

FIG. 2 is a front, top and left side perspective view thereof shown in an alternate environment;

FIG. 3 is a front, top and left side perspective view thereof;

FIG. 4 is a front, top, and right side perspective view thereof shown in an alternate environment;

FIG. 5 is a front, top, and right side perspective view thereof with the latch in a closed position;

FIG. 6 is a front, top, and right side perspective view thereof with the latch rotated to an open position;

FIG. 7 is a top plan view thereof;

FIG. 8 is a bottom plan view thereof;

FIG. 9 is a front side view thereof with the latch in a closed position;

FIG. 10 is a rear side view thereof;

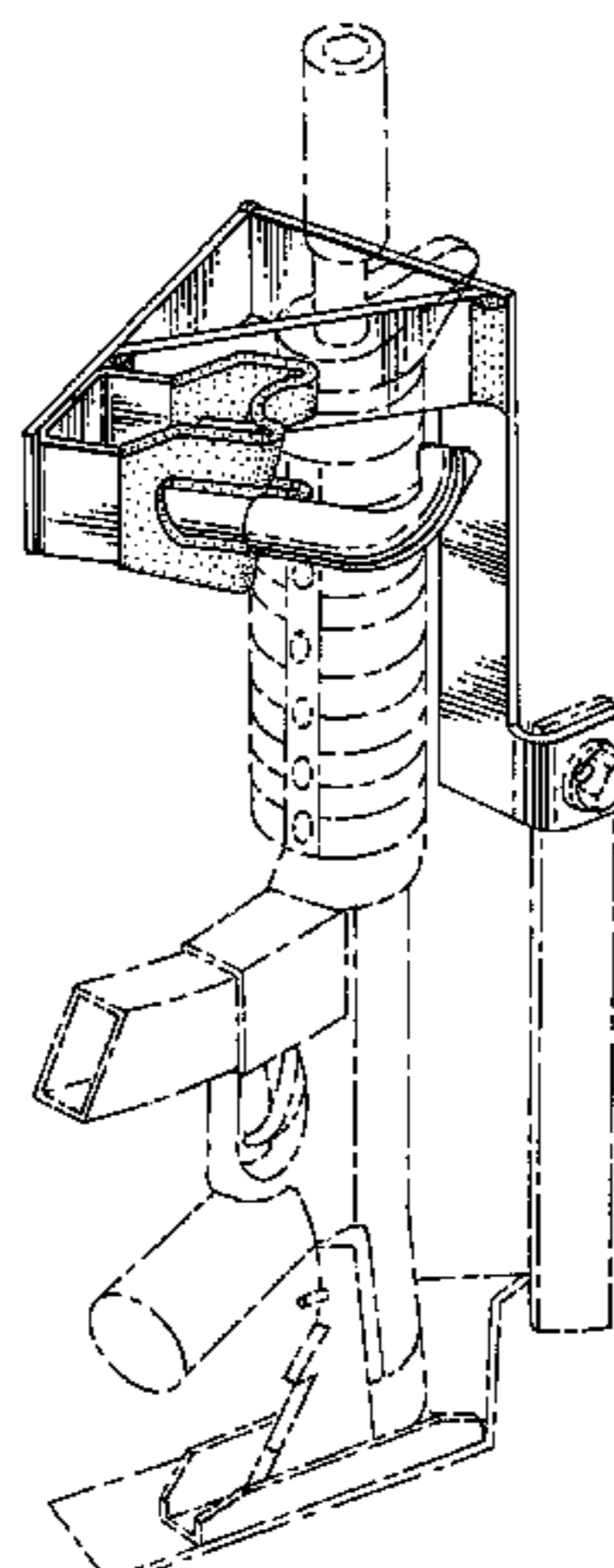
FIG. 11 is a left side elevation view thereof;

FIG. 12 is a right side elevation view thereof; and,

FIG. 13 is a front, left side isometric view thereof with the latch rotated to an open position.

The broken lines are for illustrative purposes only and form no part of the claimed design.

1 Claim, 10 Drawing Sheets



US D568,437 S

Page 2

U.S. PATENT DOCUMENTS

5,531,368	A *	7/1996	Morford	224/551	6,293,447	B1	9/2001	Jorgensen	
5,779,120	A *	7/1998	Morford	224/571	6,360,931	B1 *	3/2002	Morford	224/551
D397,403	S	8/1998	Zebbedies		6,742,687	B2 *	6/2004	Morford	224/551
6,047,870	A *	4/2000	Morford	224/551	6,986,446	B2	1/2006	Murray et al.	
D428,962	S *	8/2000	Morford	D22/108	7,043,864	B1 *	5/2006	Reed	42/111
					D530,960	S	10/2006	Osiecki et al.	

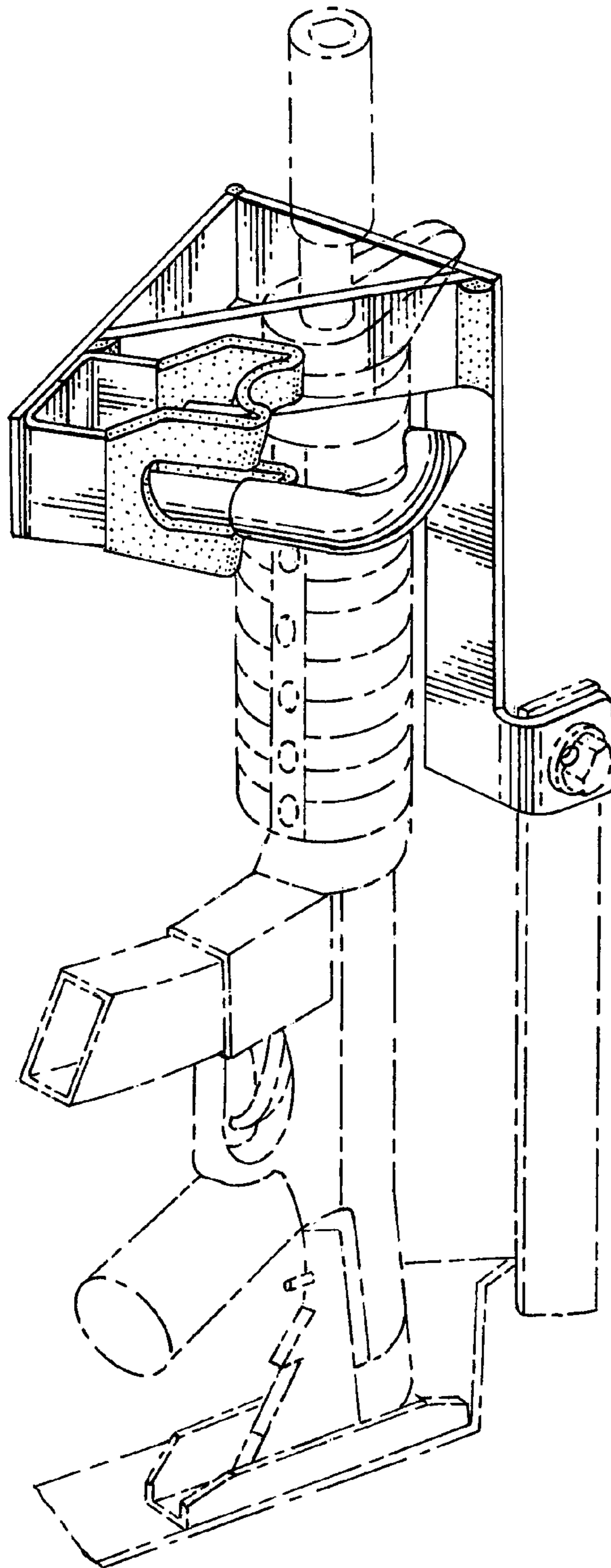


Fig. 1

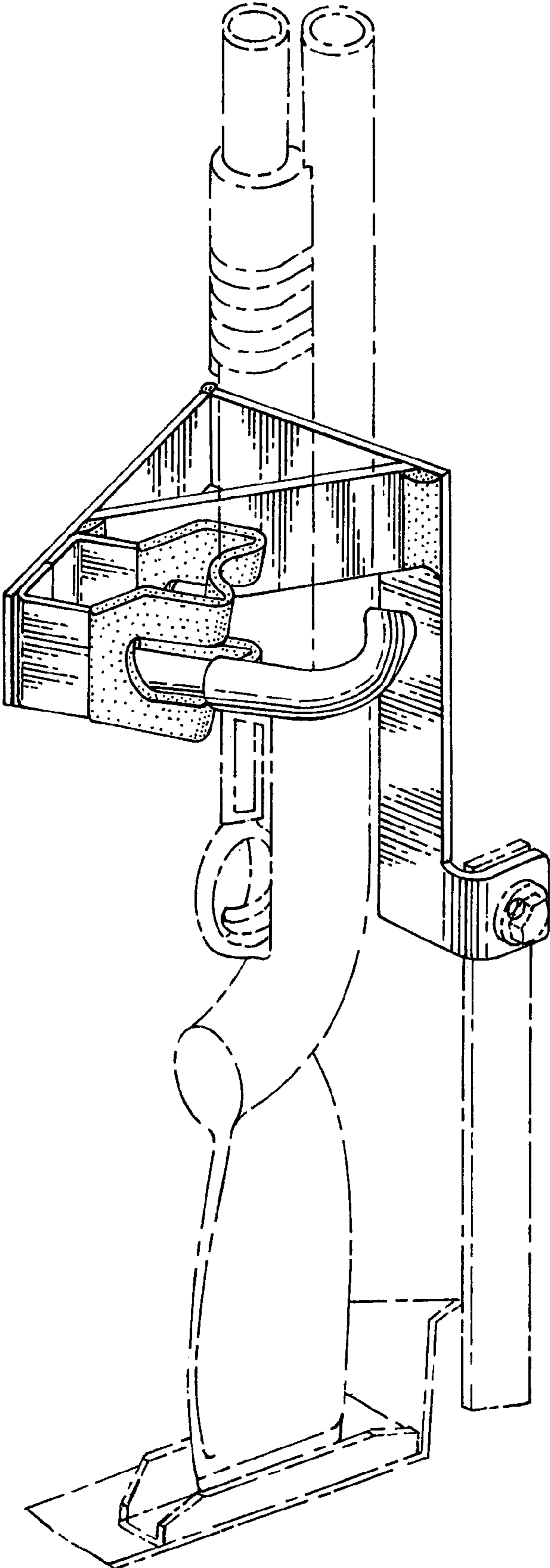


Fig. 2

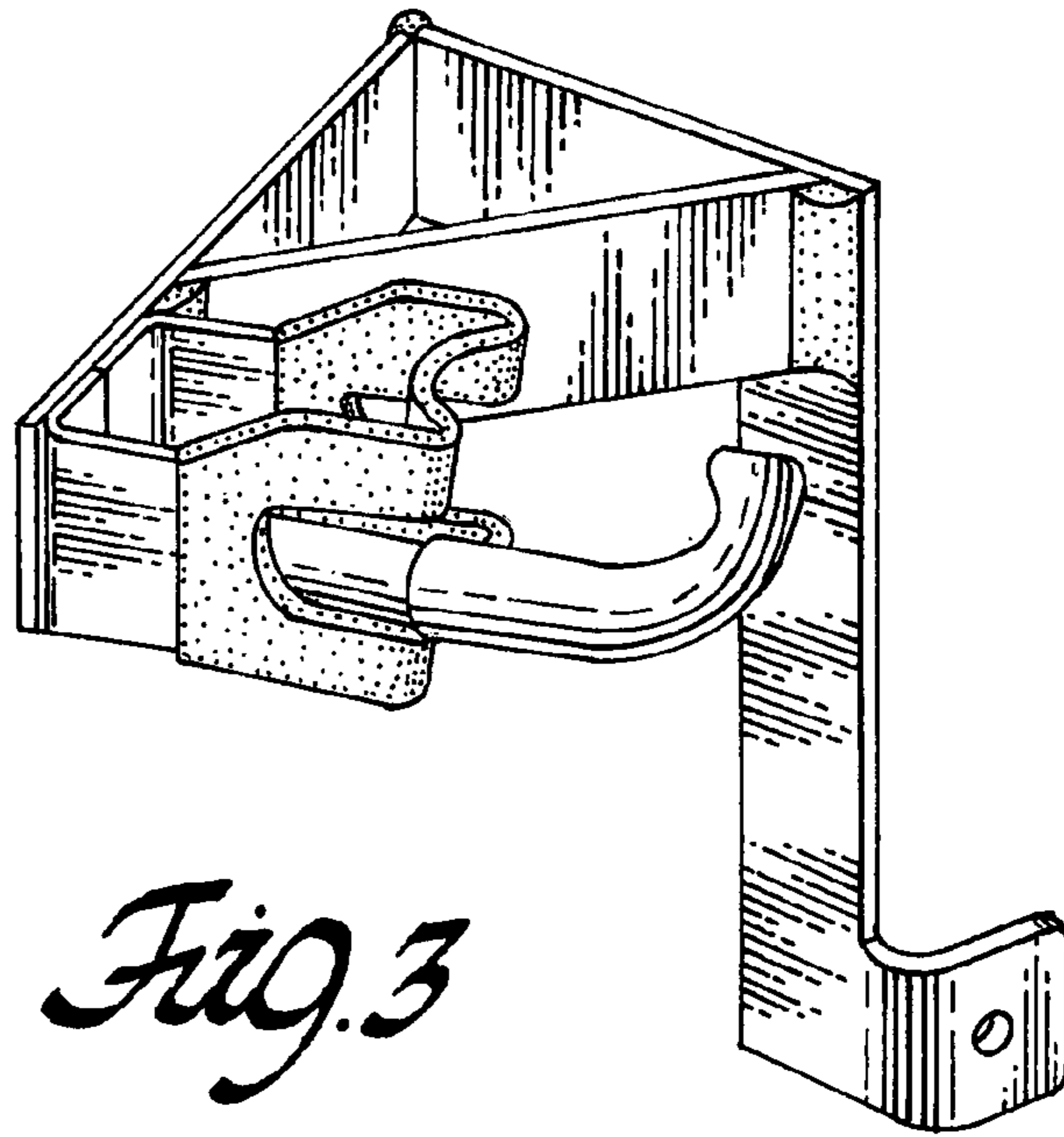


Fig. 3

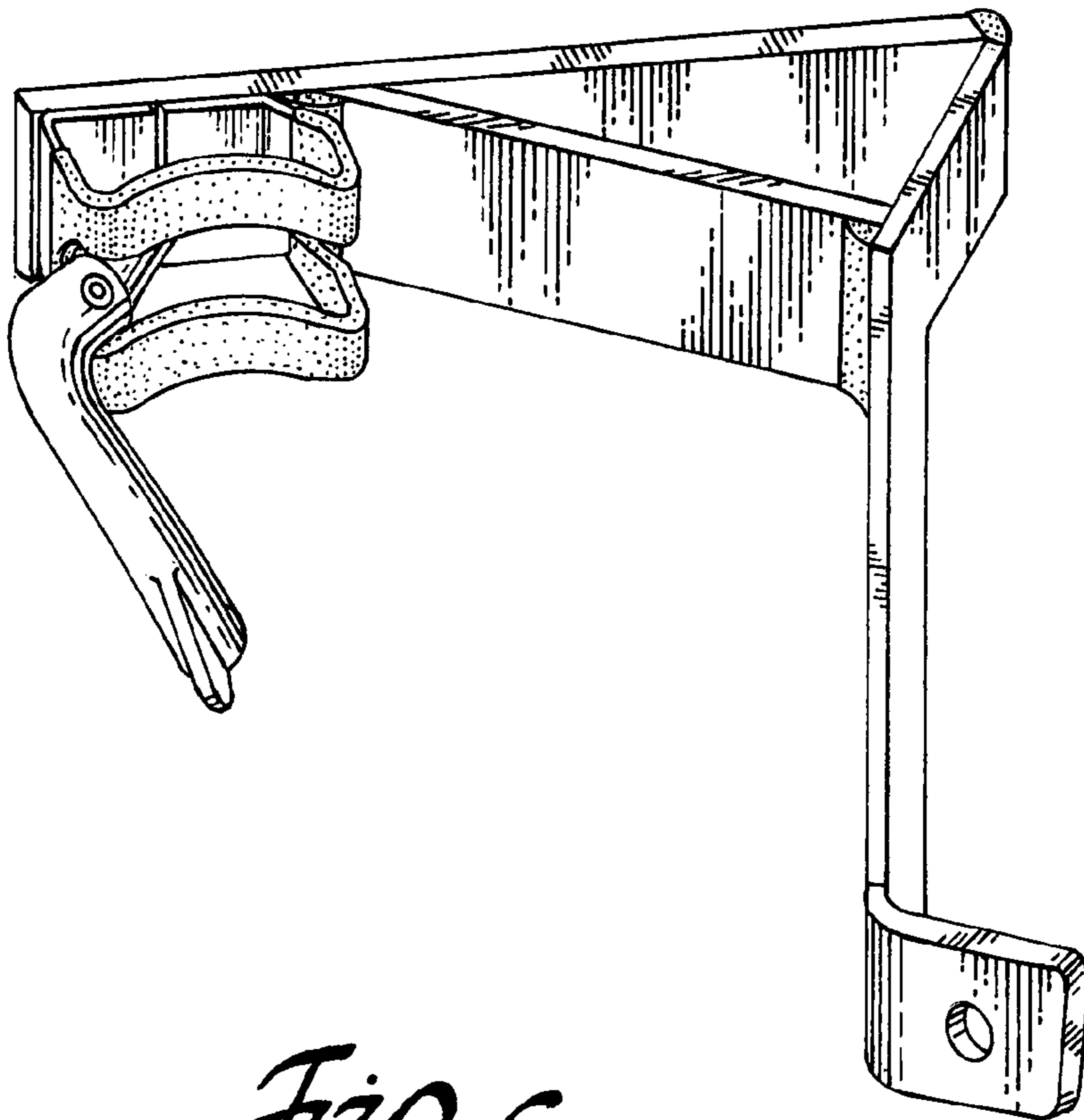


Fig. 6

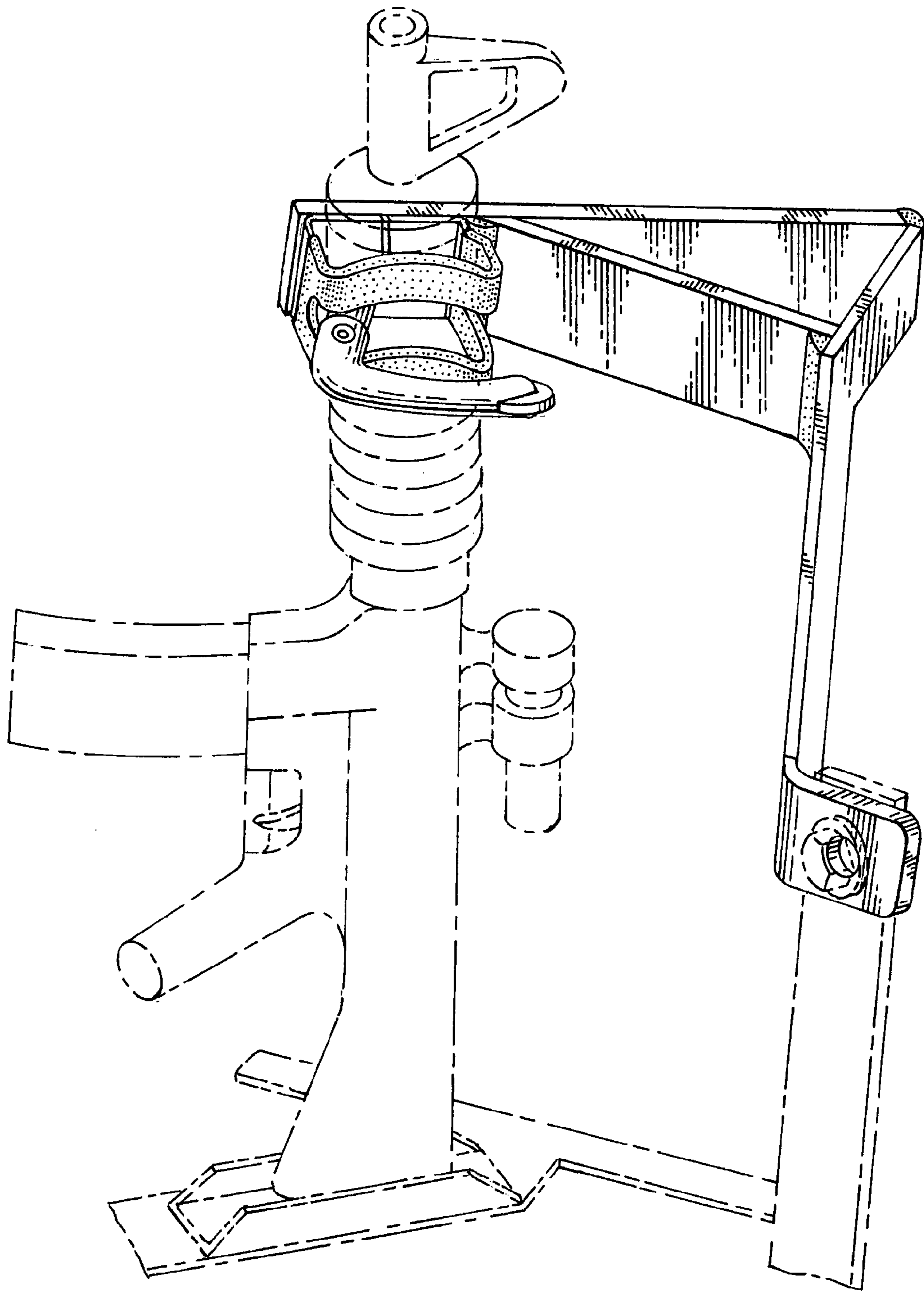


Fig. 4

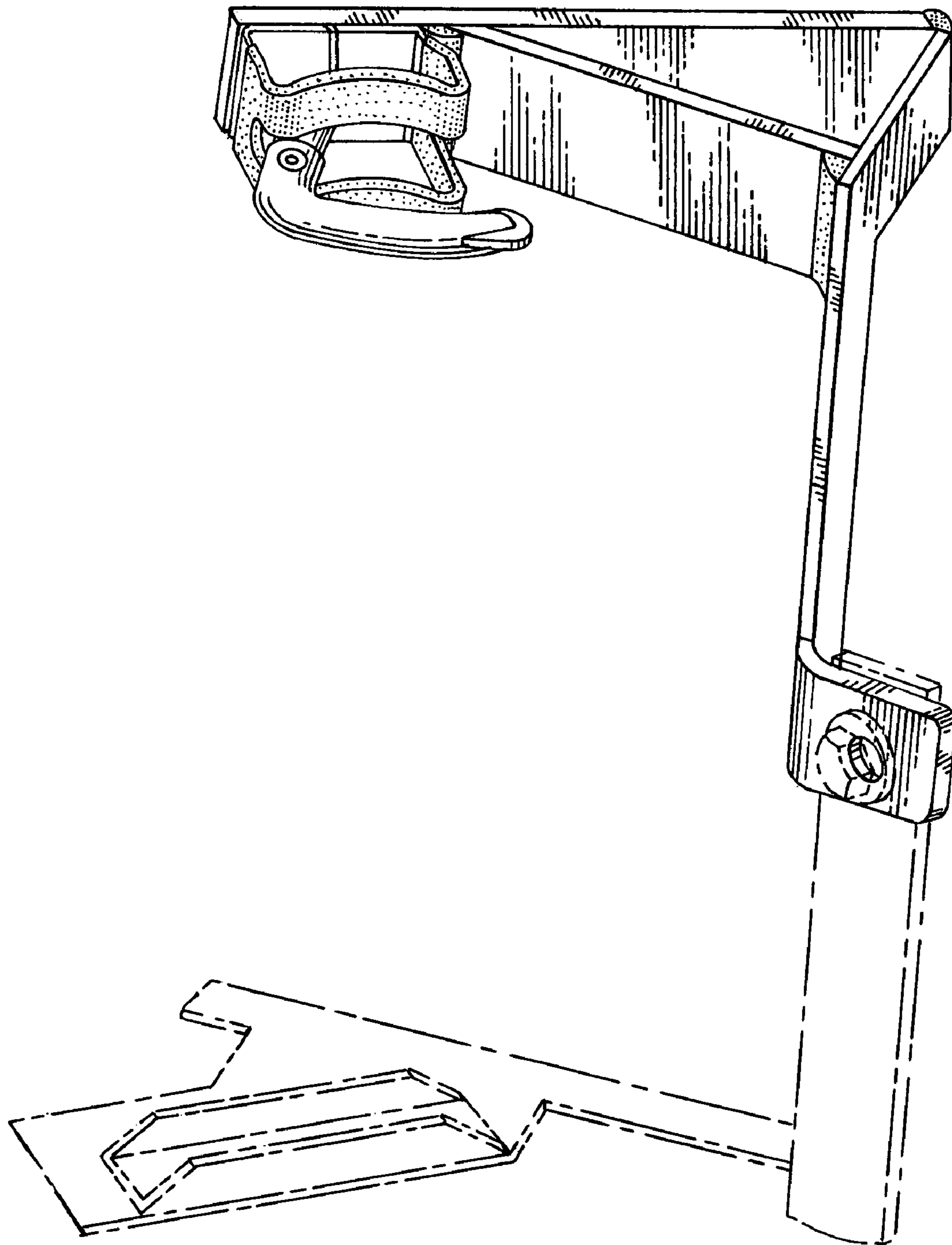


Fig. 5

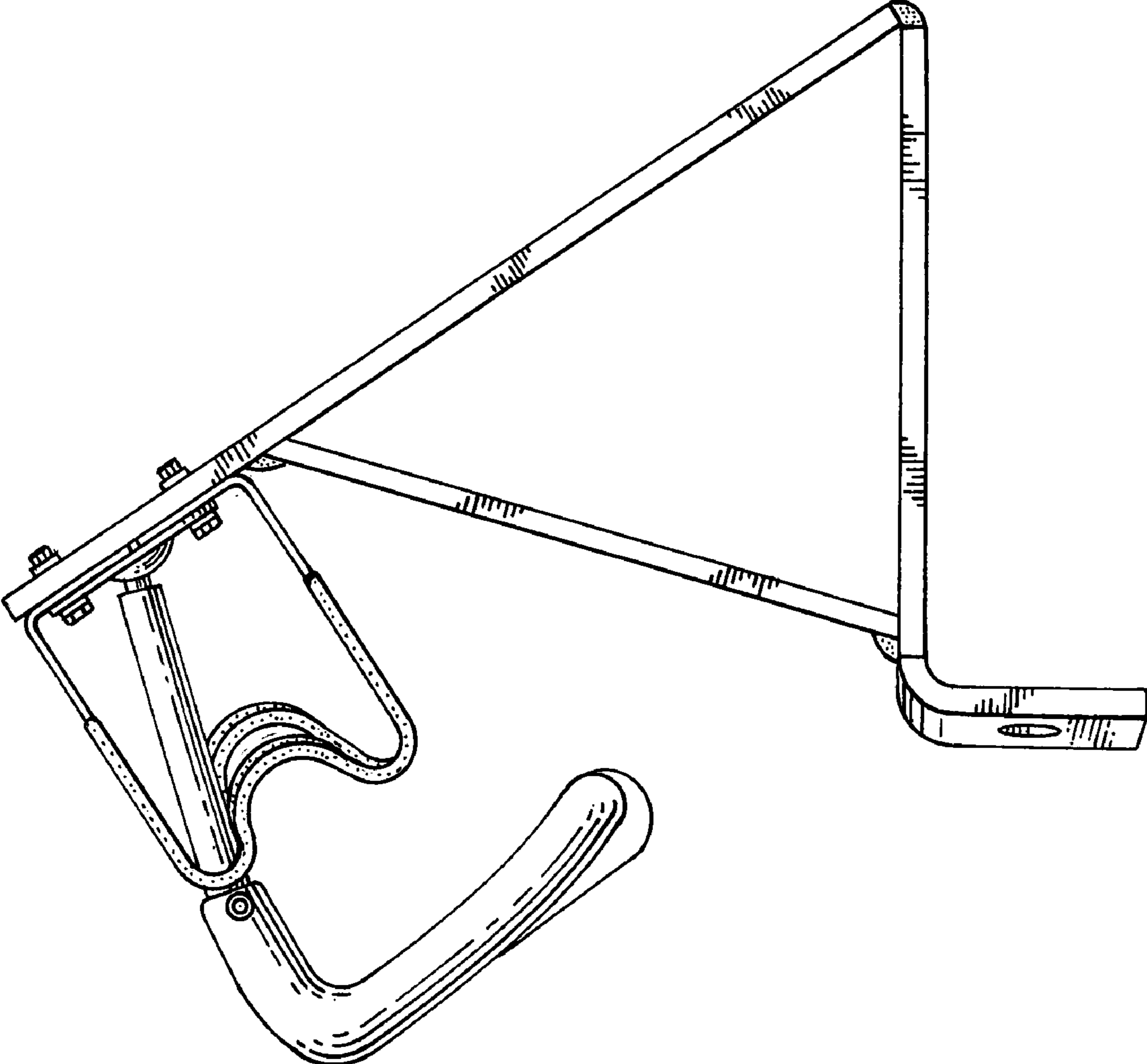


Fig. 7

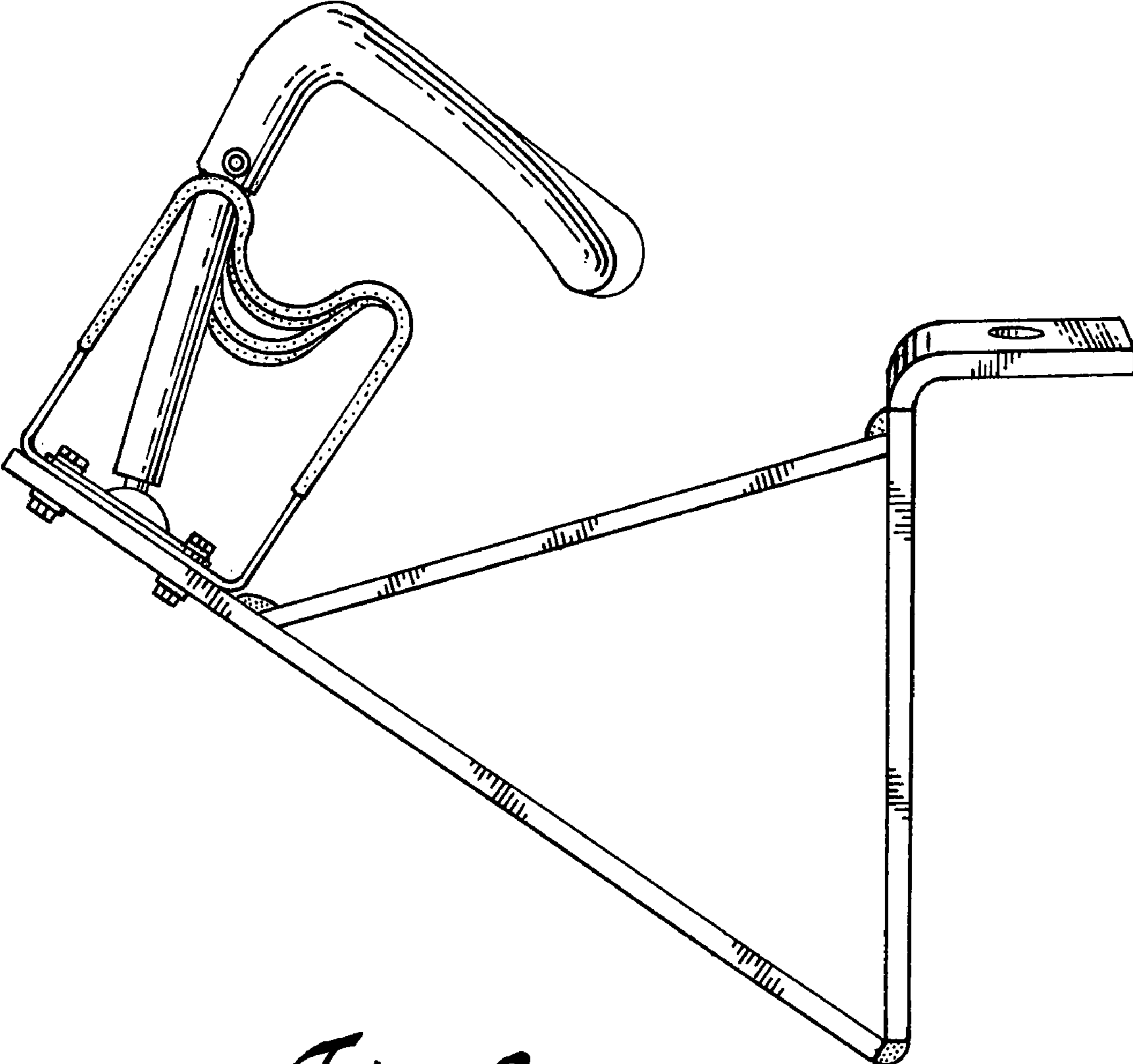


Fig. 8

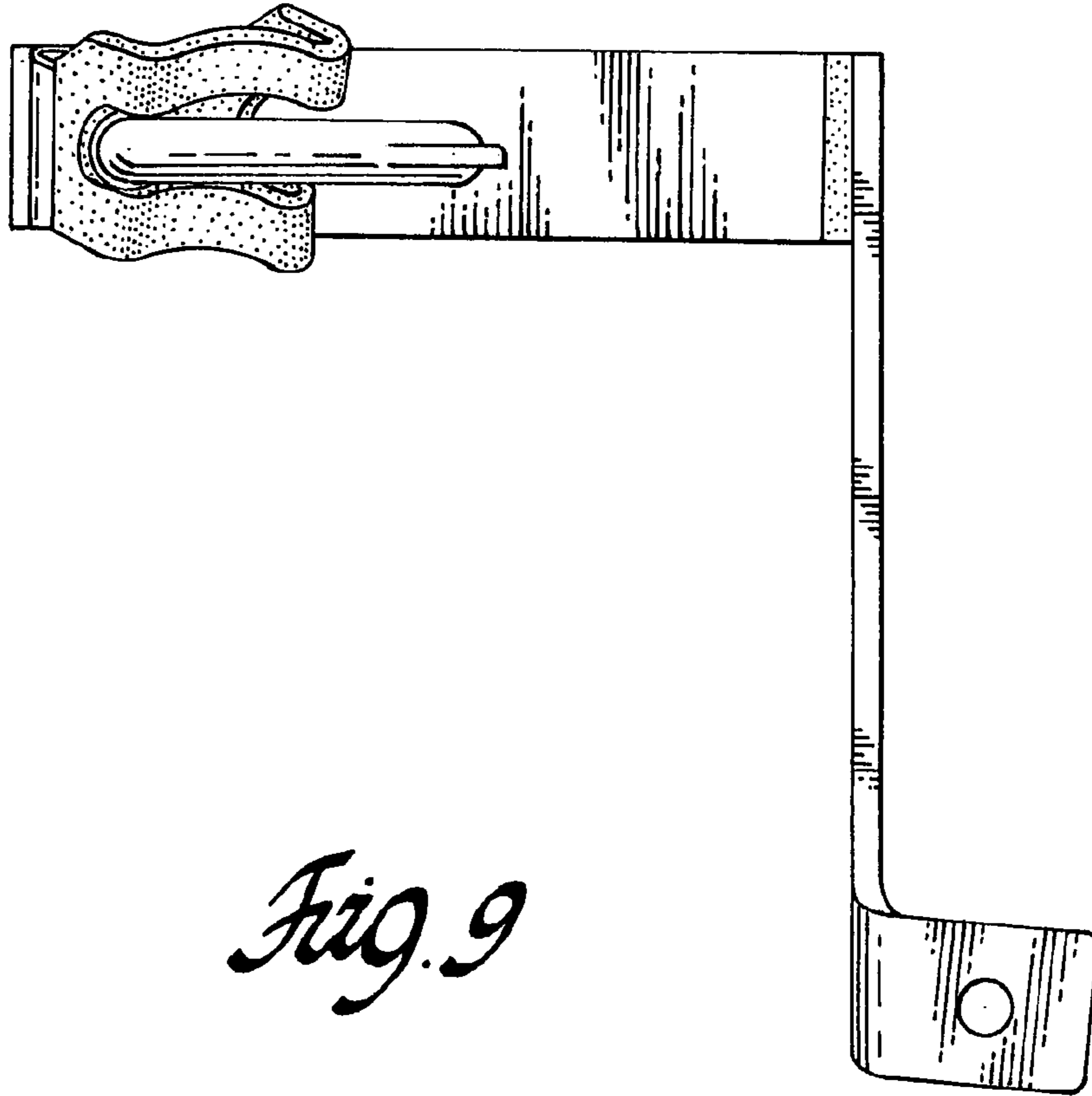


Fig. 9

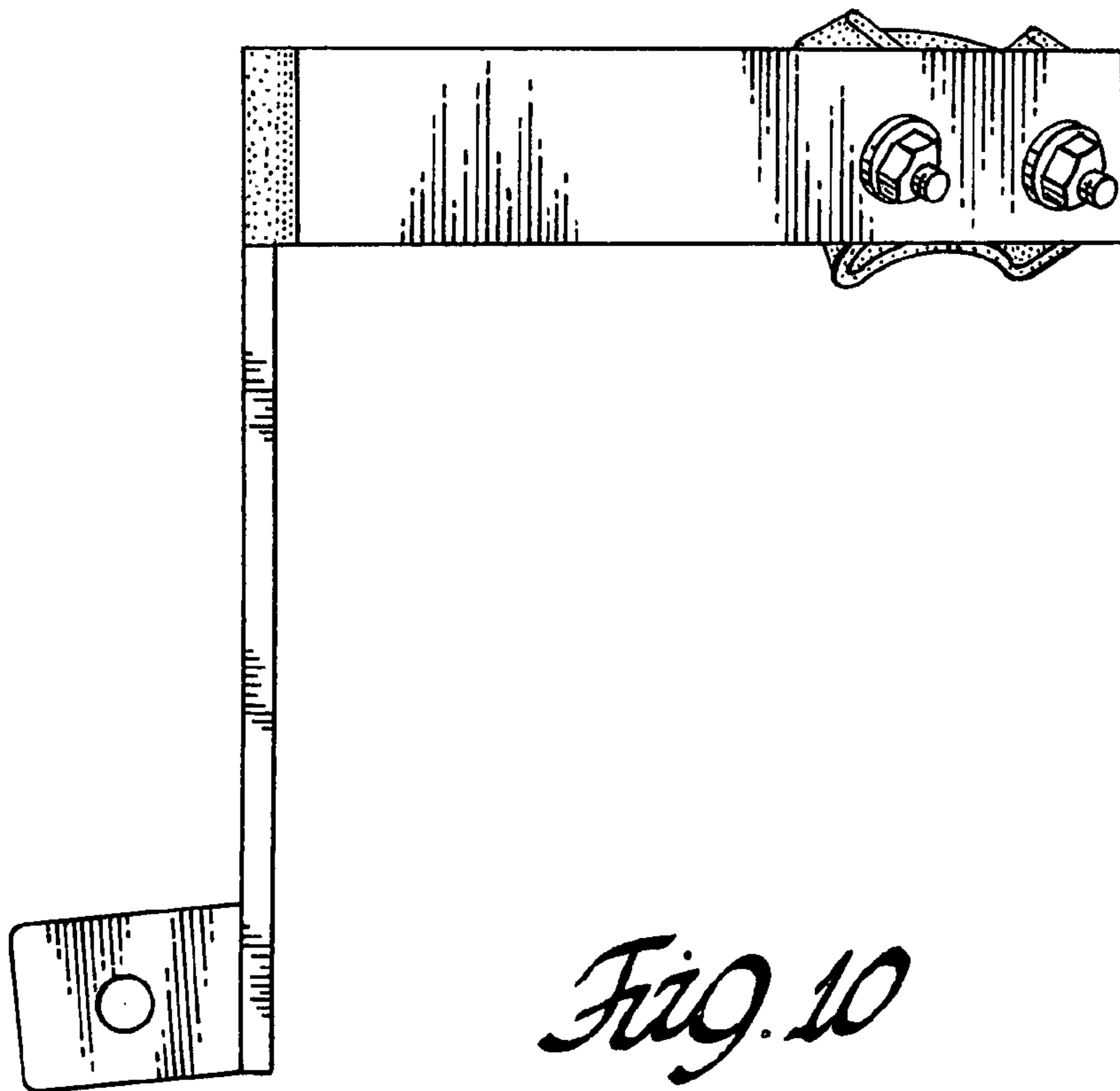


Fig. 10

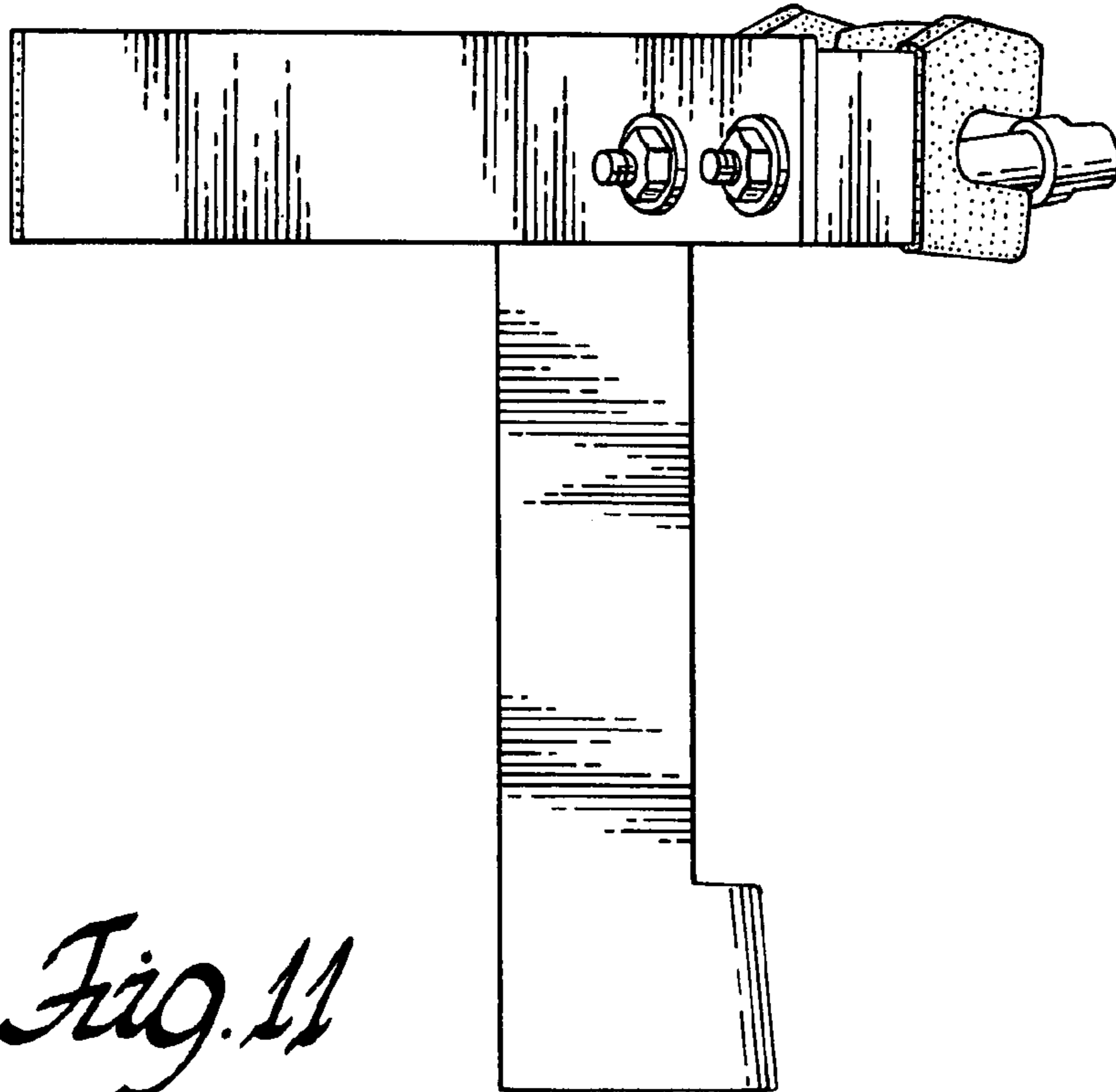


Fig. 11

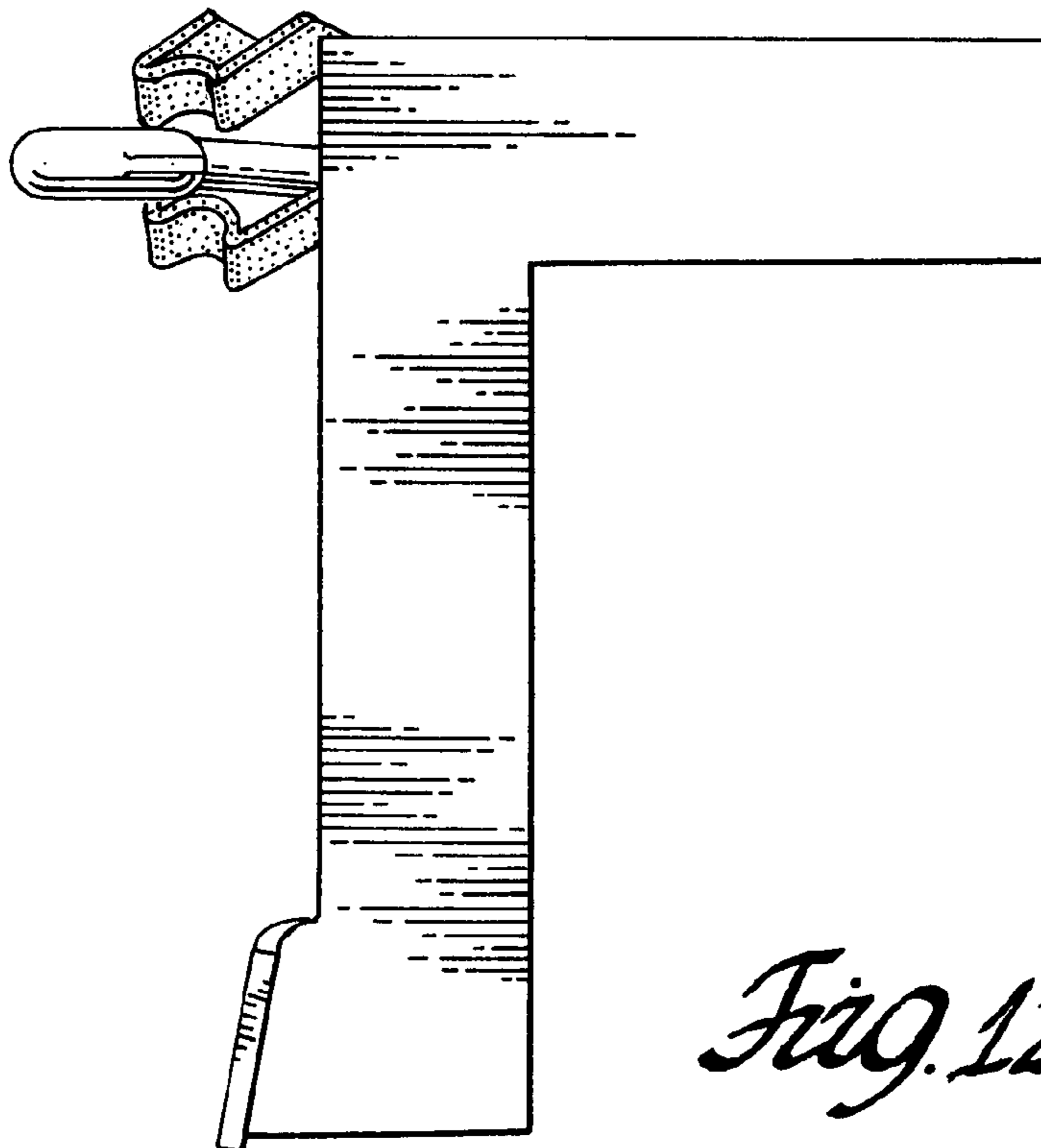


Fig. 12

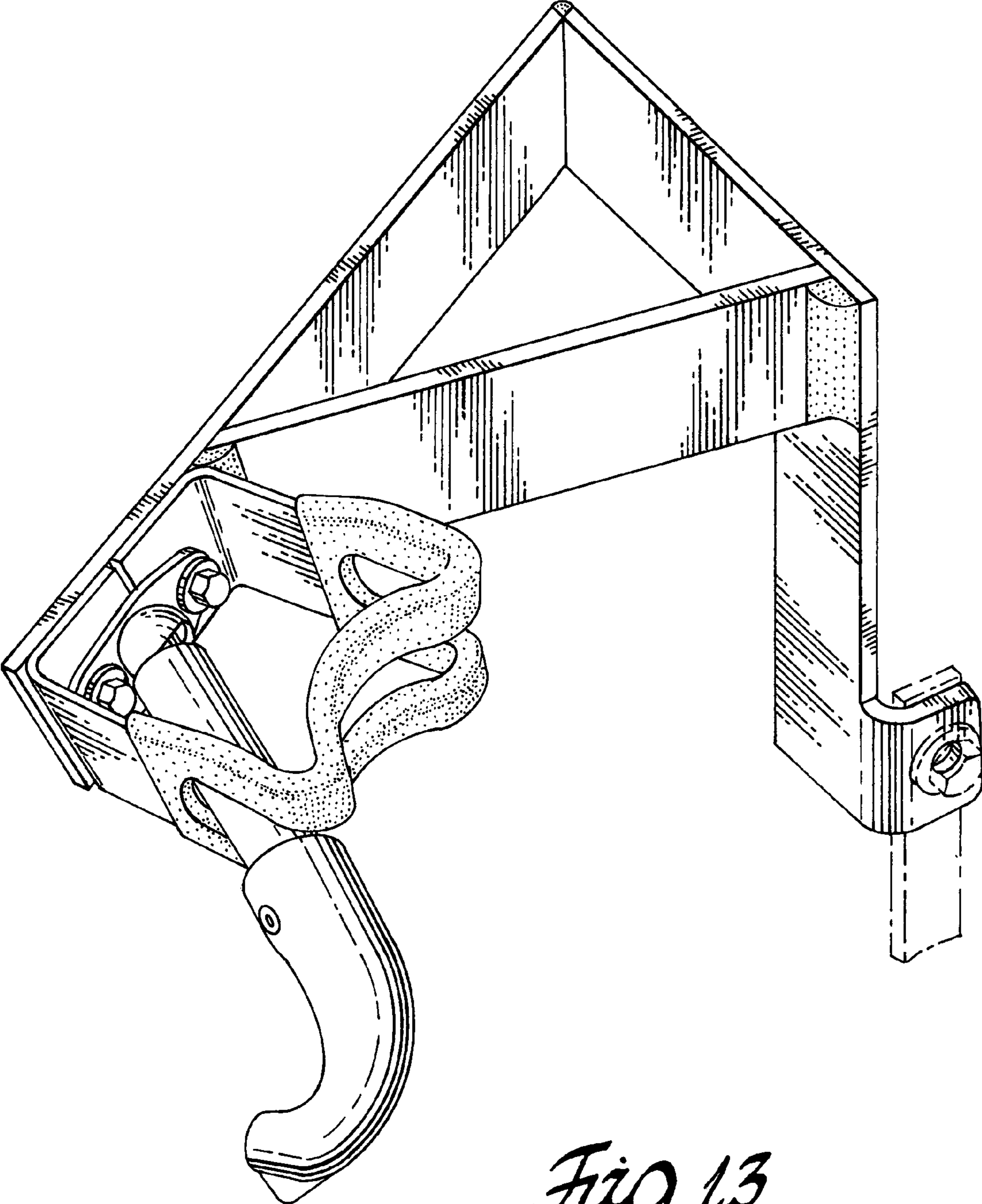


Fig. 13