



US00D568434S

(12) **United States Design Patent**  
**Wingerstahn**

(10) **Patent No.:** **US D568,434 S**

(45) **Date of Patent:** **\*\* \*May 6, 2008**

(54) **LARGE HANGING AND SPINNING  
PLAYGROUND DEVICE**

D293,459 S \* 12/1987 McCombs ..... D21/830  
D316,889 S \* 5/1991 Smith ..... D21/830  
D381,057 S \* 7/1997 Strawcutter et al. .... D21/814

(75) Inventor: **Paul Wingerstahn**, Fort Payne, AL  
(US)

\* cited by examiner

(73) Assignee: **Playcore**, Chattanooga, TN (US)

*Primary Examiner*—Mitchell I Siegel

(\* ) Notice: This patent is subject to a terminal dis-  
claimer.

(74) *Attorney, Agent, or Firm*—Stephen J. Stark; Miller &  
Martin PLLC

(\*\*) Term: **14 Years**

(57) **CLAIM**

(21) Appl. No.: **29/271,740**

The ornamental design for a large hanging and spinning  
playground device, is shown and described herein.

(22) Filed: **Jan. 25, 2007**

**DESCRIPTION**

(51) **LOC (8) Cl.** ..... **21-03**

FIG. 1 is a perspective view of a large hanging and spinning  
playground device;

(52) **U.S. Cl.** ..... **D21/811; D21/830**

FIG. 2 is a top plan view thereof;

(58) **Field of Classification Search** ..... D21/811,  
D21/814, 826, 830; 472/1, 14, 29, 32; 482/33  
See application file for complete search history.

FIG. 3 is a front elevational view thereof; the undisclosed  
other sides are identical; and,

FIG. 4 is a bottom plan view thereof.

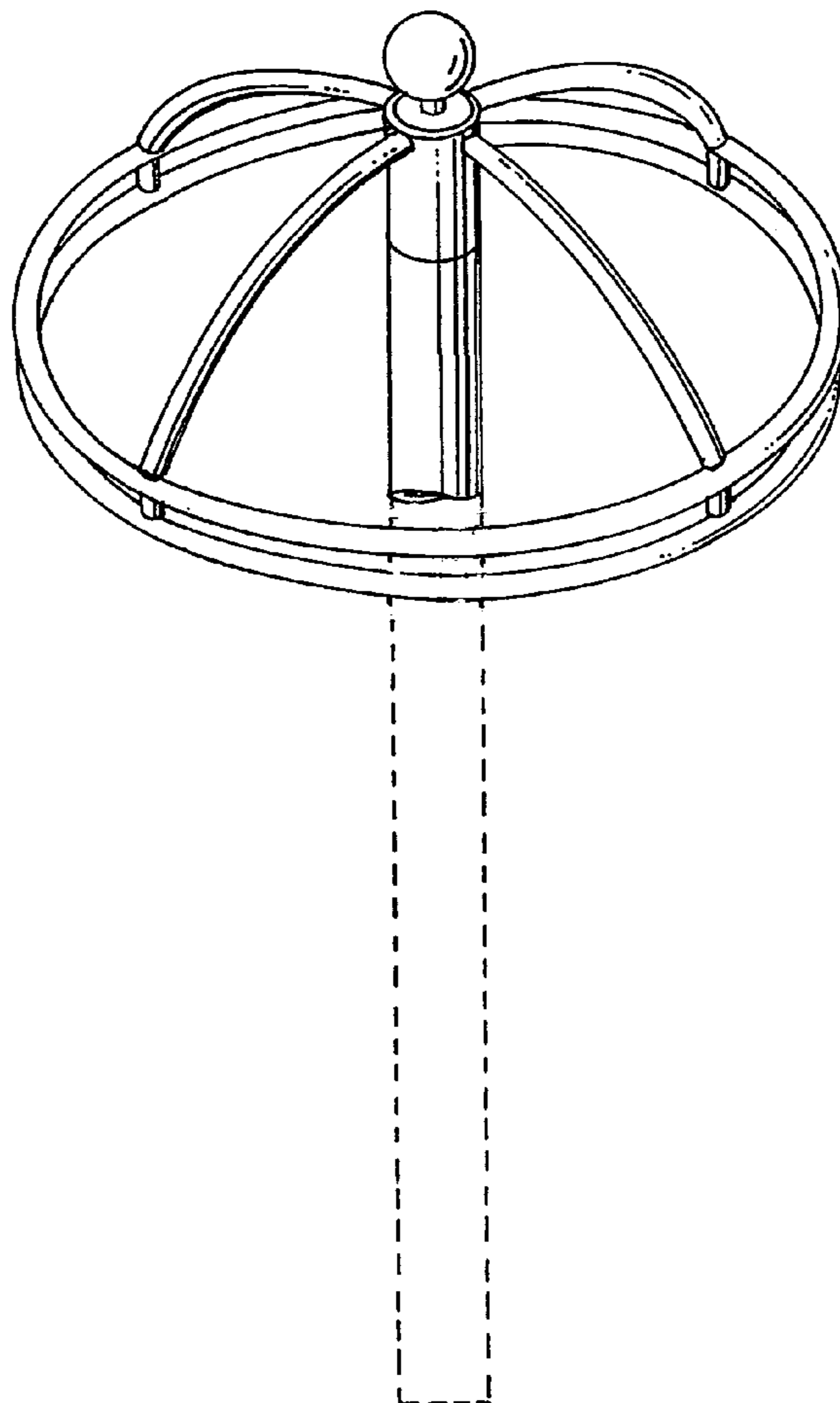
(56) **References Cited**

The broken line showing is included for the purpose of  
illustrating and forms no part of the claimed design.

**U.S. PATENT DOCUMENTS**

1,916,809 A \* 7/1933 Patterson ..... 472/14

**1 Claim, 2 Drawing Sheets**



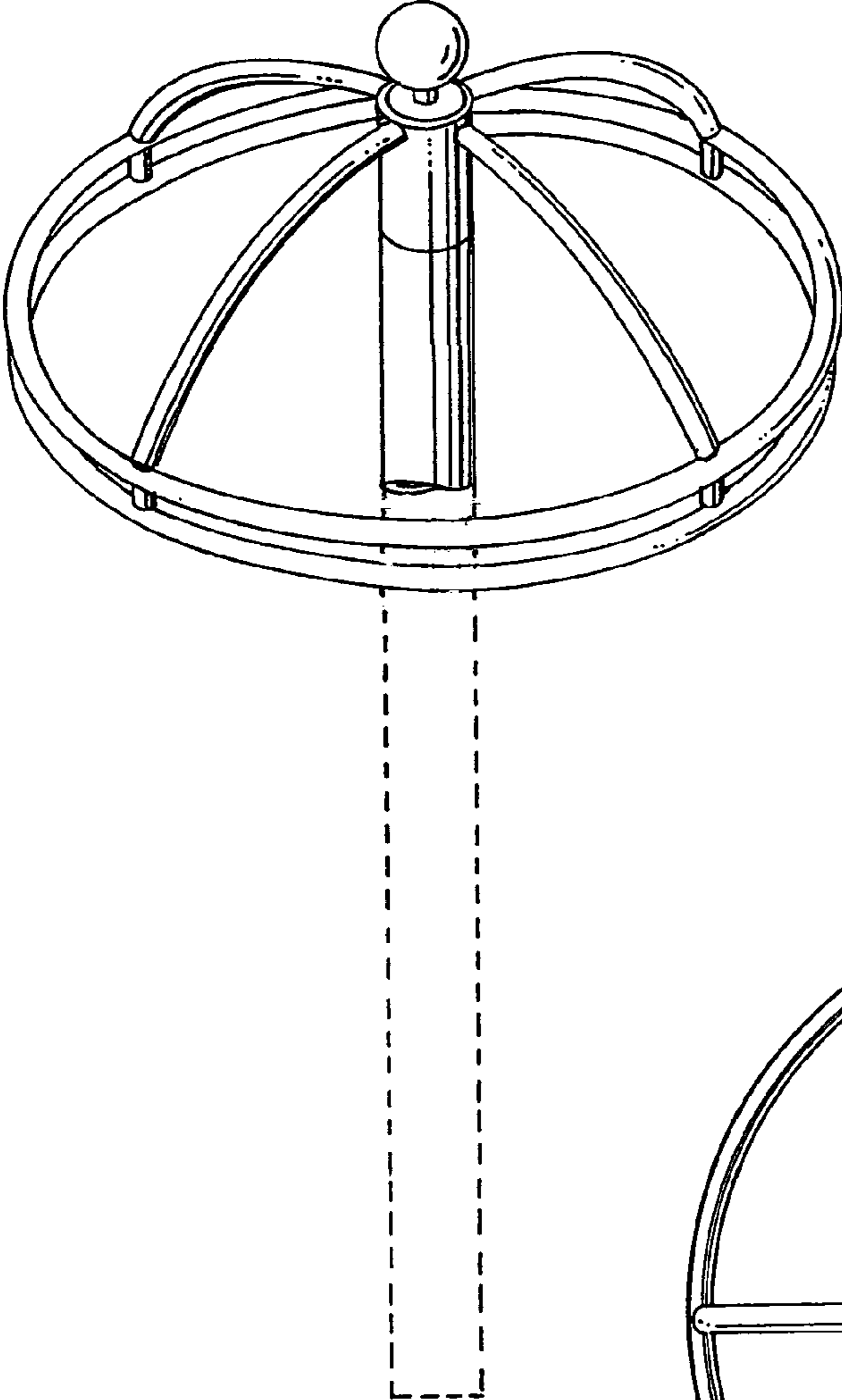


FIG. 1

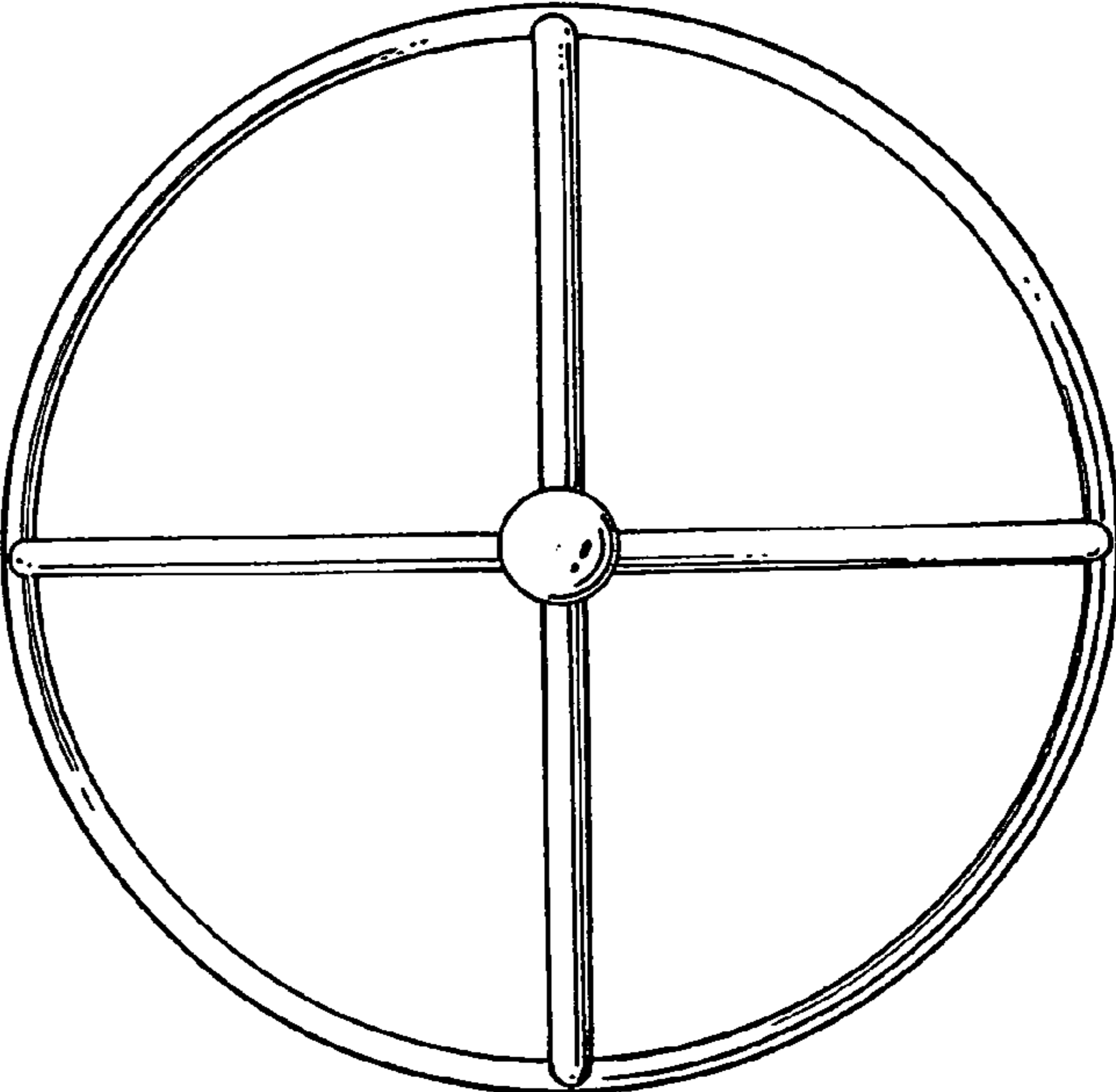
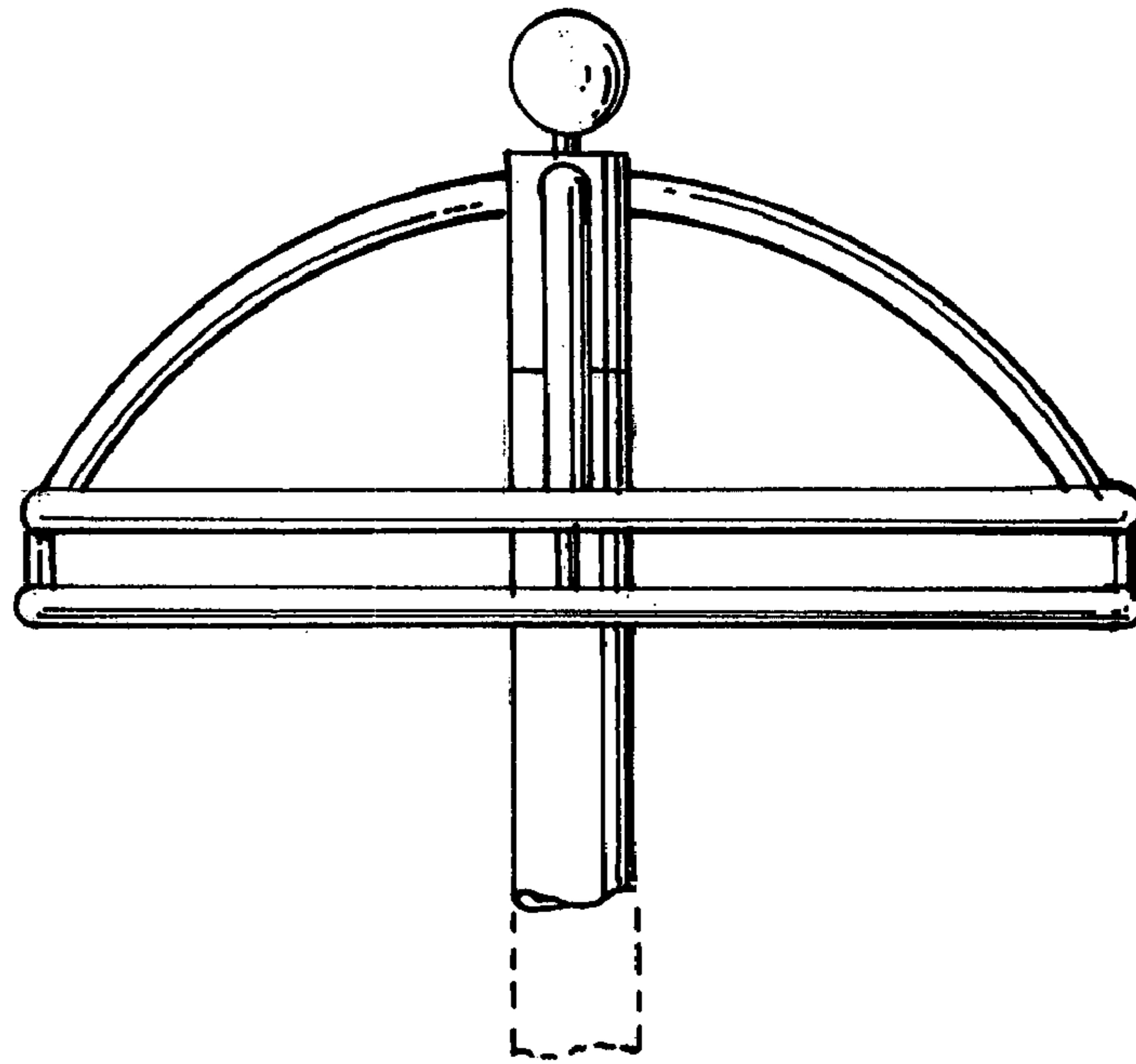
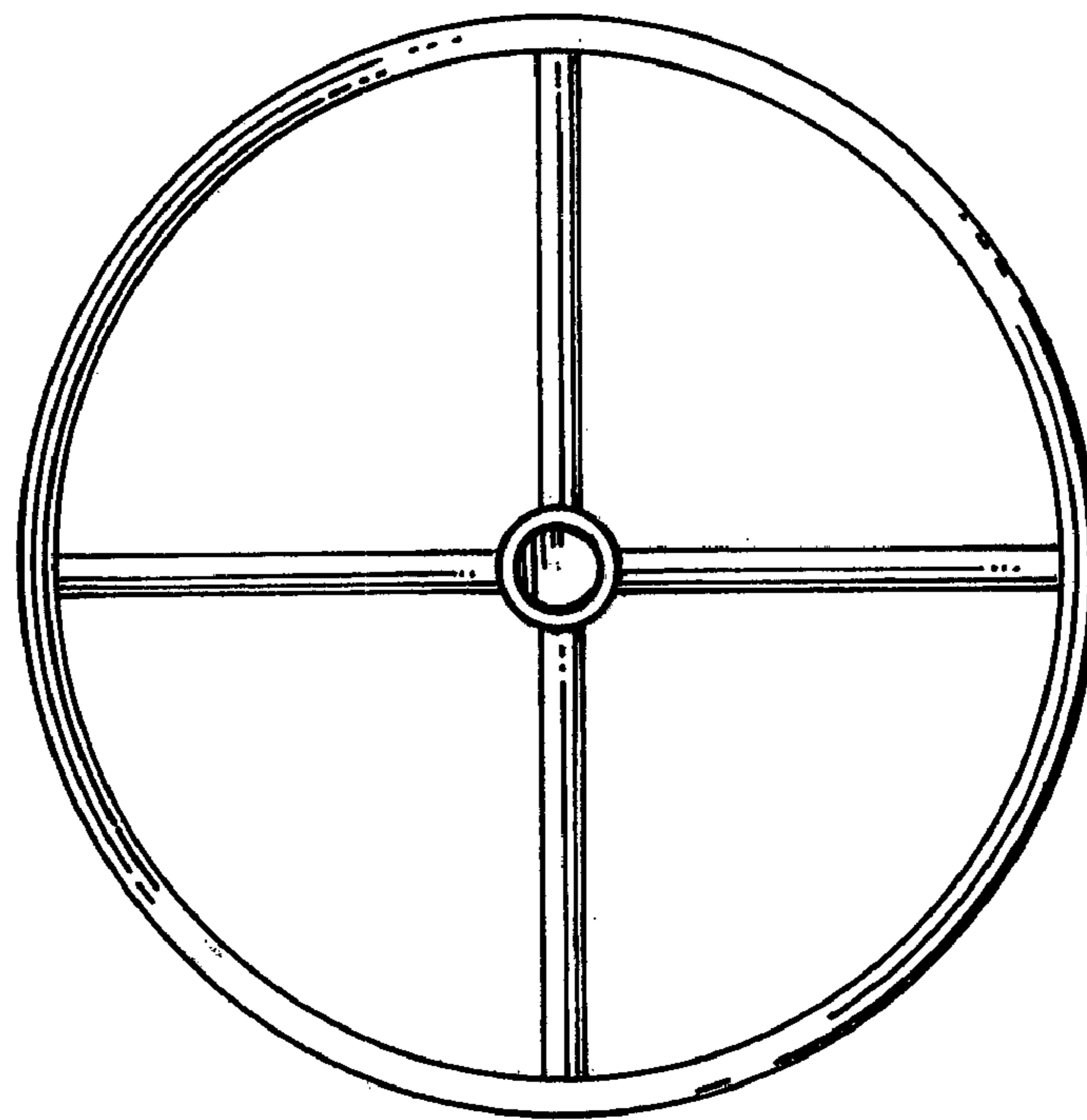


FIG. 2



**FIG. 3**



**FIG. 4**