



US00D568432S

(12) **United States Design Patent**
Rubino

(10) **Patent No.:** **US D568,432 S**

(45) **Date of Patent:** **** May 6, 2008**

(54) **GOLF PUTTING CUP**

(75) Inventor: **James Rubino**, Penfield, NY (US)

(73) Assignee: **Izzo Golf Inc.**, Macedon, NY (US)

(**) Term: **14 Years**

(21) Appl. No.: **29/291,737**

(22) Filed: **Sep. 12, 2007**

(51) **LOC (8) Cl.** **21-02**

(52) **U.S. Cl.** **D21/790**

(58) **Field of Classification Search** D21/302,
D21/303, 698, 699, 789-796, 733-746, 759;
473/150-196, 405, 330, 340, 341, 251-256,
473/286; 273/317.2, 108.2, 108.21, 127 R,
273/127 B, 401

See application file for complete search history.

(56) **References Cited**

U.S. PATENT DOCUMENTS

2,459,559	A *	1/1949	Watkins	473/180
2,988,362	A *	6/1961	Brewer	473/184
D196,846	S *	11/1963	Niamtu, Jr.	D21/790
3,434,721	A *	3/1969	Travers	473/185
3,792,861	A *	2/1974	Coleman	473/178
4,728,106	A *	3/1988	Shore	473/180
4,909,515	A *	3/1990	Redkey	473/236
5,205,559	A *	4/1993	Plopper	473/179

D385,610	S *	10/1997	McDonald	D21/790
D400,631	S *	11/1998	Moore	D21/791
D487,296	S *	3/2004	Lister	D21/791
2006/0135275	A1 *	6/2006	Kramer	473/174
2006/0281579	A1 *	12/2006	Marnocha	473/340
2007/0178985	A1 *	8/2007	Ting	473/157

* cited by examiner

Primary Examiner—Catherine Tuttle

(74) *Attorney, Agent, or Firm*—Neal L. Slifkin

(57) **CLAIM**

The ornamental design for a golf putting cup, as shown and described.

DESCRIPTION

FIG. 1 is a perspective view of a golf putting cup showing my design;

FIG. 2 is another perspective view thereof;

FIG. 3 is a front elevation view thereof;

FIG. 4 is a right side elevation view thereof;

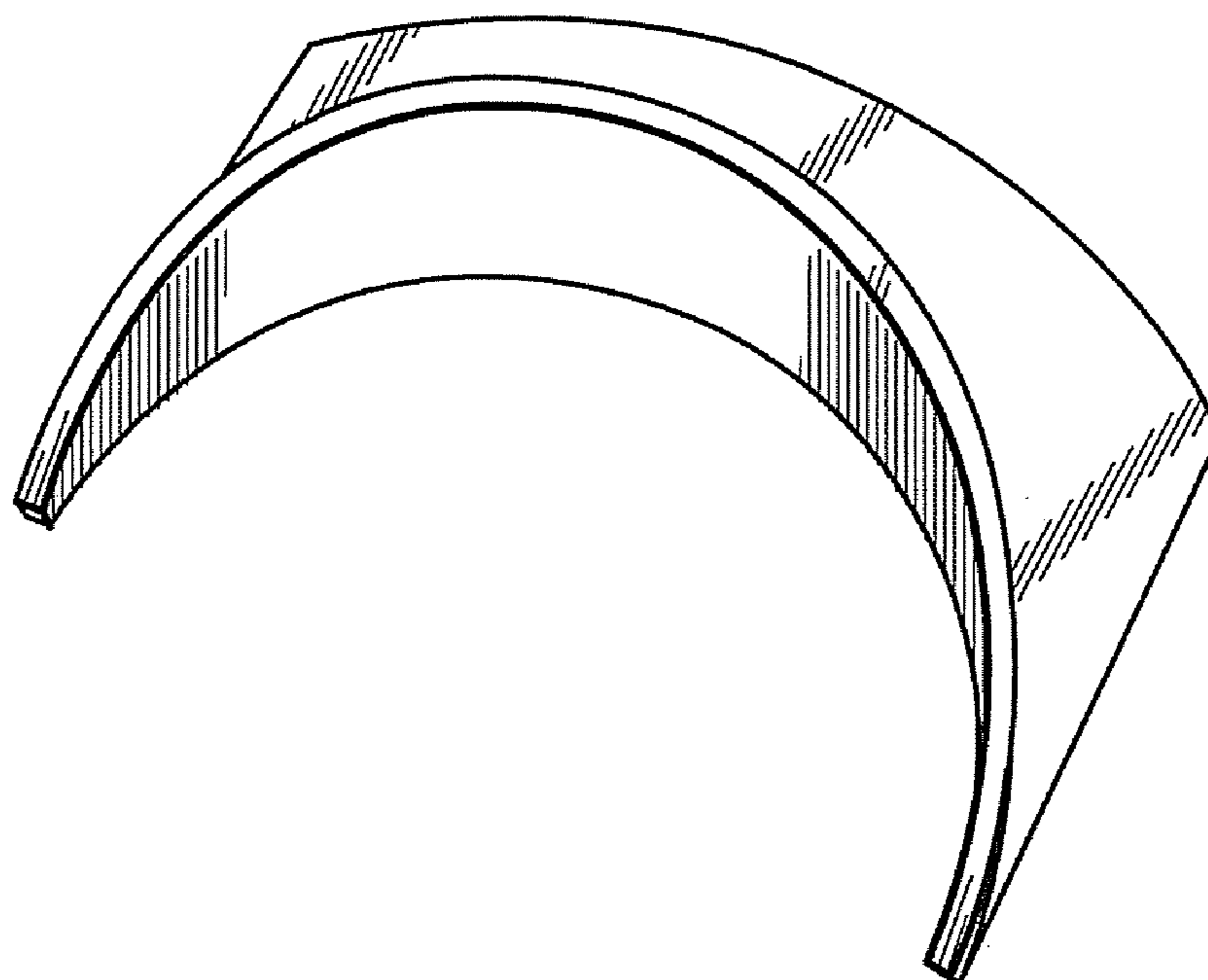
FIG. 5 is a rear elevation view thereof;

FIG. 6 is a left side elevation view thereof;

FIG. 7 is a top plan view thereof; and,

FIG. 8 is a bottom plan view thereof.

1 Claim, 3 Drawing Sheets



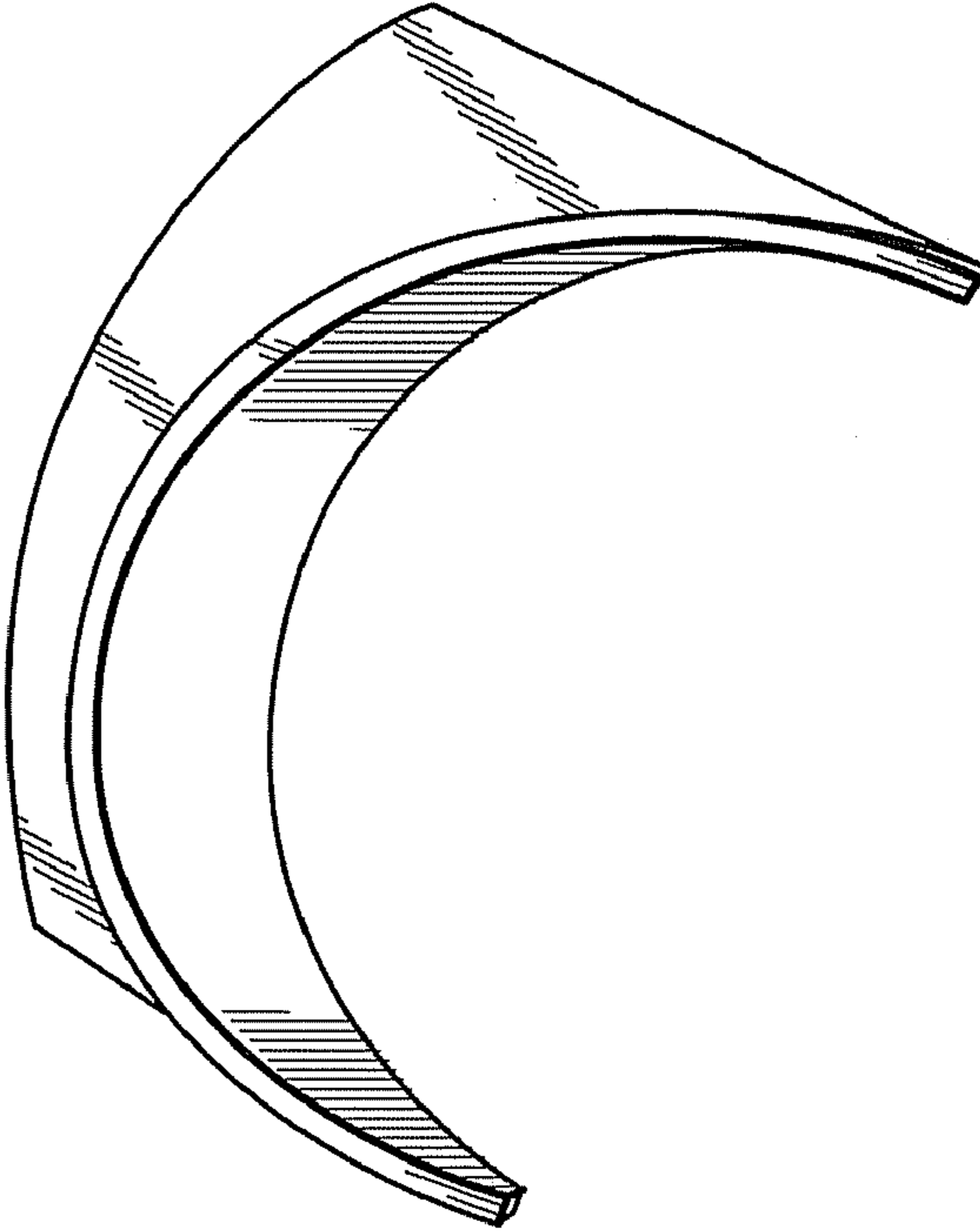


FIG. 2

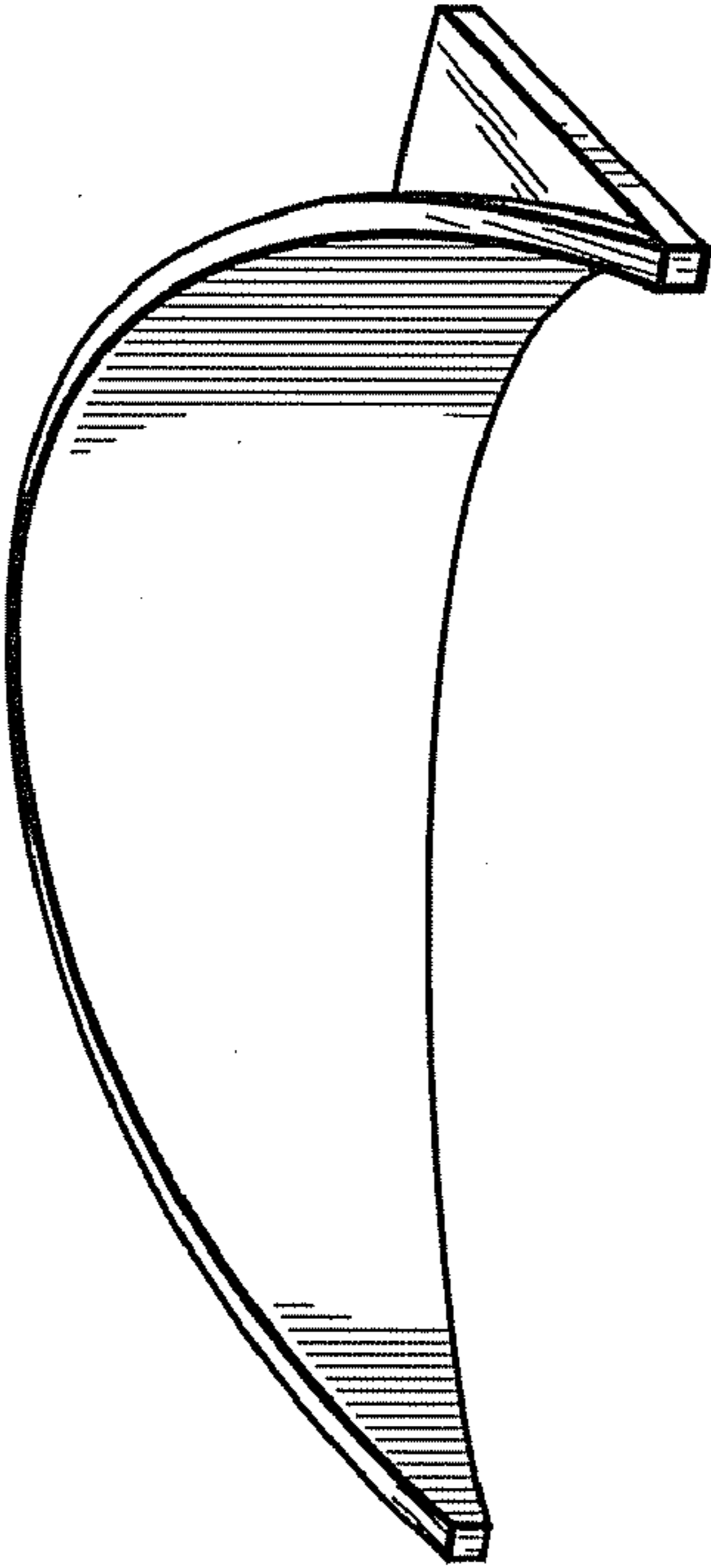


FIG. 1

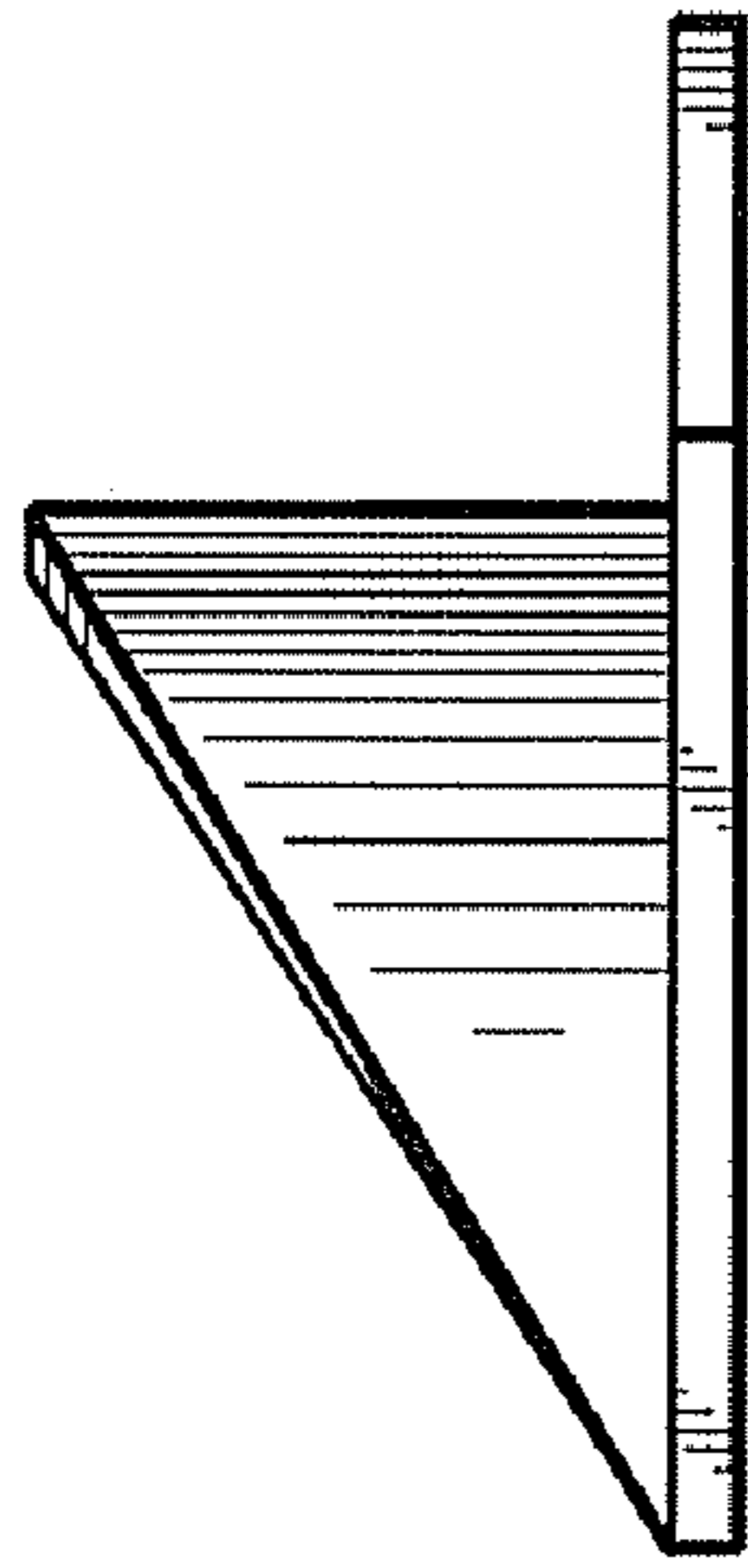


FIG. 4

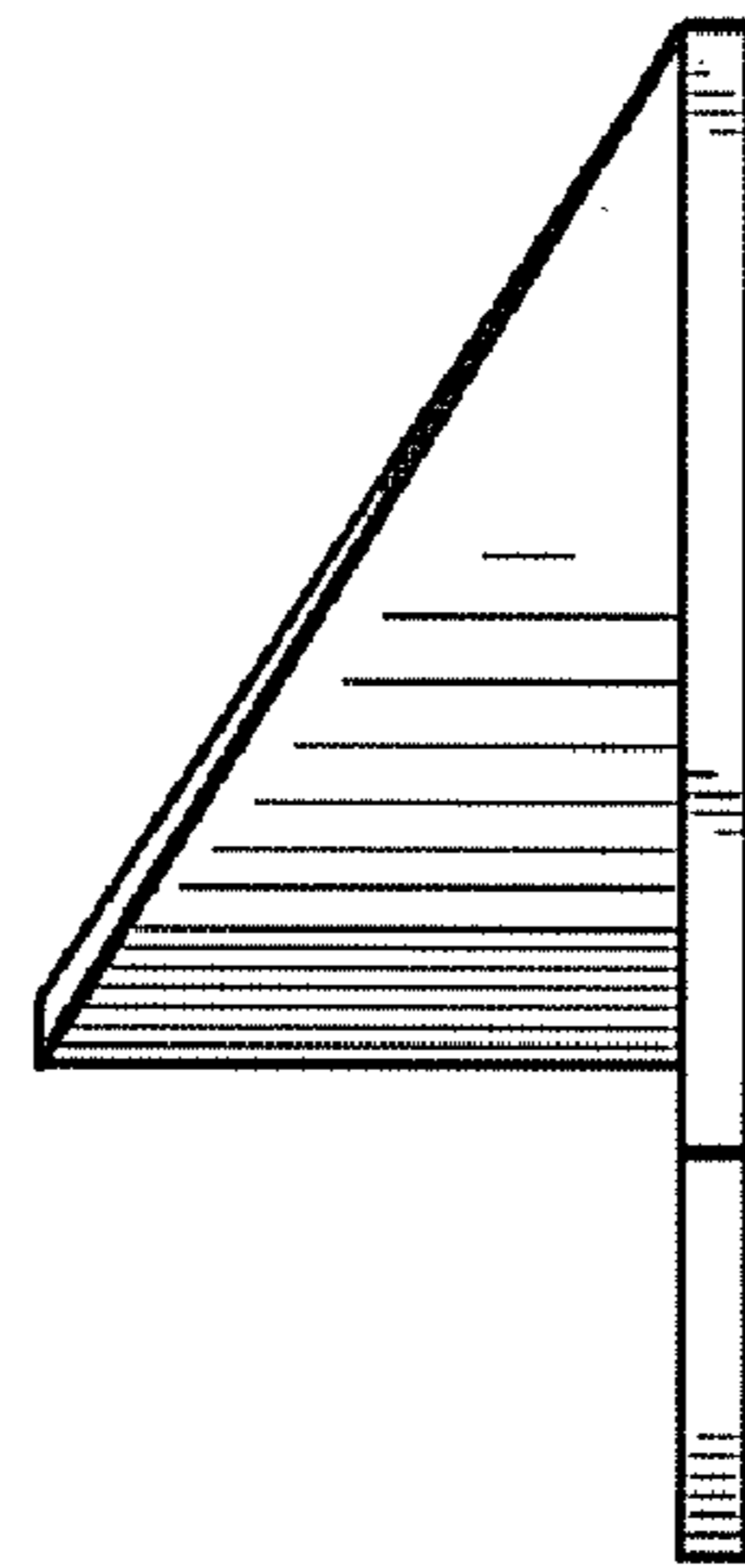


FIG. 6

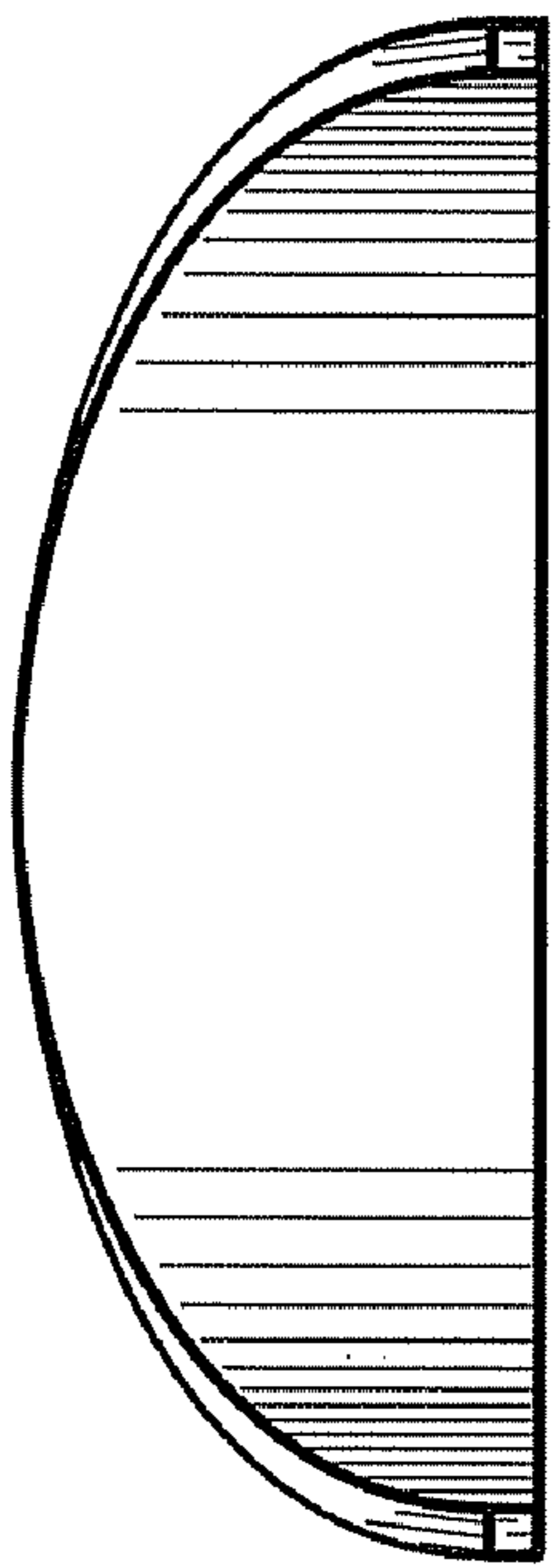


FIG. 3

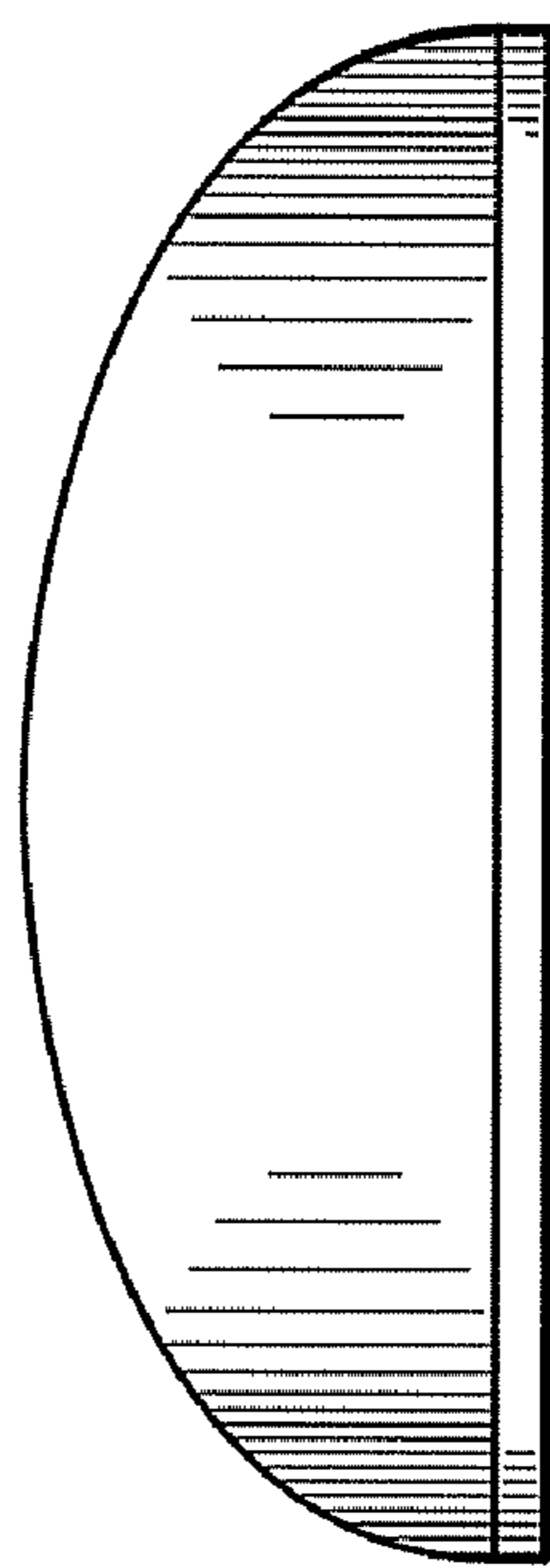


FIG. 5

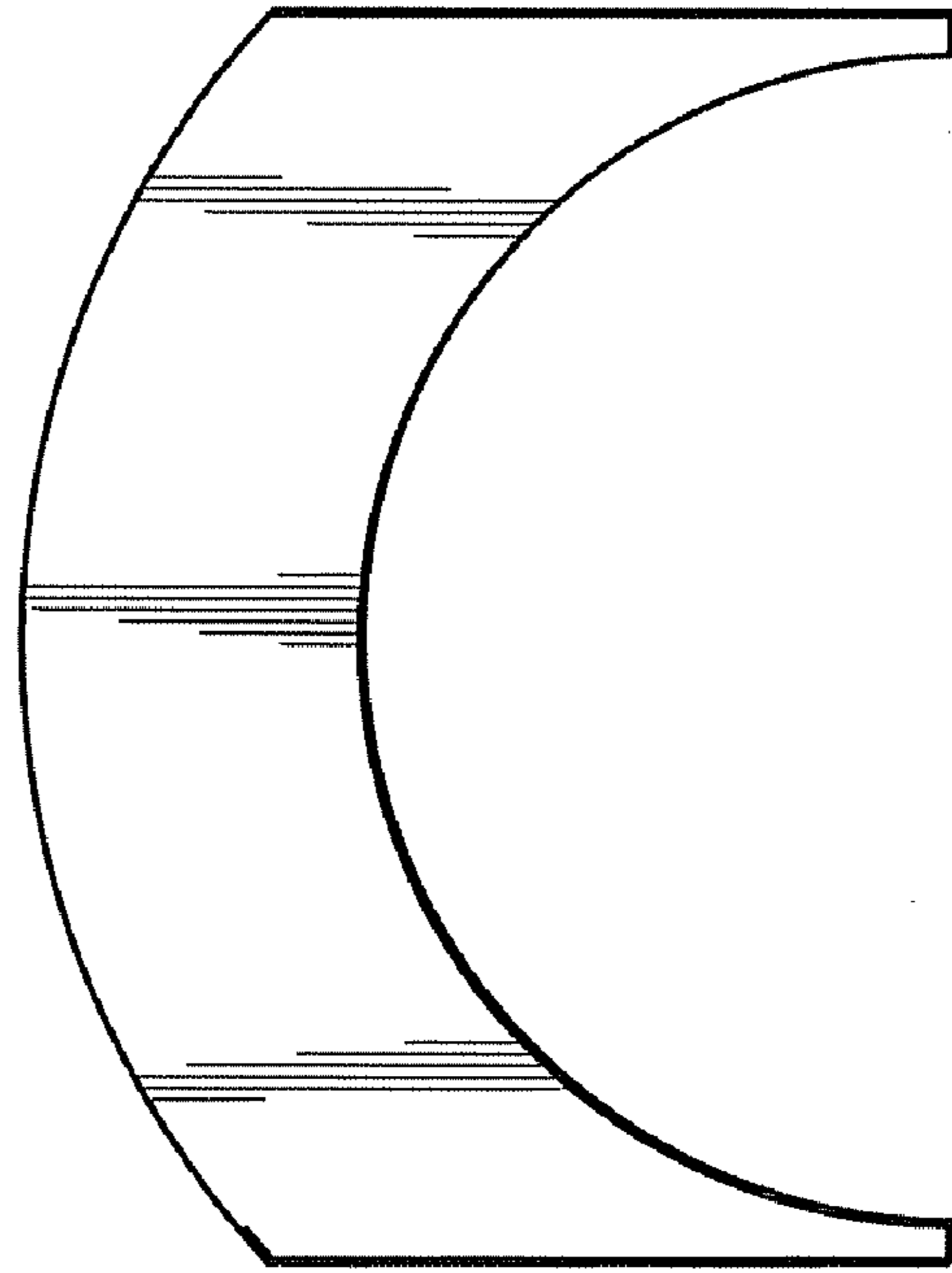


FIG. 7

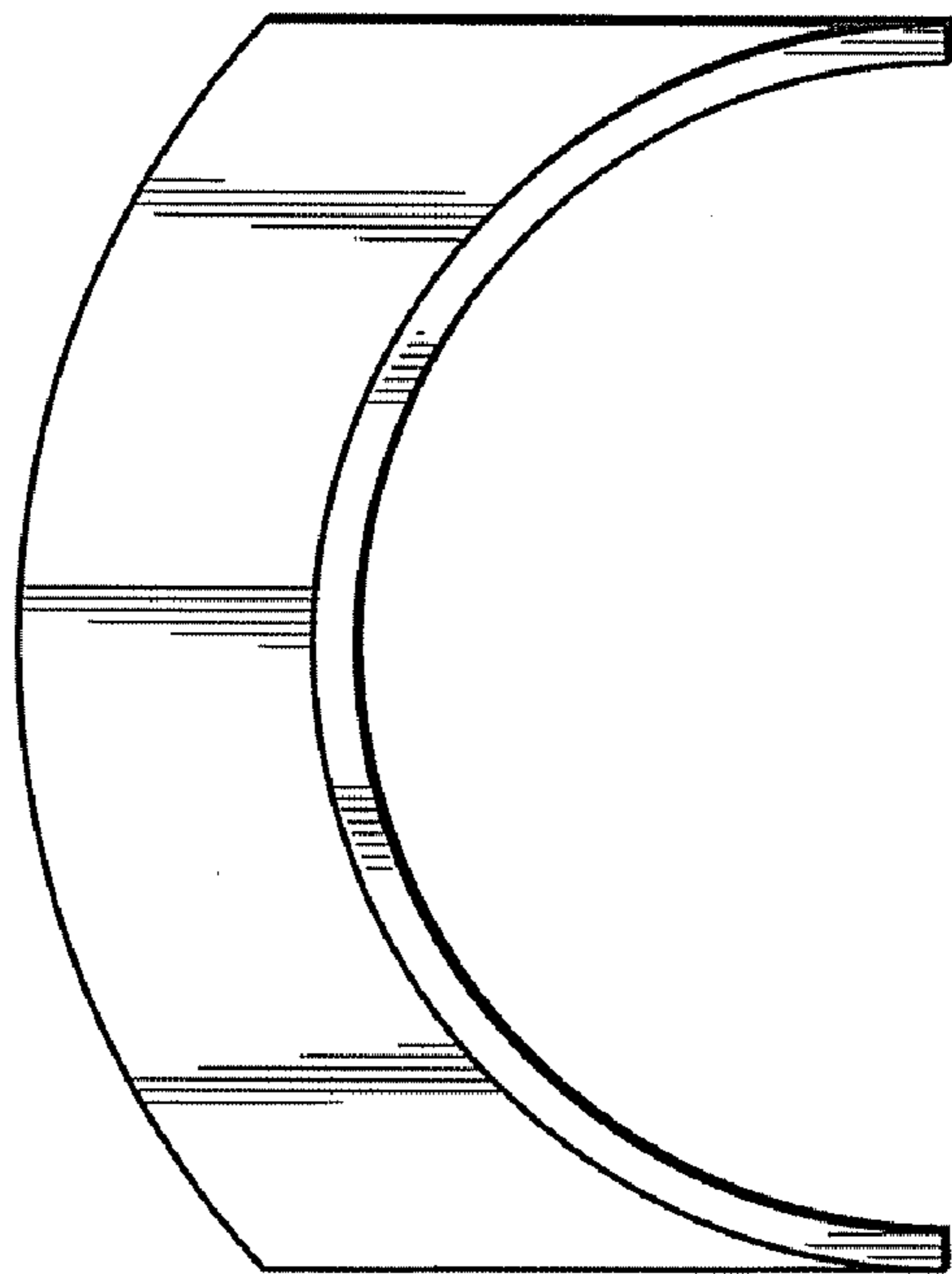


FIG. 8