

US00D568431S

(12) **United States Design Patent**  
**Van Der Hout**

(10) **Patent No.:** **US D568,431 S**

(45) **Date of Patent:** **\*\* \*May 6, 2008**

(54) **GOLF TEE SET**

(76) Inventor: **Jeroen Horst Van Der Hout**,  
Balfreniersweg 28, NL-2171 MX,  
Sassenheim (NL)

(\*) Notice: This patent is subject to a terminal disclaimer.

(\*\*) Term: **14 Years**

(21) Appl. No.: **29/270,524**

(22) Filed: **Dec. 26, 2006**

**Related U.S. Application Data**

(63) Continuation-in-part of application No. 29/264,971,  
filed on Aug. 22, 2006.

(51) **LOC (8) Cl.** ..... **21-02**

(52) **U.S. Cl.** ..... **D21/789; D21/717**

(58) **Field of Classification Search** ..... D21/718,  
D21/789, 796; 206/315.1, 315.3; 224/251,  
224/269, 666, 675, 677

See application file for complete search history.

(56) **References Cited**

**U.S. PATENT DOCUMENTS**

D216,816 S \* 3/1970 Bennett ..... D21/718  
4,993,613 A \* 2/1991 Frisbie ..... 224/251

D476,053 S \* 6/2003 Goserud ..... D21/789  
2004/0262344 A1 \* 12/2004 White ..... 224/269

\* cited by examiner

*Primary Examiner*—Mitchell Siegel  
(74) *Attorney, Agent, or Firm*—Ladas and Parry LLP

(57) **CLAIM**

The ornamental design for a golf tee set, as shown and described.

**DESCRIPTION**

FIG. 1 is a front right side perspective view of the golf tee set of the present design in the expanded condition;

FIG. 2 is a front left side perspective view of the golf tee set in the expanded condition;

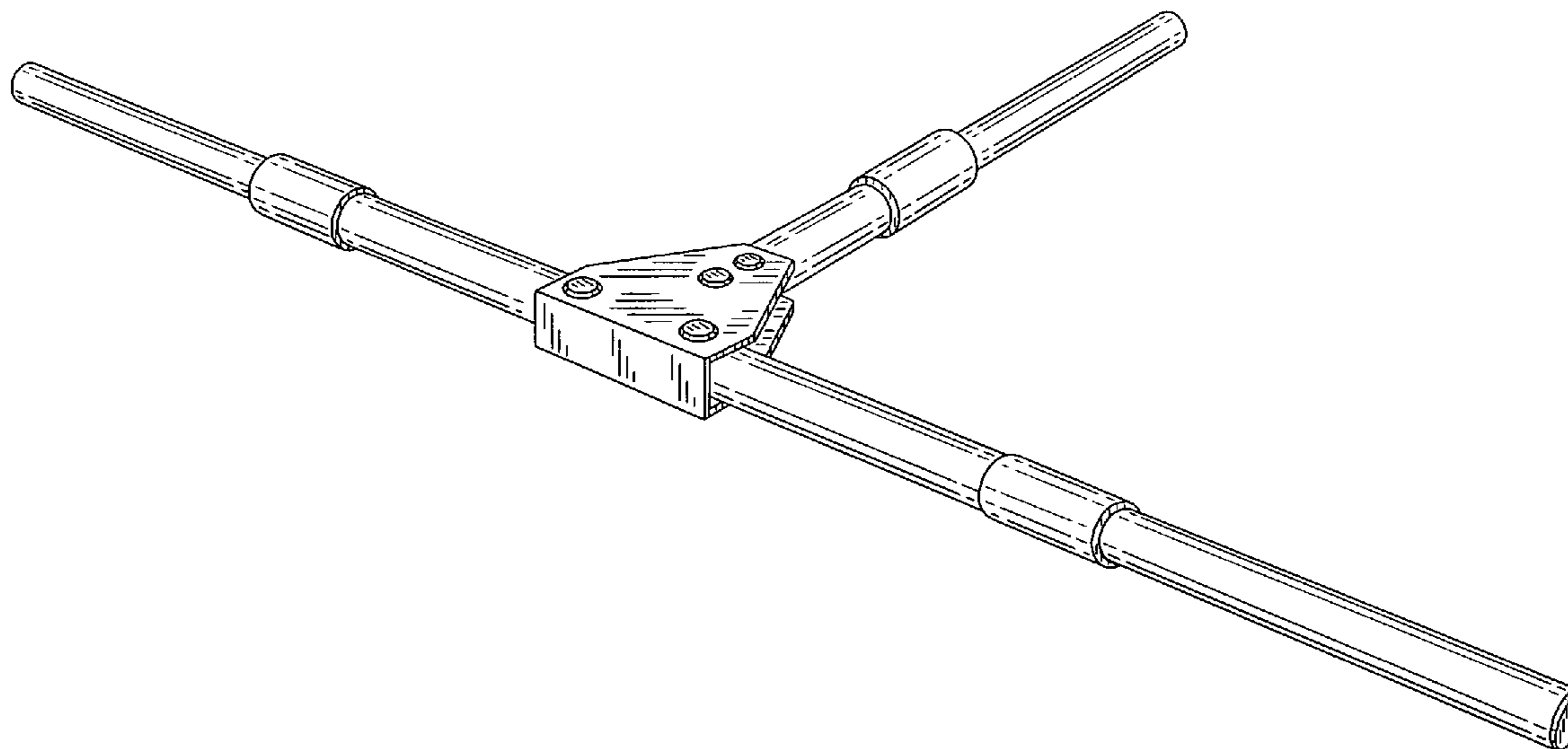
FIG. 3 is a rear perspective view of the golf tee set in the expanded condition;

FIG. 4. is left side elevational view the golf tee set in the retracted position for carrying, the right elevational view being a mirror image and therefore not shown;

FIG. 5 is a front elevational view of the golf tee set in the expanded condition; and,

FIG. 6 is a front elevational view the golf tee set in the retracted position for carrying, the rear elevational view being a mirror image and therefore not shown.

**1 Claim, 4 Drawing Sheets**



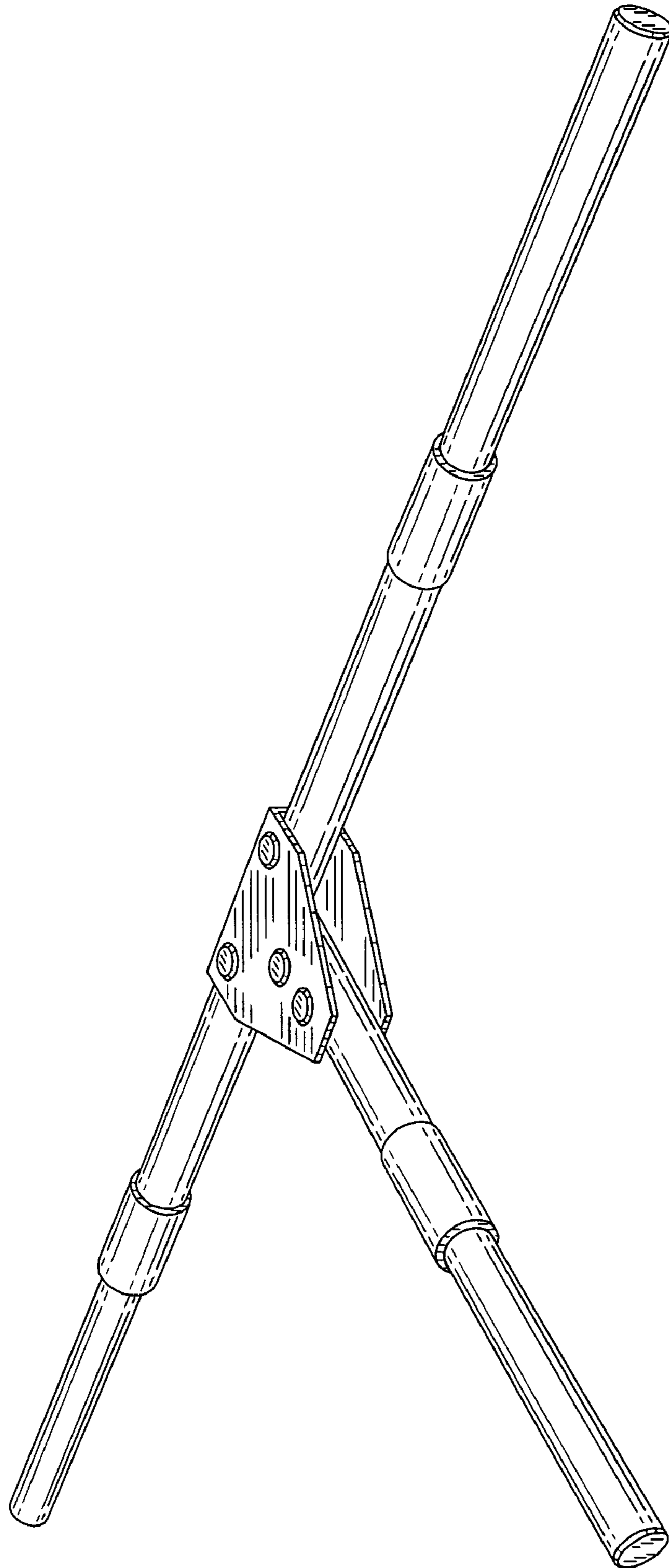


FIG. 1

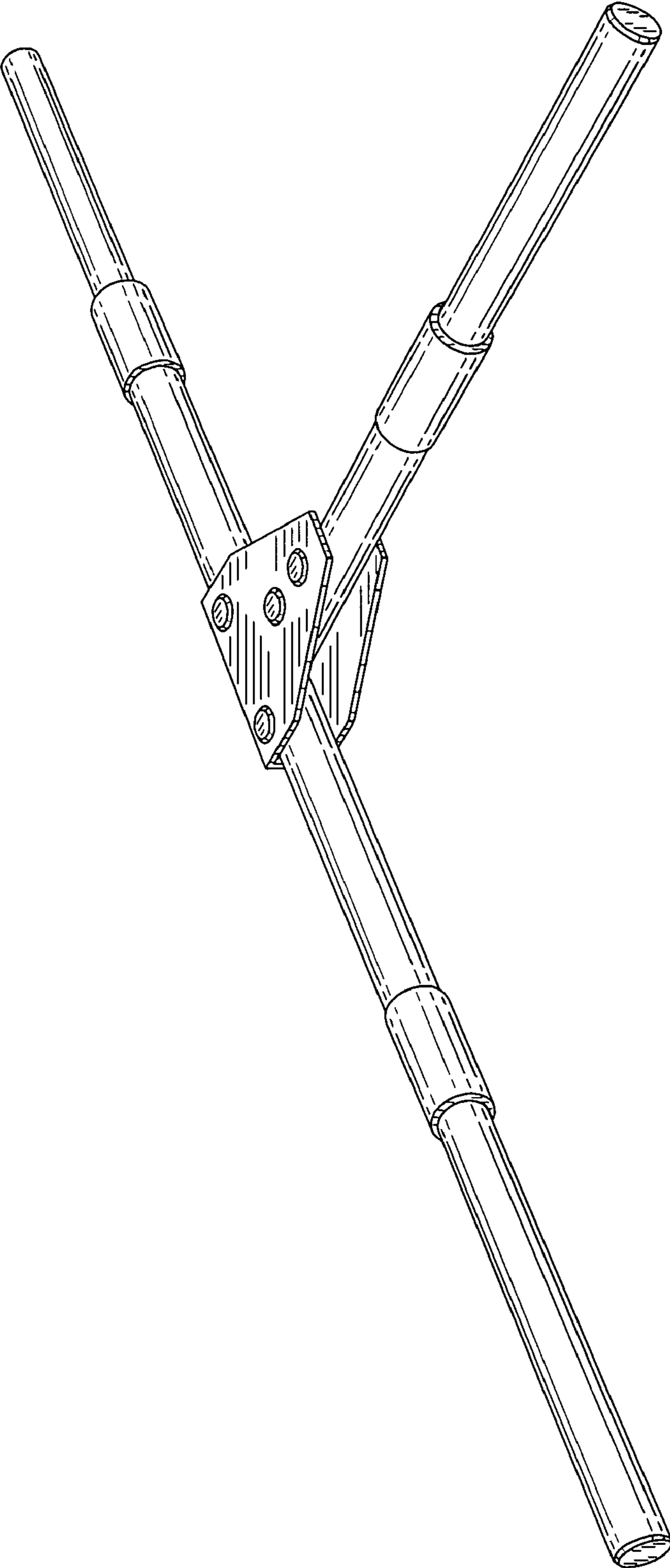


FIG. 2

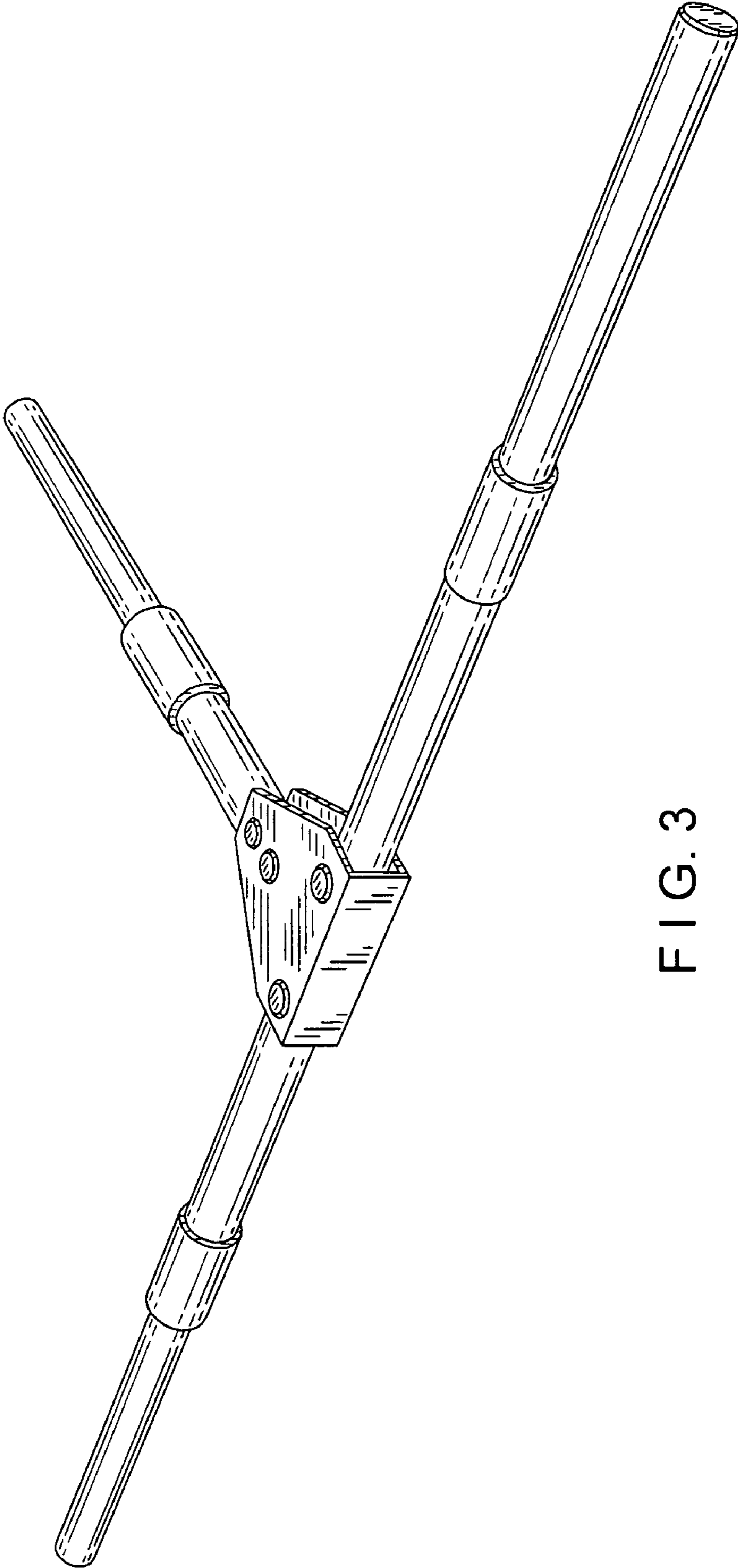


FIG. 3

FIG. 5

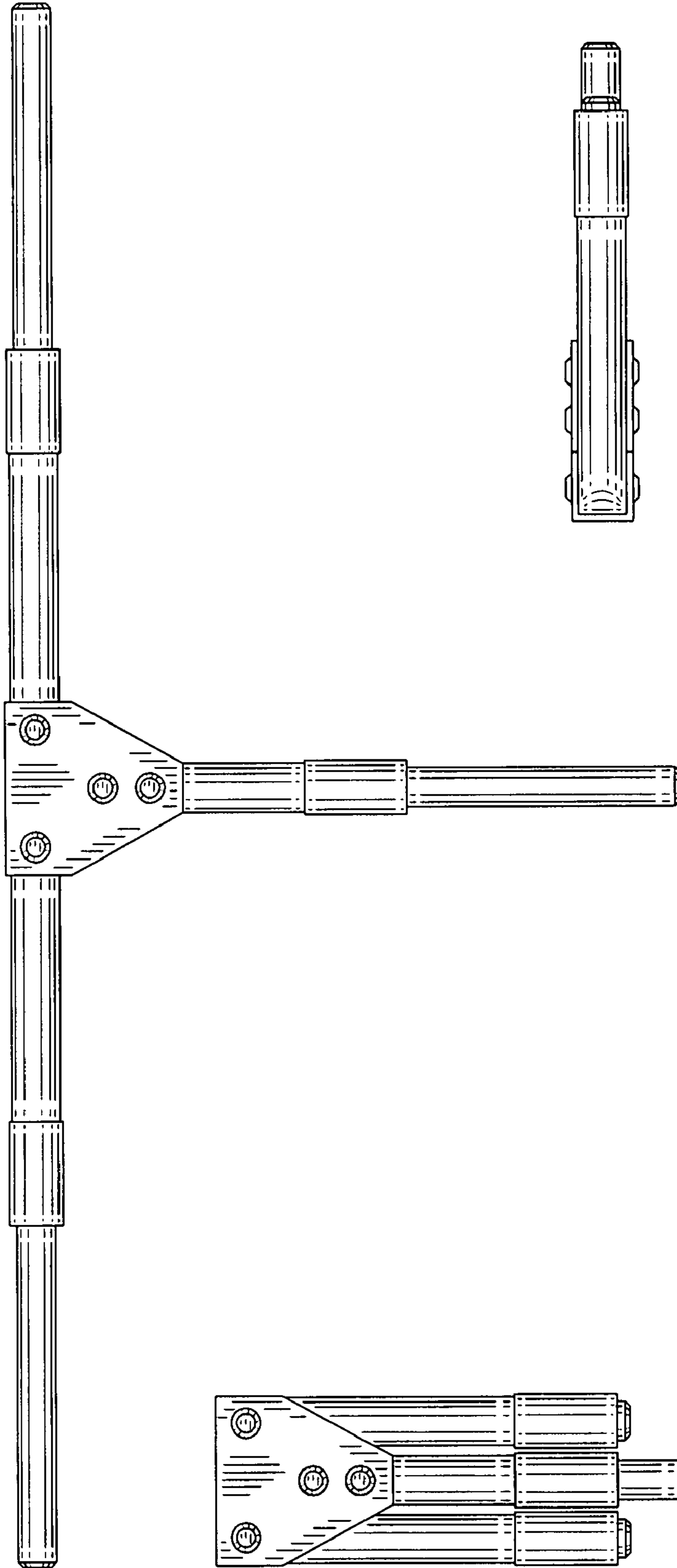


FIG. 4

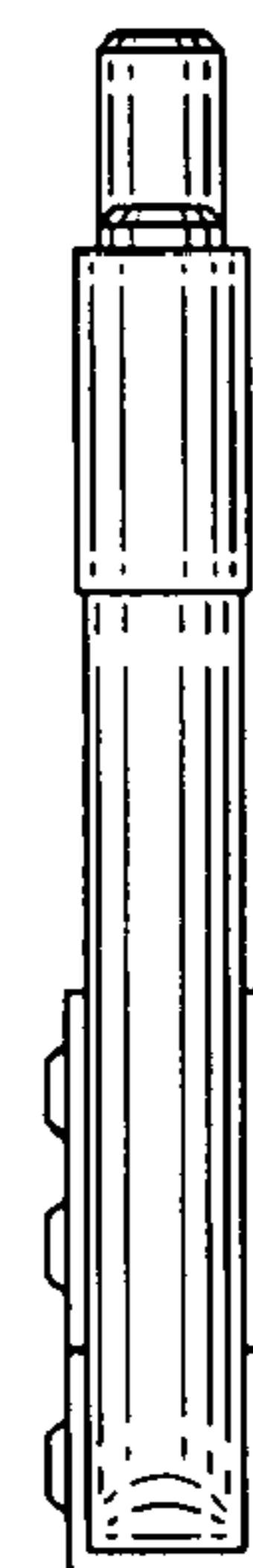


FIG. 6

