



US00D568427S

(12) **United States Design Patent**
Nguyen et al.

(10) **Patent No.:** **US D568,427 S**

(45) **Date of Patent:** **** May 6, 2008**

(54) **GOLF CLUB HEAD**

FOREIGN PATENT DOCUMENTS

(75) Inventors: **Vinh-Duy Thai Nguyen**, Lake Forest, CA (US); **David L. Walker**, Lake Forest, CA (US); **Yasushi Ichikawa**, Lake Forest, CA (US)

JP	9-70457 A	3/1997
JP	10-179824 A	7/1998
JP	2005-287534 A	10/2005
JP	2003-93560 A	5/2006

(73) Assignee: **Bridgestone Sports Co., Ltd.**, Tokyo (JP)

* cited by examiner

(**) Term: **14 Years**

Primary Examiner—Mitchell Siegel
(74) *Attorney, Agent, or Firm*—Paul, Hastings, Janofsky & Walker LLP

(21) Appl. No.: **29/250,823**

(57) **CLAIM**

(22) Filed: **Dec. 1, 2006**

The ornamental design for a golf club head, as shown and described.

(51) **LOC (8) Cl.** **21-02**

(52) **U.S. Cl.** **D21/743**

(58) **Field of Classification Search** D21/736–746, D21/759; 473/324–331, 340–341, 251–256
See application file for complete search history.

DESCRIPTION

FIG. 1 is a perspective view of the golf club head;
FIG. 2 is a front elevational view of the golf club head.
FIG. 3 is a rear elevational view of the golf club head;
FIG. 4 is a left side elevational view of the golf club head;
FIG. 5 is a right side elevational view of the golf club head;
FIG. 6 is a top view of the golf club head; and,
FIG. 7 is a bottom view of the golf club head.

(56) **References Cited**

U.S. PATENT DOCUMENTS

D257,869 S	*	1/1981	MacDougall	D21/739
D257,870 S		1/1981	MacDougall		
D268,691 S	*	4/1983	Collins	D21/739
D388,853 S	*	1/1998	Minami	D21/745
D402,724 S	*	12/1998	Minami	D21/743

1 Claim, 4 Drawing Sheets

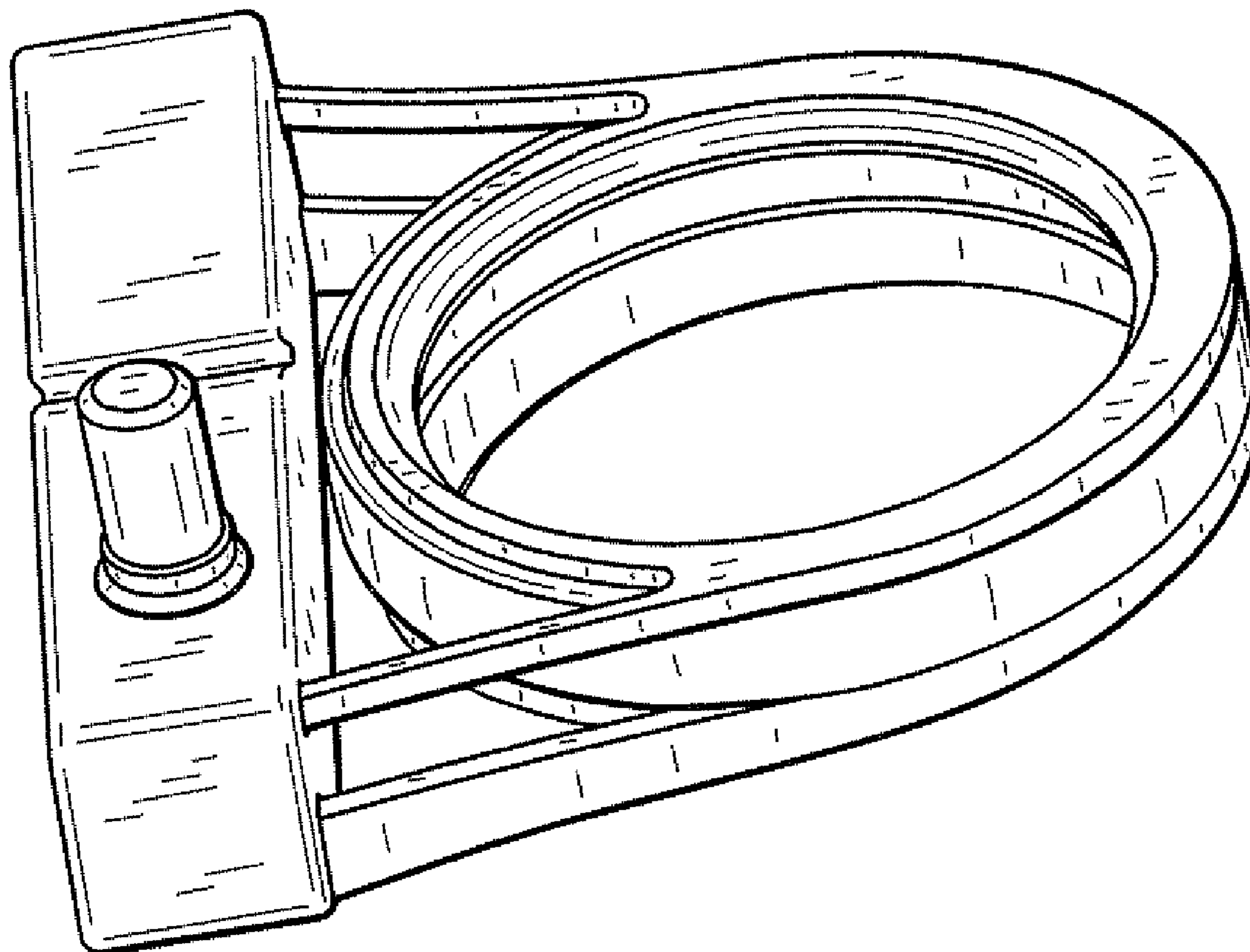


FIG. 1

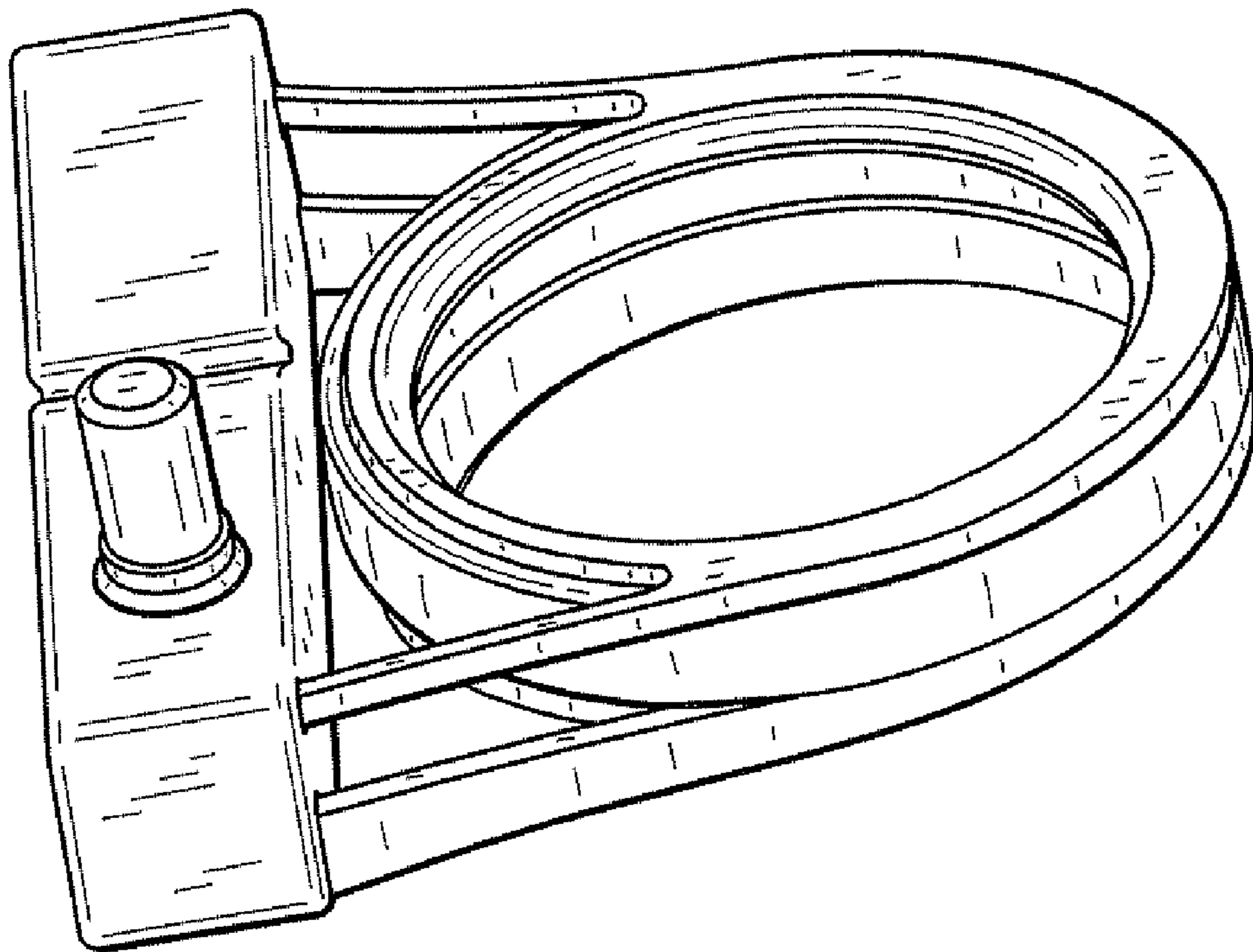


FIG. 2

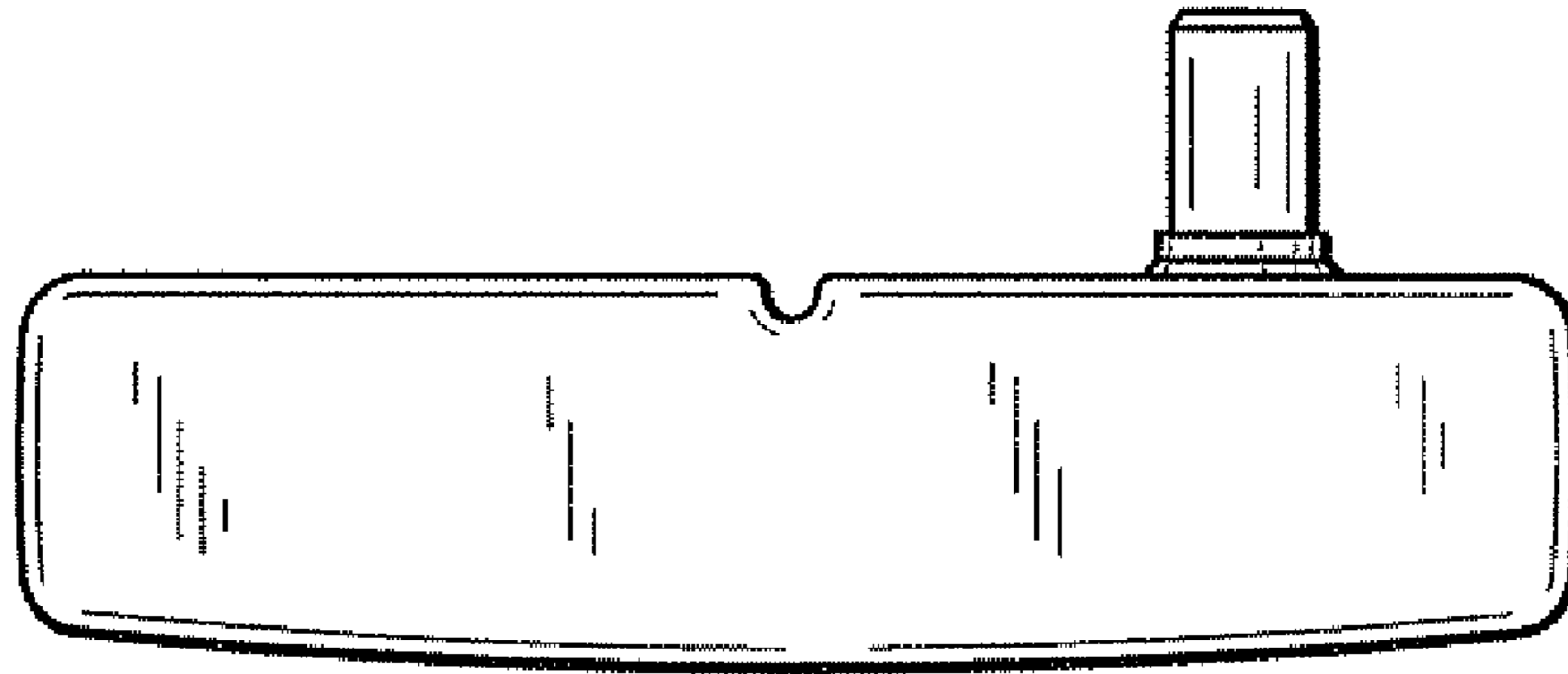


FIG. 3

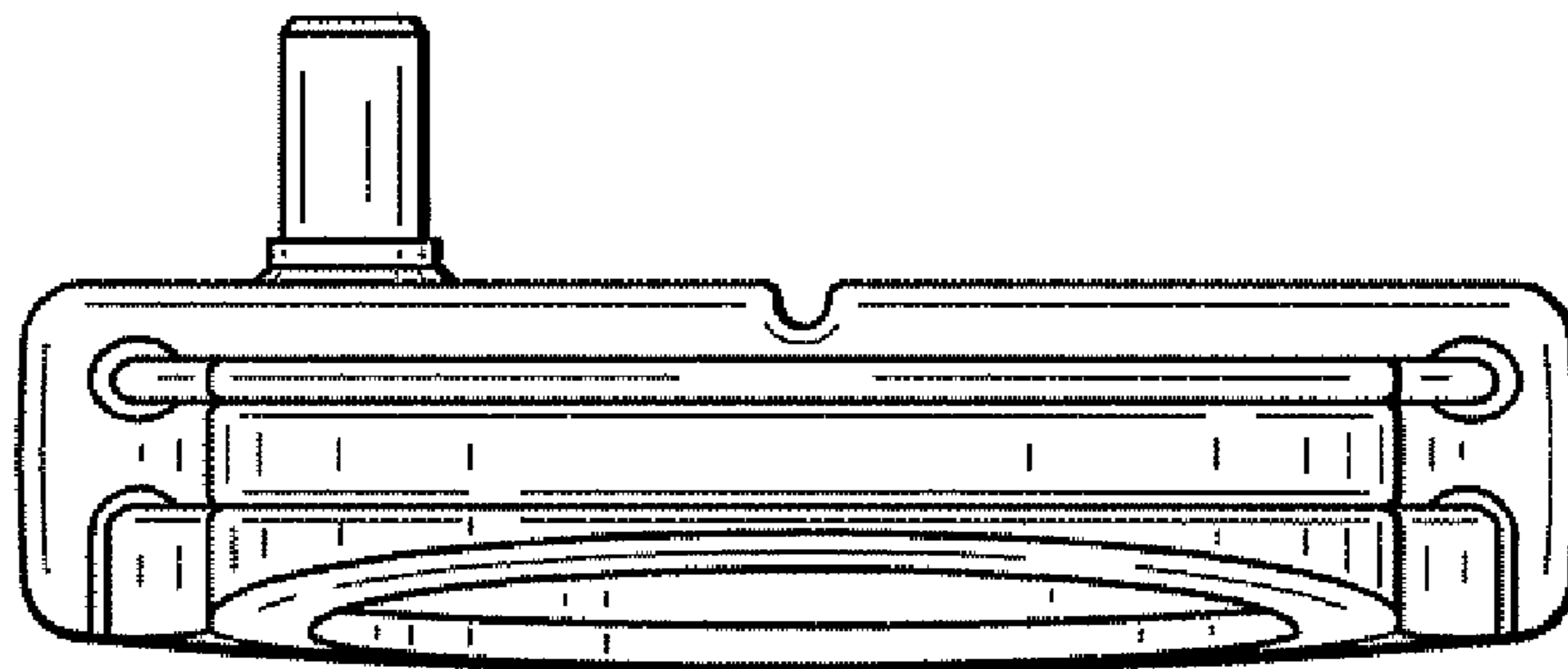


FIG. 4

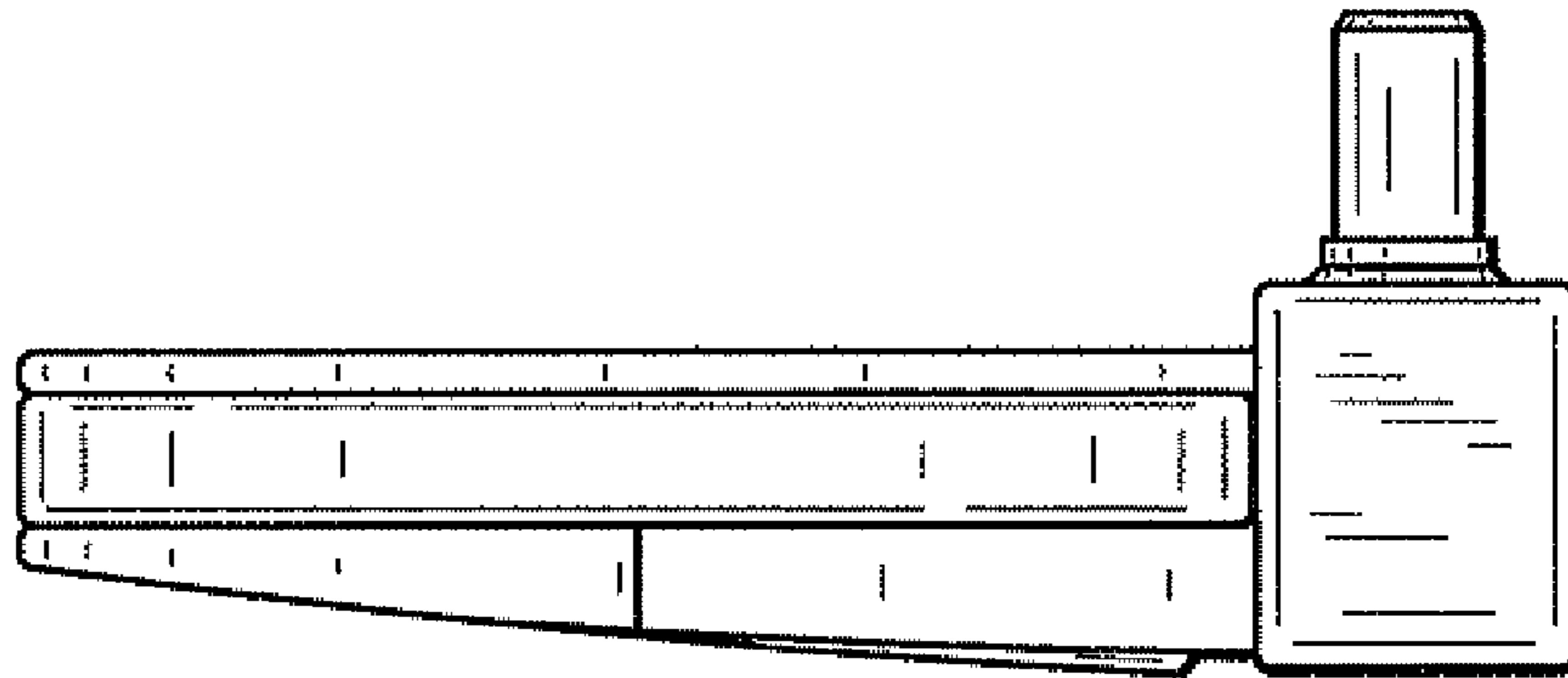


FIG. 5



FIG. 6

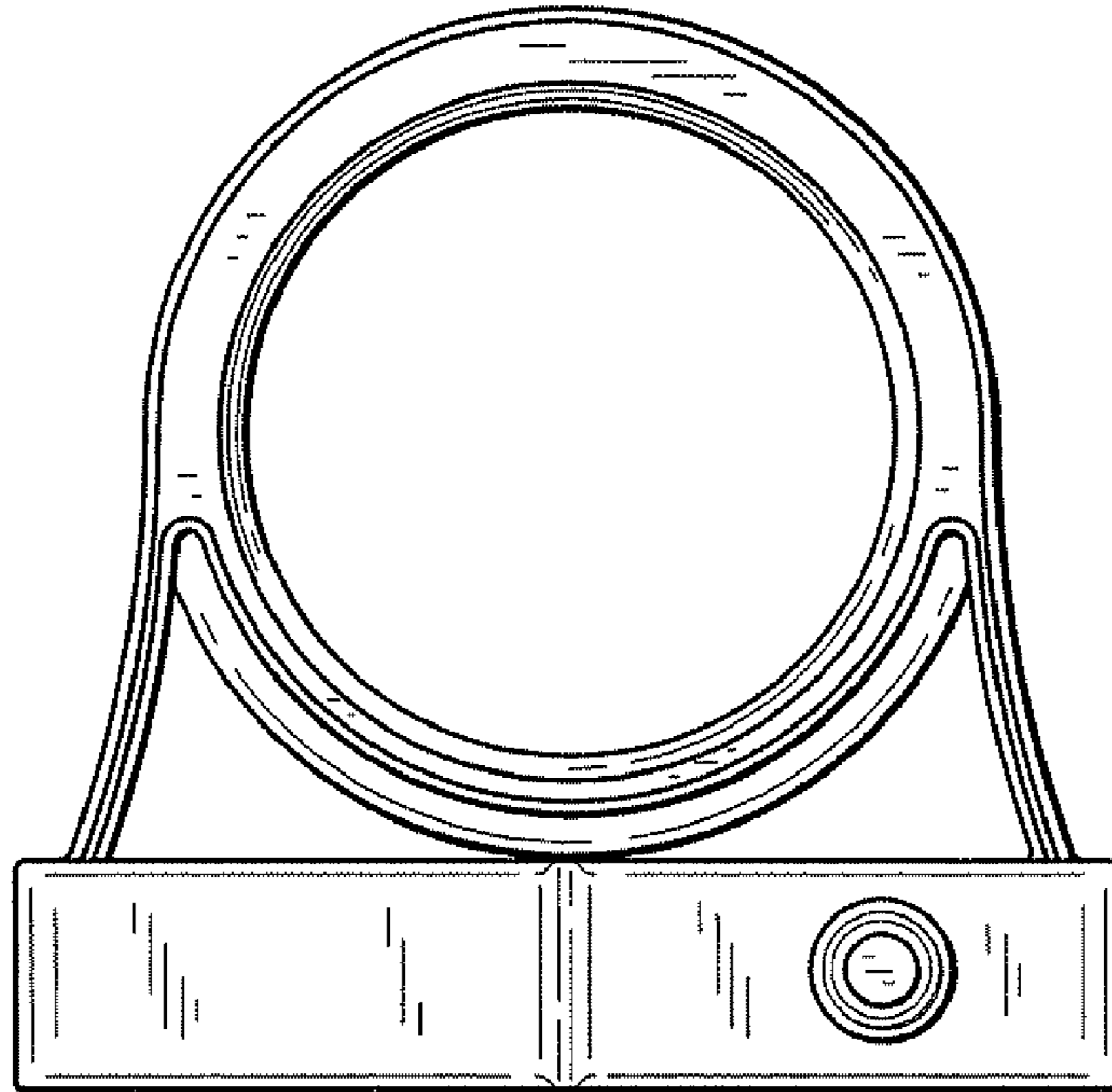


FIG. 7

