

US00D568420S

(12) **United States Design Patent**
Hamasaki

(10) **Patent No.:** **US D568,420 S**

(45) **Date of Patent:** **** May 6, 2008**

(54) **WIRELESS STEERING DEVICE FOR A RADIO CONTROLLED TOY**

(75) Inventor: **Takashi Hamasaki**, Kanagawa Prefecture (JP)

(73) Assignee: **Kyosho Corporation**, Tokyo (JP)

(**) Term: **14 Years**

(21) Appl. No.: **29/274,815**

(22) Filed: **May 29, 2007**

(30) **Foreign Application Priority Data**

Jan. 31, 2007 (JP) 2007-001951

(51) **LOC (8) Cl.** **21-01**

(52) **U.S. Cl.** **D21/566**

(58) **Field of Classification Search** D21/566, D21/331, 324, 333; D14/217, 218, 400, D14/401; D13/168; 463/6, 7, 37-39, 46, 463/47; 446/454-456

See application file for complete search history.

(56) **References Cited**

U.S. PATENT DOCUMENTS

- D322,297 S * 12/1991 Kohno D21/566
- D342,297 S * 12/1993 Kouno D21/566
- D344,553 S * 2/1994 Arai D21/566
- D374,694 S * 10/1996 Arai D21/566
- D395,472 S * 6/1998 Kanetsuna et al. D21/566

- D397,169 S * 8/1998 Kanetsuna et al. D21/453
- D447,778 S * 9/2001 Bao D21/566
- D471,603 S * 3/2003 Morita et al. D21/566
- D514,172 S * 1/2006 Jinno et al. D21/566
- D517,129 S * 3/2006 Yamamoto et al. D21/566
- D521,573 S * 5/2006 Jinno et al. D21/566

* cited by examiner

Primary Examiner—Holly H. Baynham

Assistant Examiner—Cynthia M. Chin

(74) *Attorney, Agent, or Firm*—Nixon & Vanderhye P.C.

(57) **CLAIM**

The ornamental design for a “wireless steering device for a radio controlled toy,” as shown and described.

DESCRIPTION

FIG. 1 is a front perspective view of a wireless steering device for a radio controlled toy which embodies my new and original design therefore;

FIG. 2 is a rear perspective view of thereof;

FIG. 3 is front elevation view thereof;

FIG. 4 is a top plan view thereof;

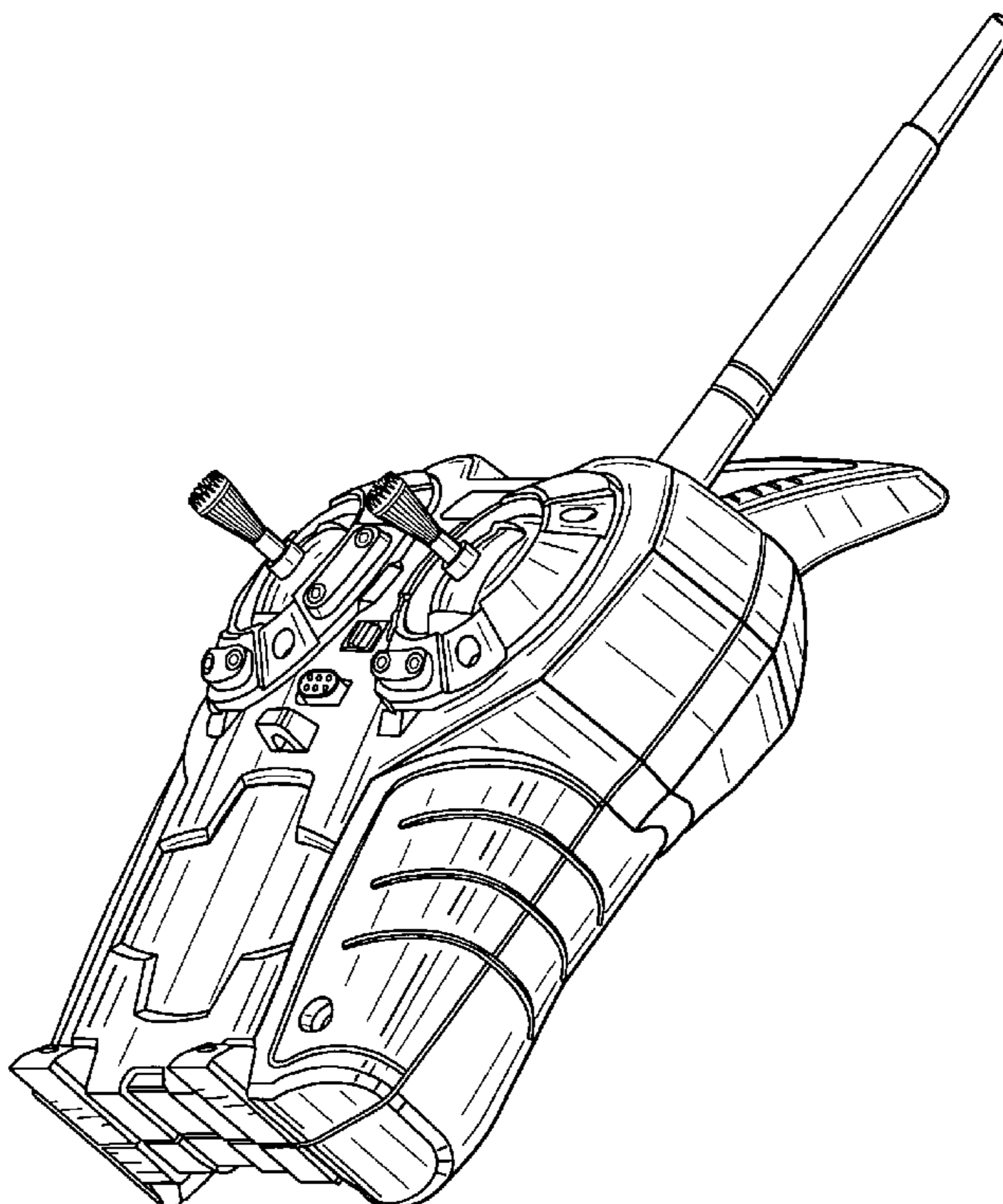
FIG. 5 is a rear elevation view thereof;

FIG. 6 is a bottom plan view thereof;

FIG. 7 is a left side elevation view thereof; and,

FIG. 8 is a right side elevation view thereof.

1 Claim, 7 Drawing Sheets



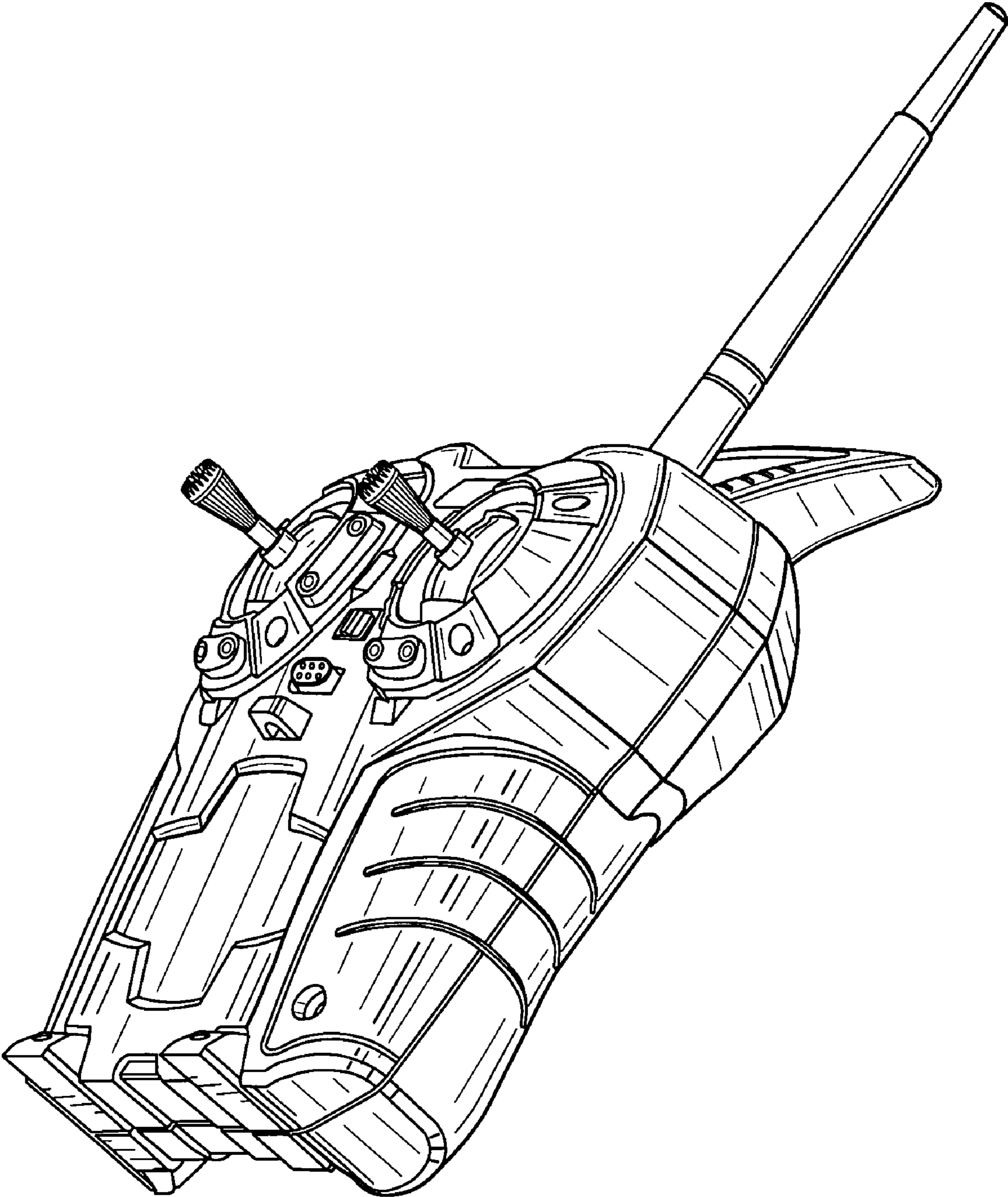


FIG. 1

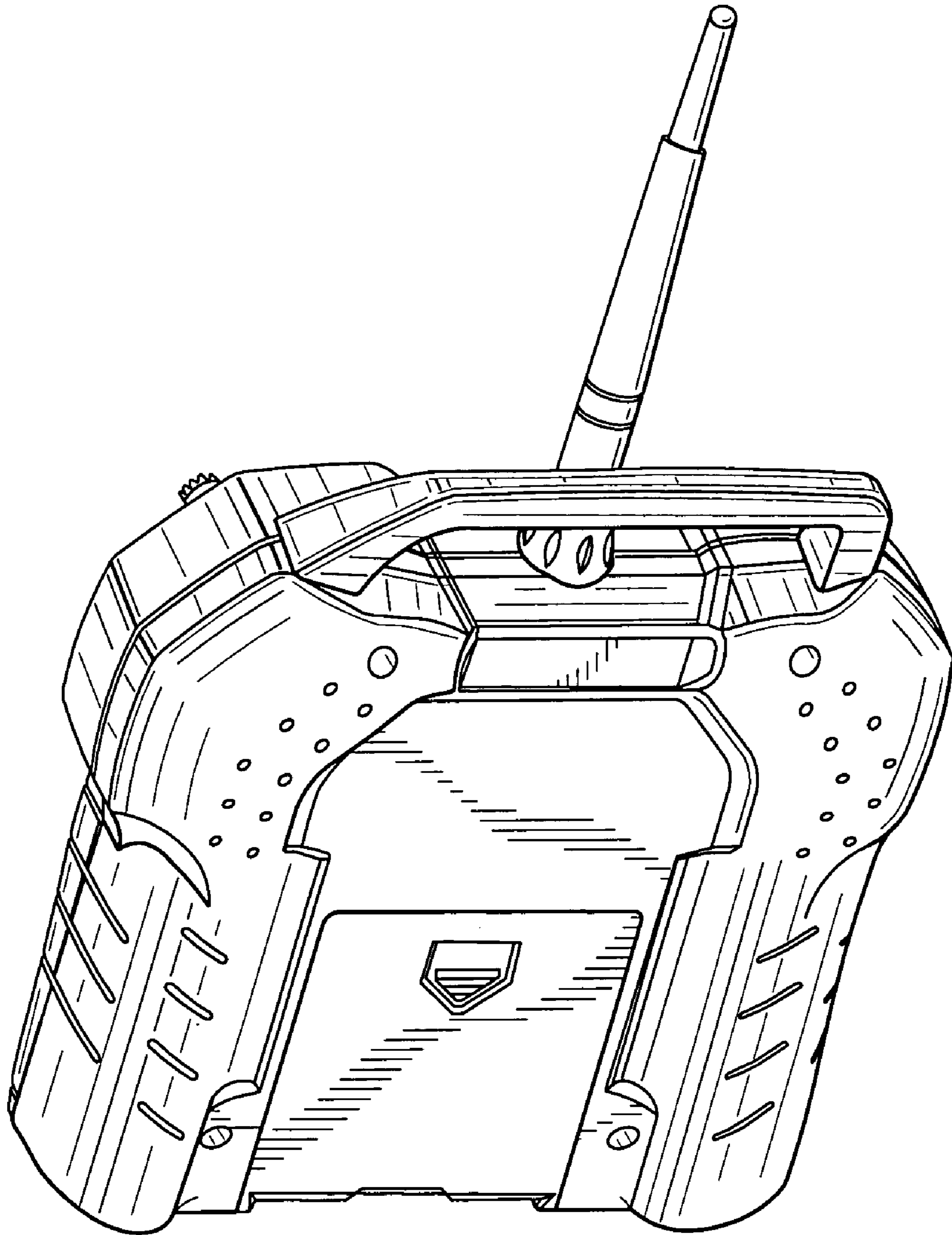


FIG. 2

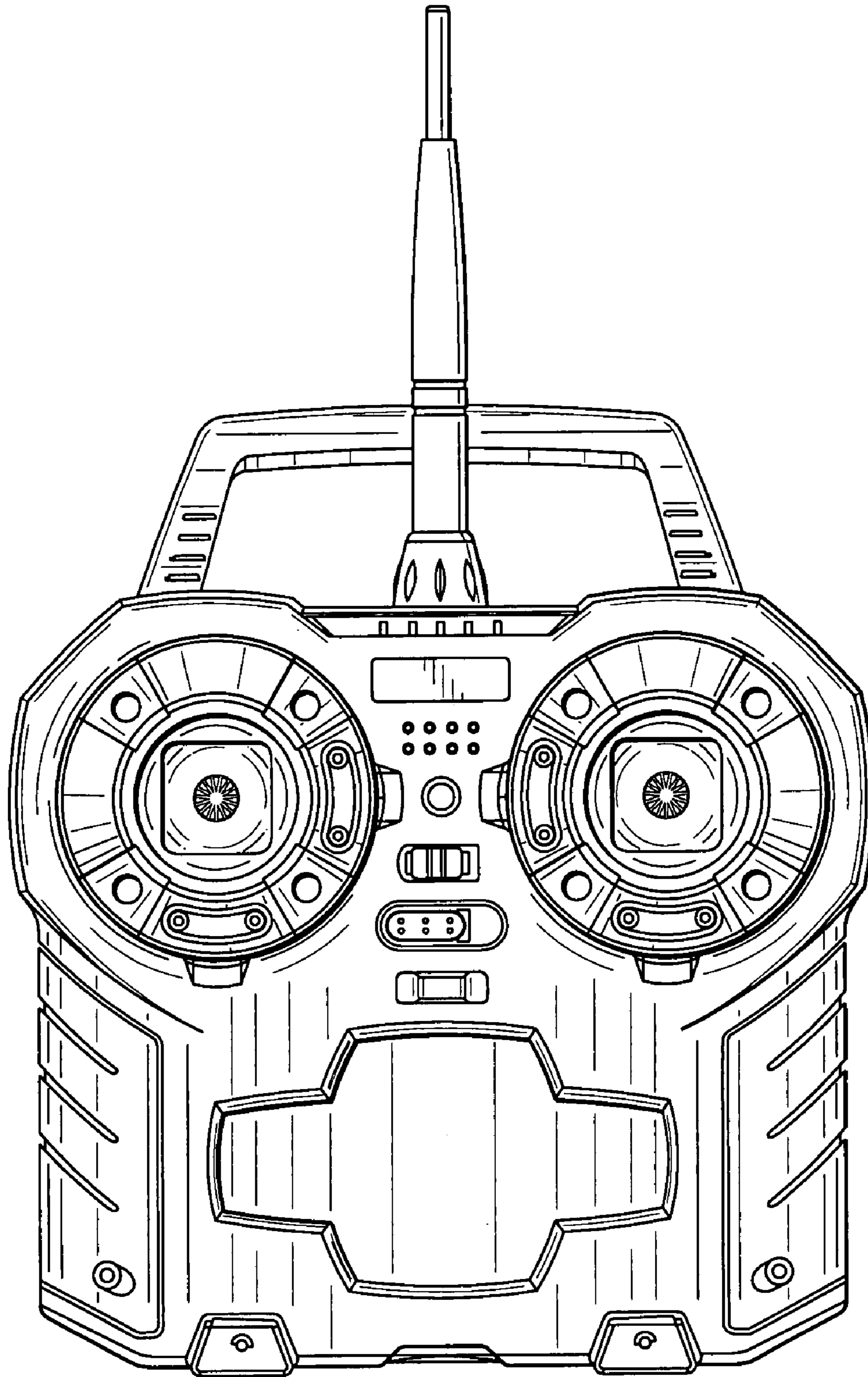


FIG. 3

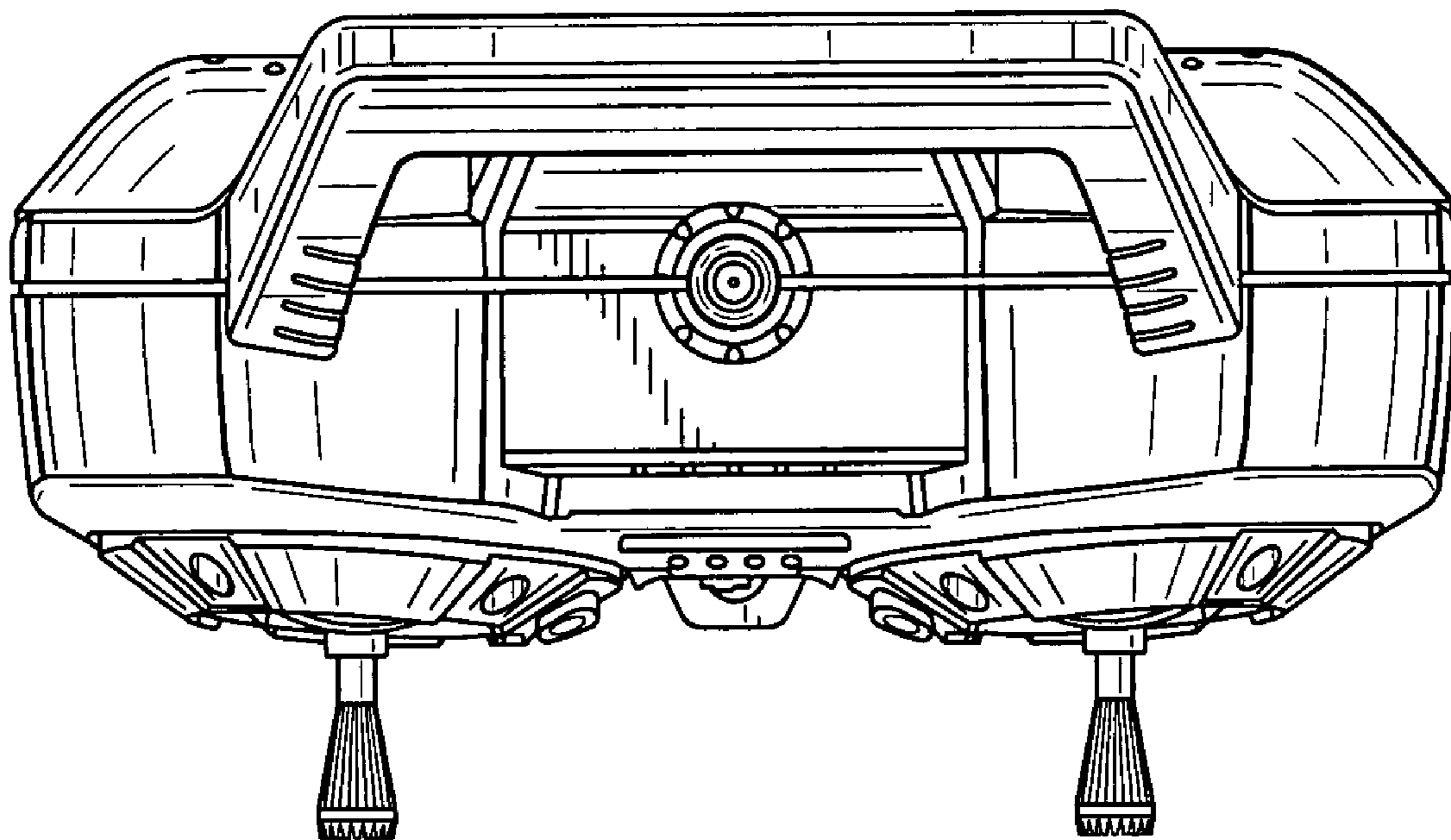


FIG. 4

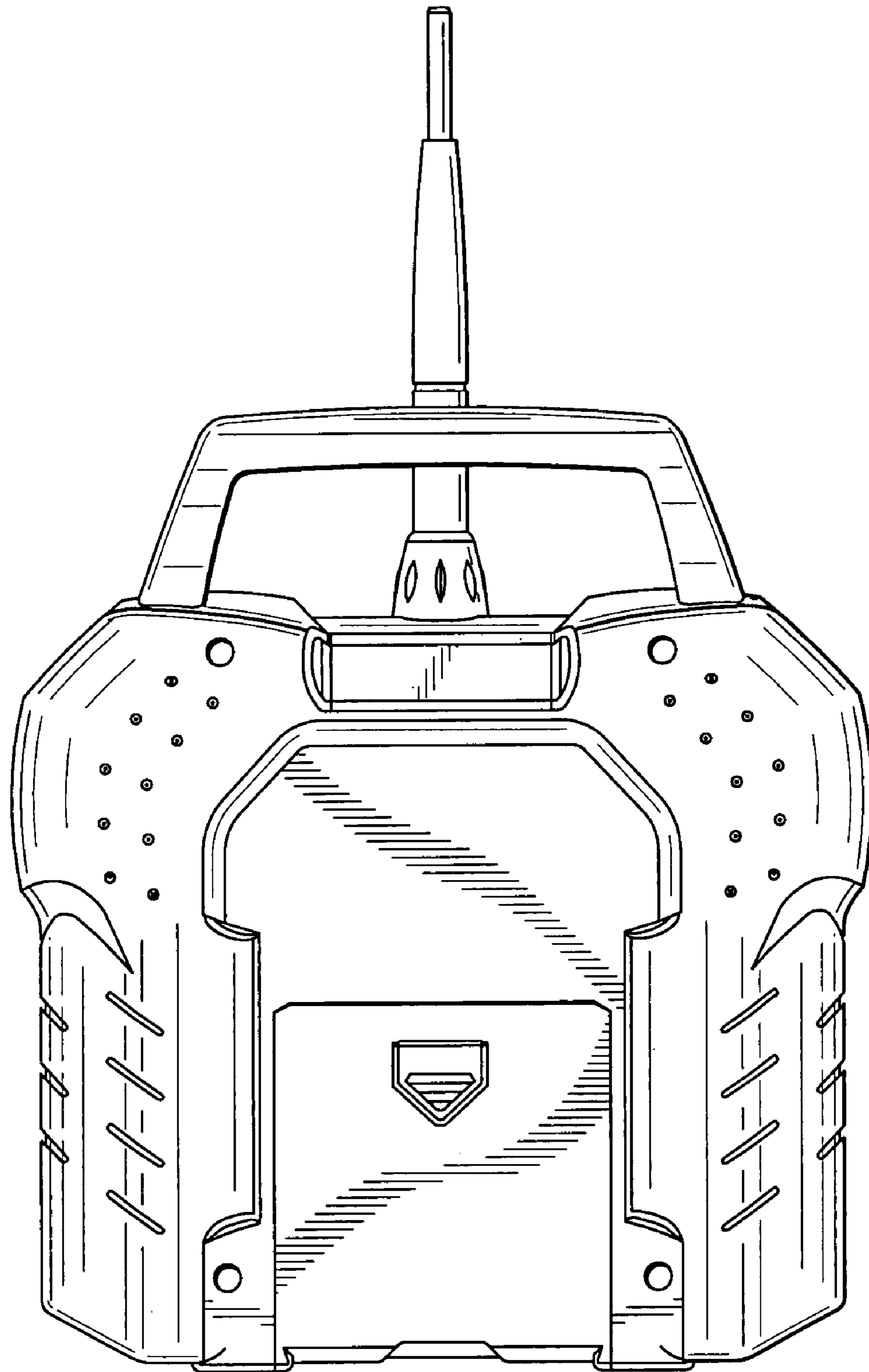


FIG. 5

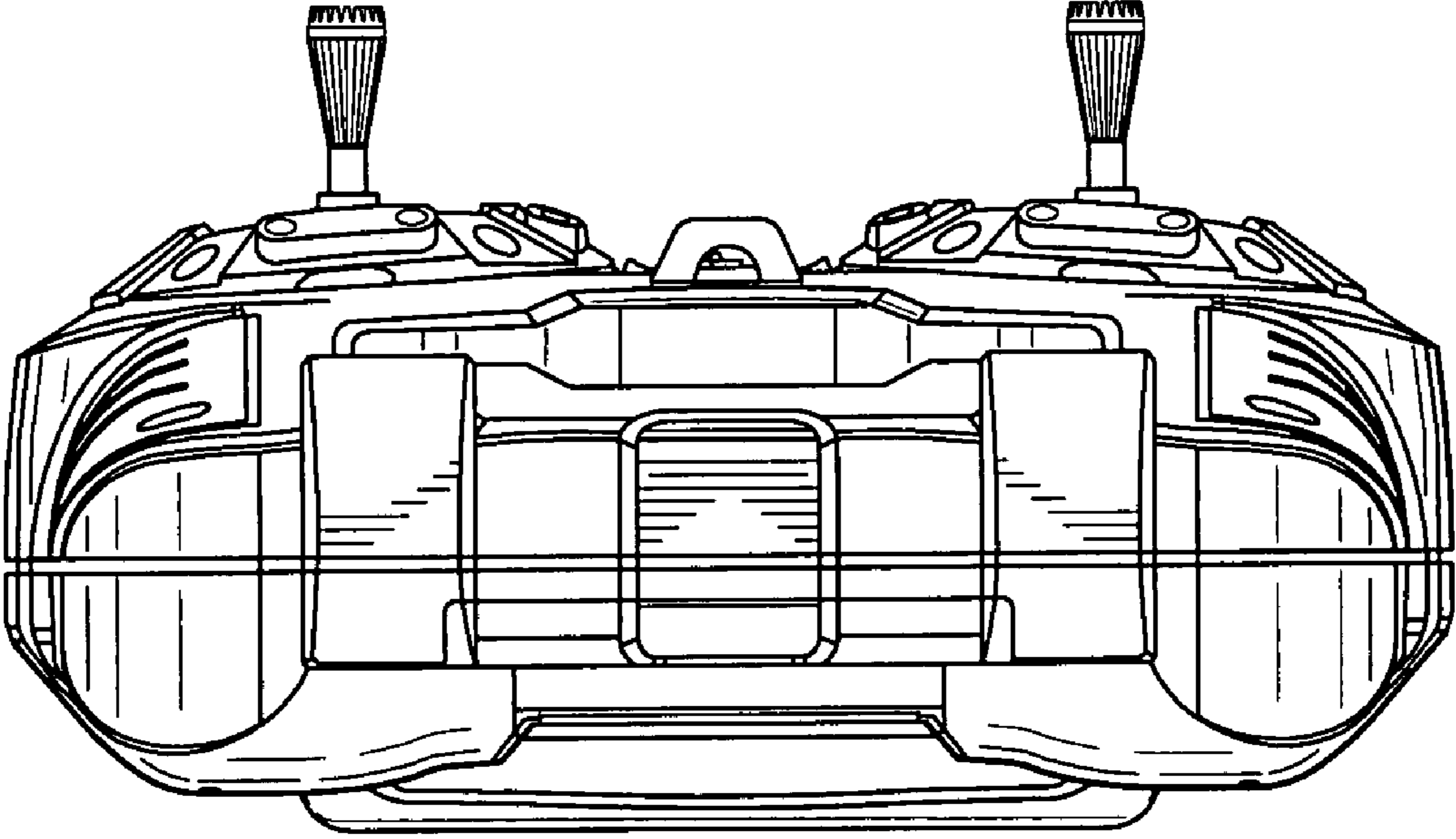


FIG. 6

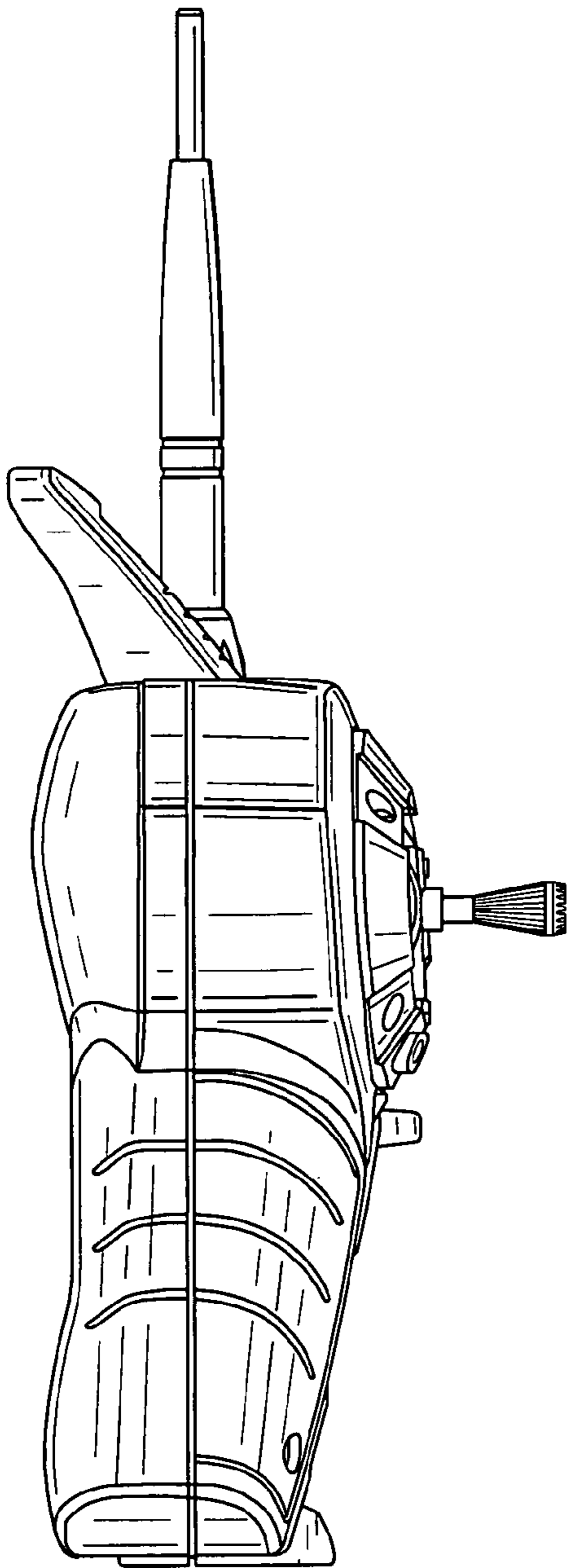


FIG. 7

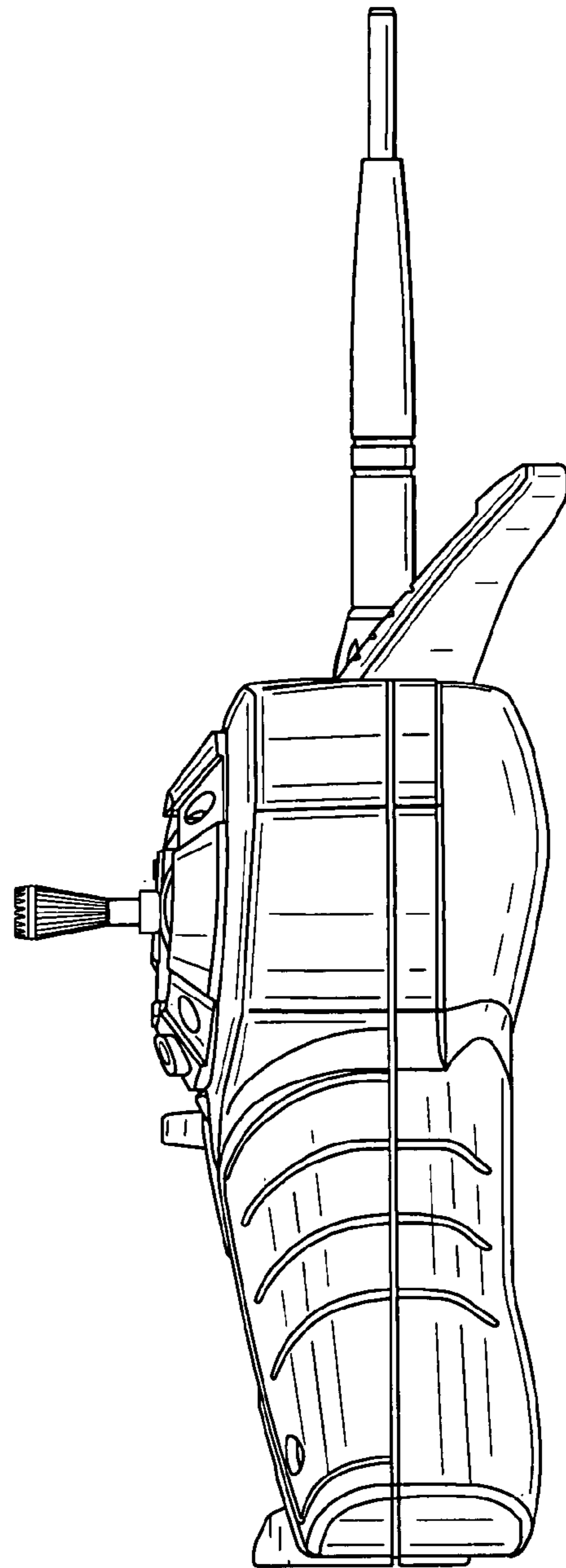


FIG. 8