



US00D568417S

(12) **United States Design Patent**
Meguerditchian

(10) **Patent No.:** **US D568,417 S**

(45) **Date of Patent:** **** May 6, 2008**

(54) **STEP SCOOTER**

D533,231 S * 12/2006 Swisher D21/423

(76) Inventor: **Ohannes Meguerditchian**, 420 W.
Windsor Rd., No. 24, Glendale, CA
(US) 91204

* cited by examiner

Primary Examiner—Holly H. Baynham
Assistant Examiner—Cynthia M. Chin
(74) *Attorney, Agent, or Firm*—Italia IP; James A. Italia

(**) Term: **14 Years**

(21) Appl. No.: **29/281,508**

(57) **CLAIM**

(22) Filed: **Jun. 26, 2007**

The ornamental design for a step scooter, as shown and described.

(51) **LOC (8) Cl.** **21-01**

(52) **U.S. Cl.** **D21/423**

(58) **Field of Classification Search** D21/419,
D21/421, 423, 424, 538, 668, 671; D12/1,
D12/107, 111–113; 280/87.021, 87.03, 87.041,
280/263, 288.1–288.3, 200, 210, 226.1, 275,
280/281.1

See application file for complete search history.

DESCRIPTION

FIG. 1 is a perspective view of a step scooter showing my new design;

FIG. 2 is a left side view thereof of which the right side is a mirror image;

FIG. 3 is a front view thereof;

FIG. 4 is a top plan view thereof;

FIG. 5 is rear view thereof; and,

FIG. 6 is a perspective view of the scooter in FIG. 1 shown with a seat and post.

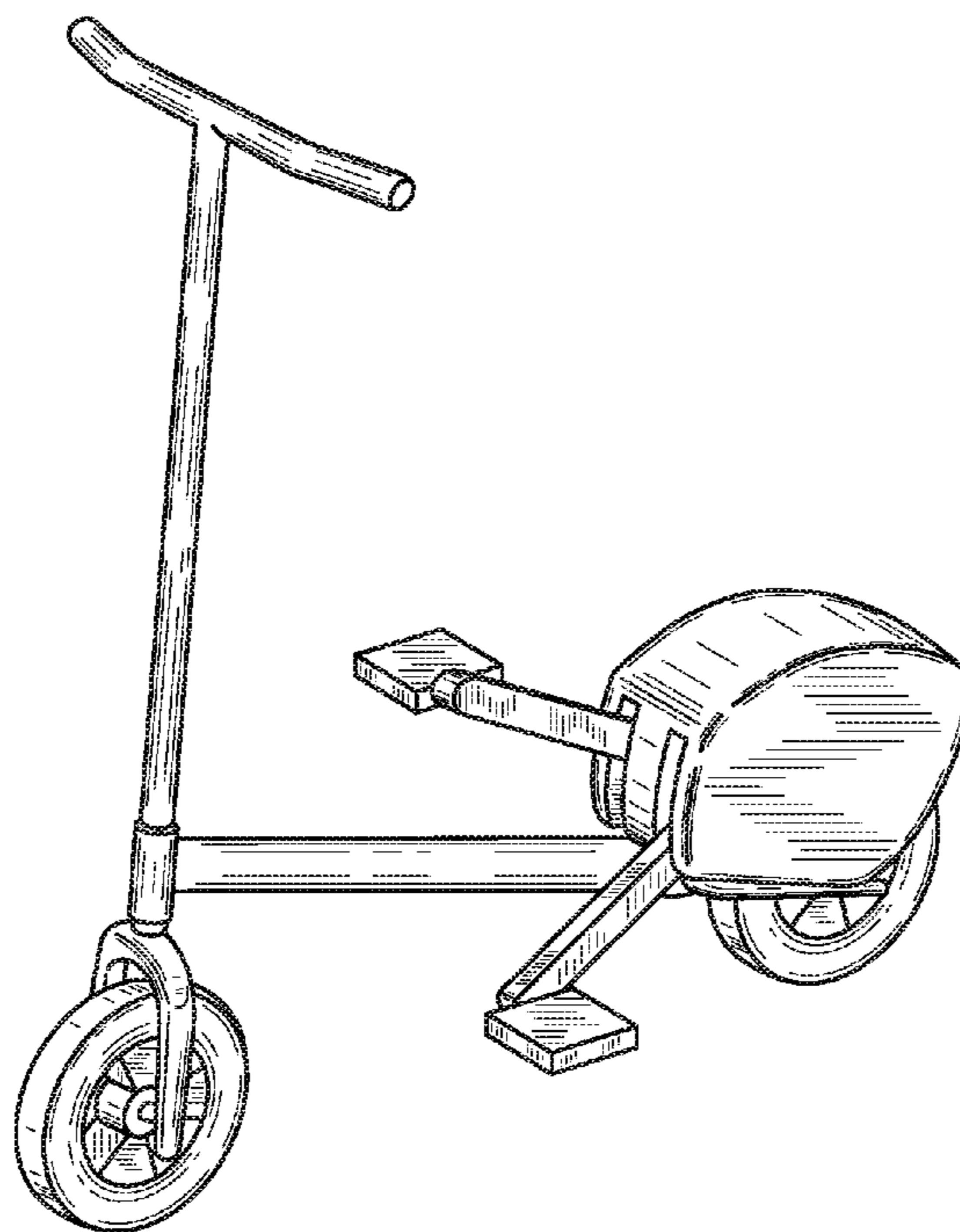
The broken lines are for illustrative purposes only and form no part of the claimed design.

(56) **References Cited**

U.S. PATENT DOCUMENTS

1,872,142	A	*	8/1932	Holtzman	280/283
D458,977	S	*	6/2002	Tobias et al.	D21/668
D487,908	S	*	3/2004	Mayer et al.	D21/423
D492,367	S	*	6/2004	Dennis	D21/423
D494,507	S	*	8/2004	Doong	D12/111
D497,397	S	*	10/2004	Sramek	D21/423

1 Claim, 2 Drawing Sheets



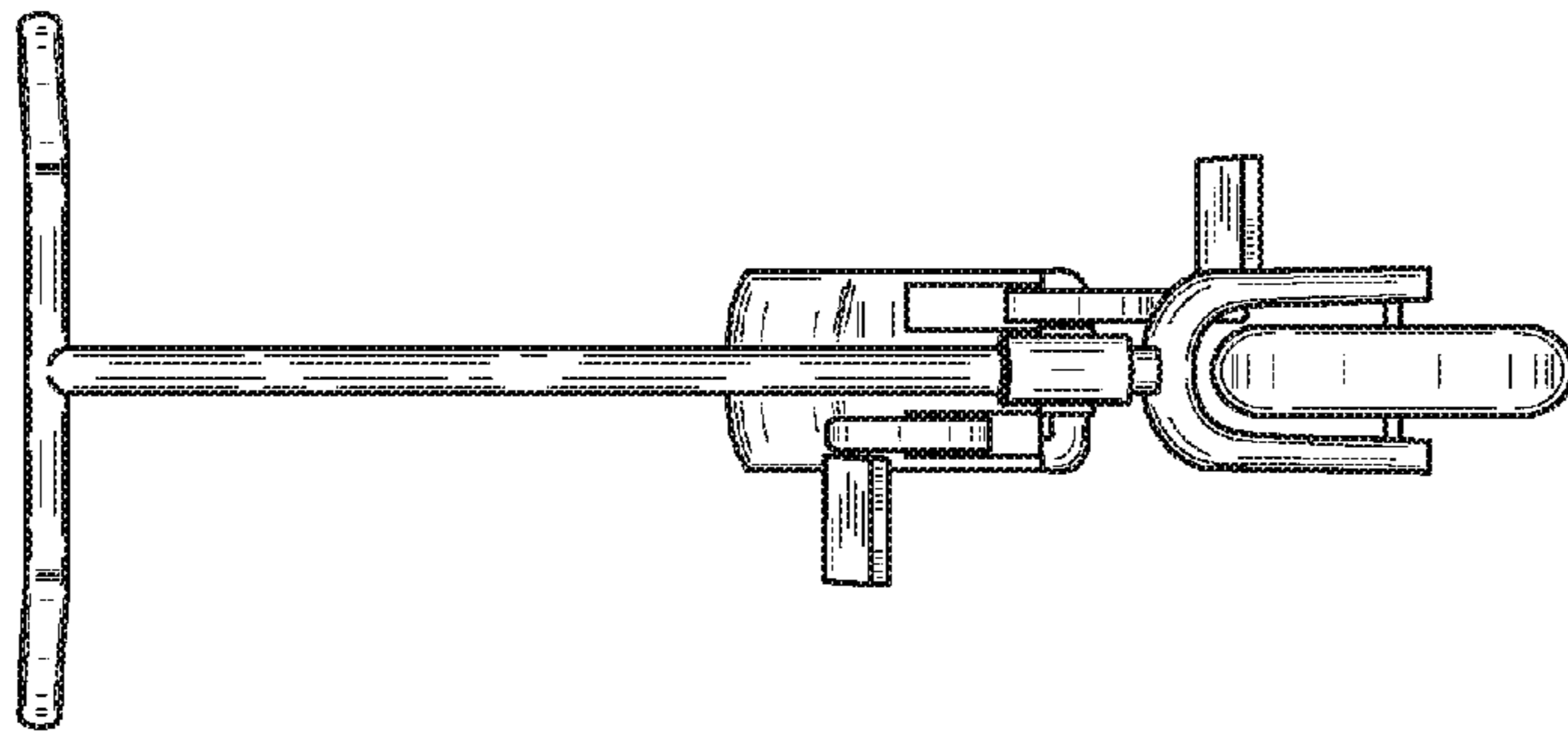


FIG. 3

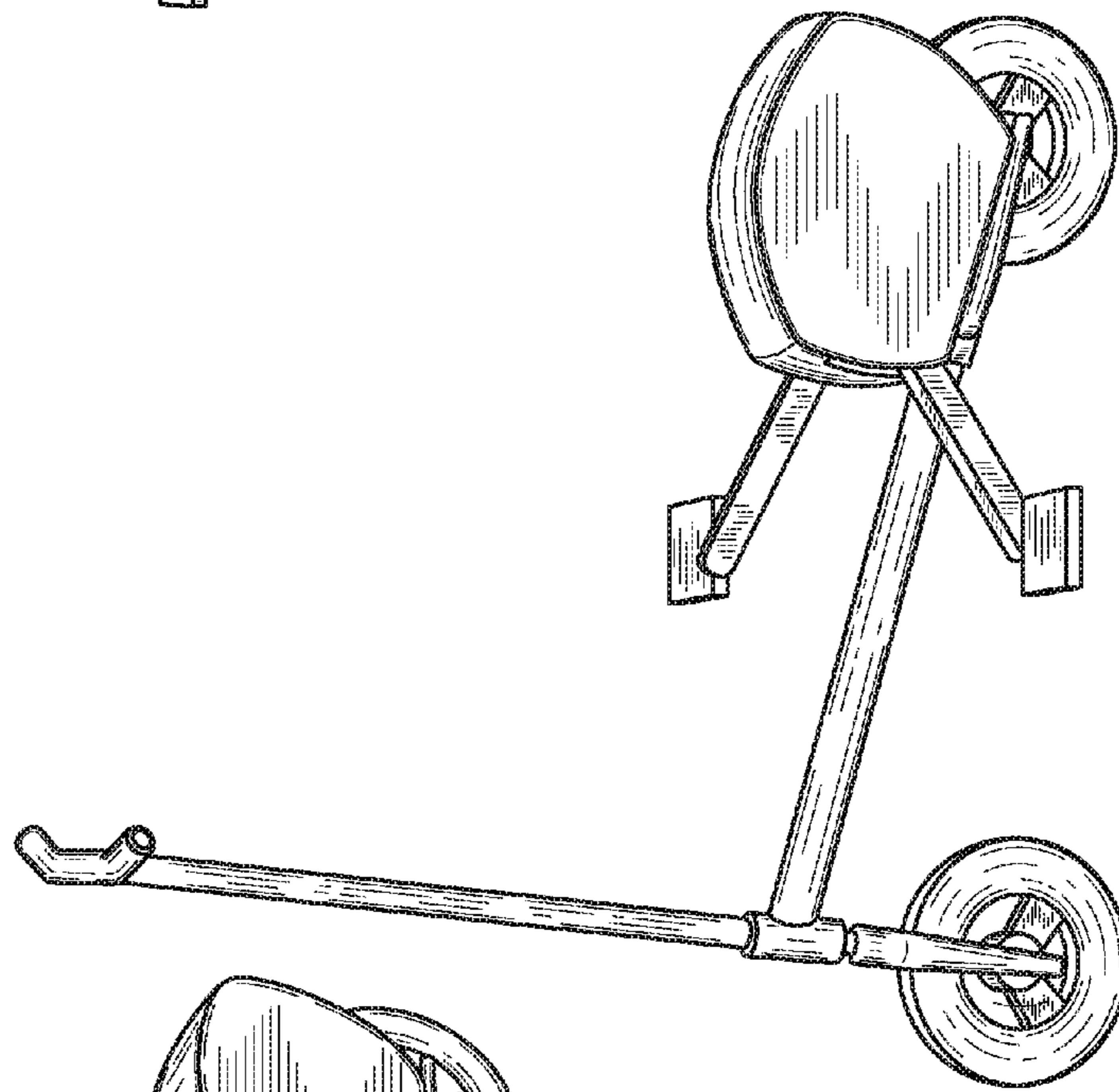


FIG. 2

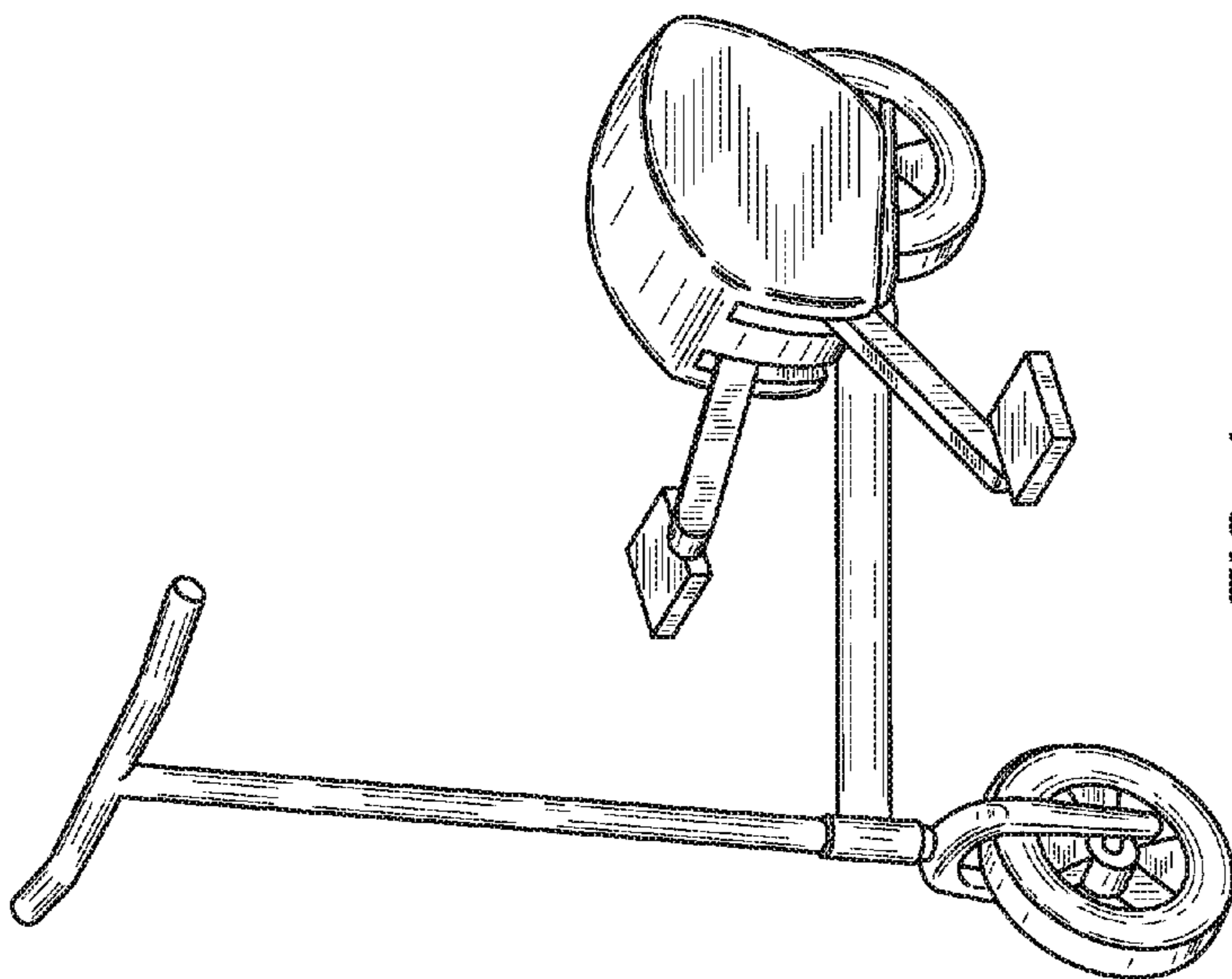


FIG. 1

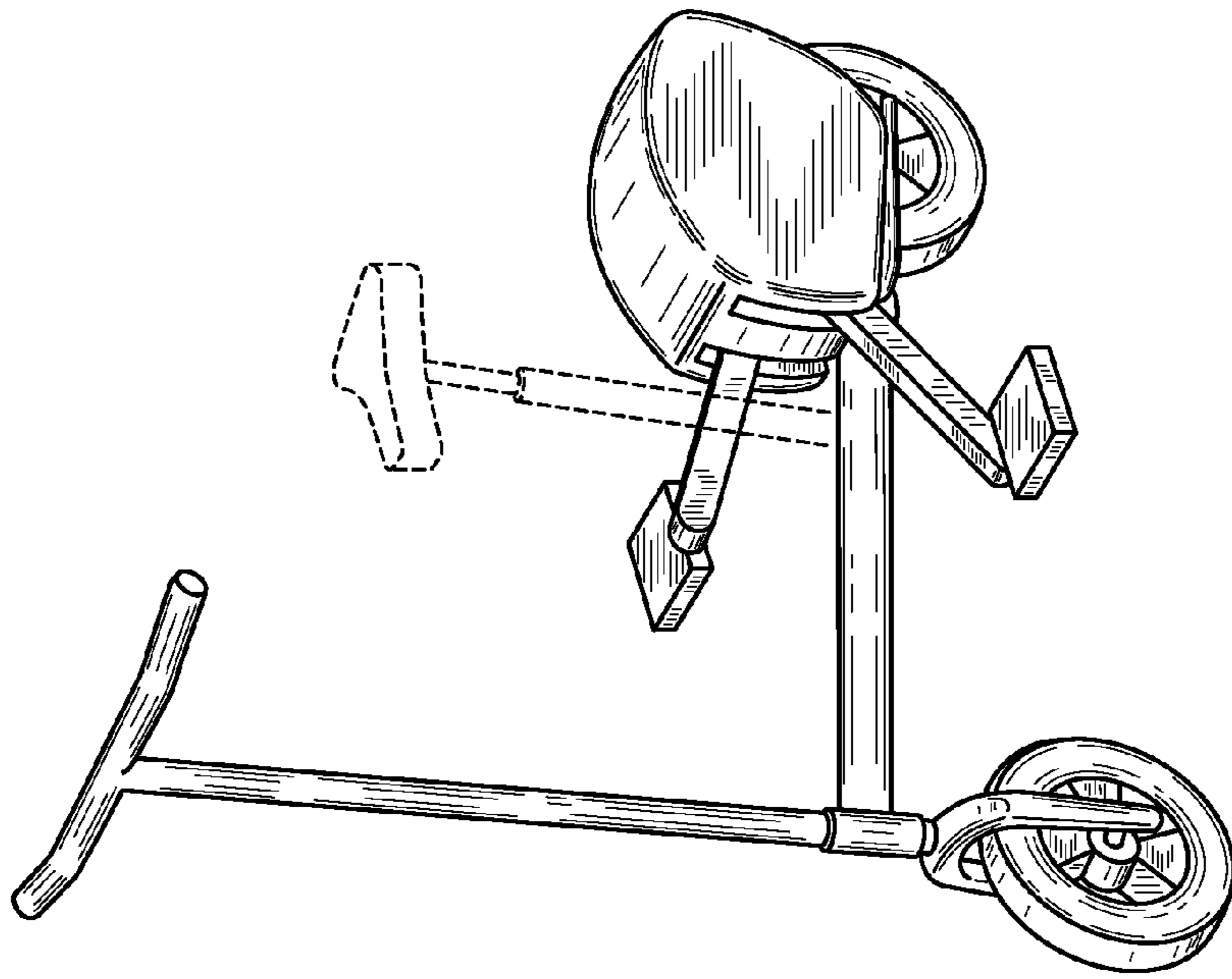


FIG. 6

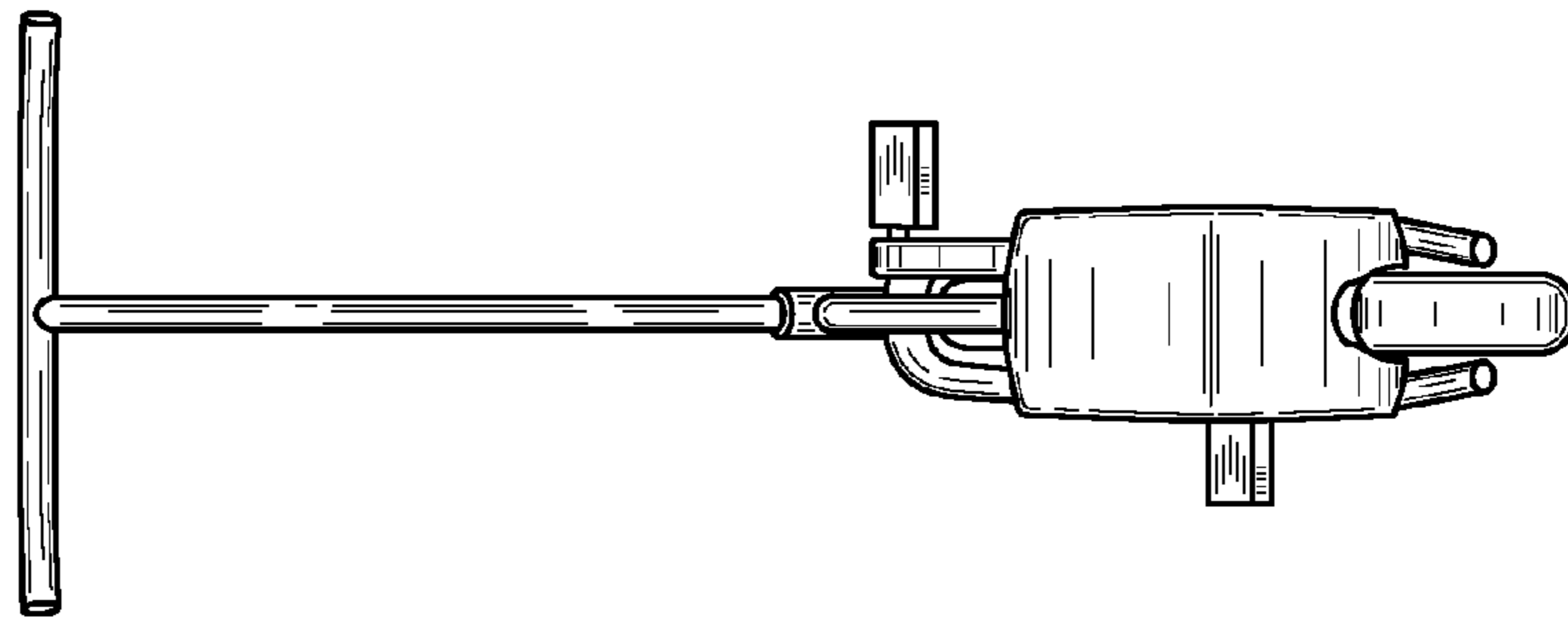


FIG. 5

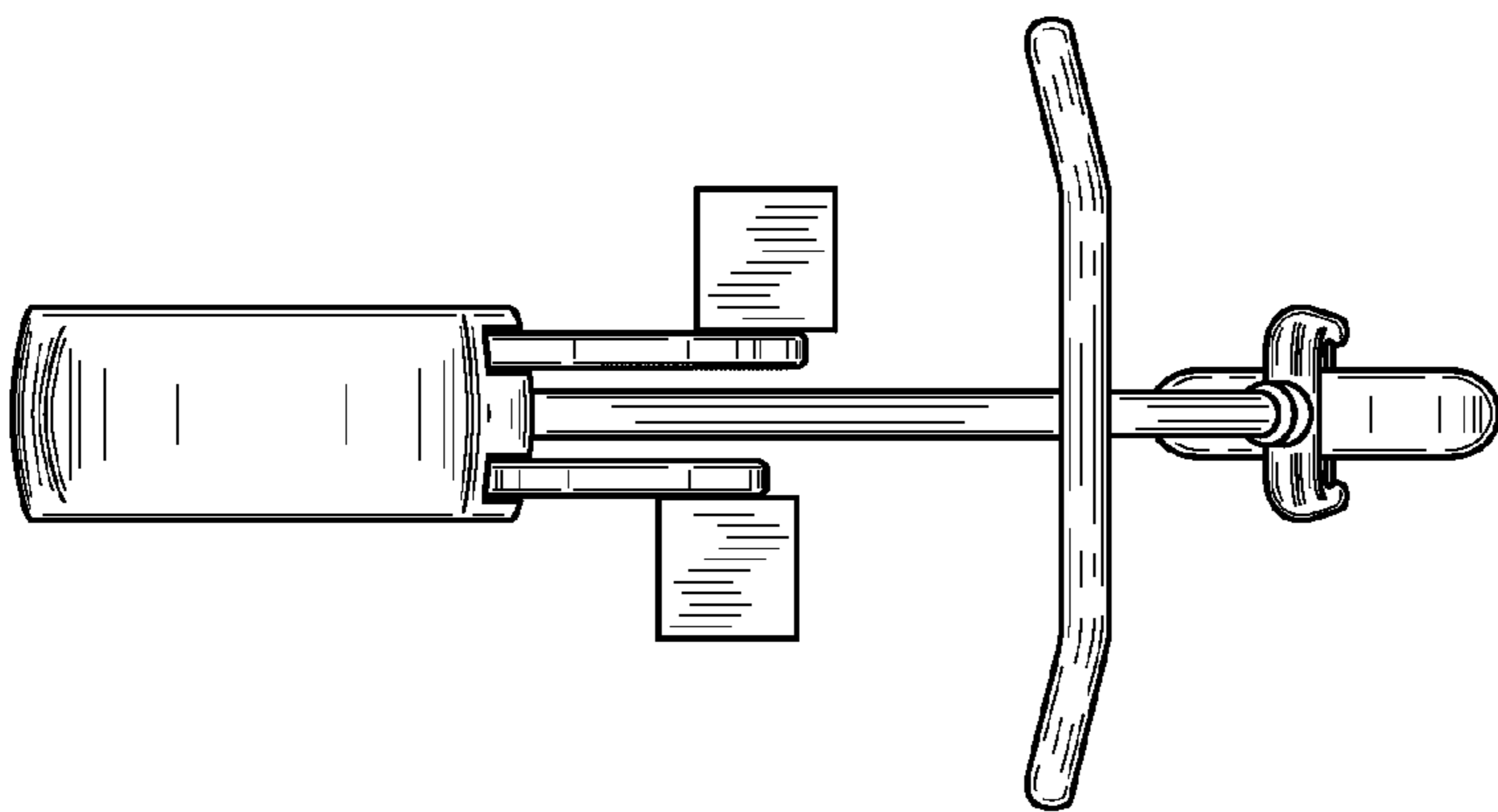


FIG. 4