

US00D568415S

(12) **United States Design Patent**  
**Kronenberg**

(10) **Patent No.:** **US D568,415 S**

(45) **Date of Patent:** **\*\* May 6, 2008**

(54) **CHESS GAME PIECE**

(75) Inventor: **David Kronenberg**, 345 W. Fullerton Pkwy., #1004, Chicago, IL (US) 60614

(73) Assignee: **David Kronenberg**, Chicago, IL (US)

(\*\*) Term: **14 Years**

(21) Appl. No.: **29/276,292**

(22) Filed: **Jan. 22, 2007**

(51) **LOC (8) Cl.** ..... **21-01**

(52) **U.S. Cl.** ..... **D21/388**

(58) **Field of Classification Search** ..... D21/334-368, D21/385-391; 273/236-288, 148 R  
See application file for complete search history.

(56) **References Cited**

U.S. PATENT DOCUMENTS

D136,454 S \* 10/1943 Paige ..... D21/389  
D528,465 S \* 9/2006 Quarters ..... D11/157

\* cited by examiner

*Primary Examiner*—Sandra L. Morris

(74) *Attorney, Agent, or Firm*—Miller, Matthias & Hull

(57) **CLAIM**

The ornamental design for a chess game piece, as shown and described.

**DESCRIPTION**

FIG. 1 is a perspective view of the chess game piece, showing my invention;

FIG. 2 is a front view of the device of FIG. 1;

FIG. 3 is a rear view of the device of FIG. 1;

FIG. 4 is a right side view of device of FIG. 1;

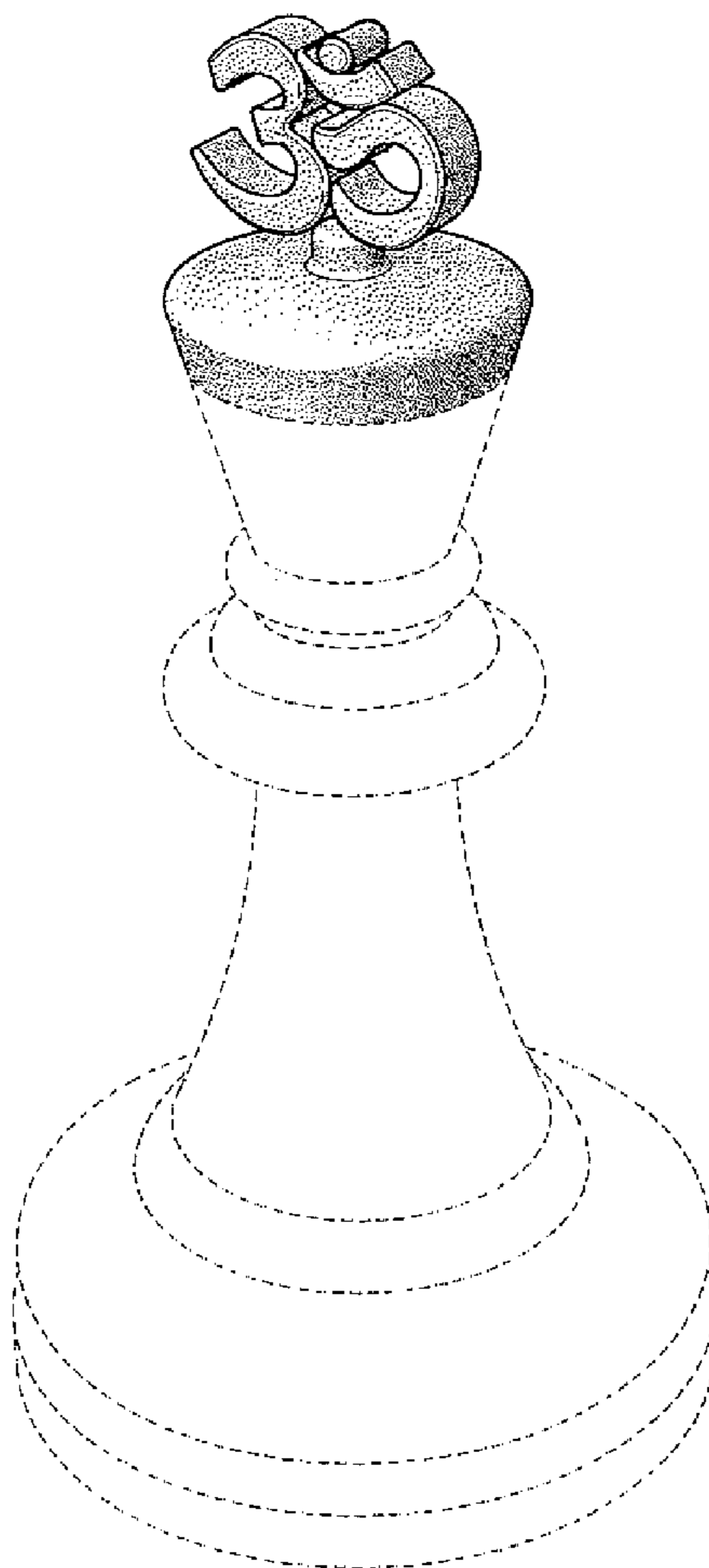
FIG. 5 is a left side view of the device of FIG. 1;

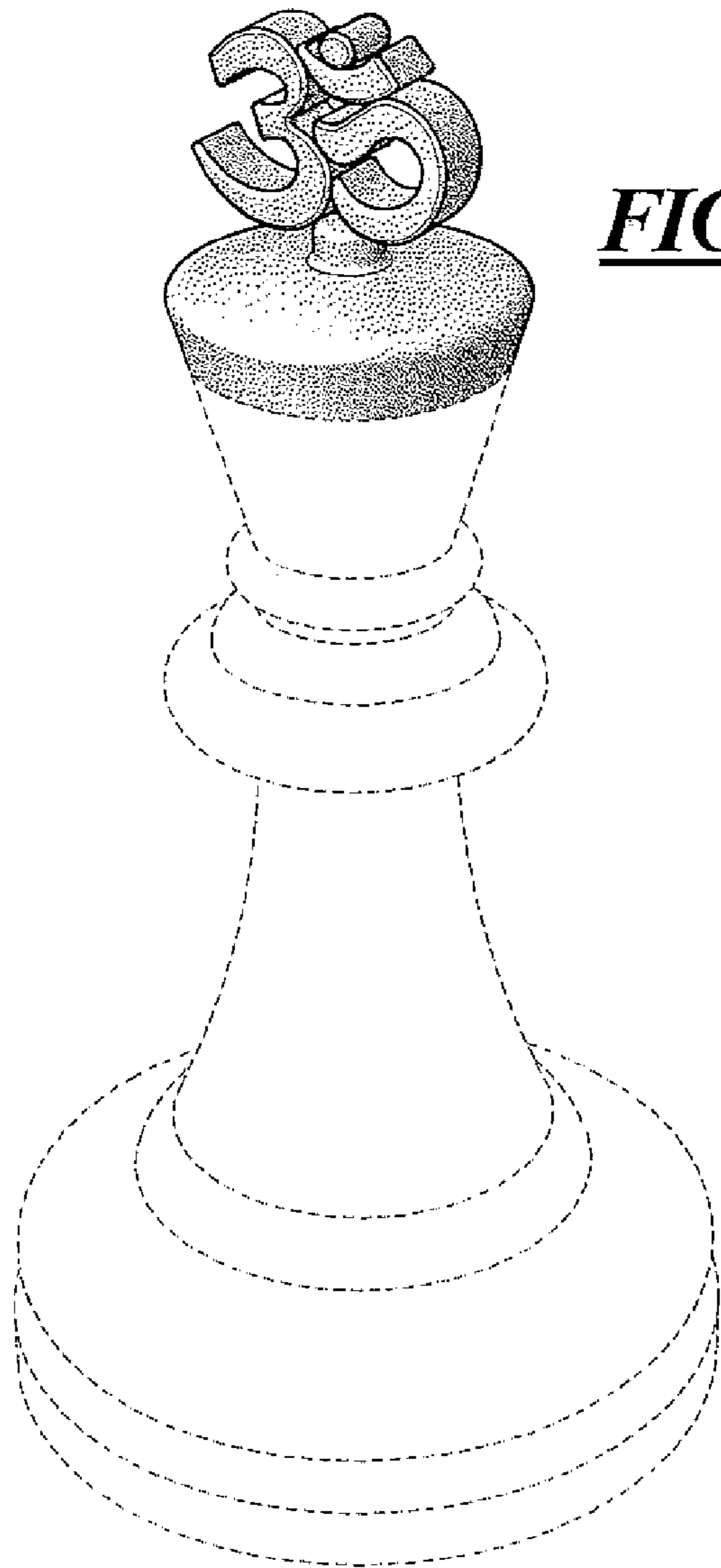
FIG. 6 is a top view of the device of FIG. 1; and,

FIG. 7 is a bottom view of the device of FIG. 1.

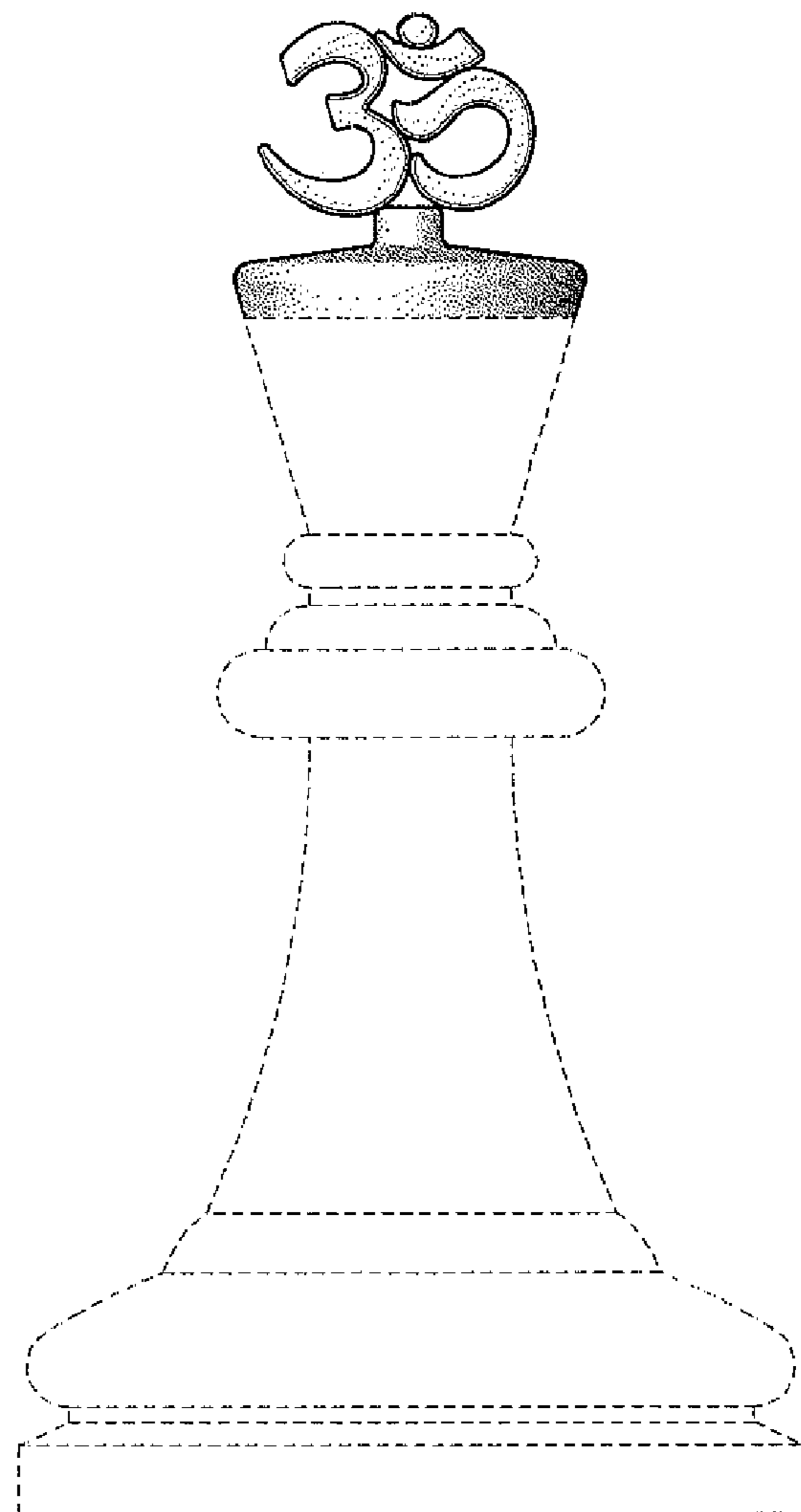
The broken line showing of the body of the chess piece is for illustrative purposes only, and forms no part of the claimed design.

**1 Claim, 3 Drawing Sheets**

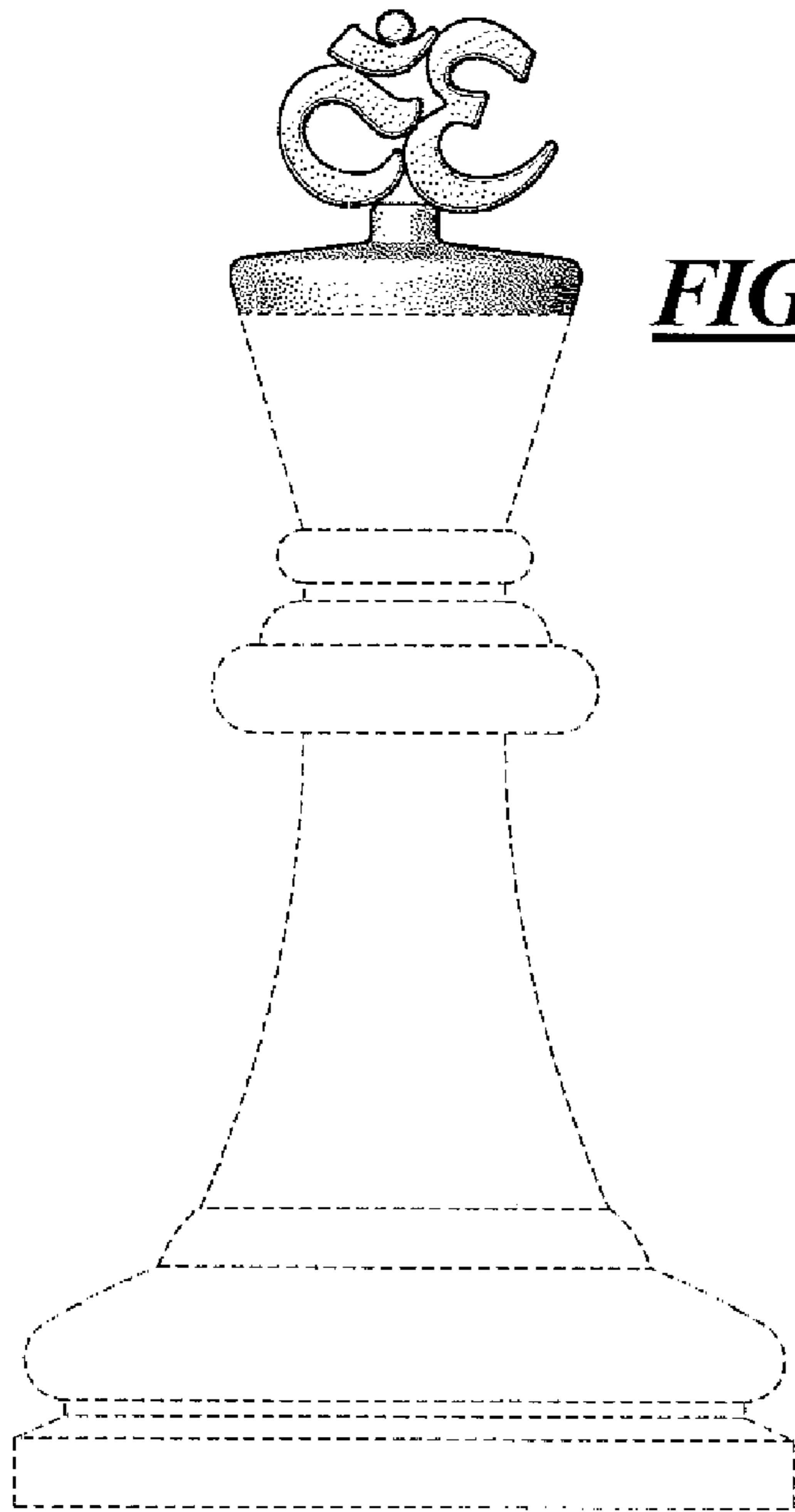




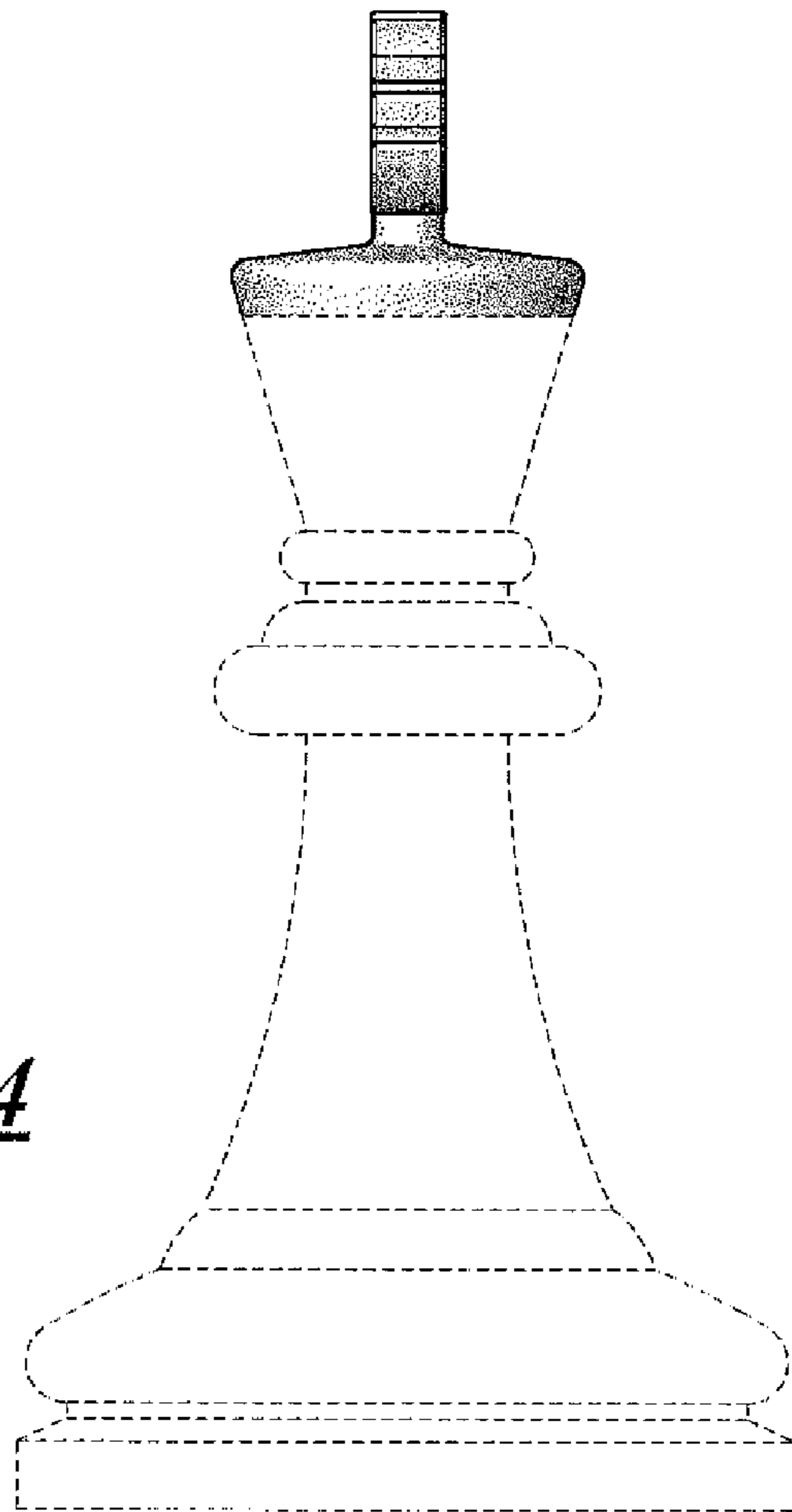
**FIG. 1**



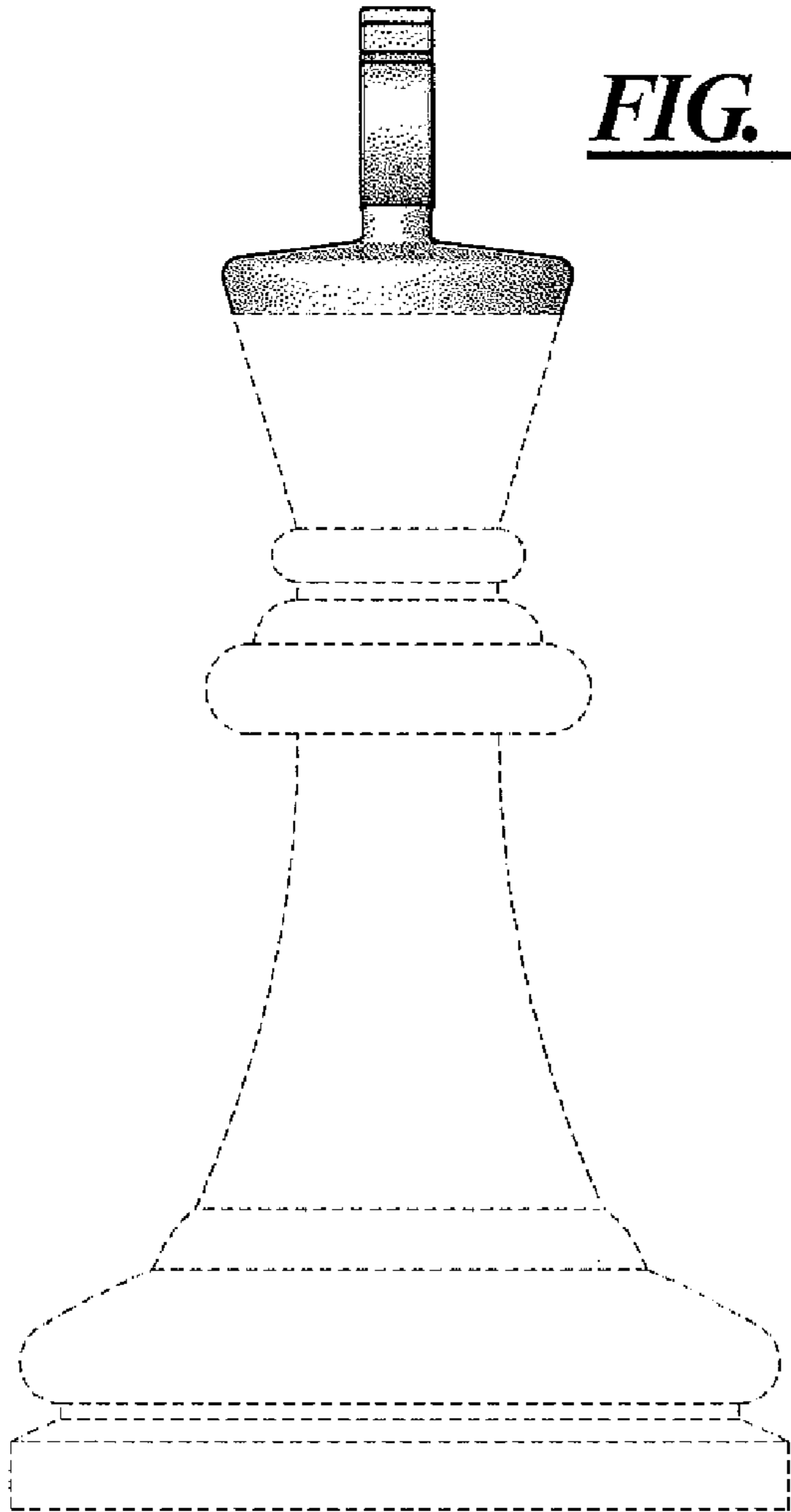
**FIG. 2**



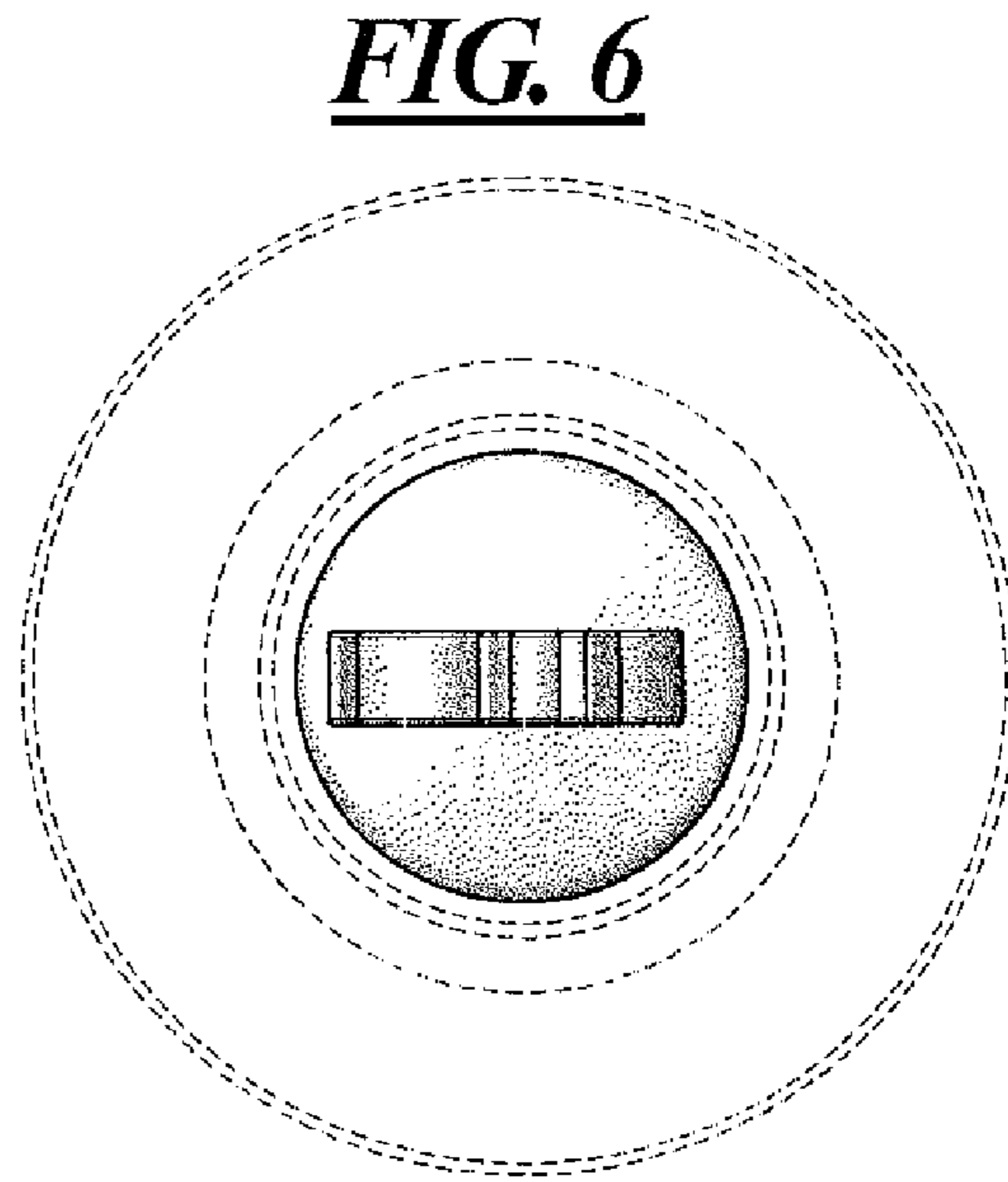
**FIG. 3**



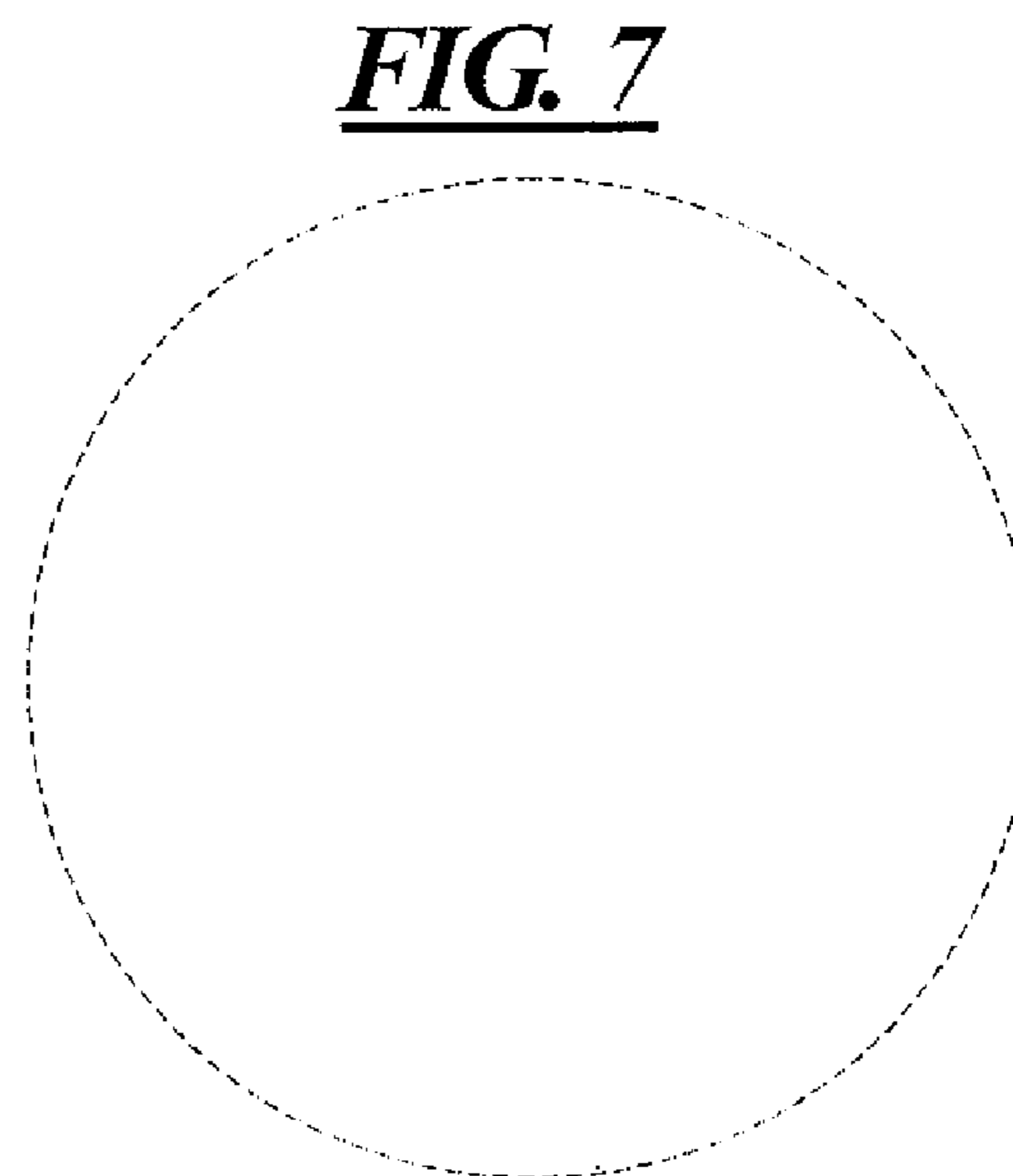
**FIG. 4**



**FIG. 5**



**FIG. 6**



**FIG. 7**