



US00D568414S

(12) **United States Design Patent**
Myers

(10) **Patent No.:** **US D568,414 S**

(45) **Date of Patent:** **** *May 6, 2008**

(54) **USER INTERFACE BEZEL**

(75) Inventor: **Gordon H. Myers**, Reno, NV (US)

(73) Assignee: **Bally Gaming, Inc.**, Las Vegas, NV (US)

(*) Notice: This patent is subject to a terminal disclaimer.

(**) Term: **14 Years**

(21) Appl. No.: **29/276,233**

(22) Filed: **Jan. 19, 2007**

(51) **LOC (8) Cl.** **21-03**

(52) **U.S. Cl.** **D21/370; D21/385**

(58) **Field of Classification Search** D21/324, D21/329, 369-370, 385; D10/50, 103; D14/257-258, D14/383, 385, 386, 388, 443; D20/1-2, D20/8-9; D99/28; 194/206; 273/138.1, 273/309; 463/11-13, 25-26, 46-47
See application file for complete search history.

(56) **References Cited**

U.S. PATENT DOCUMENTS

- D344,684 S * 3/1994 Metz et al. D10/103
- D415,165 S * 10/1999 Tokiyama et al. D14/258
- D417,145 S * 11/1999 McLaughlin D21/369
- 6,227,970 B1 * 5/2001 Shimizu et al. 463/20

- D455,742 S * 4/2002 Kiai D14/257
- D488,280 S * 4/2004 Zerman et al. D99/28
- D488,839 S * 4/2004 Bristol et al. D21/369
- D495,373 S * 8/2004 Bristol et al. D21/369
- D505,530 S * 5/2005 Nelson et al. D99/28
- D515,144 S * 2/2006 Boyd D21/369
- D519,570 S * 4/2006 Amaitis et al. D21/370
- D542,807 S * 5/2007 Long et al. D14/257
- 2003/0220135 A1 * 11/2003 Gauselmann 463/25
- 2004/0214628 A1 * 10/2004 Boyd et al. 463/20
- 2005/0153773 A1 * 7/2005 Nguyen et al. 463/25

* cited by examiner

Primary Examiner—Sandra L. Morris

(74) *Attorney, Agent, or Firm*—J. P. Cody, Esq.

(57) **CLAIM**

The ornamental design for a user interface bezel, as shown and described.

DESCRIPTION

FIG. 1 is a perspective view of a user interface bezel, showing my new design;

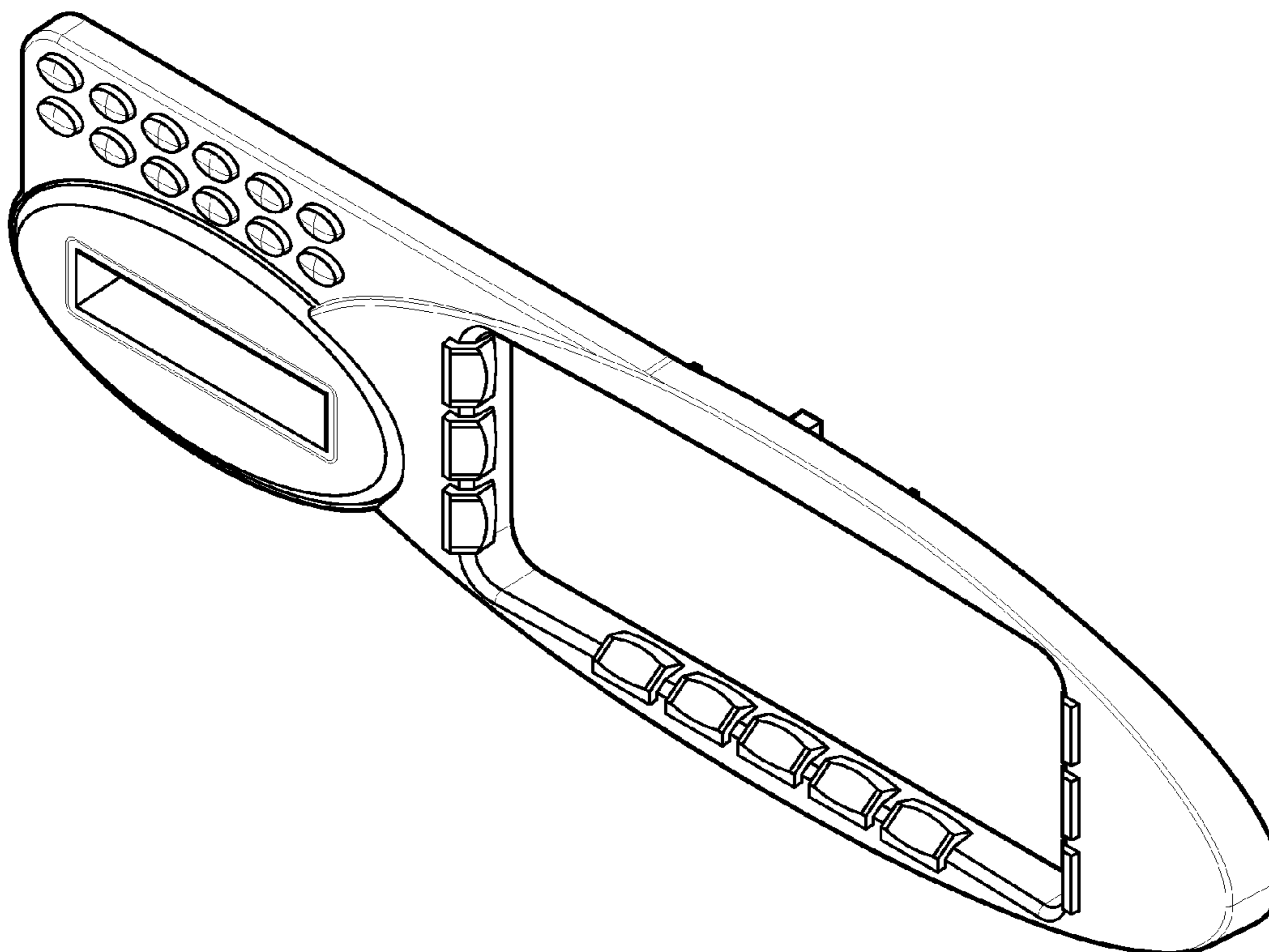
FIG. 2 is a top view thereof;

FIG. 3 is a front elevational view thereof;

FIG. 4 is a right side elevational view thereof; and,

FIG. 5 is a rear elevational view thereof.

1 Claim, 3 Drawing Sheets



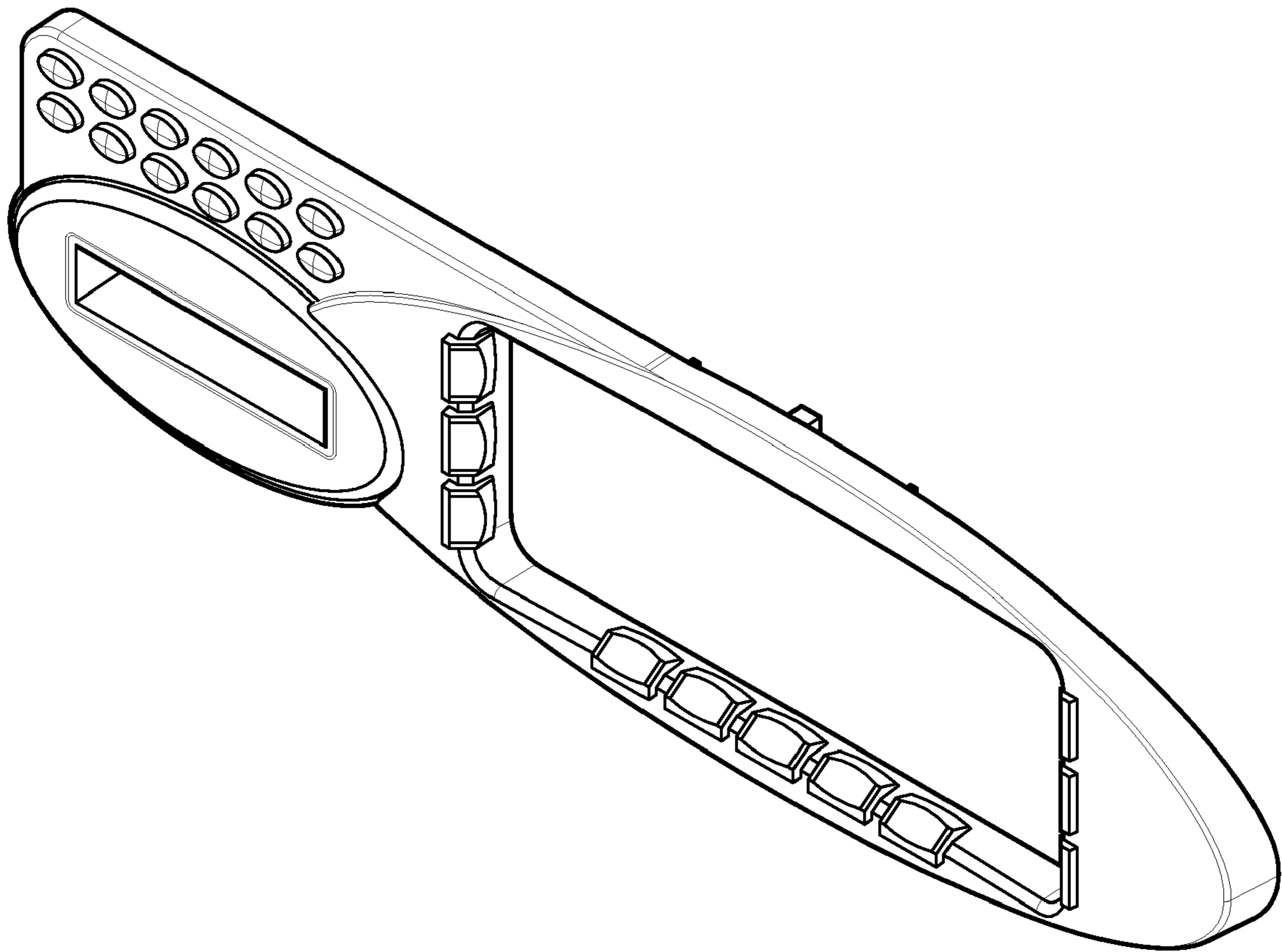


FIG.1

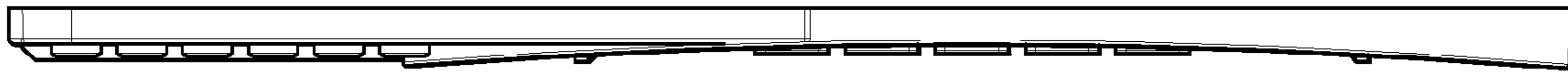


FIG. 2

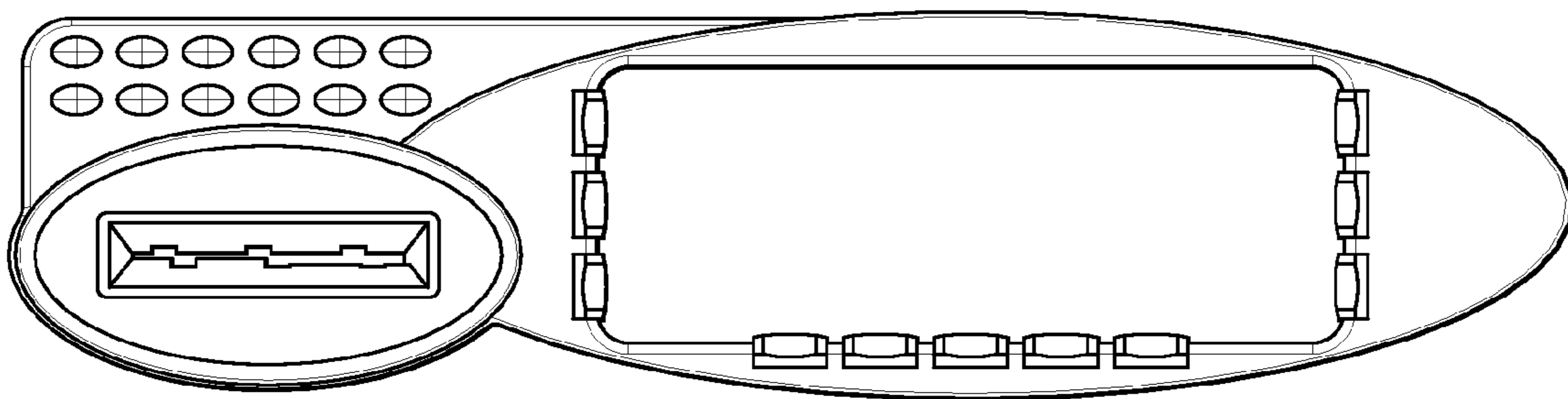


FIG. 3

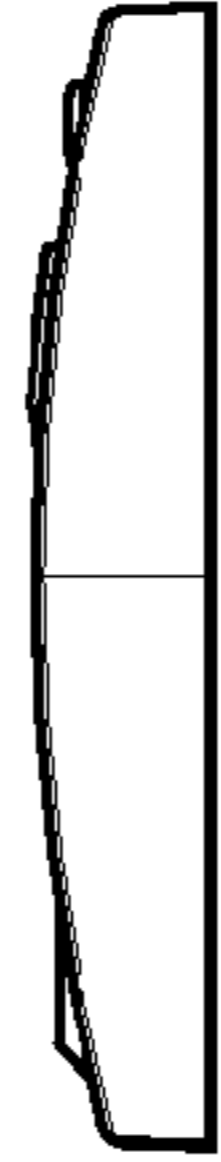


FIG. 4

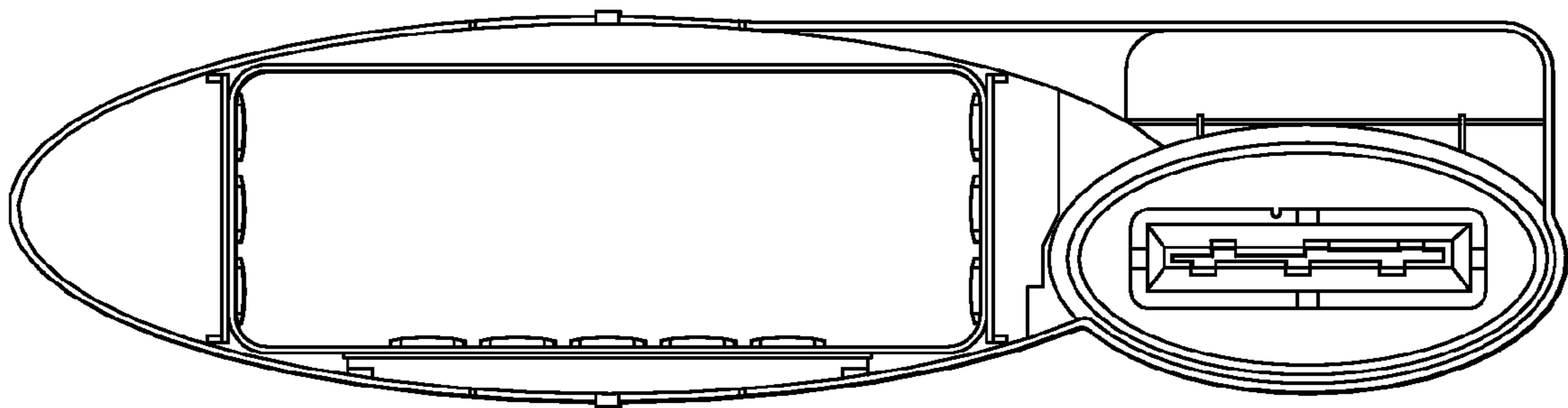


FIG. 5