

US00D568413S

(12) **United States Design Patent**
Baazov et al.

(10) **Patent No.:** **US D568,413 S**

(45) **Date of Patent:** **** May 6, 2008**

(54) **POKER TABLE**

(75) Inventors: **David Baazov**, Dollard des Ormeaux
(CA); **Albert Jann**, Cote Saint Luc
(CA)

(73) Assignee: **Amaya Gaming Group Inc.**,
Mont-Royal (Québec) (CA)

(**) Term: **14 Years**

(21) Appl. No.: **29/269,923**

(22) Filed: **Dec. 12, 2006**

(51) **LOC (8) Cl.** **21-03**

(52) **U.S. Cl.** **D21/369**

(58) **Field of Classification Search** D6/451,
D6/486, 488, 511; D21/324, 329, 369-371,
D21/385, 396-397; 273/138.1, 309; 463/11-13,
463/25-26, 46-47

See application file for complete search history.

(56) **References Cited**

U.S. PATENT DOCUMENTS

1,900,513 A 3/1933 Marsh
D400,950 S 11/1998 Nally et al.
D429,769 S * 8/2000 Luciano et al. D21/333
6,095,524 A 8/2000 Richter et al.
6,464,586 B1 * 10/2002 Kamata et al. 463/46

6,896,620 B1 * 5/2005 Luciano et al. 463/46
D512,466 S 12/2005 White et al.
D547,386 S * 7/2007 Skotarczak et al. D21/369
D547,387 S * 7/2007 Maguire et al. D21/369
D548,801 S * 8/2007 Groswirt D21/369
2006/0055114 A1 3/2006 White et al.
2006/0068868 A1 * 3/2006 Crawford et al. 463/13
2006/0068871 A1 * 3/2006 Crawford et al. 463/13

* cited by examiner

Primary Examiner—Sandra L. Morris

(74) *Attorney, Agent, or Firm*—Equinox Protection; Franz
Bonrang, Patent Agent

(57) **CLAIM**

The ornamental design for a poker table, as shown and
described.

DESCRIPTION

FIG. 1 is a top perspective view of a poker table showing our
new design;

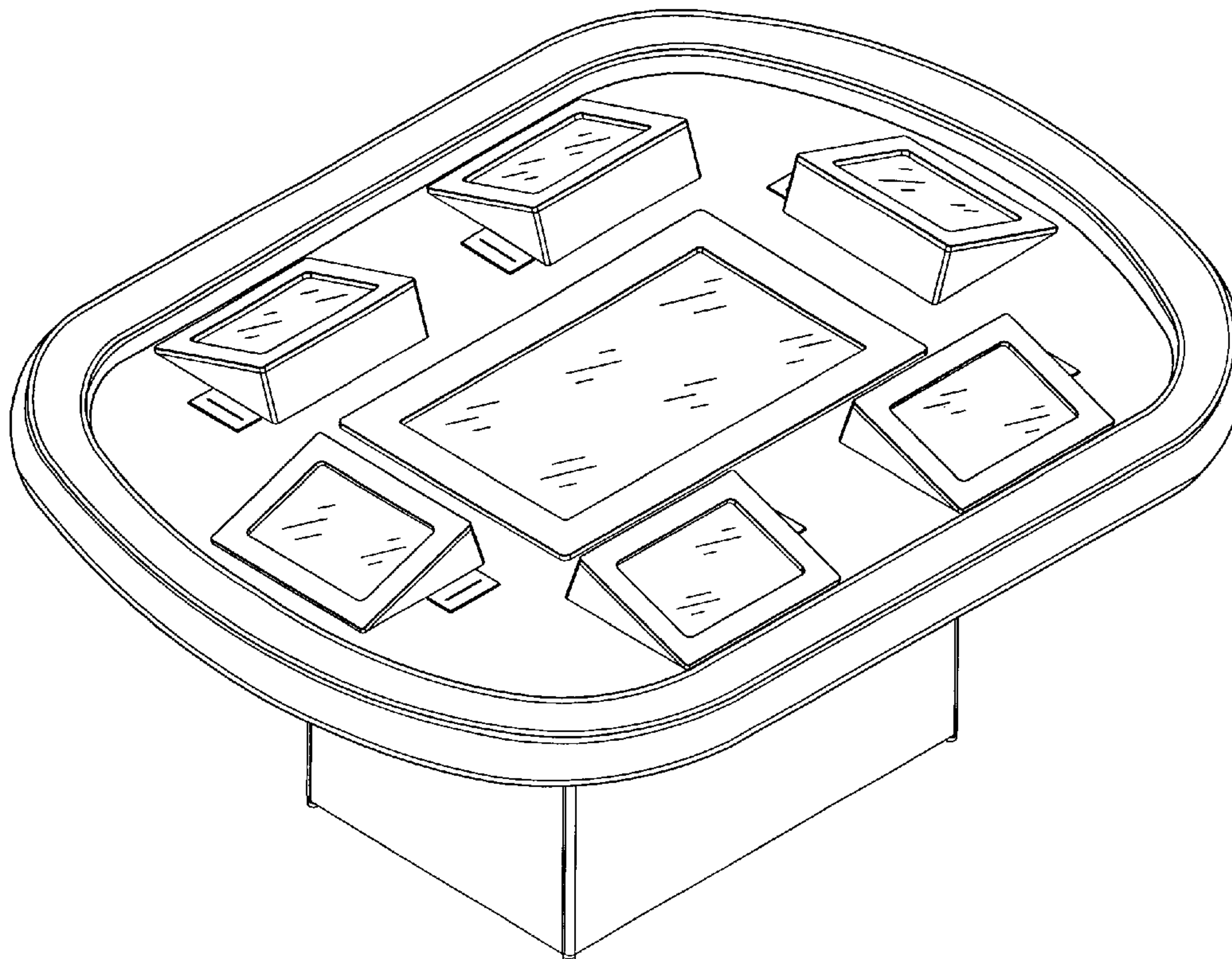
FIG. 2 is a top plan view thereof;

FIG. 3 is a front elevational view thereof; the rear eleva-
tional view is a mirror image thereof;

FIG. 4 is a left side elevational view thereof; and,

FIG. 5 is a right side elevational view thereof.

1 Claim, 5 Drawing Sheets



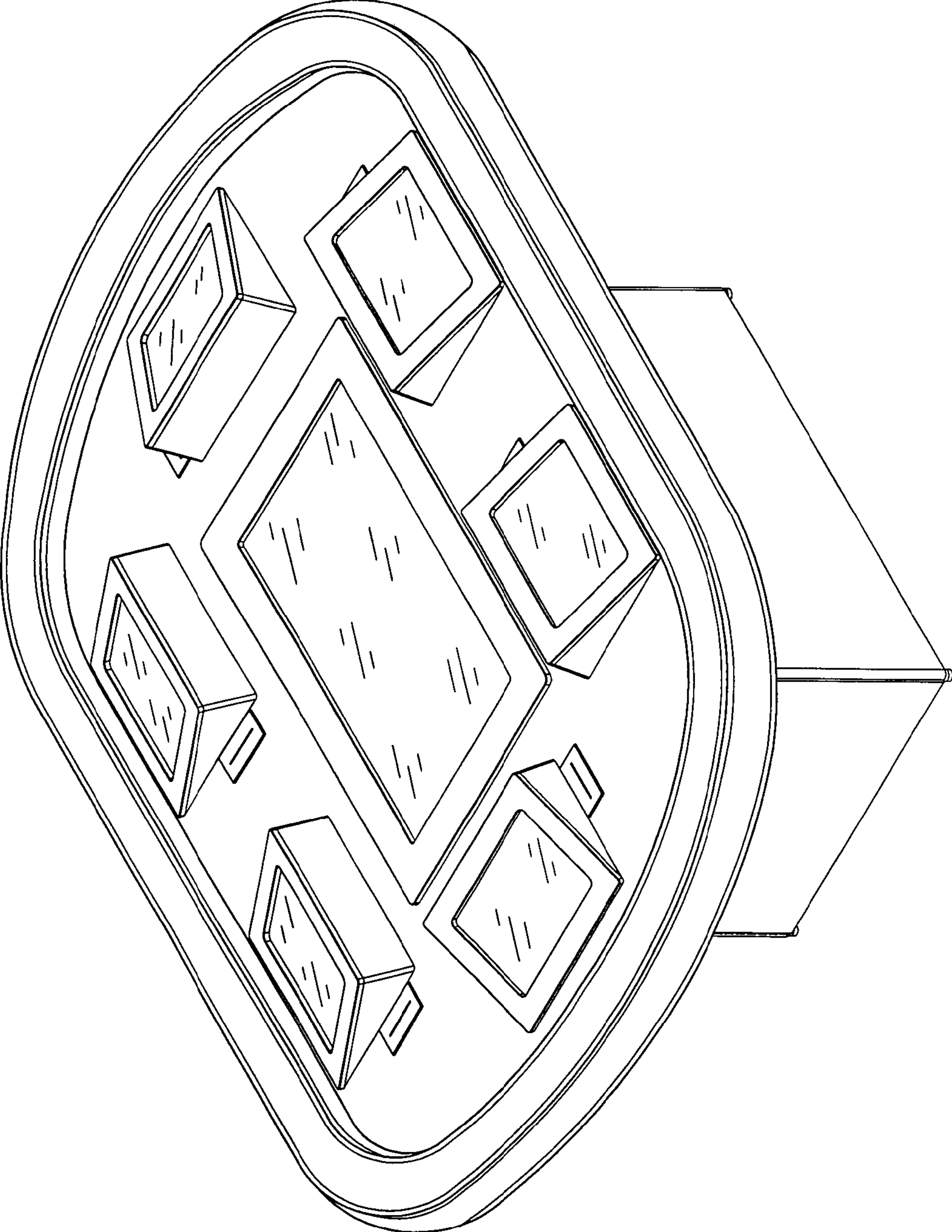


FIG.1

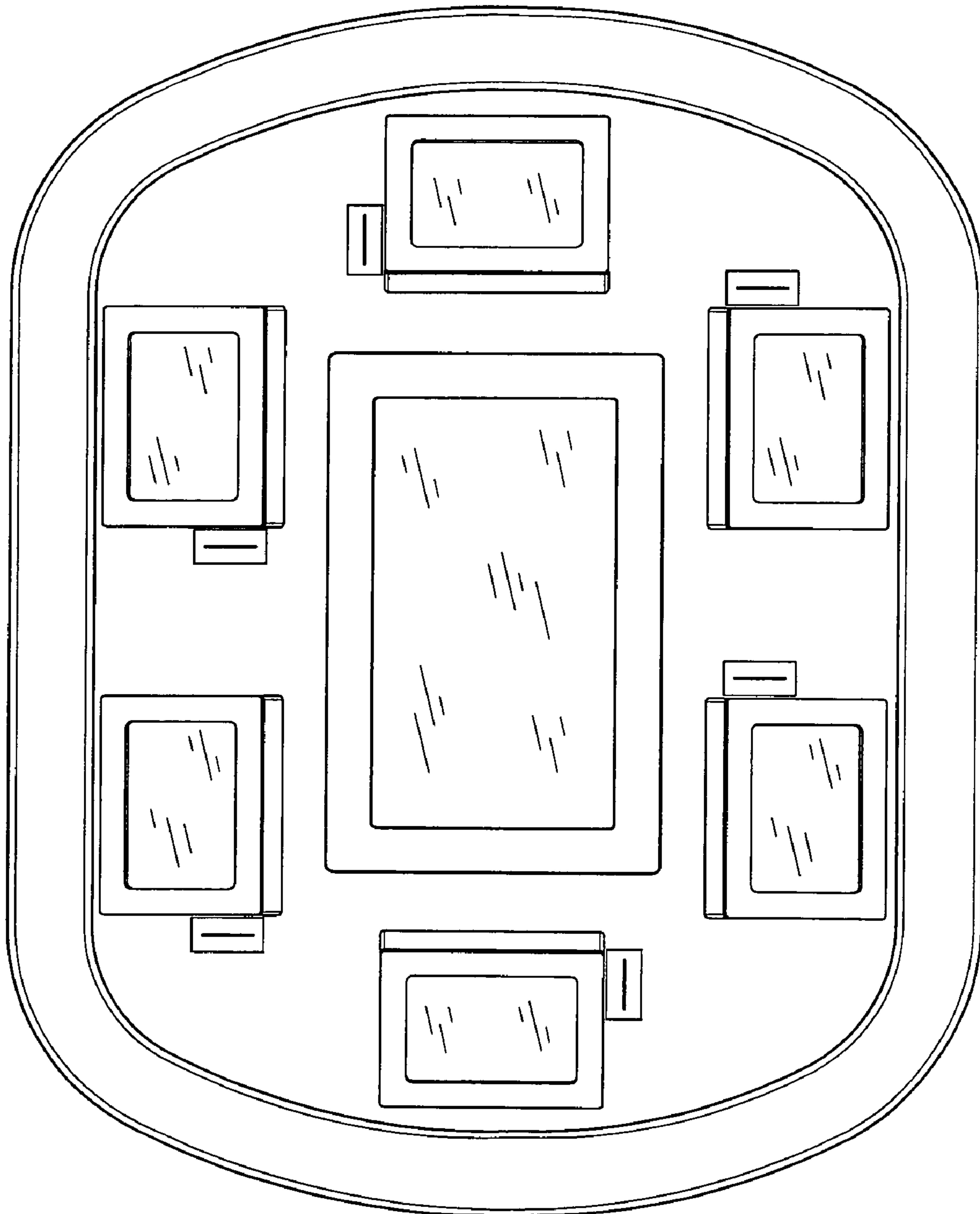


FIG.2

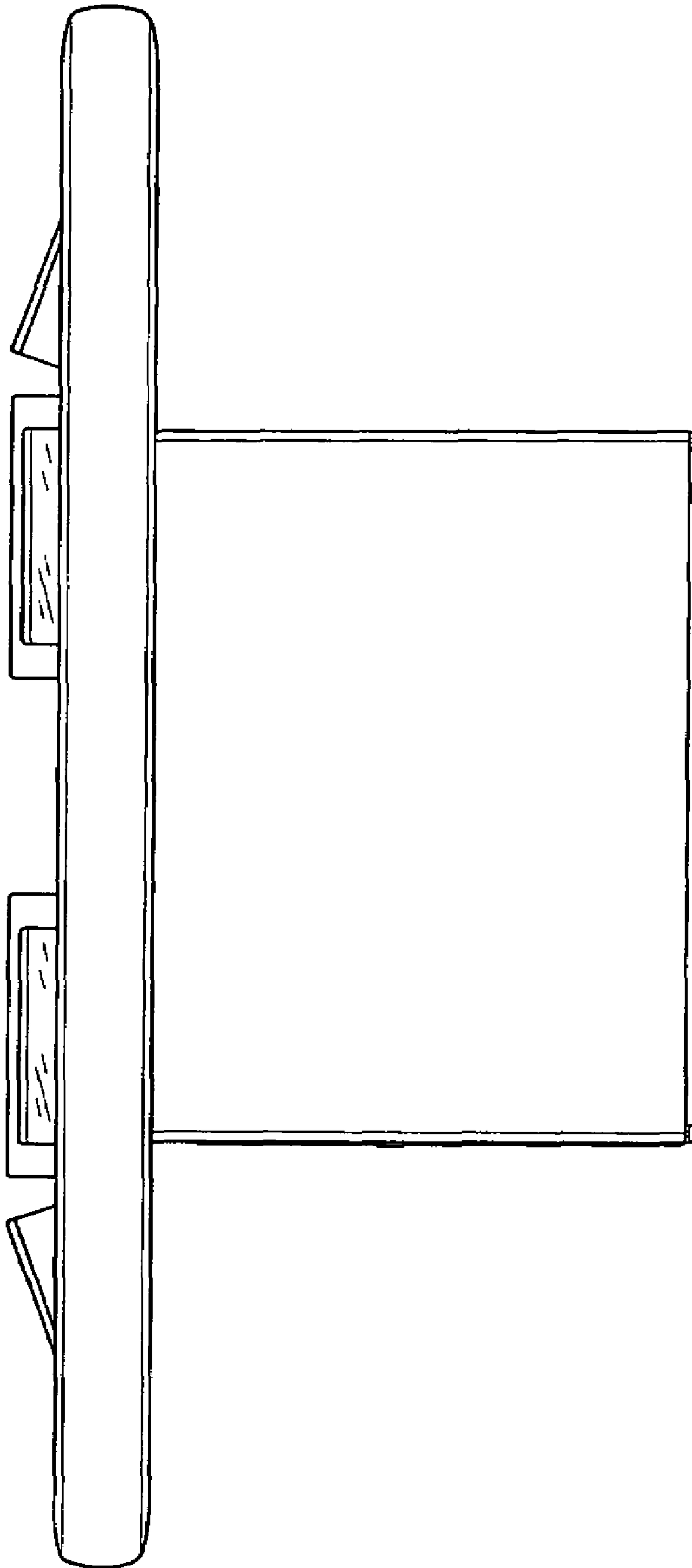


FIG. 3

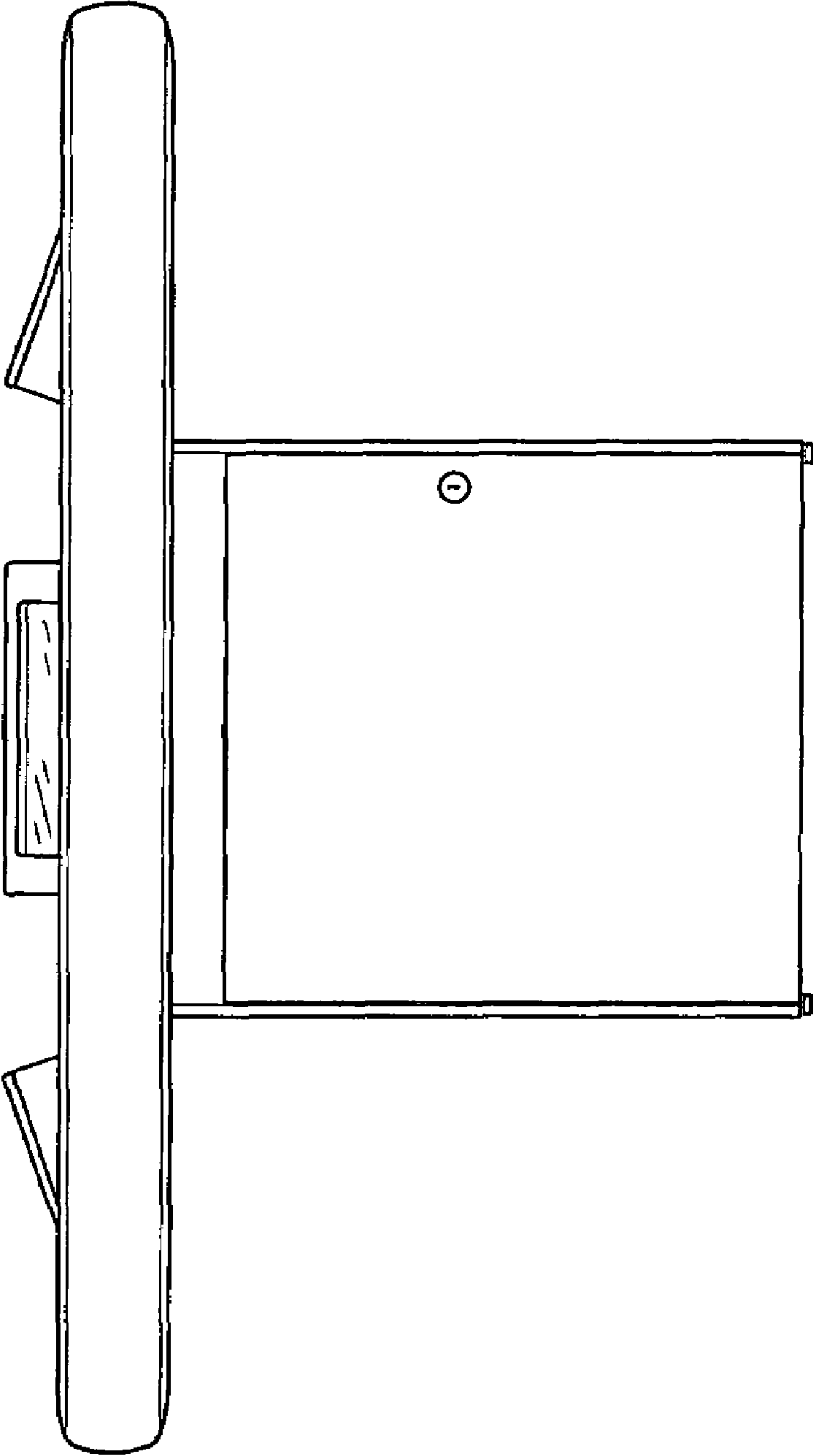


FIG.4

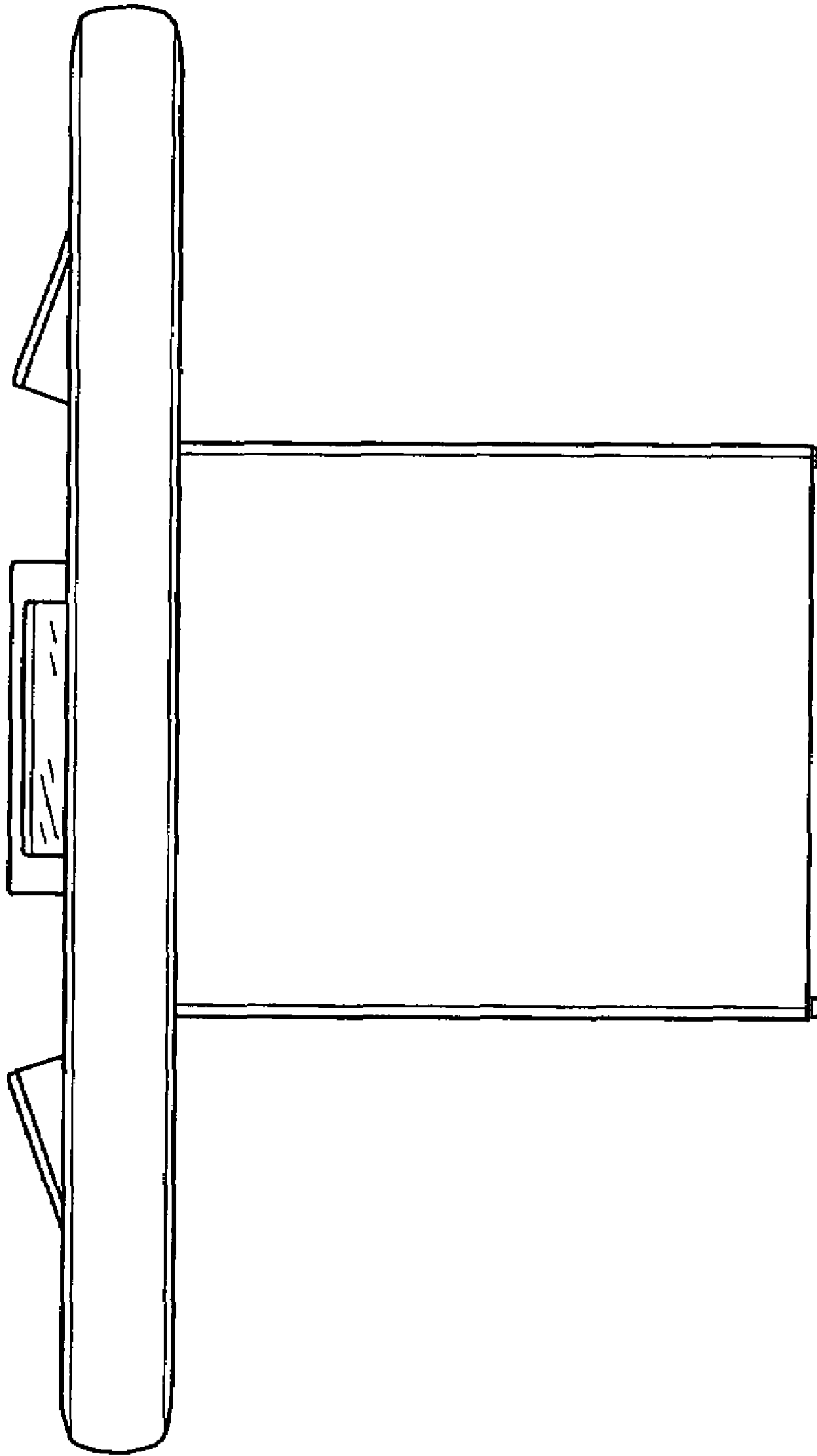


FIG. 5